



US00D645388S

(12) **United States Design Patent**  
**Kumai et al.**

(10) **Patent No.:** **US D645,388 S**

(45) **Date of Patent:** **\*\* Sep. 20, 2011**

(54) **DOOR FOR AN AUTOMOBILE**

(75) Inventors: **Yahiko Kumai**, Toyota (JP); **Daichi Kimura**, Toyota (JP)

(73) Assignee: **Toyota Jidosha Kabushiki Kaisha** (JP)

(\*\*) Term: **14 Years**

(21) Appl. No.: **29/381,497**

(22) Filed: **Dec. 20, 2010**

(51) **LOC (9) Cl.** ..... **12-16**

(52) **U.S. Cl.** ..... **D12/196**

(58) **Field of Classification Search** ..... D12/196,  
D12/90-92, 86; 296/181.1, 181.5  
See application file for complete search history.

(56) **References Cited**

**U.S. PATENT DOCUMENTS**

D508,004 S *	8/2005	Metros et al.	.....	D12/196
D580,331 S *	11/2008	Gueler et al.	.....	D12/196
D601,072 S *	9/2009	Giachin	.....	D12/196
D633,839 S *	3/2011	Matei et al.	.....	D12/196

**OTHER PUBLICATIONS**

Toyota, Vitz, Catalog of Toyota Vitz, published by Toyota Jidosha Kabushiki Kaisha, Feb. 2009.

\* cited by examiner

*Primary Examiner* — Melody N Brown

(74) *Attorney, Agent, or Firm* — SAIDMAN DesignLaw Group

(57) **CLAIM**

The ornamental design for a door for an automobile, as shown and described.

**DESCRIPTION**

FIG. 1 is a right, front perspective view of a door for an automobile showing our new design; FIG. 2 is a front view thereof; FIG. 3 is a rear view thereof; FIG. 4 is a top view thereof; FIG. 5 is a bottom view thereof; FIG. 6 is a right side view thereof; and, FIG. 7 is a left side view thereof.

**1 Claim, 2 Drawing Sheets**







FIG. 1

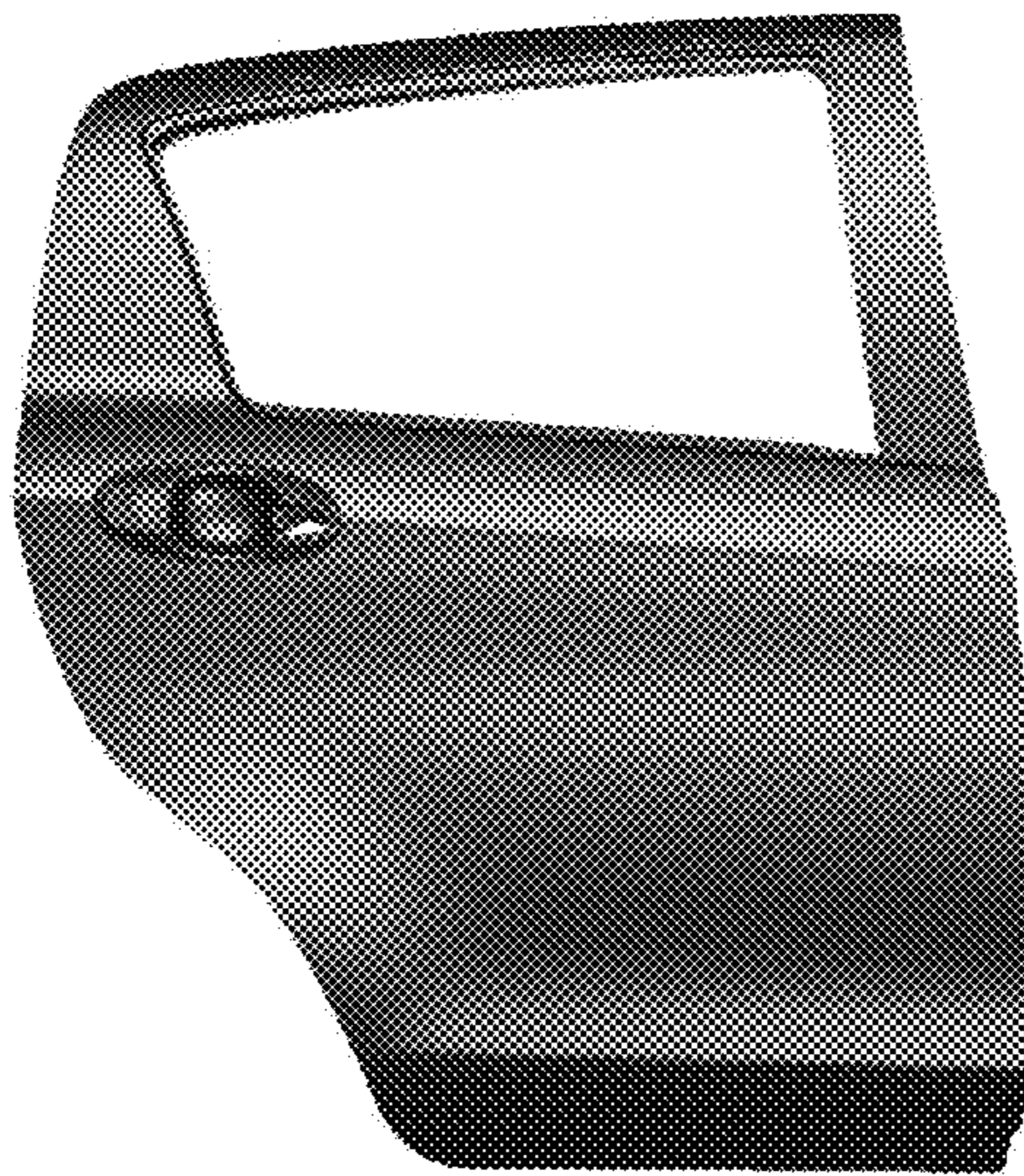


FIG. 2

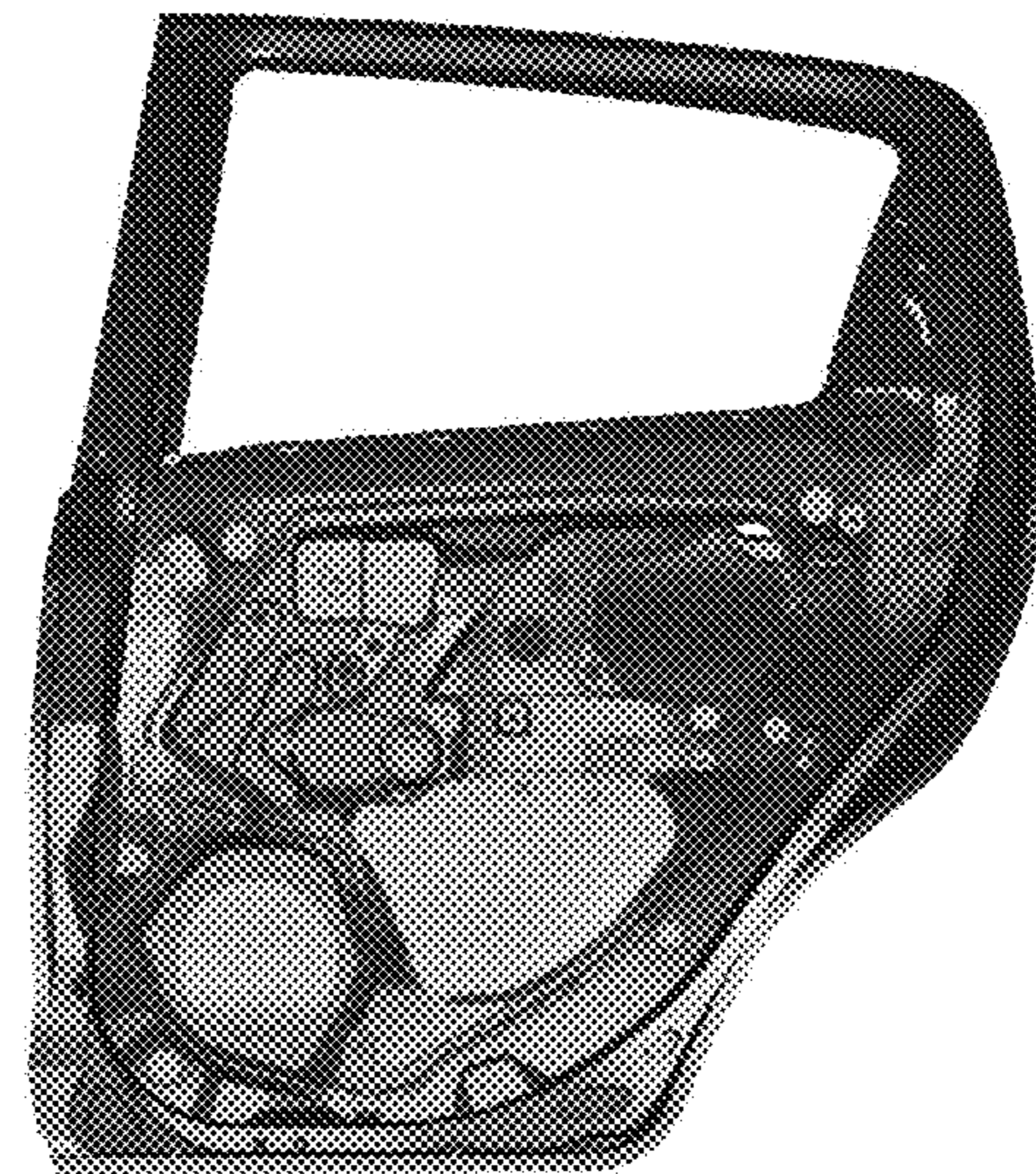
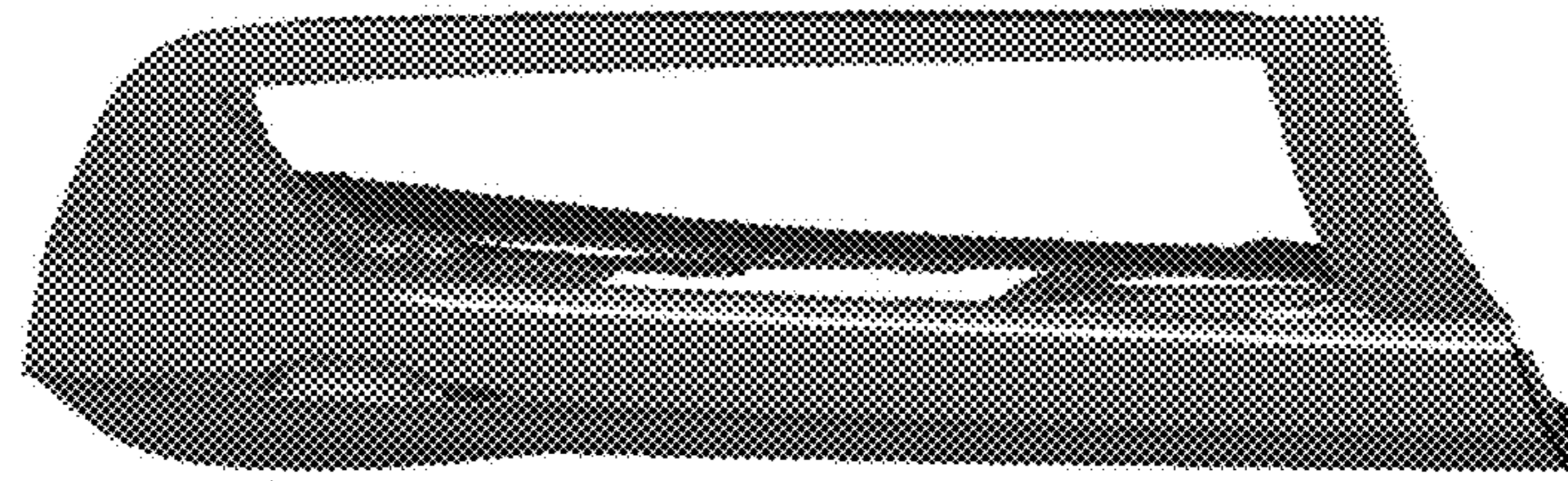
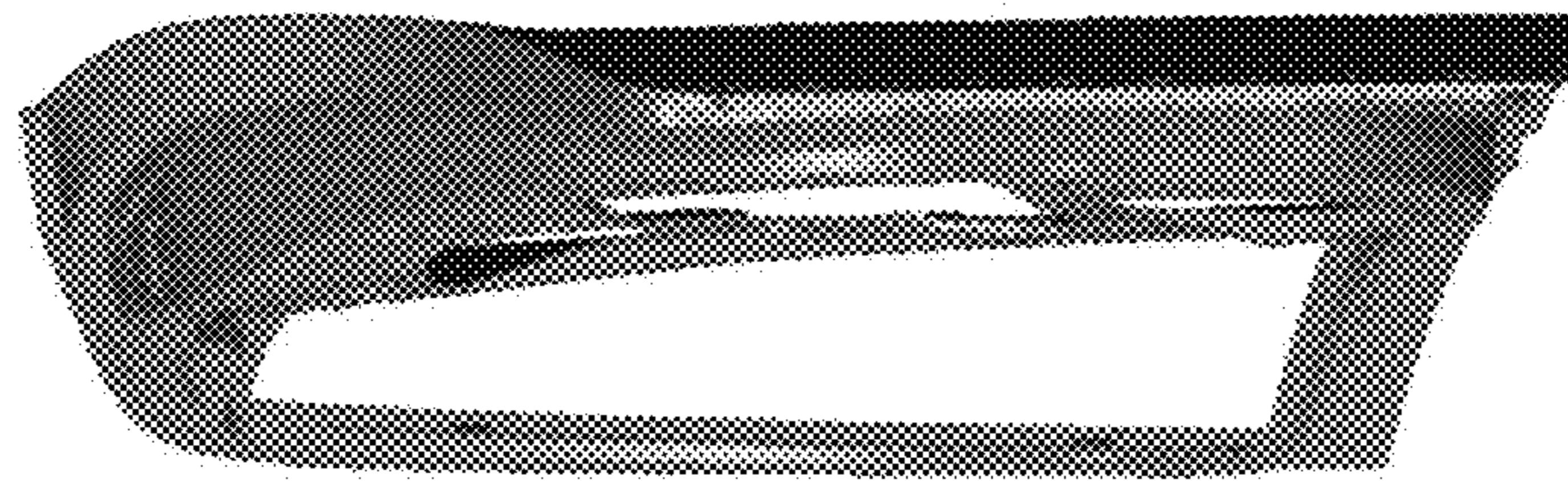


FIG. 3

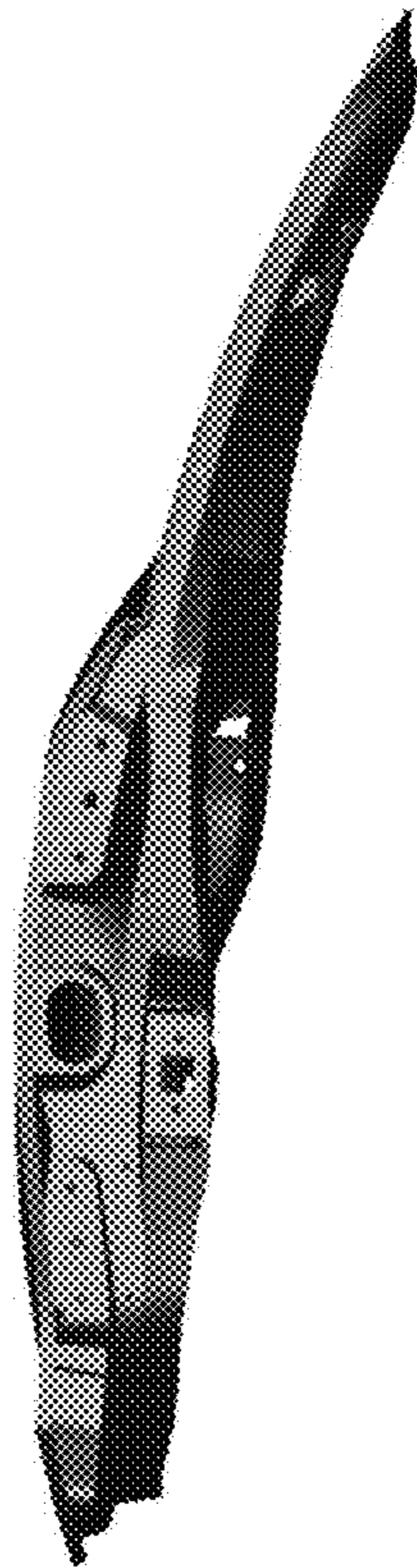




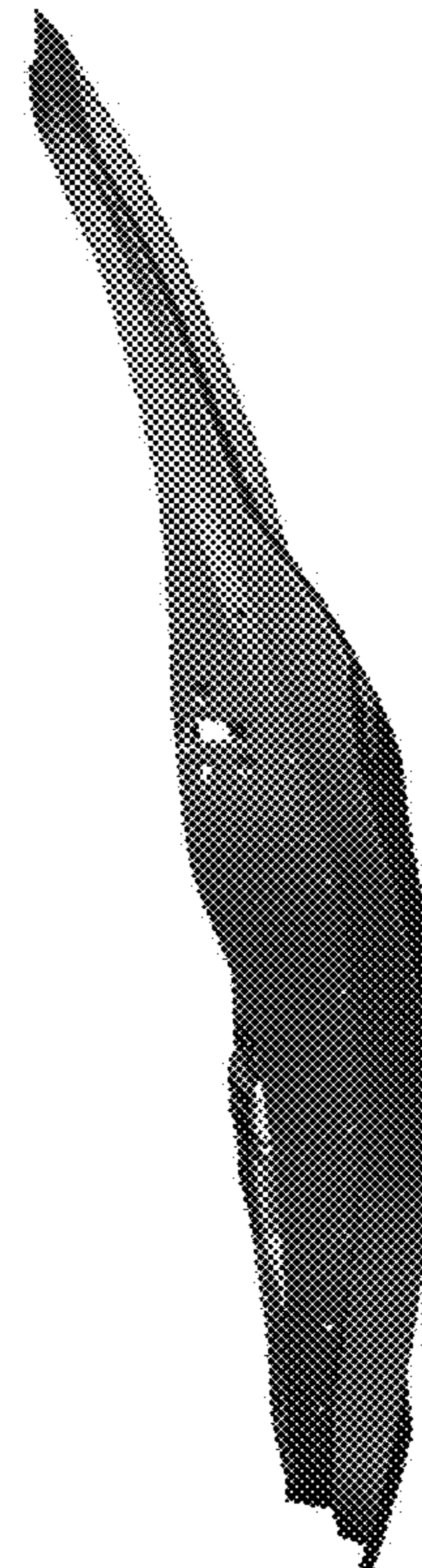
**FIG. 4**



**FIG. 5**



**FIG. 6**



**FIG. 7**