



US00D645381S

(12) **United States Design Patent**  
**Bricker et al.**

(10) **Patent No.:** **US D645,381 S**

(45) **Date of Patent:** **\*\* Sep. 20, 2011**

(54) **TRICYCLE**

(75) Inventors: **Jeffrey Bricker**, Chicago, IL (US); **Todd Herlitz**, Chicago, IL (US)

(73) Assignee: **Radio Flyer, Inc.**, Chicago, IL (US)

(\*\*) Term: **14 Years**

(21) Appl. No.: **29/368,365**

(22) Filed: **Aug. 23, 2010**

(51) **LOC (9) Cl.** ..... **12-11**

(52) **U.S. Cl.** ..... **D12/112**

(58) **Field of Classification Search** ..... D12/112,  
D12/113; D21/423, 432, 435, 538; 280/1.184,  
280/239, 755, 67, 259, 274-280, 281.1, 282-288,  
280/288.1-288.3, 827, 828; 446/431, 440,  
446/465, 470

See application file for complete search history.

(56) **References Cited**

**U.S. PATENT DOCUMENTS**

5,765,871 A \* 6/1998 Wyman et al. .... 280/282  
D480,024 S \* 9/2003 Gunter et al. .... D12/112

D480,665 S \* 10/2003 Gunter et al. .... D12/112  
D484,073 S \* 12/2003 Heinemann et al. .... D12/112  
D582,489 S \* 12/2008 Badanjo ..... D21/435

\* cited by examiner

*Primary Examiner* — Susan M Lee

*Assistant Examiner* — Linda G. Brooks

(74) *Attorney, Agent, or Firm* — R. Blake Johnston, Esq.;  
DLA Piper LLP (US)

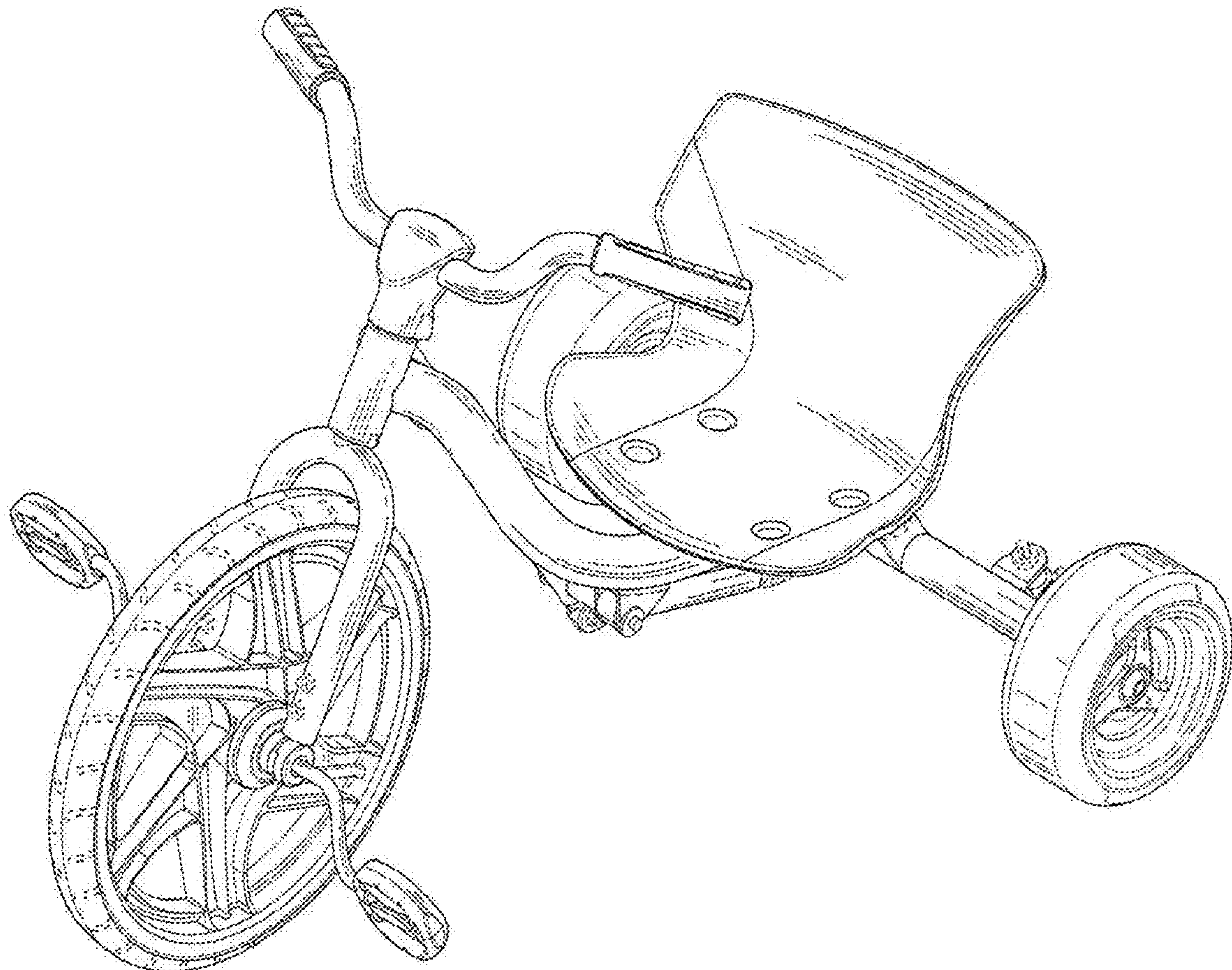
(57) **CLAIM**

The ornamental design for a tricycle, as shown and described.

**DESCRIPTION**

FIG. 1 is a perspective view of the tricycle;  
FIG. 2 is a right side elevational view of the tricycle;  
FIG. 3 is a left side elevational view of the tricycle;  
FIG. 4 is a front elevational view of the tricycle;  
FIG. 5 is a rear elevational view of the tricycle;  
FIG. 6 is a top plan view of the tricycle; and,  
FIG. 7 is a bottom plan view of the tricycle.  
The features shown in broken lines form no part of the  
claimed design.

**1 Claim, 5 Drawing Sheets**



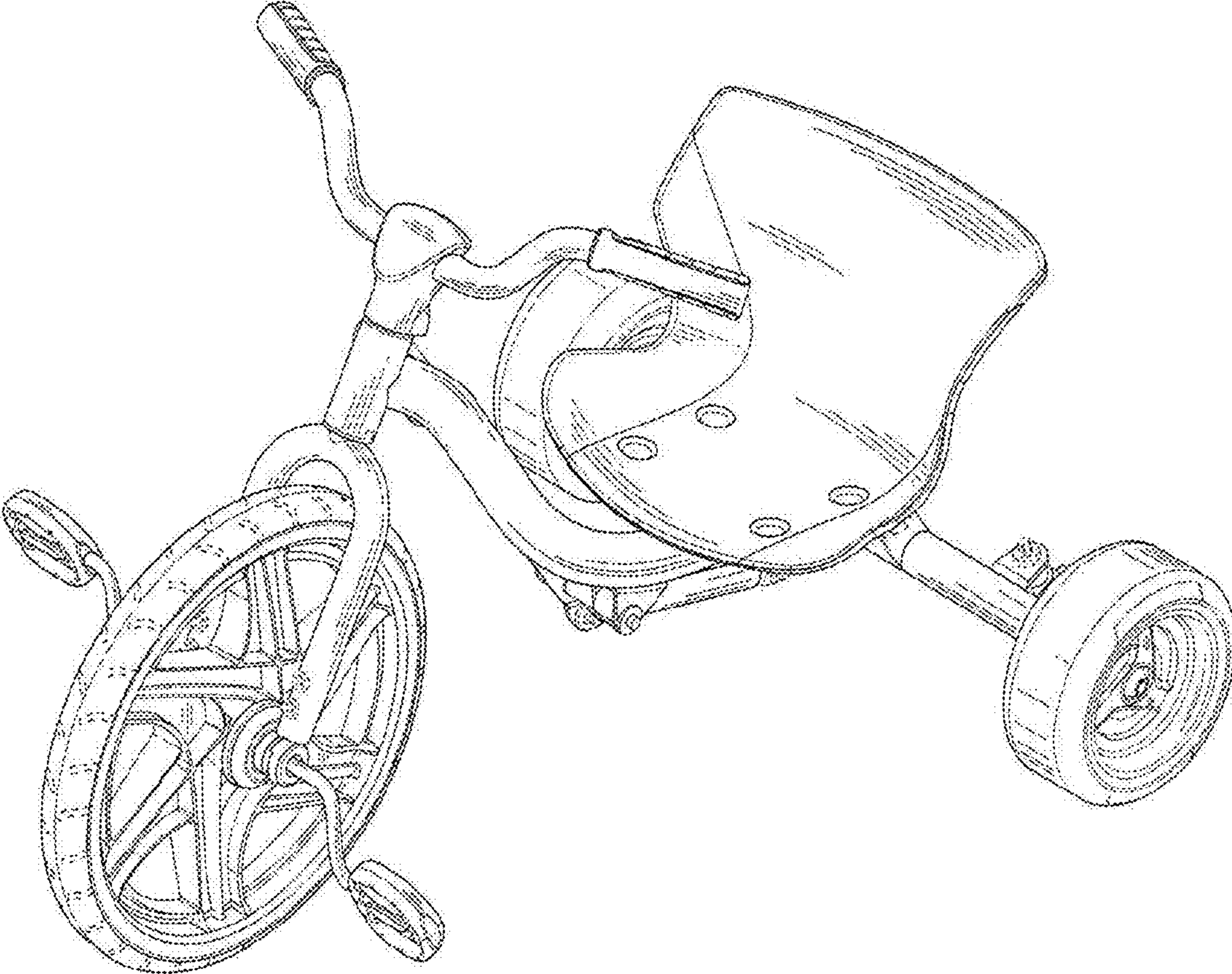


FIG. 1



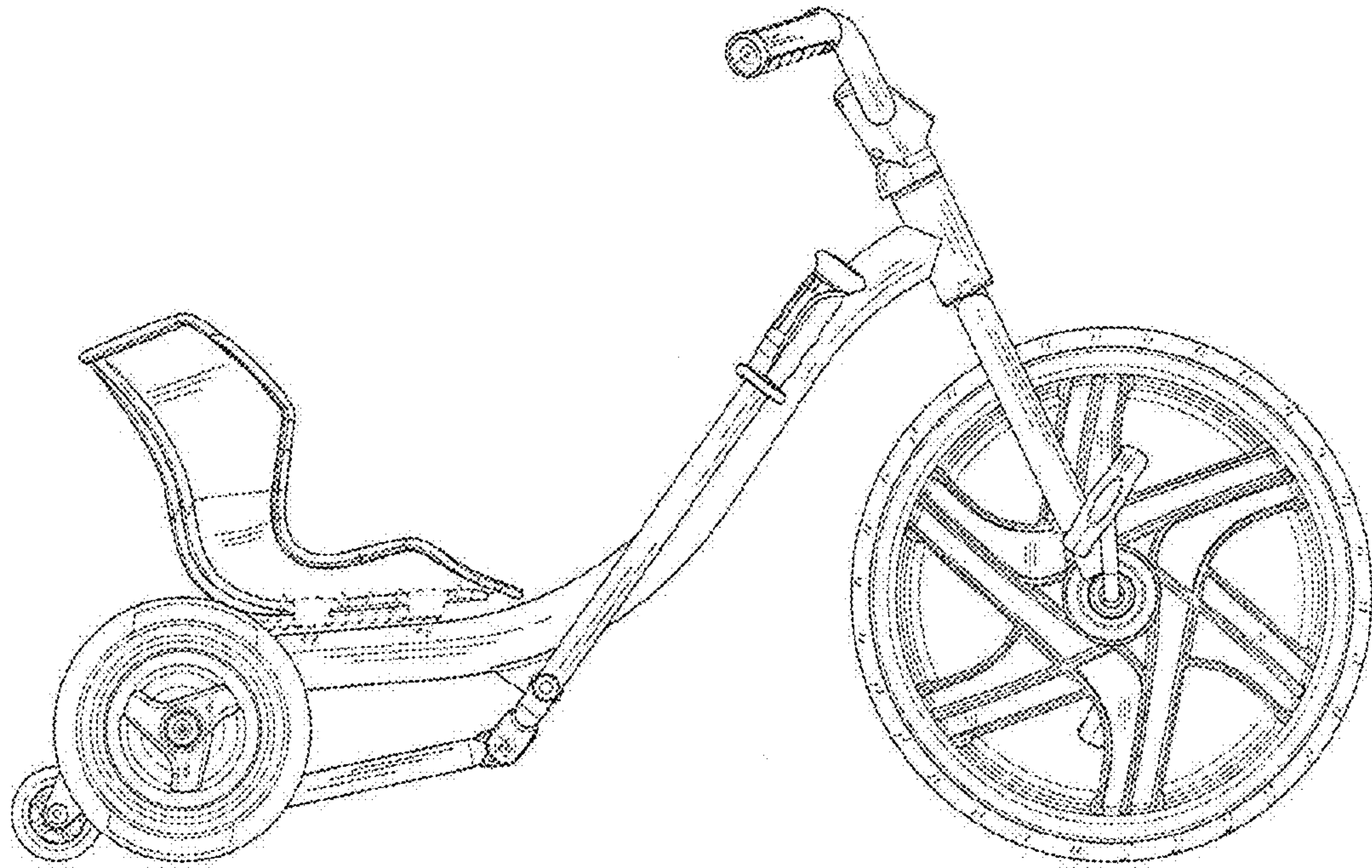


FIG. 2

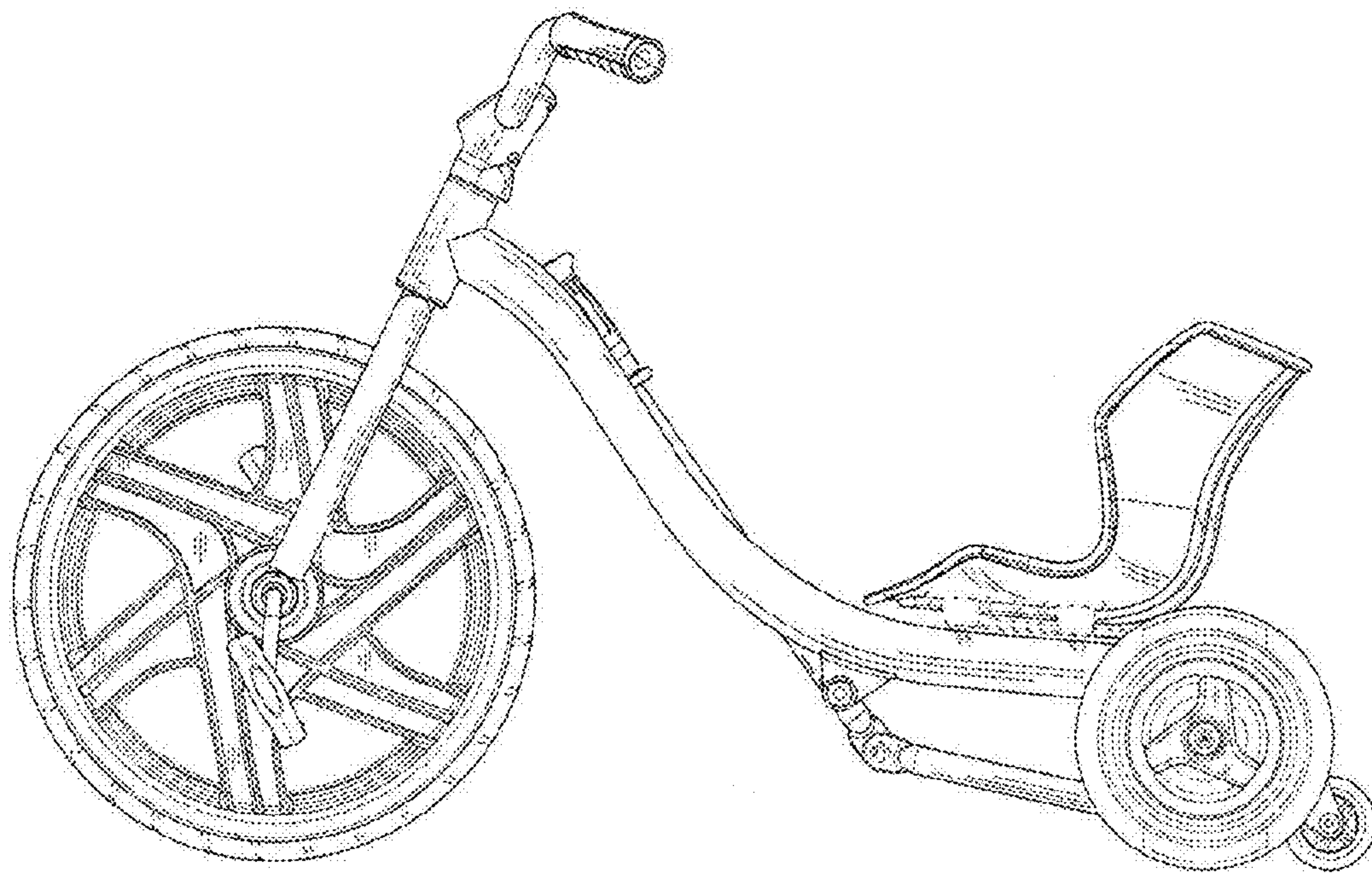


FIG. 3

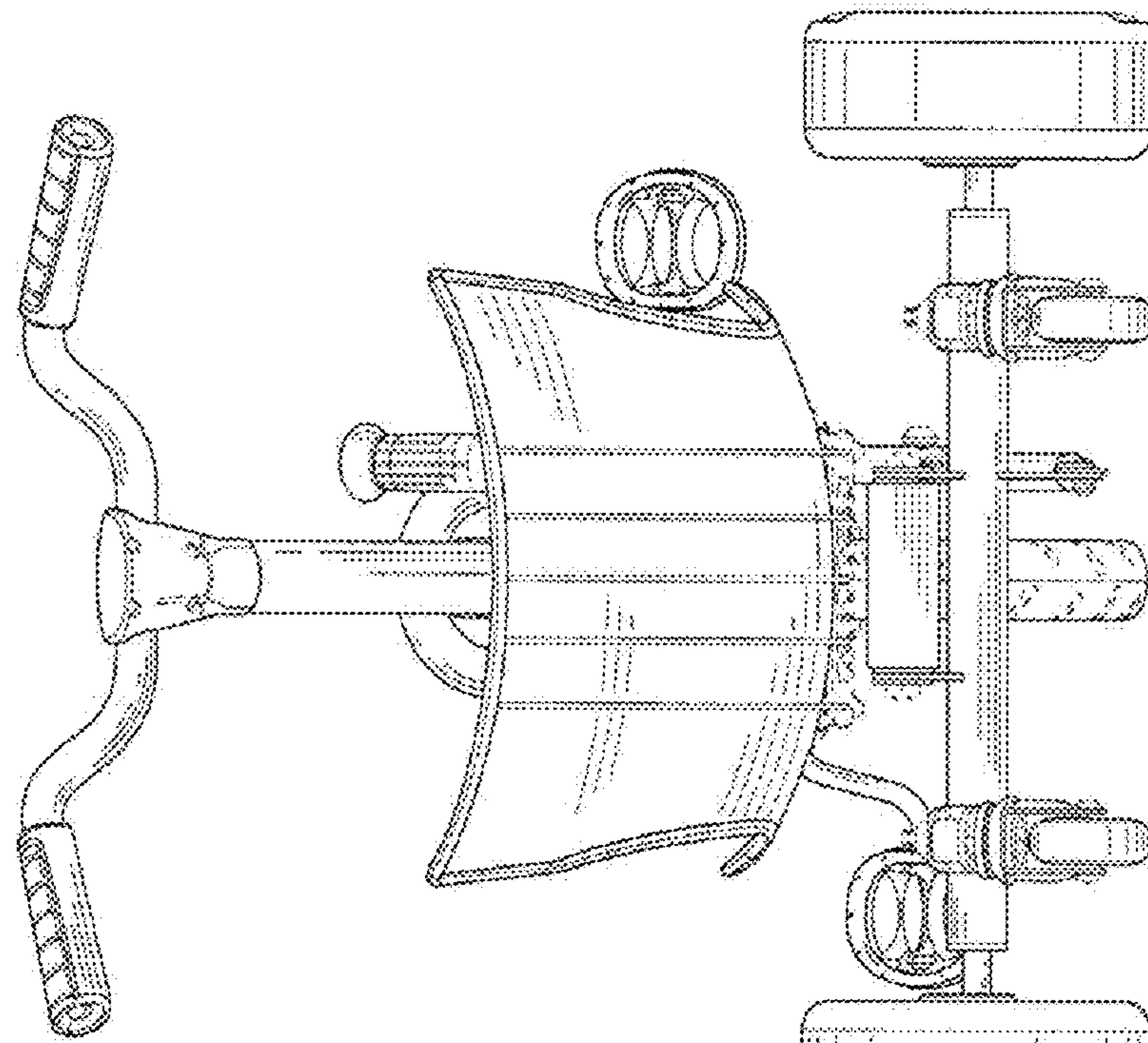


FIG. 4

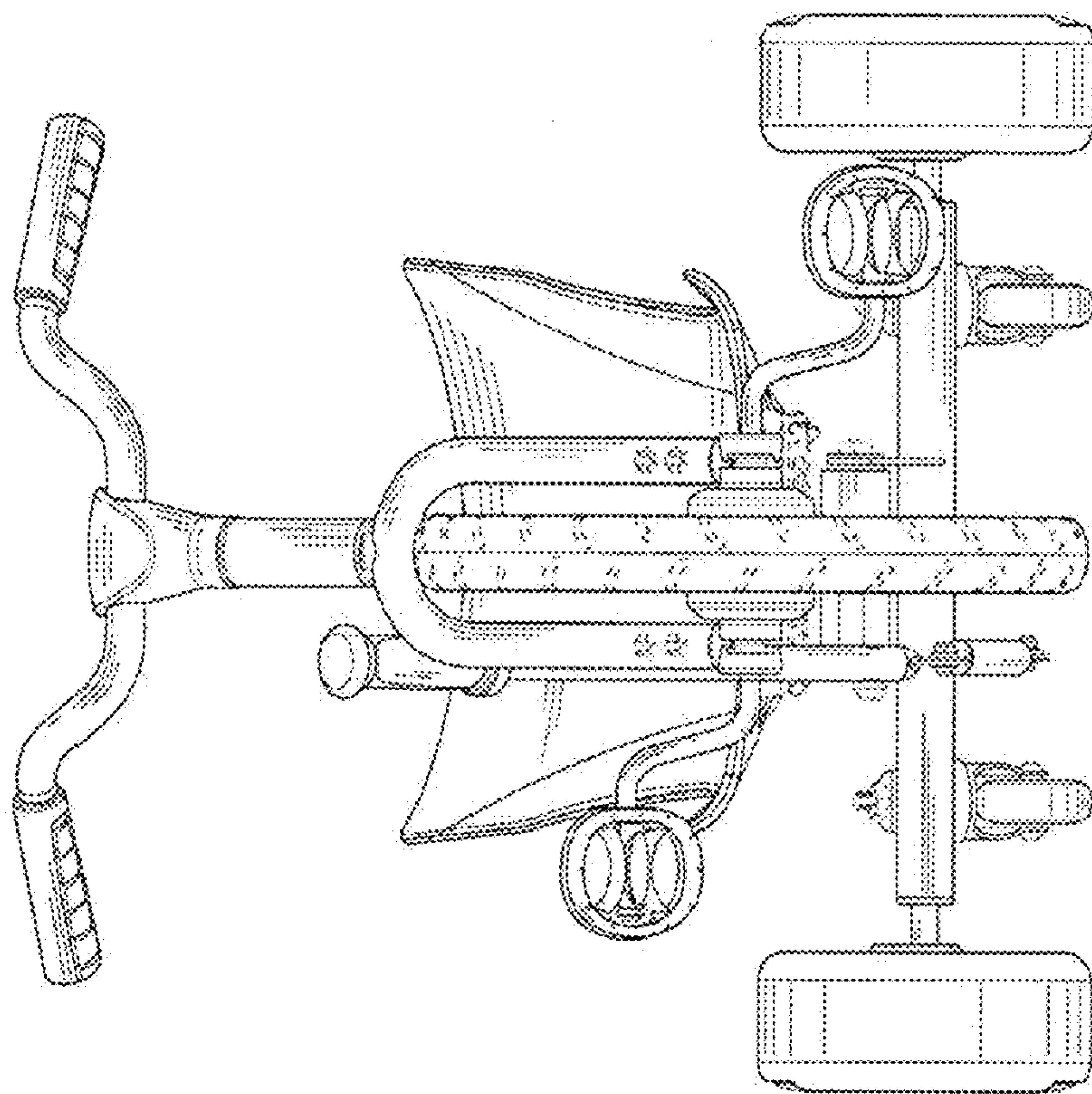


FIG. 5



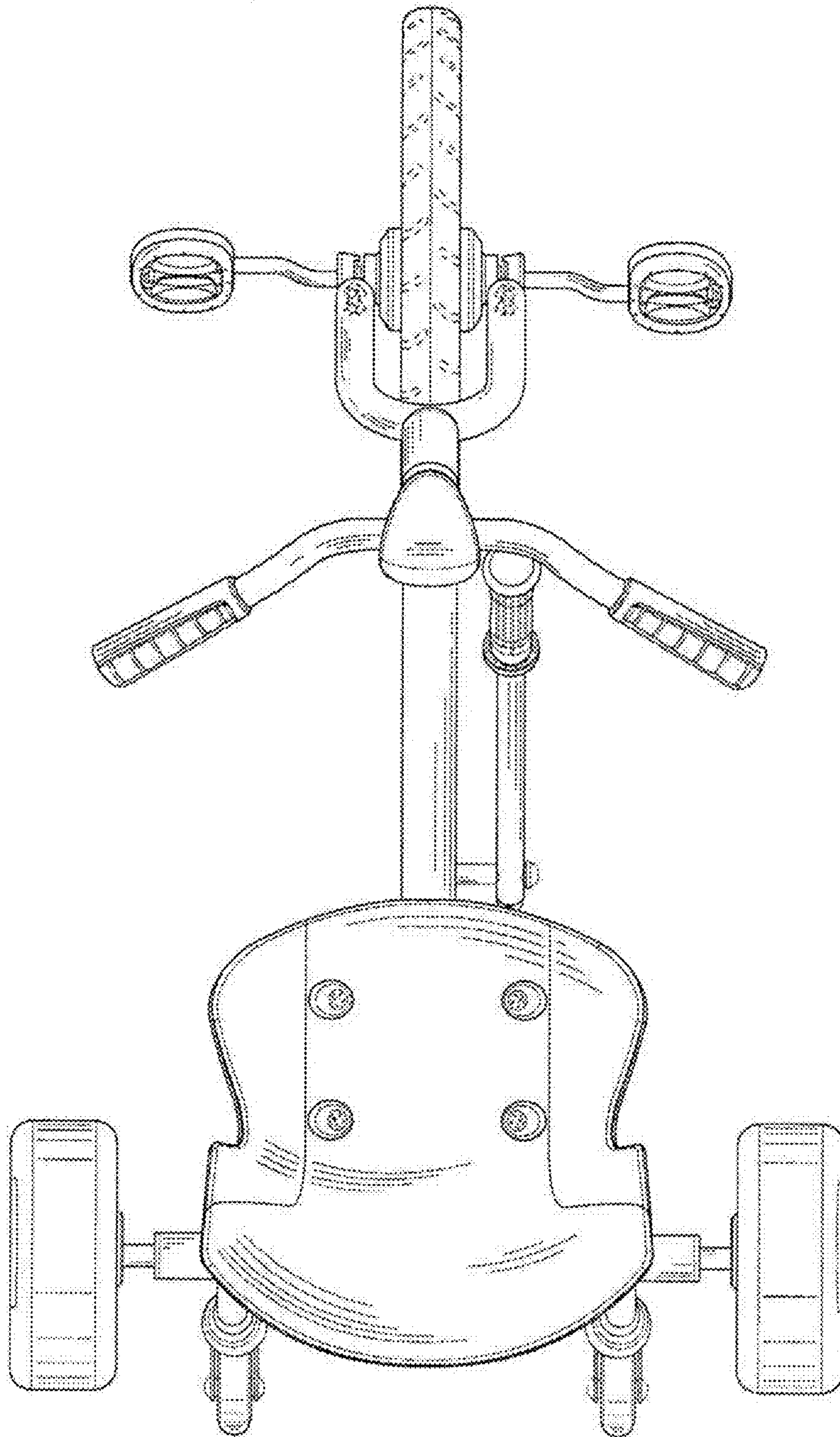


FIG. 6

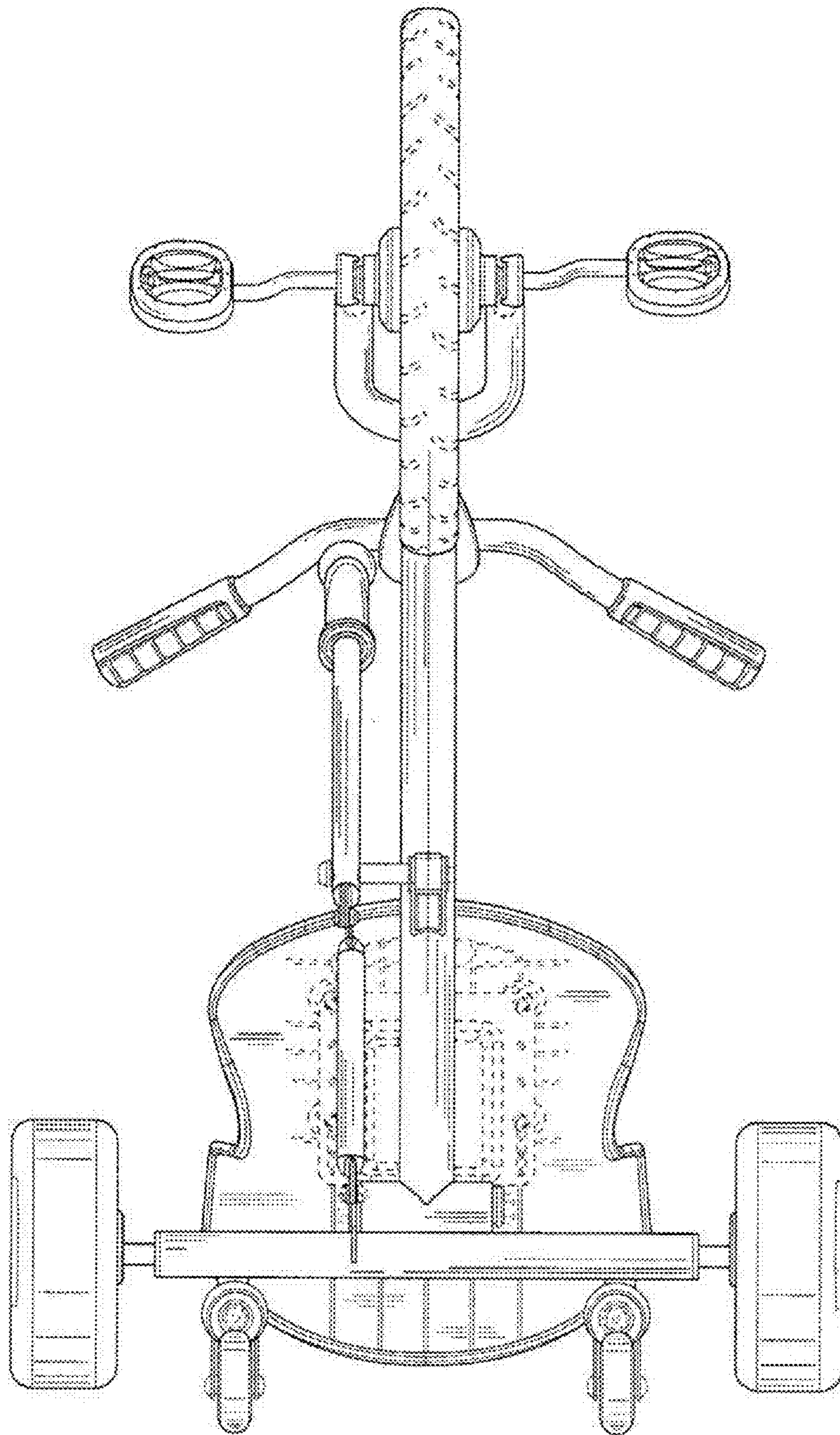


FIG. 7