



US00D645380S

(12) **United States Design Patent**
Beigel et al.

(10) **Patent No.:** **US D645,380 S**

(45) **Date of Patent:** **** Sep. 20, 2011**

(54) **TRUCK VEHICLE CAB**

(56)

References Cited

(75) Inventors: **David J. Beigel**, Payne, OH (US);
Marcey K. Collins, Fort Wayne, IN
(US); **Robert P. Scott**, Fort Wayne, IN
(US); **Joseph F. DeNatale**, Fort Wayne,
IN (US); **L. David Allendorph**, Fort
Wayne, IN (US); **Christopher Spurlin**,
Fort Wayne, IN (US); **Frederick**
William Dyer, Fort Wayne, IN (US);
Robert Scott Tirey, Fort Wayne, IN
(US); **Nicholas D. Lengacher**,
Woodburn, IN (US); **William Fairful**,
Rochester Hills, MI (US); **Dennis L.**
Griffith, Troy, MI (US)

U.S. PATENT DOCUMENTS

D442,890 S	5/2001	Beigel	
D444,737 S	7/2001	Allendorph et al.	
D445,361 S	7/2001	Tirey et al.	
D458,875 S	6/2002	Maier et al.	
D460,023 S	7/2002	Beigel	
D465,749 S	11/2002	Beigel	
D466,450 S	12/2002	Maier et al.	
D542,715 S	5/2007	Beigel et al.	
D558,643 S *	1/2008	Beigel et al. D12/96

* cited by examiner

Primary Examiner — Melody N Brown

(74) *Attorney, Agent, or Firm* — Jeffrey P. Calfa; Mark C. Bach; Gerald W. Askew

(73) Assignee: **International Truck Intellectual Property Company, LLC**, Warrenville, IL (US)

(57)

CLAIM

The ornamental design for a truck vehicle cab, as shown and described.

(**) Term: **14 Years**

DESCRIPTION

(21) Appl. No.: **29/384,294**

(22) Filed: **Jan. 28, 2011**

(51) **LOC (9) Cl.** **12-16**

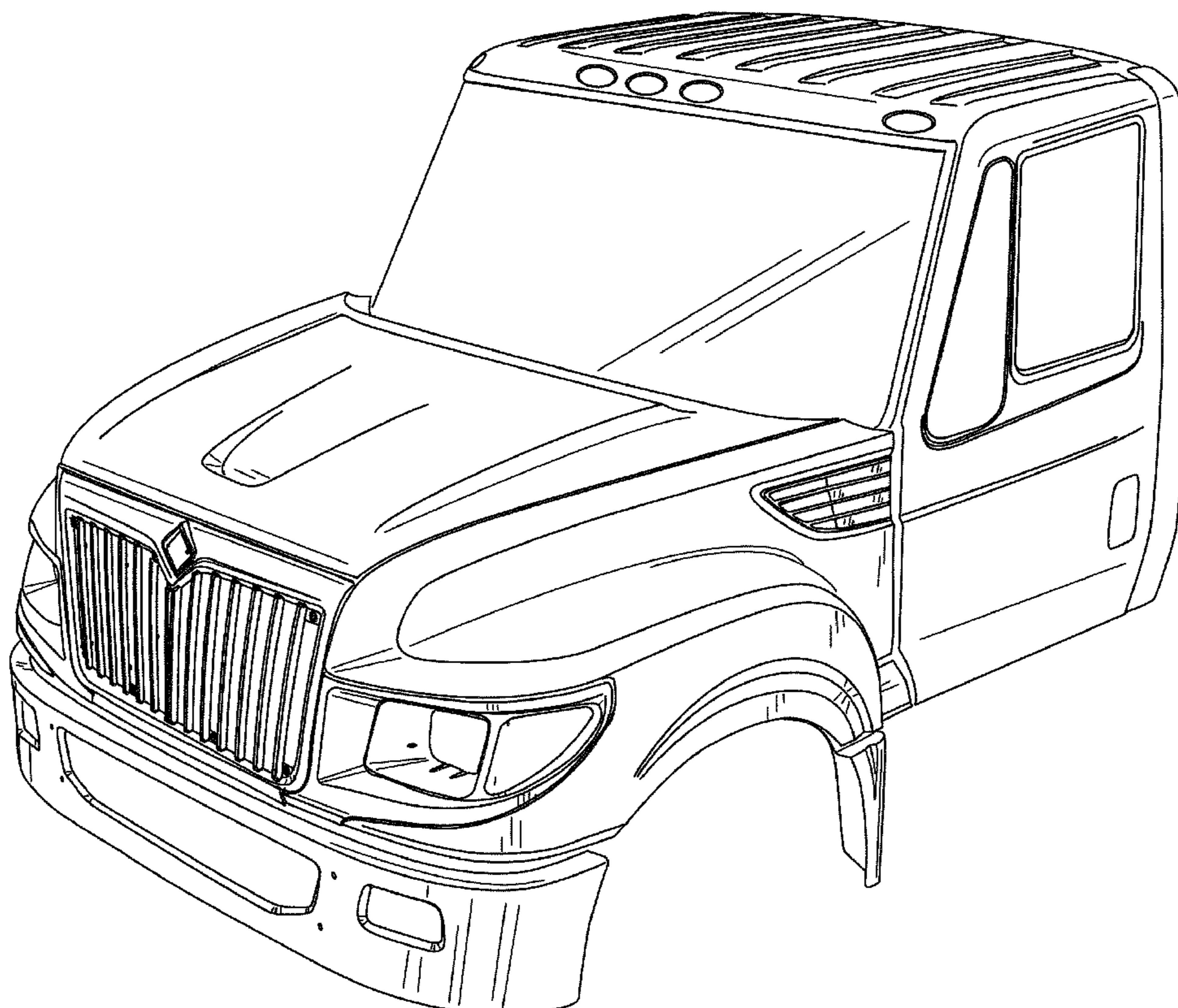
(52) **U.S. Cl.** **D12/96; D12/93**

(58) **Field of Classification Search** D12/93,
D12/96, 97, 99; D21/424, 434, 581; 180/89.16,
180/89.18, 89.19; 296/183.1

FIG. 1 is a front and left side perspective view of a truck vehicle cab showing our new design;
FIG. 2 is a left side elevation view thereof, the right side being a mirror image thereof;
FIG. 3 is a front elevation view thereof; and,
FIG. 4 is a top plan view thereof.

See application file for complete search history.

1 Claim, 4 Drawing Sheets



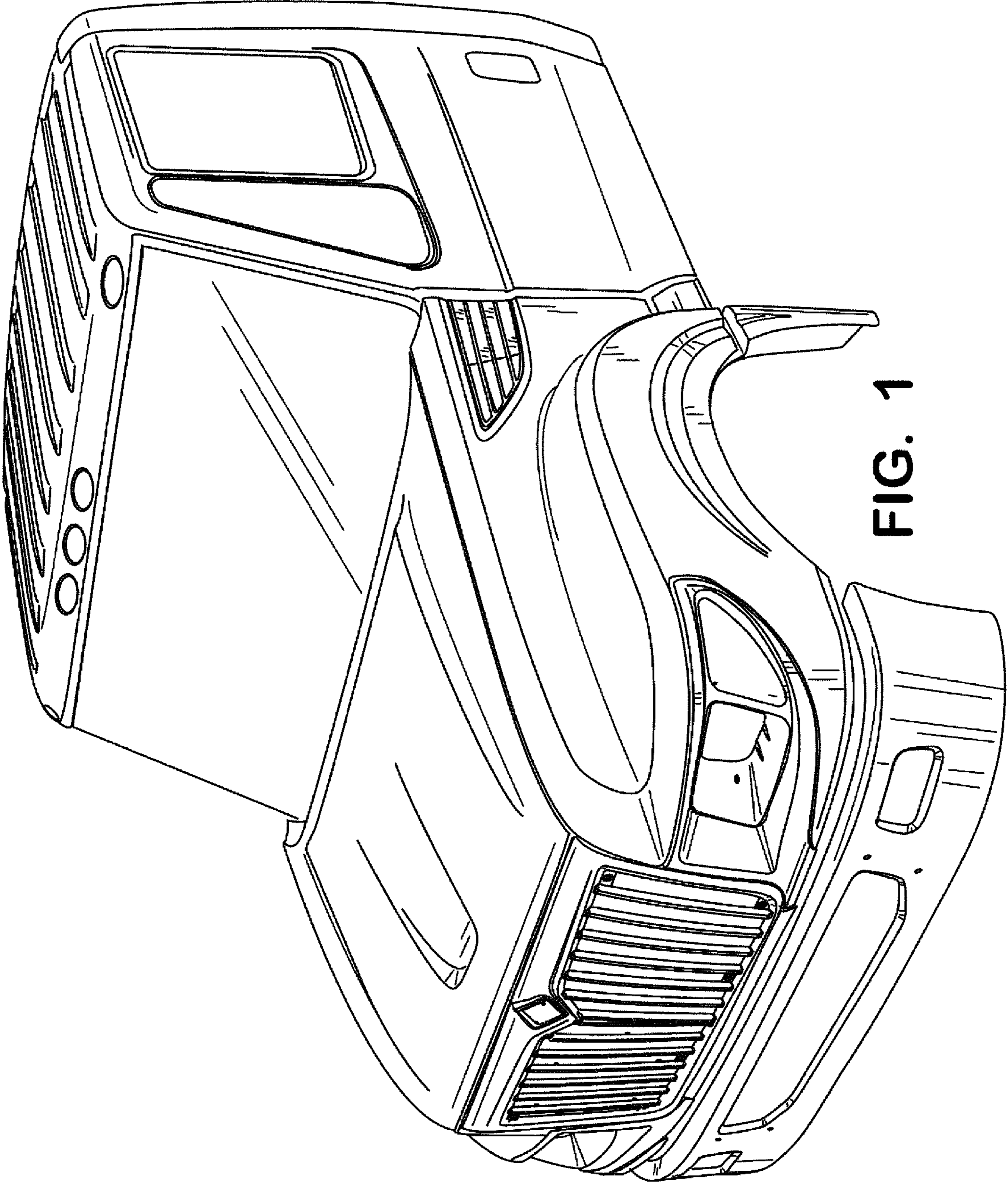


FIG. 1

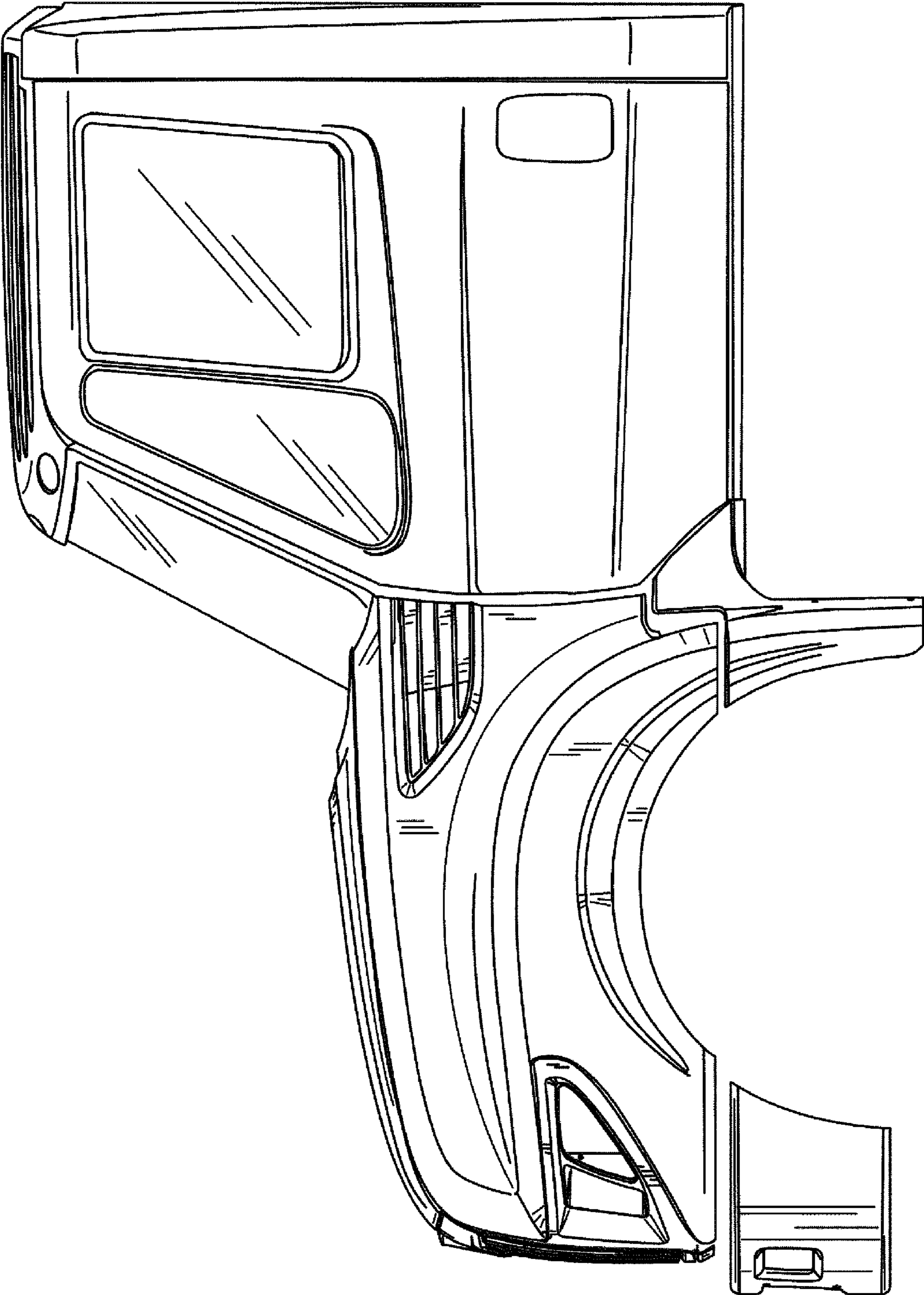


FIG. 2

FIG. 3

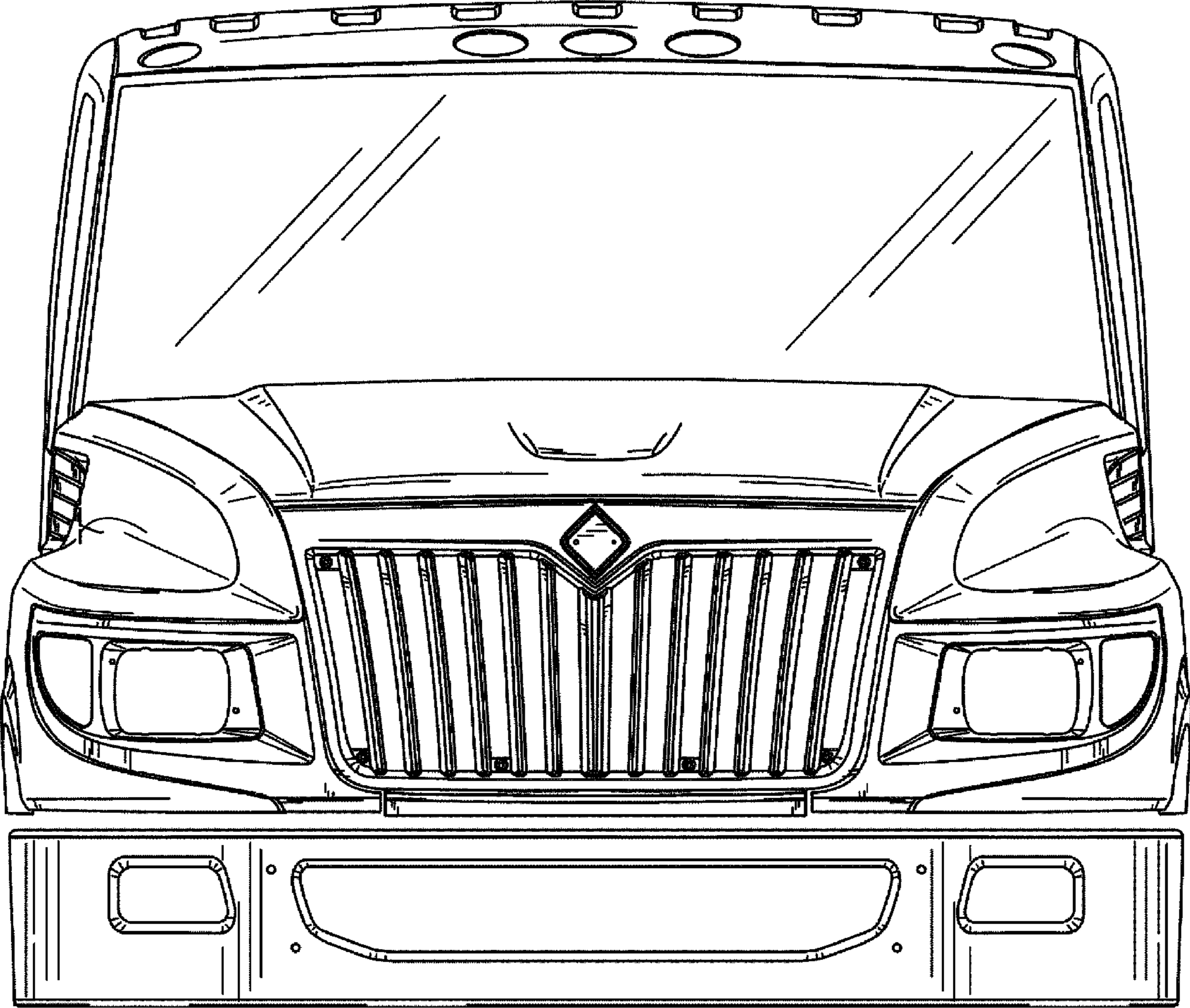


FIG. 4

