



US00D645377S

(12) **United States Design Patent**
Breard et al.

(10) **Patent No.:** **US D645,377 S**

(45) **Date of Patent:** **** Sep. 20, 2011**

(54) **JEWELRY FINDING**

(75) Inventors: **Gregory Breard**, Foster, RI (US);
Anthony Squillacci, Foster, RI (US)

(73) Assignee: **APAC Tool, Inc.**, North Providence, RI (US)

(**) Term: **14 Years**

(21) Appl. No.: **29/334,548**

(22) Filed: **Mar. 27, 2009**

(51) **LOC (9) Cl.** **11-01**

(52) **U.S. Cl.** **D11/43; D11/7**

(58) **Field of Classification Search** D11/40,
D11/41, 43, 37, 75, 76, 79, 7, 44, 45
See application file for complete search history.

D570,724 S * 6/2008 Kittelsen D11/80
D571,044 S * 6/2008 Conte et al. D28/66
D585,276 S * 1/2009 Hsu D9/444
D586,253 S * 2/2009 Forster, Jr. D11/80
D606,447 S * 12/2009 West et al. D11/80
D613,292 S * 4/2010 Carver D14/432

* cited by examiner

Primary Examiner — Celia Murphy

Assistant Examiner — John Windmuller

(74) *Attorney, Agent, or Firm* — Barlow, Josephs & Holmes, Ltd.

(57) **CLAIM**

The ornamental design for a jewelry finding, as shown and described.

(56) **References Cited**

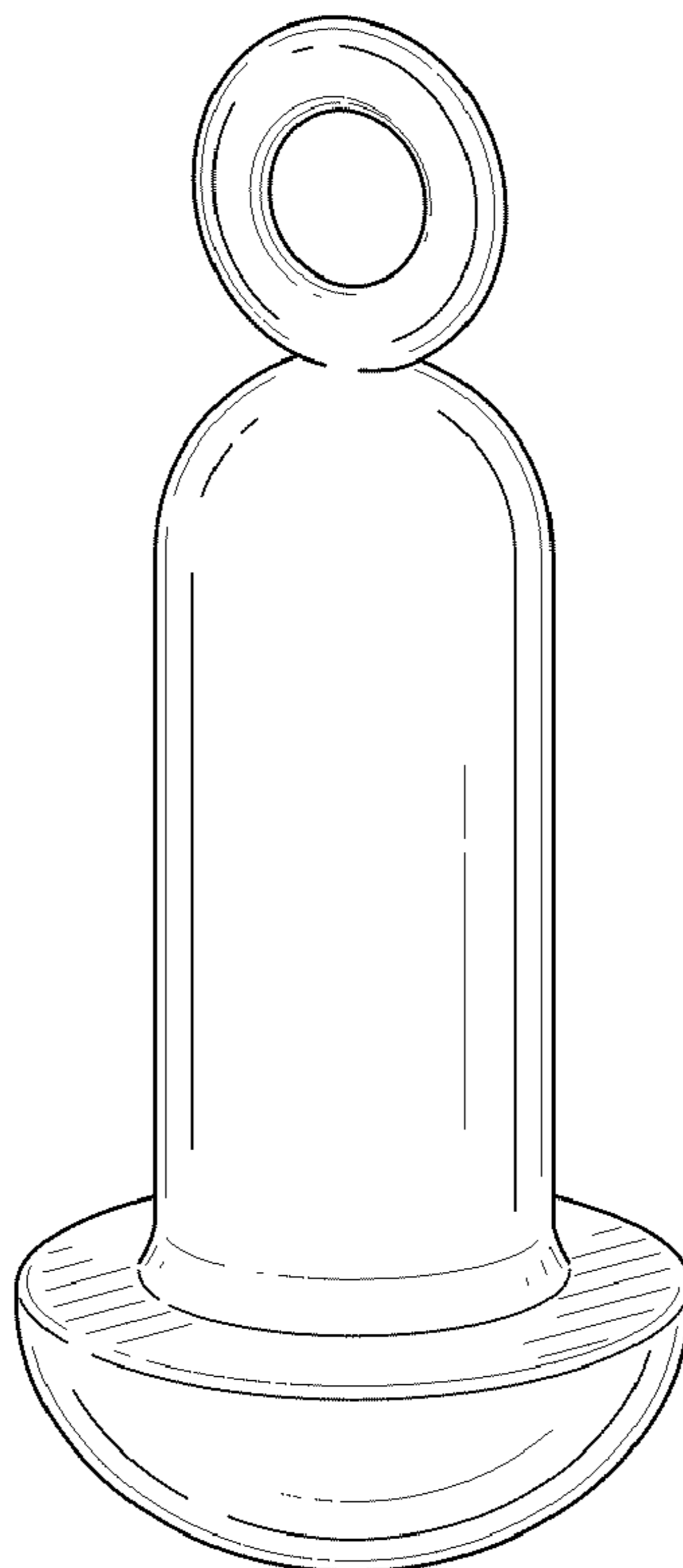
U.S. PATENT DOCUMENTS

D1,963 S *	6/1864	Varrau	D11/79
D13,399 S *	11/1882	Lederer	D11/79
465,939 A *	12/1891	Marvin	16/442
D56,493 S *	11/1920	Breen	D26/1
1,557,622 A *	10/1925	Shapiro	16/442
D96,489 S *	8/1935	Lorentzen	D6/581
D176,293 S *	12/1955	Vredenburg	D11/79
D305,006 S *	12/1989	Nunes	D11/81
D361,507 S *	8/1995	Langemann	D3/201
D476,223 S *	6/2003	Vito	D8/499
D566,698 S *	4/2008	Choi et al.	D14/240

DESCRIPTION

FIG. 1 is a perspective view of the jewelry finding in accordance with the present invention;
FIG. 2 is a front view thereof;
FIG. 3 is a right side view thereof;
FIG. 4 is a rear view thereof;
FIG. 5 is a left side view thereof;
FIG. 6 is a top view thereof; and,
FIG. 7 is a bottom view thereof.

1 Claim, 4 Drawing Sheets



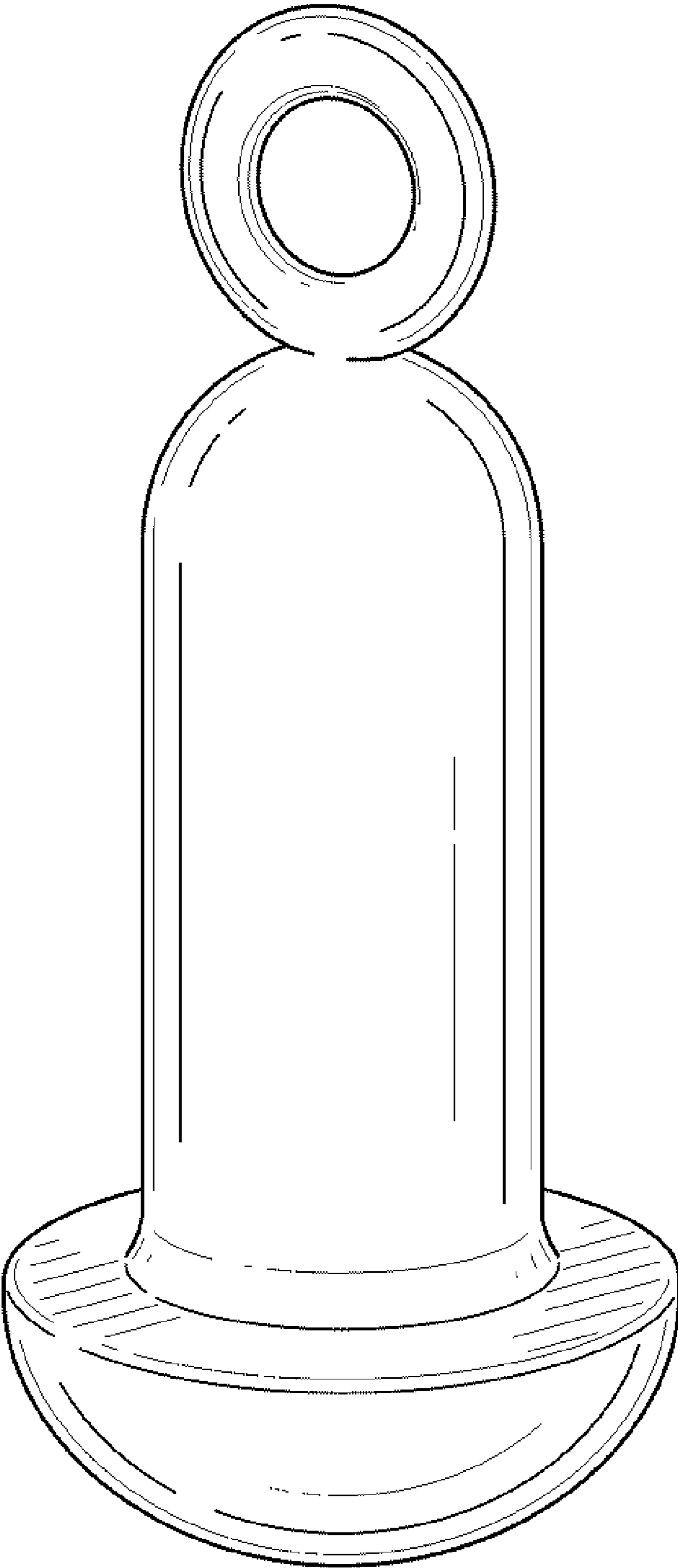


FIG. 1

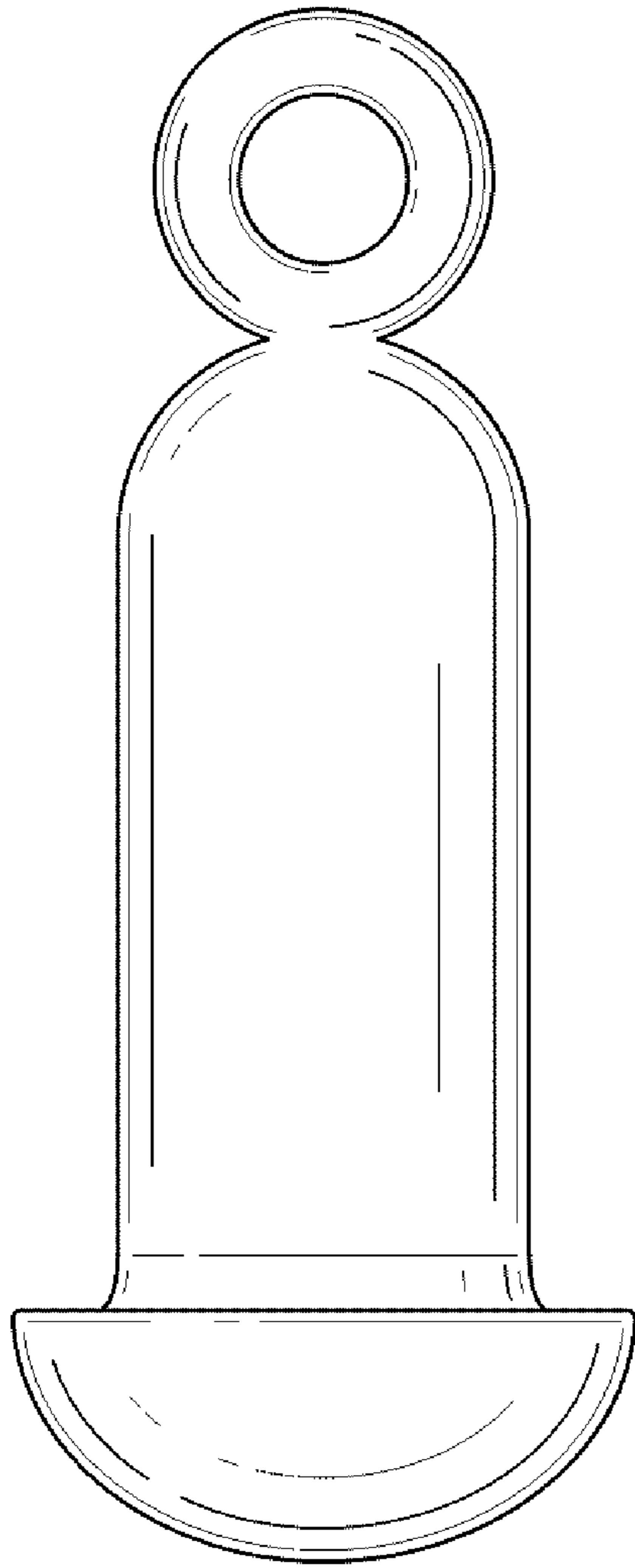


FIG. 2

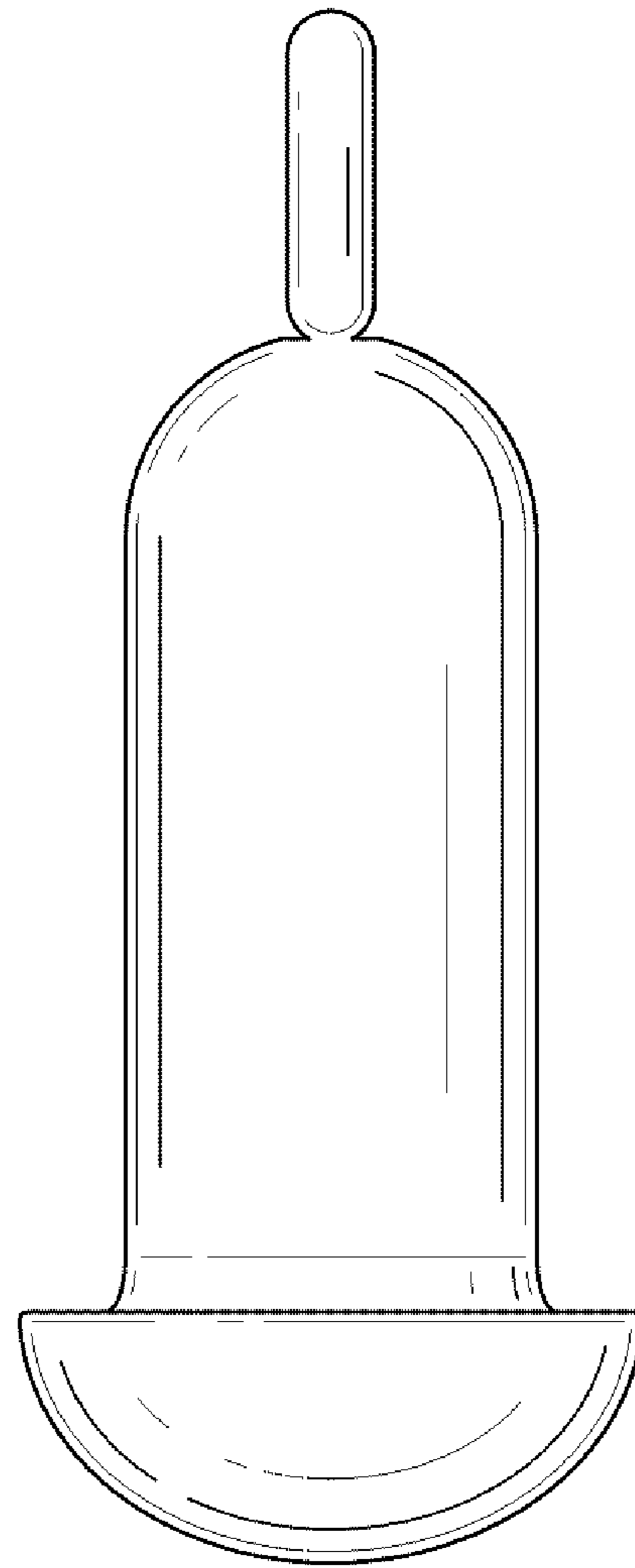


FIG. 3

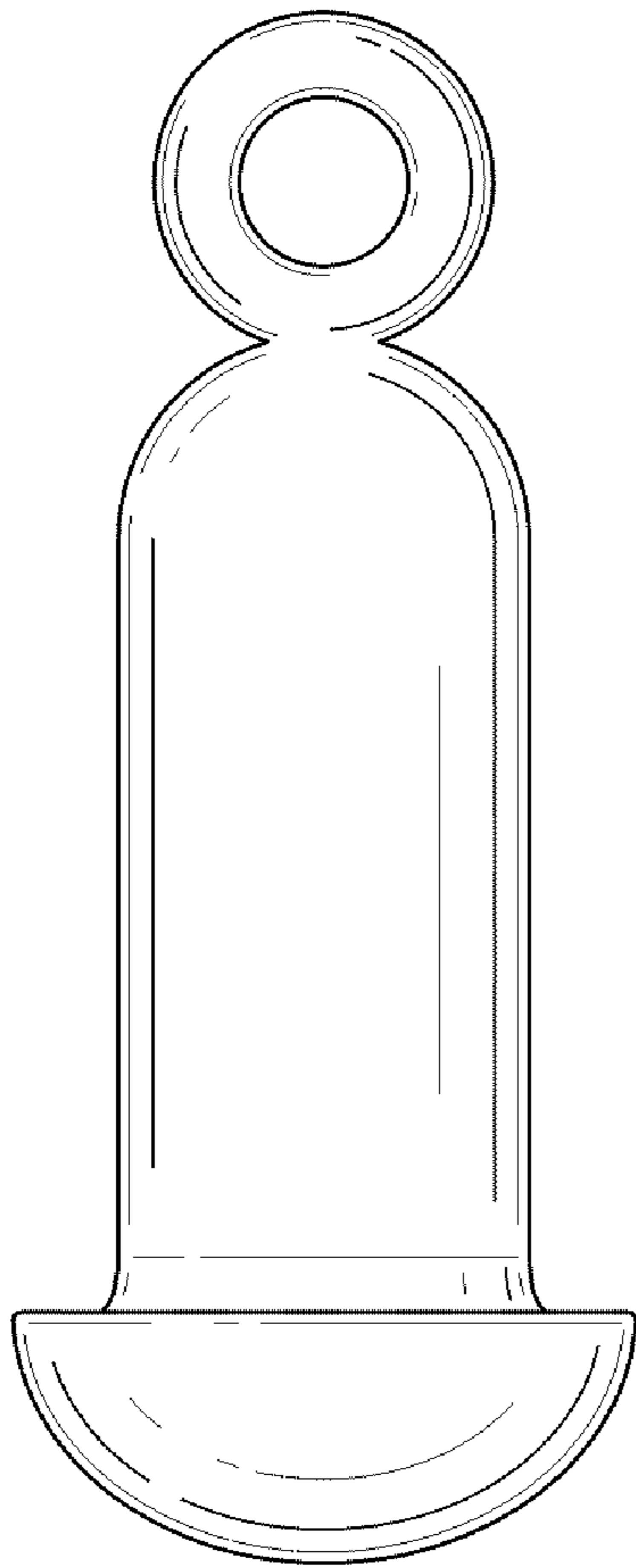


FIG. 4

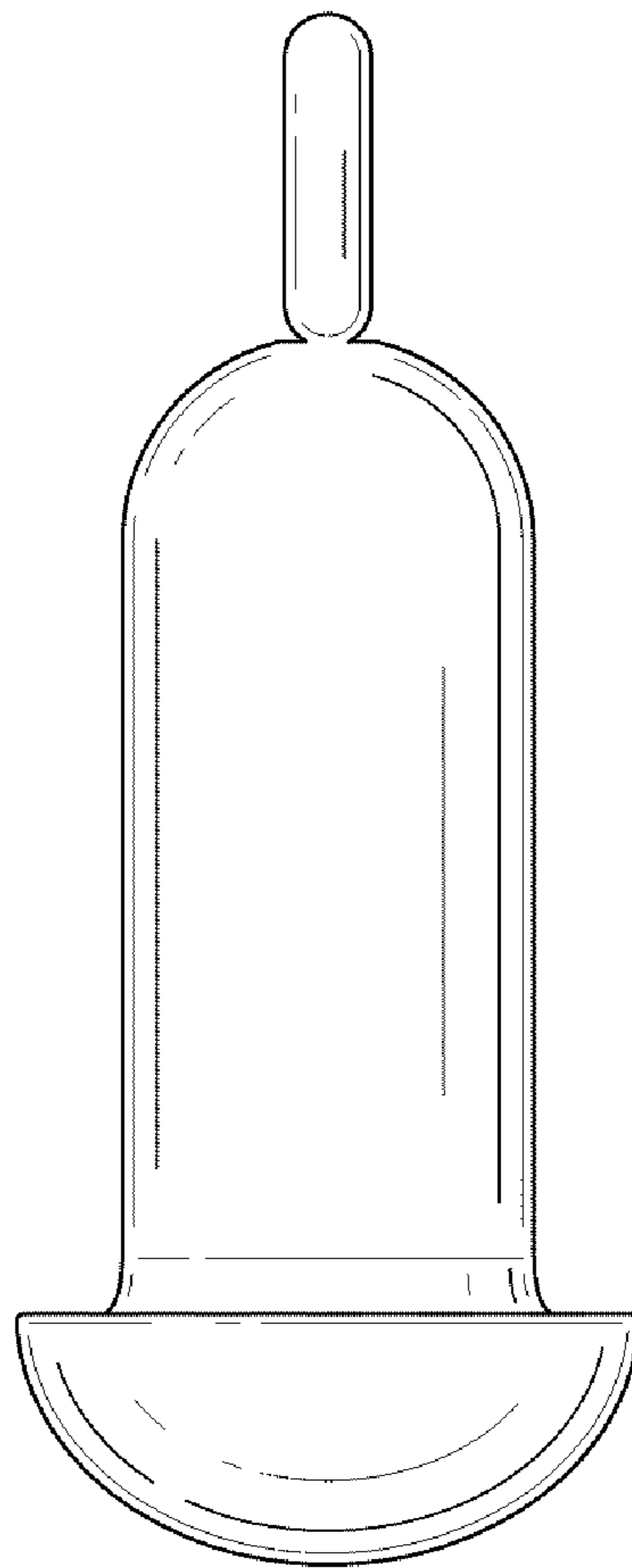


FIG. 5

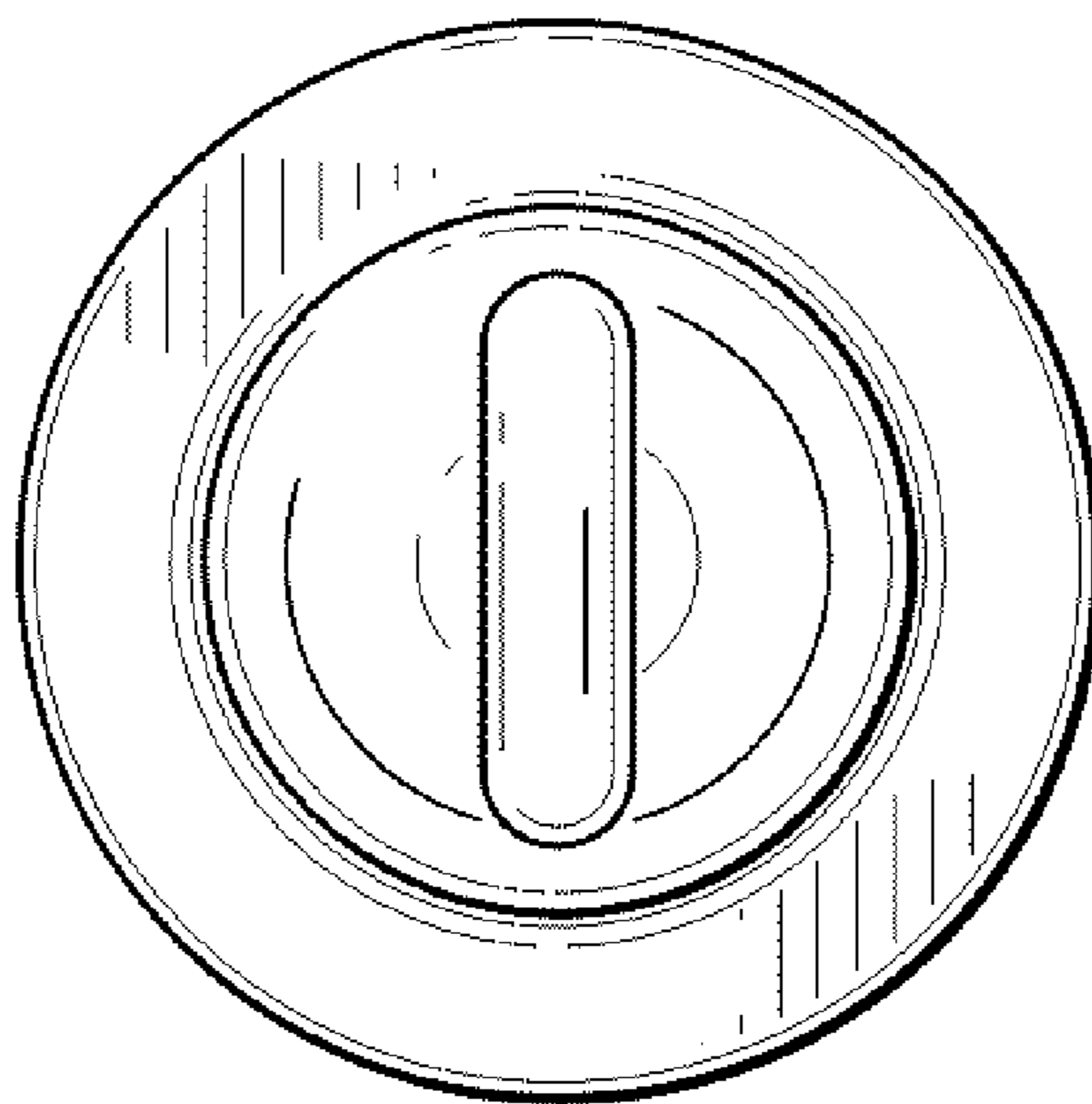


FIG. 6

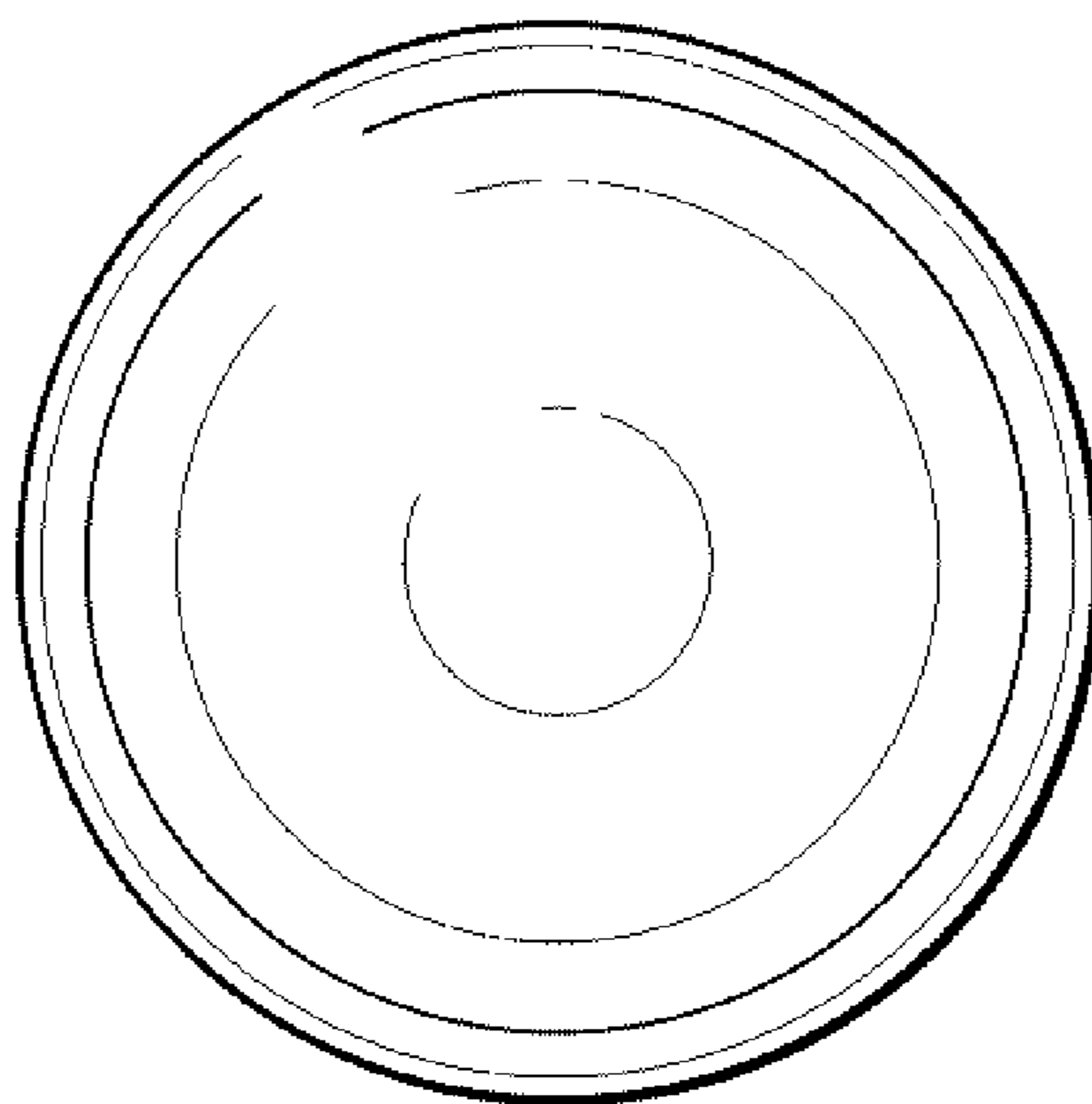


FIG. 7