



US00D645376S

(12) **United States Design Patent**
Bulgari

(10) **Patent No.:** **US D645,376 S**

(45) **Date of Patent:** **** Sep. 20, 2011**

(54) **CUFF BRACELET**

(75) Inventor: **Paolo Bulgari**, Rome (IT)

(73) Assignee: **BULGARI S.p.A.**, Rome (IT)

(**) Term: **14 Years**

(21) Appl. No.: **29/388,605**

(22) Filed: **Mar. 31, 2011**

(30) **Foreign Application Priority Data**

Oct. 21, 2010 (WO) DM/074 618

(51) **LOC (9) Cl.** **11-01**

(52) **U.S. Cl.** **D11/4**

(58) **Field of Classification Search** D11/1-25,
D11/26-39; 63/12, 13, 14, 3, 3.1, 3.2, 4,
63/5.1, 5.2, 6

See application file for complete search history.

(56) **References Cited**

U.S. PATENT DOCUMENTS

D454,808 S * 3/2002 Hill D11/4

D458,180 S * 6/2002 Tschetter D11/4

D514,467 S * 2/2006 Della Valle D11/4

D538,695 S * 3/2007 Bulgari D11/26

D543,888 S * 6/2007 Bulgari D11/79

D567,131 S * 4/2008 Bulgari D11/37

D567,132 S * 4/2008 Bulgari D11/43

D632,201 S * 2/2011 Paradis D11/3

* cited by examiner

Primary Examiner — Cathron Brooks

Assistant Examiner — Melanie Levy

(74) *Attorney, Agent, or Firm* — Reising Ethington P.C.

(57) **CLAIM**

The ornamental design for a cuff bracelet, as shown and described.

DESCRIPTION

FIG. 1 shows a perspective view of the cuff bracelet;

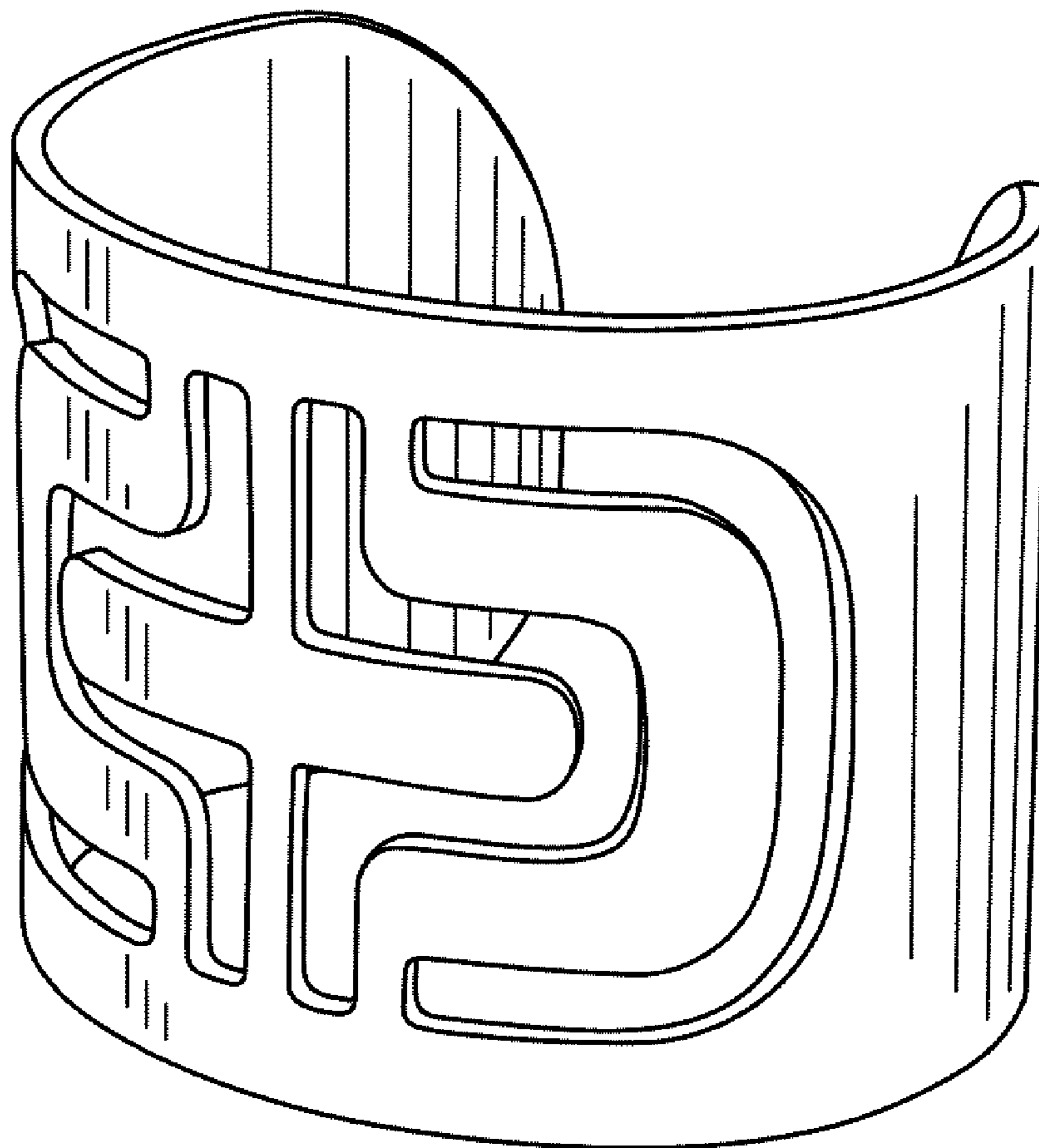
FIG. 2 shows a front view of the cuff bracelet;

FIG. 3 shows a right side view of the cuff bracelet, the left side view being the same;

FIG. 4 shows a bottom view of the cuff bracelet, the top view being the same; and,

FIG. 5 shows a rear side view of the cuff bracelet.

1 Claim, 1 Drawing Sheet



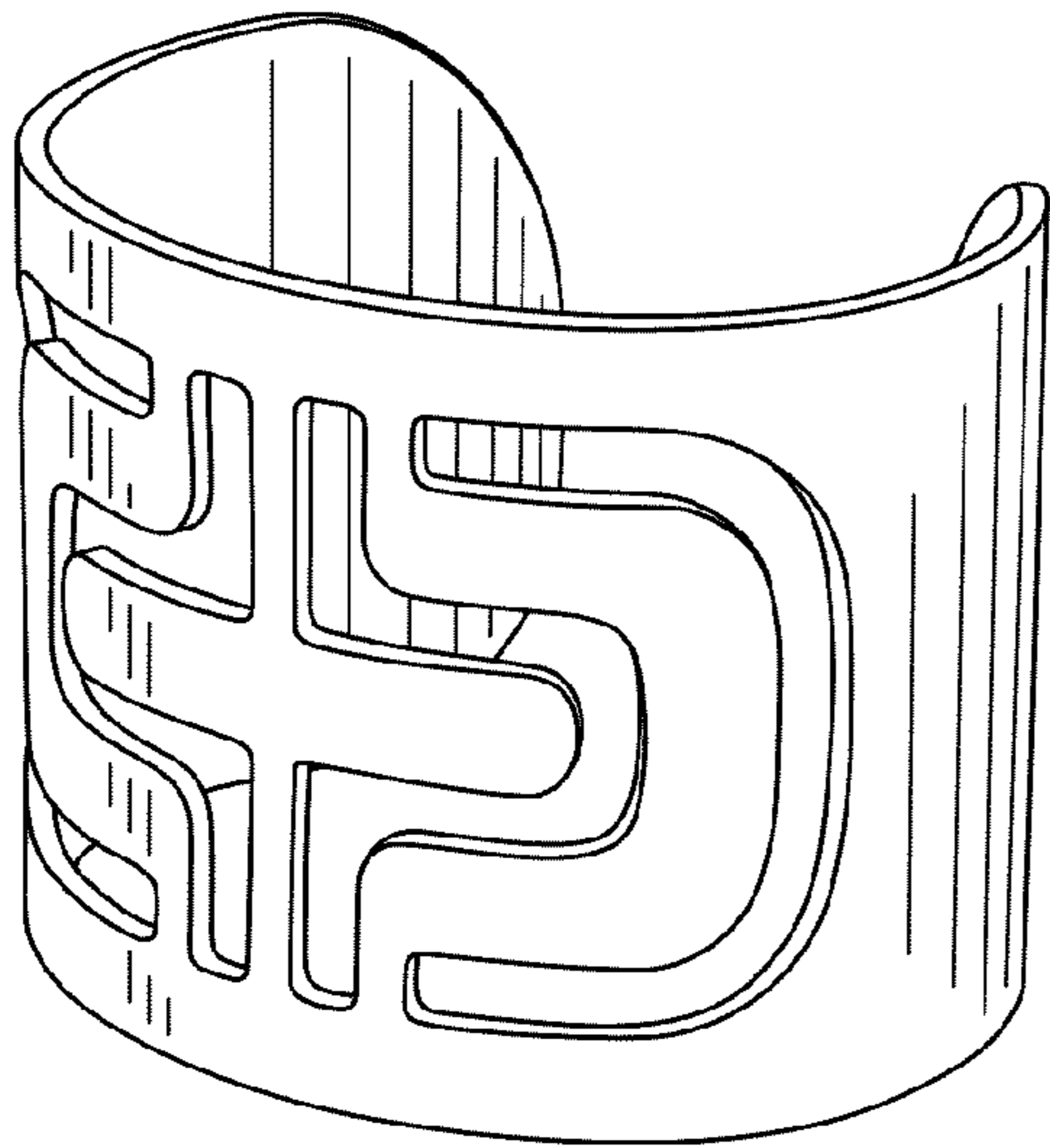


FIG. 1

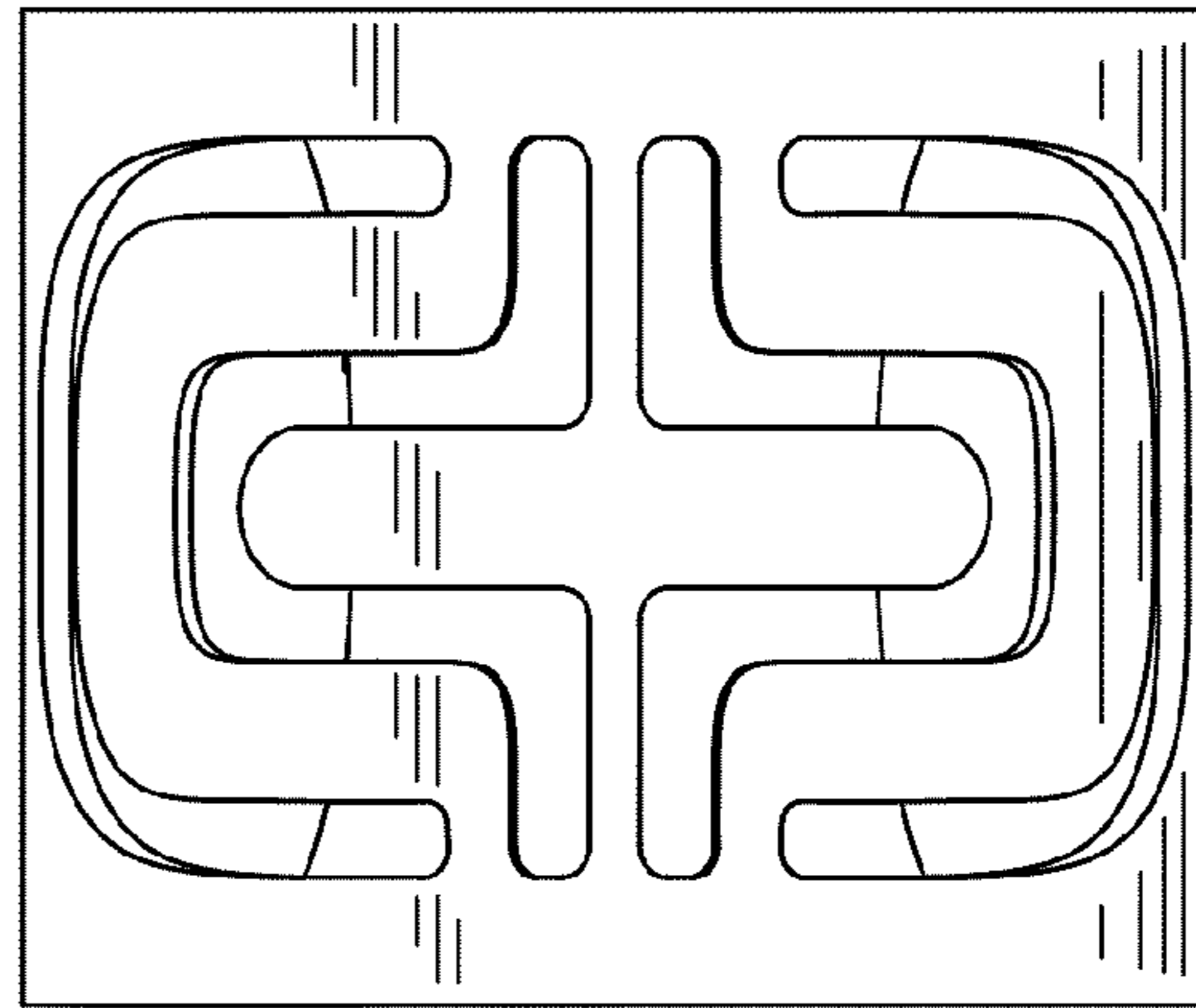


FIG. 2

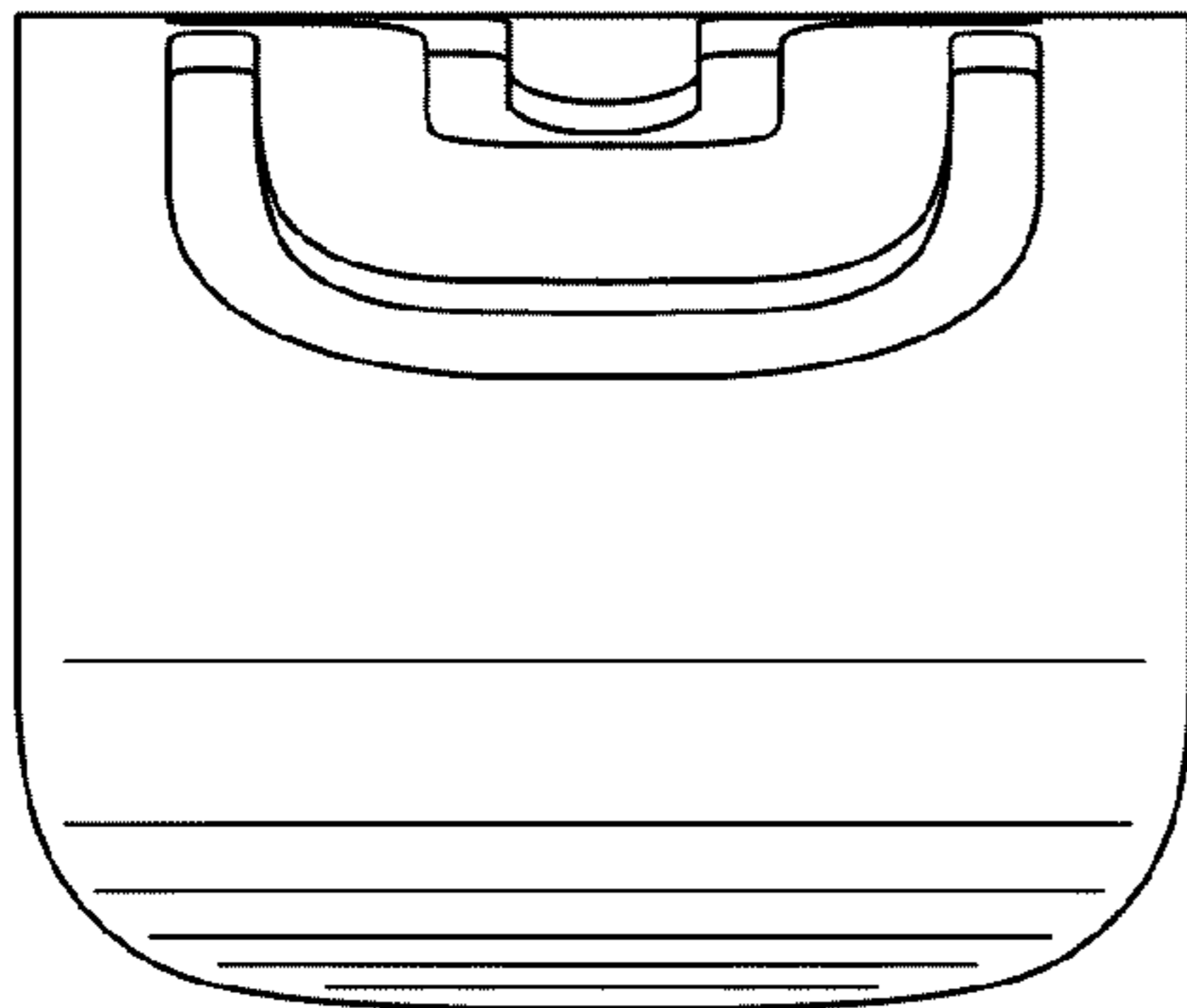


FIG. 3

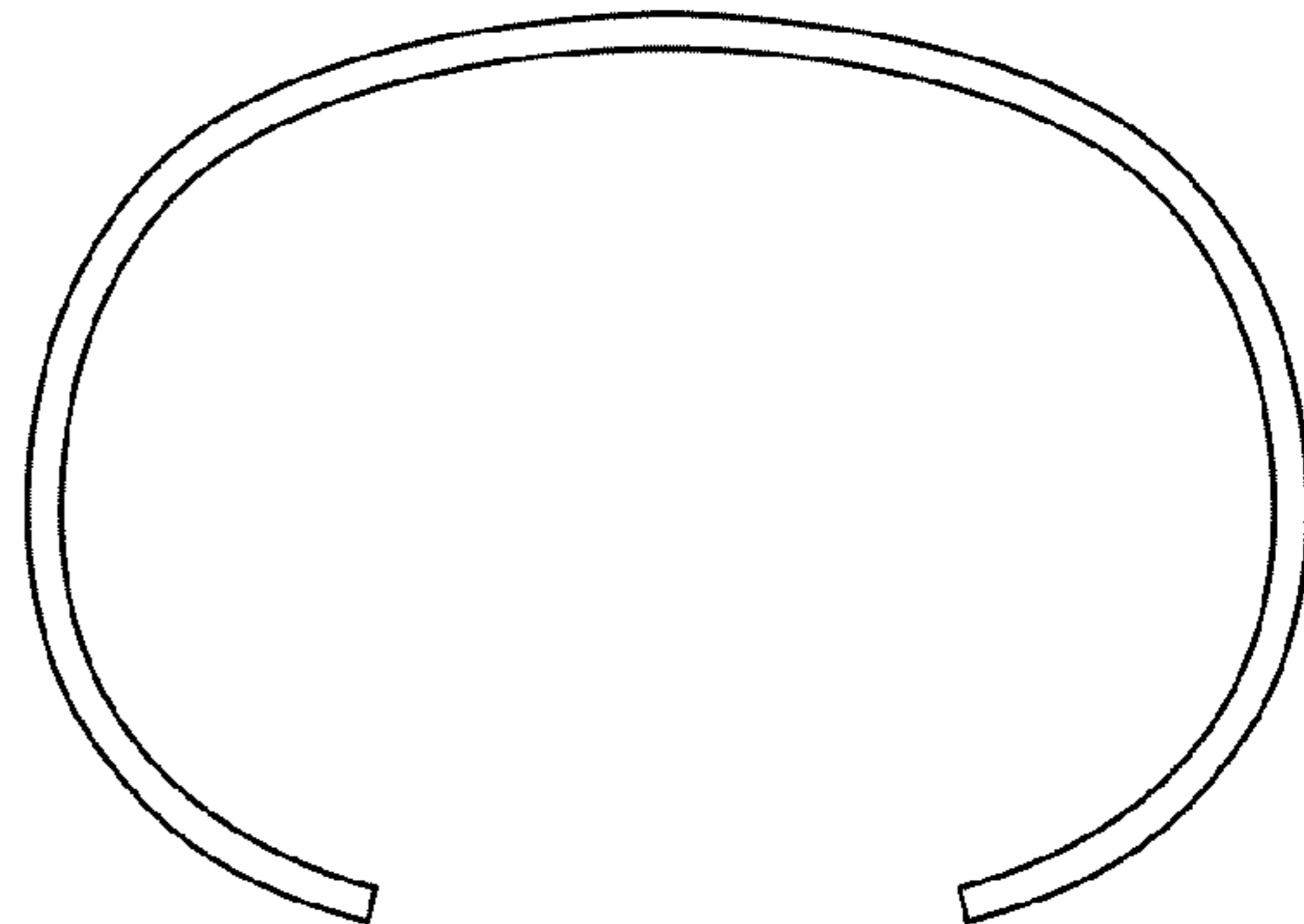


FIG. 4

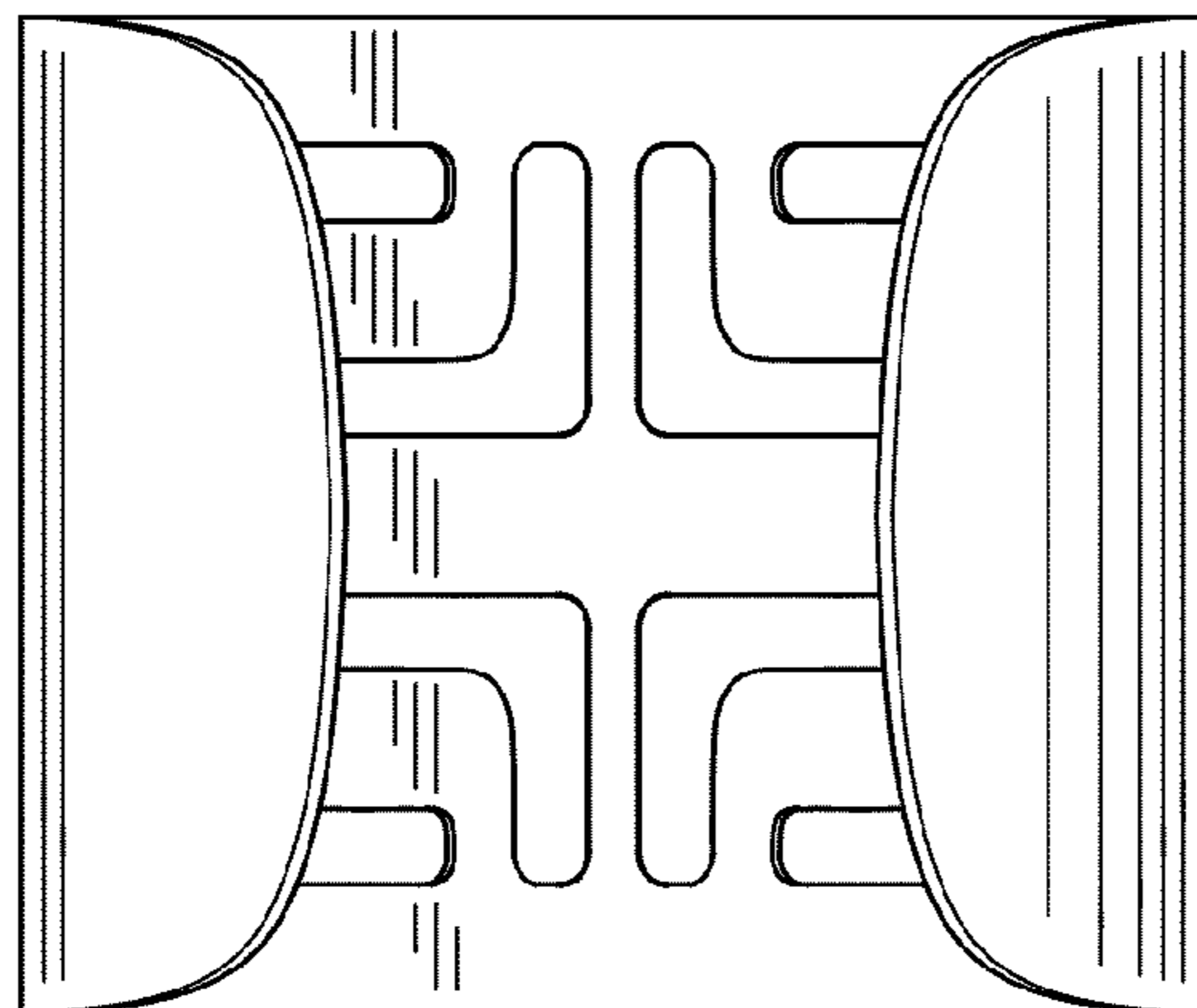


FIG. 5