



US00D645371S

(12) **United States Design Patent**
Ueda et al.

(10) **Patent No.:** **US D645,371 S**

(45) **Date of Patent:** **** Sep. 20, 2011**

(54) **MEASURING INSTRUMENT FOR BICYCLE**

(56) **References Cited**

(75) Inventors: **Takashi Ueda**, Osaka (JP); **Toshiyuki Nagano**, Osaka (JP); **Yoji Okuda**, Osaka (JP)

U.S. PATENT DOCUMENTS

D611,858 S * 3/2010 Nagano D10/98
7,915,554 B2 * 3/2011 Ueda et al. 324/180

(73) Assignee: **Cateye Co., Ltd.**, Osaka (JP)

* cited by examiner

(**) Term: **14 Years**

Primary Examiner — Antoine D. Davis

(21) Appl. No.: **29/373,212**

(74) *Attorney, Agent, or Firm* — Olson & Cepuritis, Ltd.

(22) Filed: **Mar. 18, 2011**

(57) **CLAIM**

The ornamental design for a measuring instrument for bicycle, as shown.

Related U.S. Application Data

(62) Division of application No. 29/348,956, filed on Feb. 23, 2010, now Pat. No. Des. 637,508.

DESCRIPTION

(30) **Foreign Application Priority Data**

Sep. 10, 2009 (JP) 2009-020887
Sep. 10, 2009 (JP) 2009-020888

FIG. 1 is a perspective view of a measuring instrument for bicycle showing our new design:

FIG. 2 is a front view thereof;

FIG. 3 is a rear view thereof;

FIG. 4 is a top plan view thereof;

FIG. 5 is a bottom plan view thereof;

FIG. 6 is a right side view thereof; and,

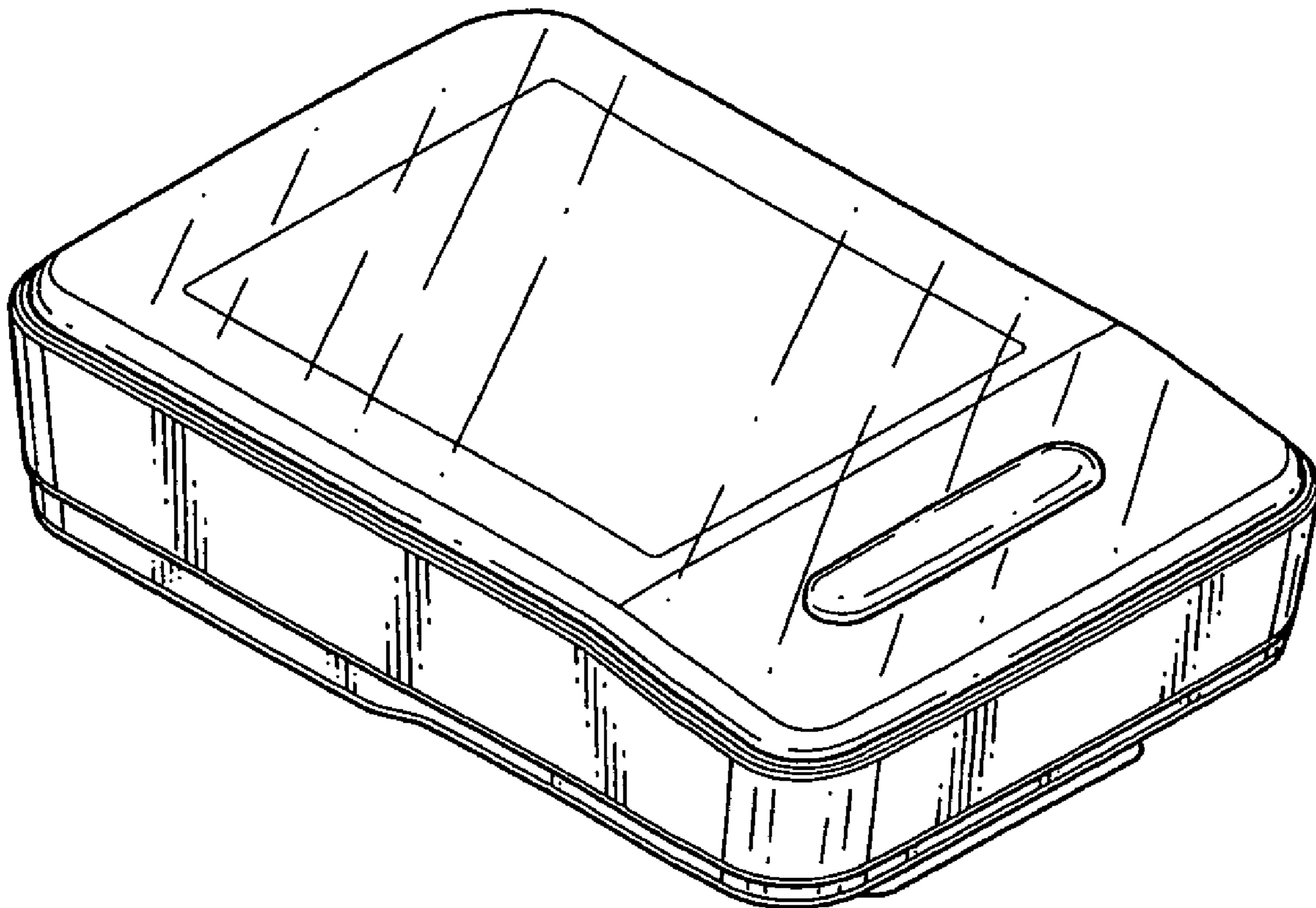
FIG. 7 is a left side view thereof.

(51) **LOC (9) Cl.** **10-04**

(52) **U.S. Cl.** **D10/98**

(58) **Field of Classification Search** D10/98;
73/490, 493, 514.39, 527; 235/95 R; 324/160-180,
324/207.13, 207.22, 207.25; 340/432; 702/145-148
See application file for complete search history.

1 Claim, 5 Drawing Sheets



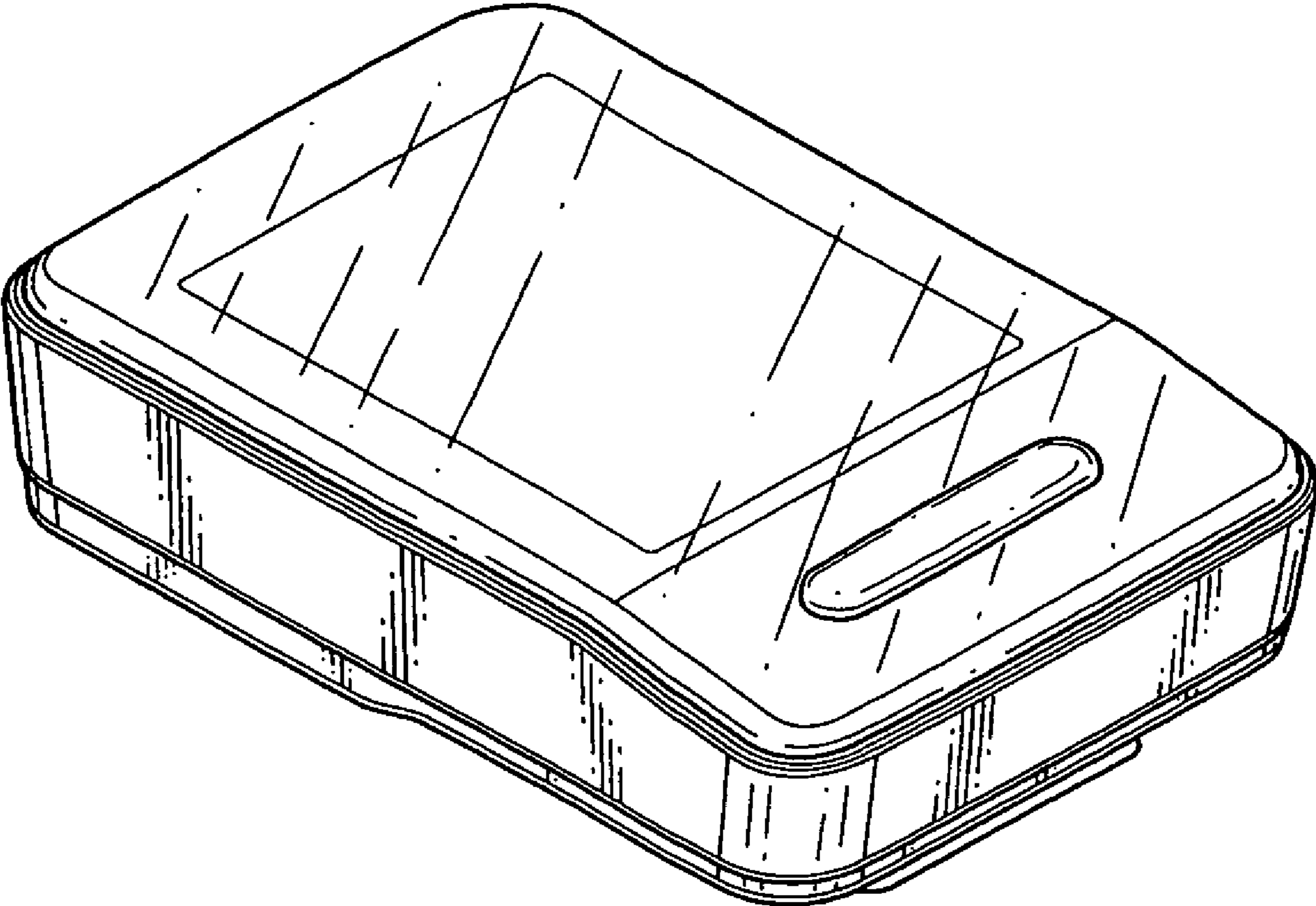


Fig. 1

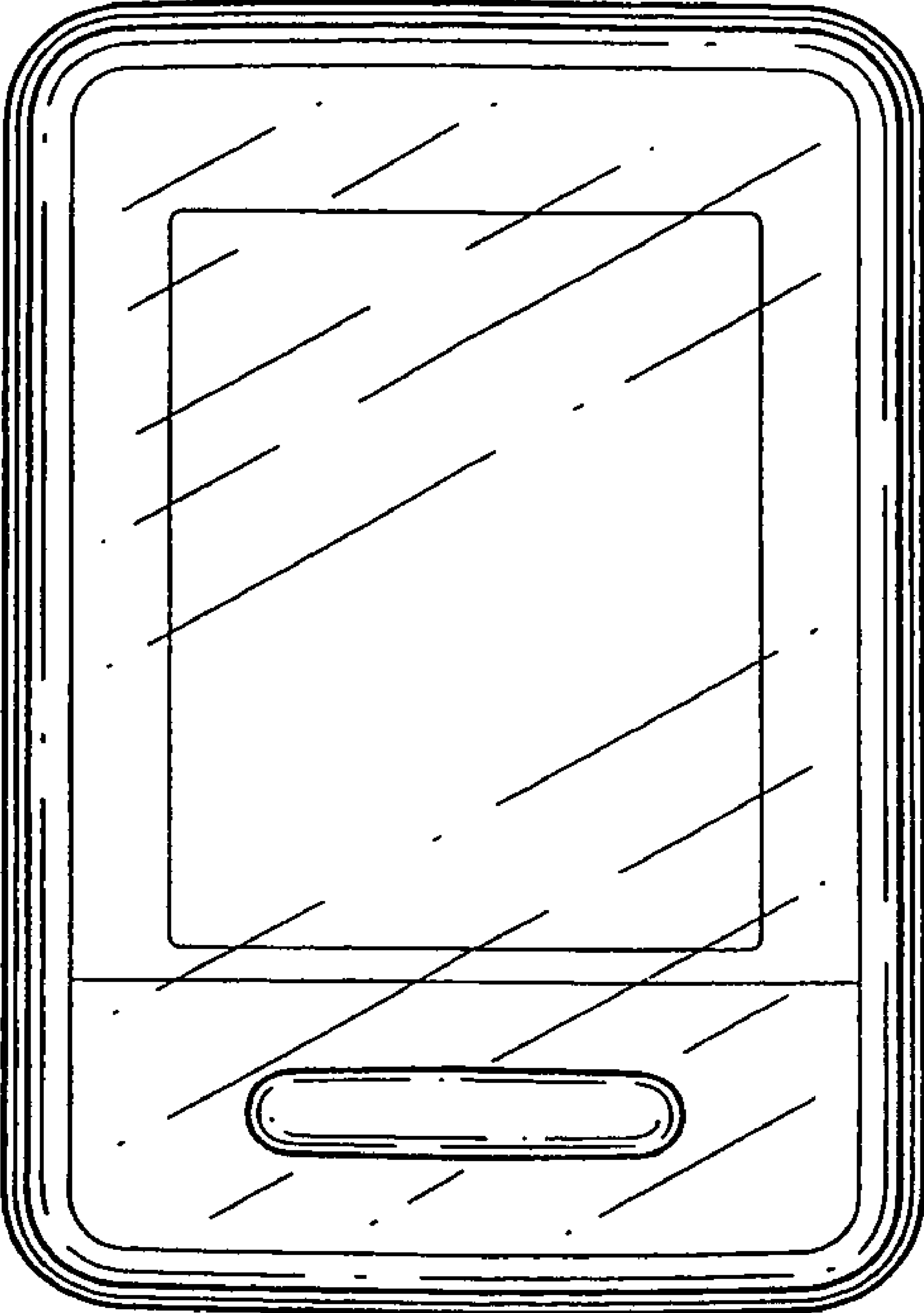


Fig. 2

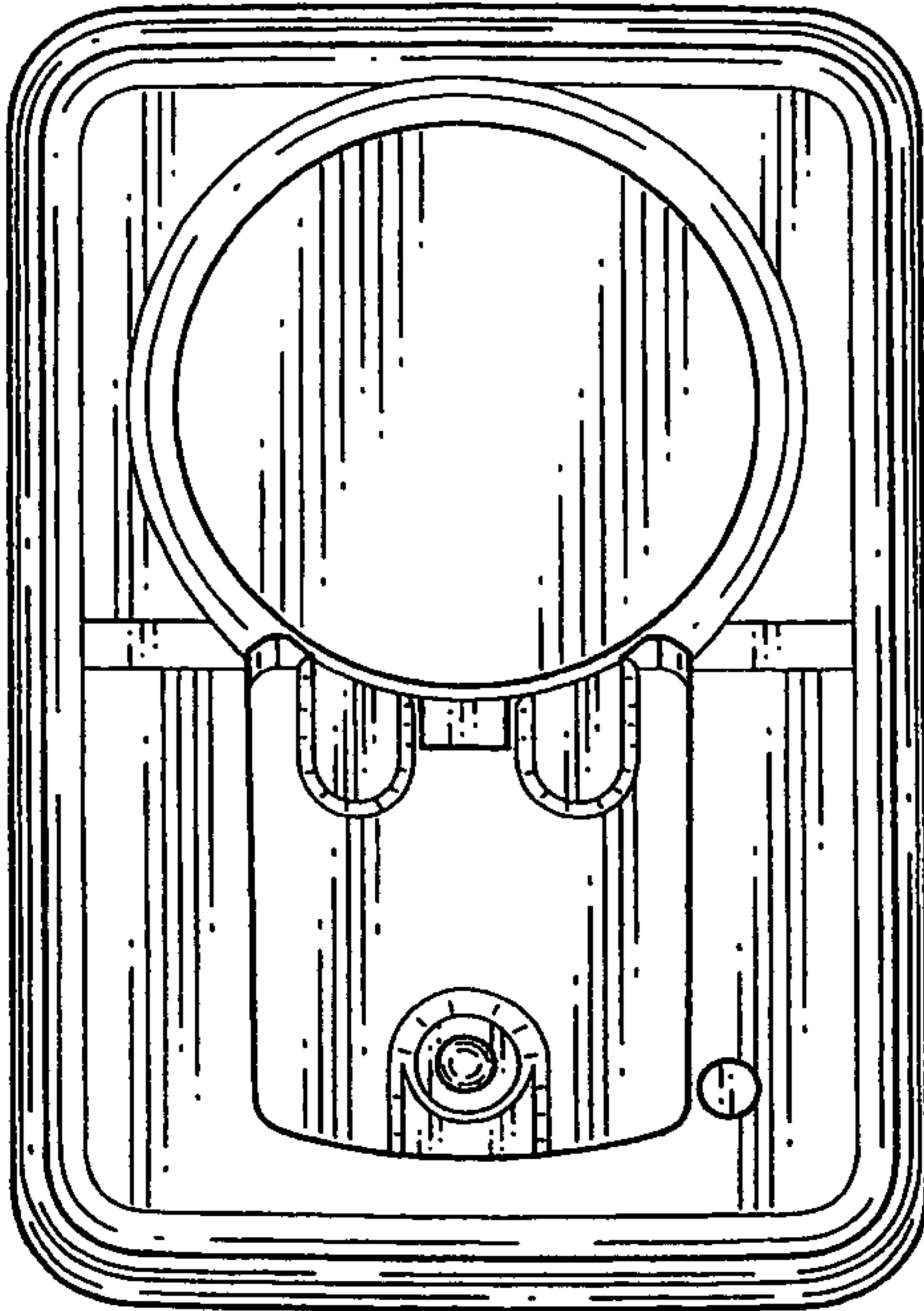


Fig. 3

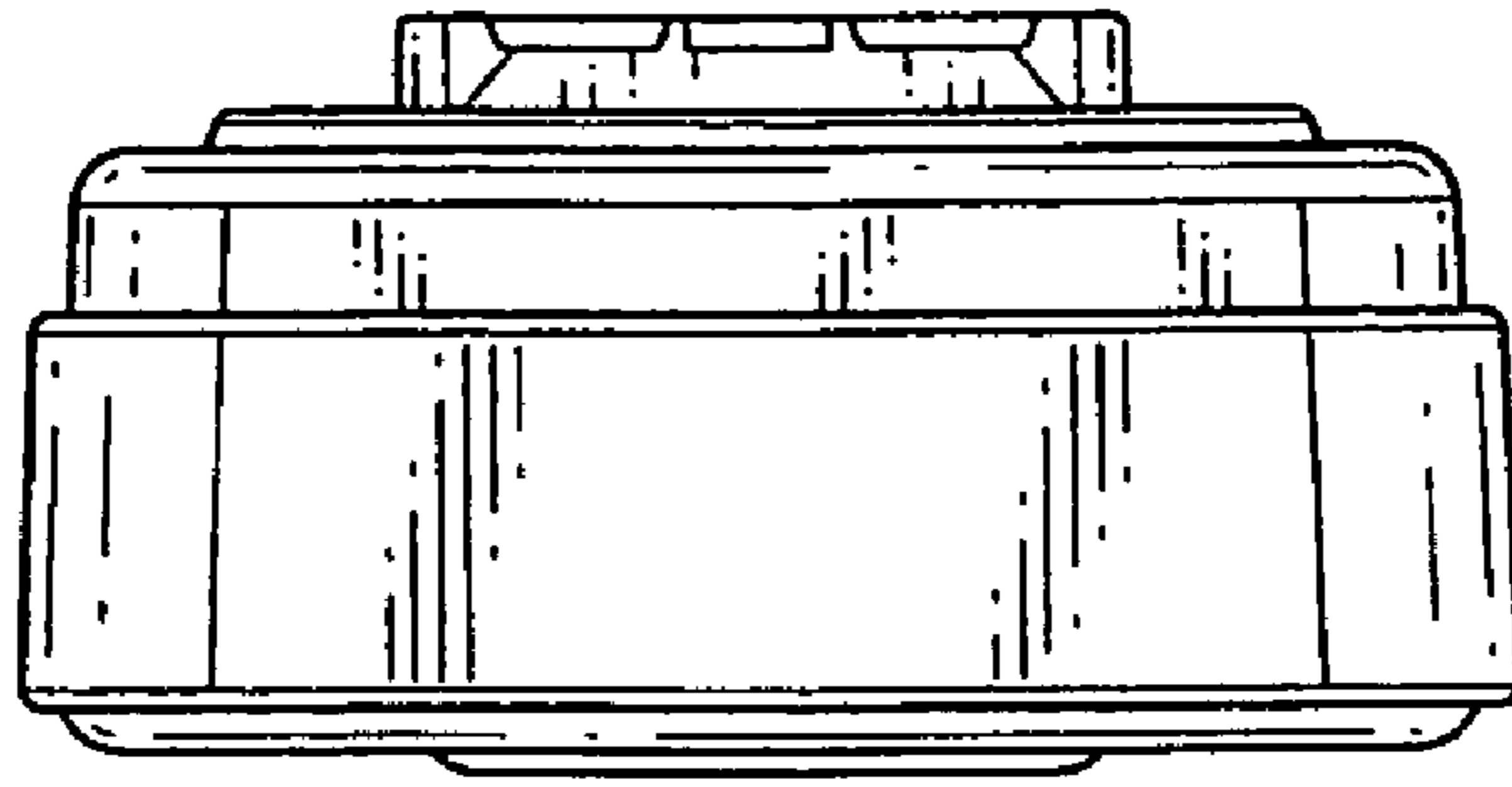


Fig. 4

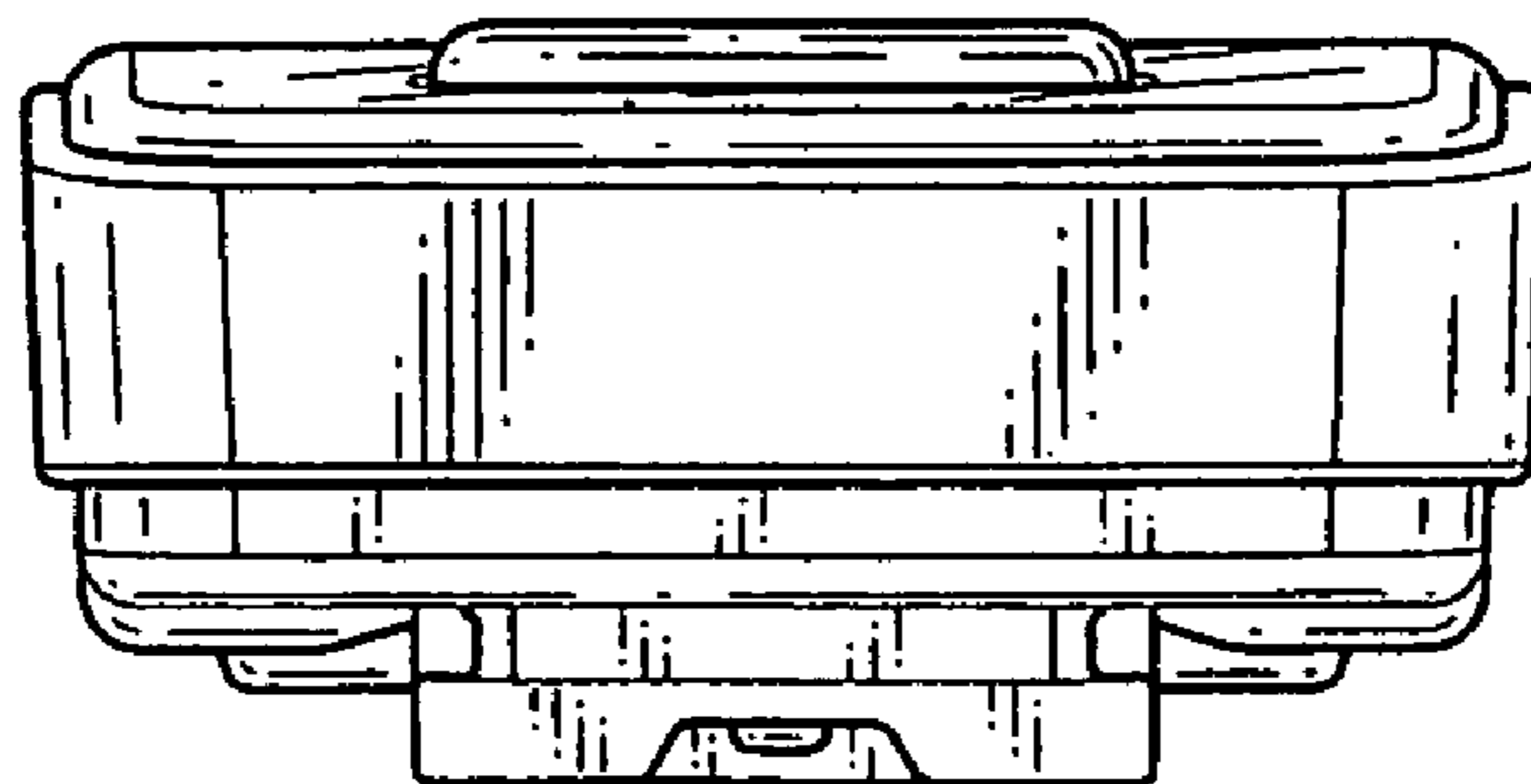


Fig. 5

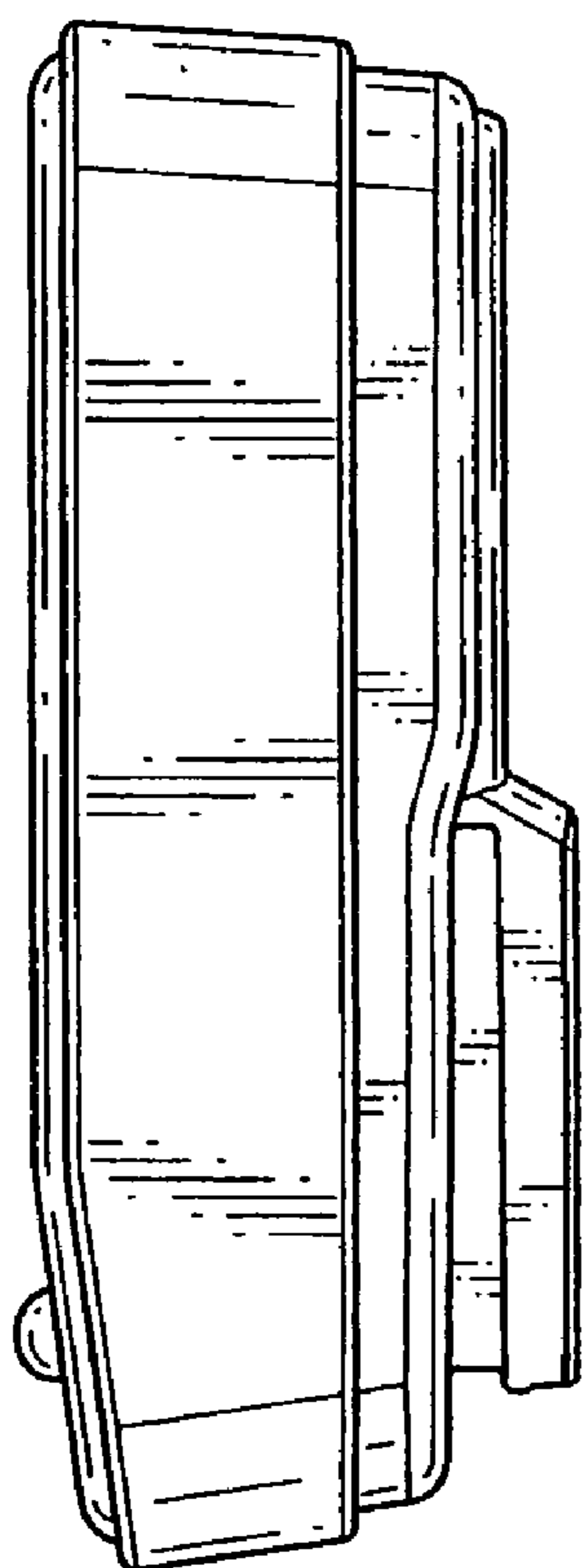


Fig. 6

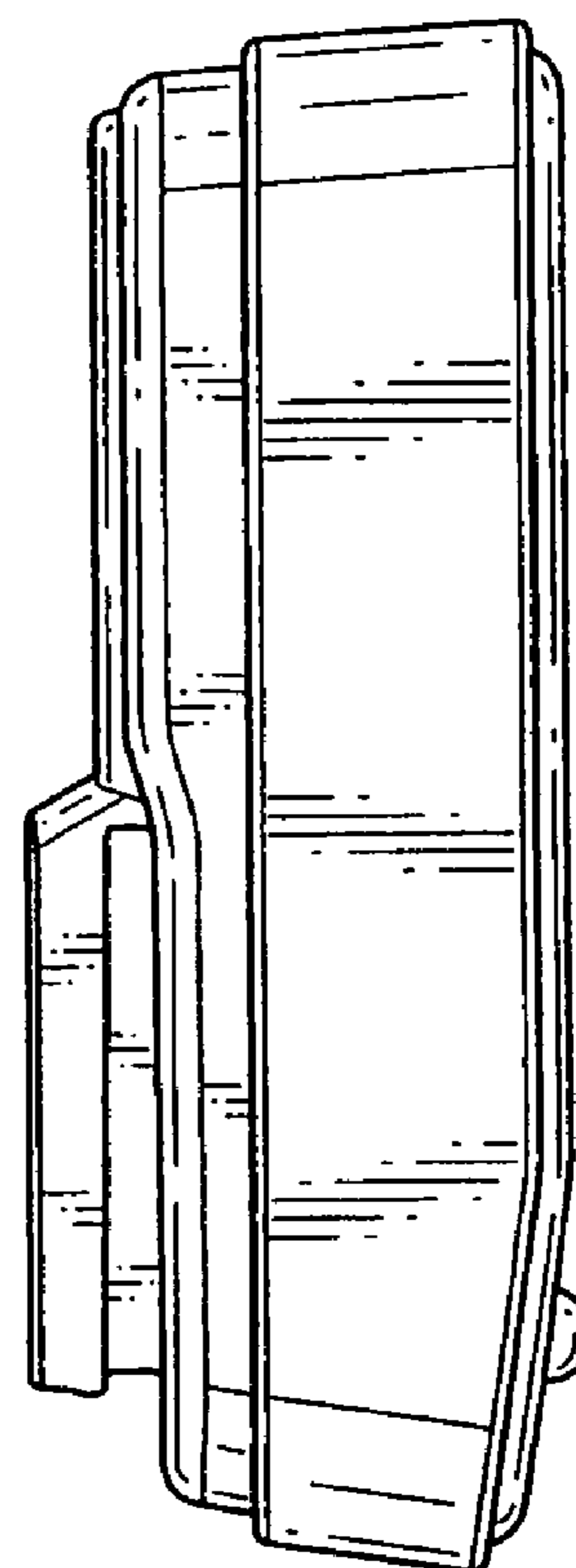


Fig. 7