



US00D645369S

(12) **United States Design Patent**  
**Rhein et al.**

(10) **Patent No.:** **US D645,369 S**

(45) **Date of Patent:** **\*\* Sep. 20, 2011**

(54) **WEIGHING INSTRUMENT**

(75) Inventors: **Detlef Rhein**, Hamburg (DE); **Till Garthoff**, Hamburg (DE)

(73) Assignee: **Seca AG**, Reinbach BL 1 (CH)

(\*\*) Term: **14 Years**

(21) Appl. No.: **29/380,094**

(22) Filed: **Nov. 30, 2010**

(30) **Foreign Application Priority Data**

May 31, 2010 (EP) ..... 001217228-0001

May 31, 2010 (EP) ..... 001217228-0007

(51) **LOC (9) Cl.** ..... **10-04**

(52) **U.S. Cl.** ..... **D10/93**

(58) **Field of Classification Search** ..... D10/87,  
D10/88, 91, 93, 94; 116/67 R; 128/905;  
177/238-243, 253; 73/172, 865.7; 340/626;  
600/592, 587, 595

See application file for complete search history.

(56) **References Cited**

U.S. PATENT DOCUMENTS

D523,367 S \* 6/2006 Lawler et al. .... D10/93

7,550,682 B2 \* 6/2009 Lawler et al. .... 177/25.16

D615,437 S \* 5/2010 Li et al. .... D10/93

\* cited by examiner

*Primary Examiner* — Antoine D Davis

(74) *Attorney, Agent, or Firm* — Lucas & Mercanti, LLP;  
Klaus P. Stoffel

(57) **CLAIM**

The ornamental design for a weighing instrument, as shown and described.

**DESCRIPTION**

FIG. 1 is a front, right side perspective view of the weighing instrument of the present invention;

FIG. 2 is a front, right side perspective view thereof with an element in a different position;

FIG. 3 is a front, right side perspective view thereof with an element in a different position;

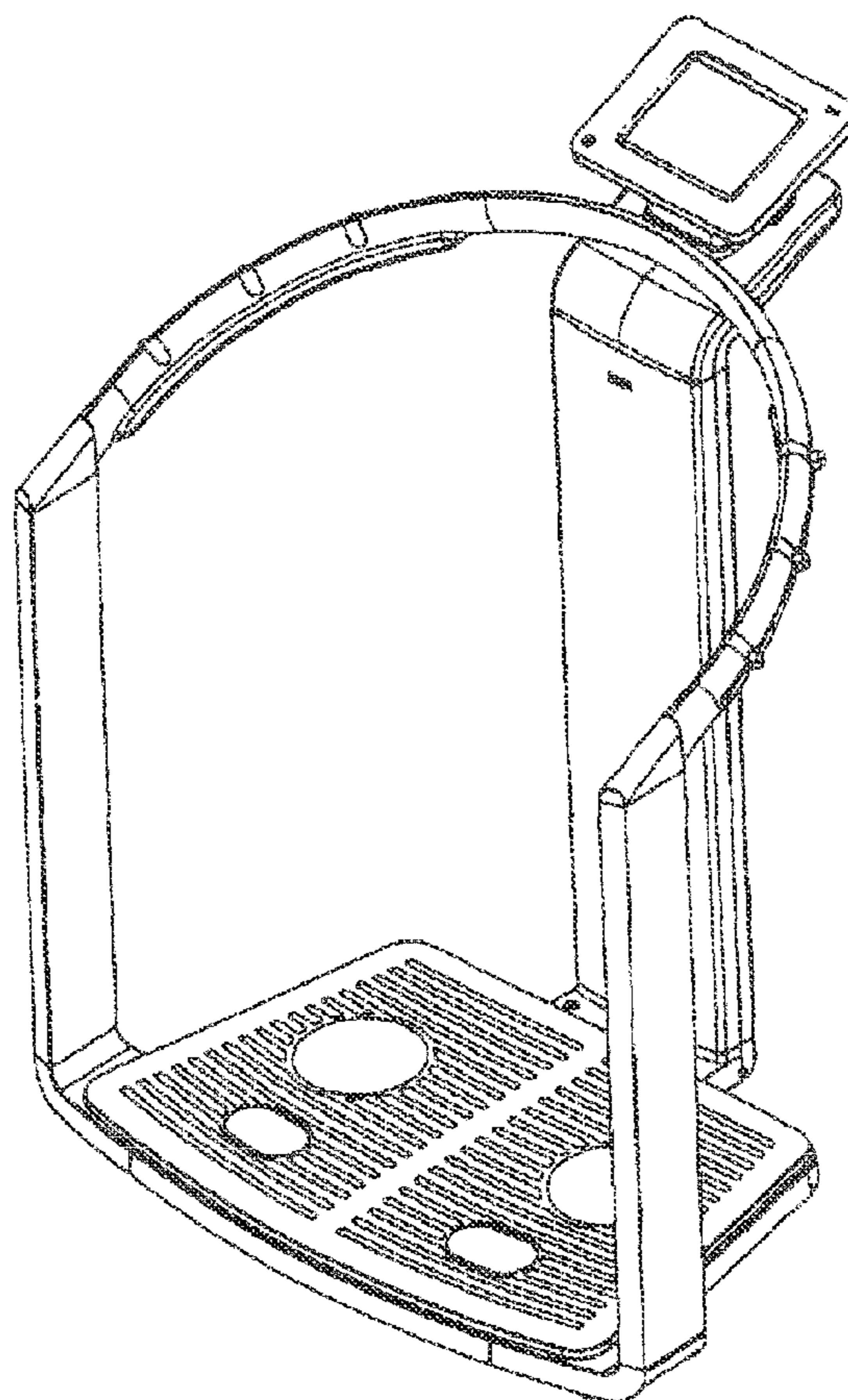
FIG. 4 is a top view thereof;

FIG. 5 is a right side view thereof; and,

FIG. 6 is a top view of another embodiment thereof.

Any other features not shown in the drawings do not form part of the claimed design.

**1 Claim, 5 Drawing Sheets**



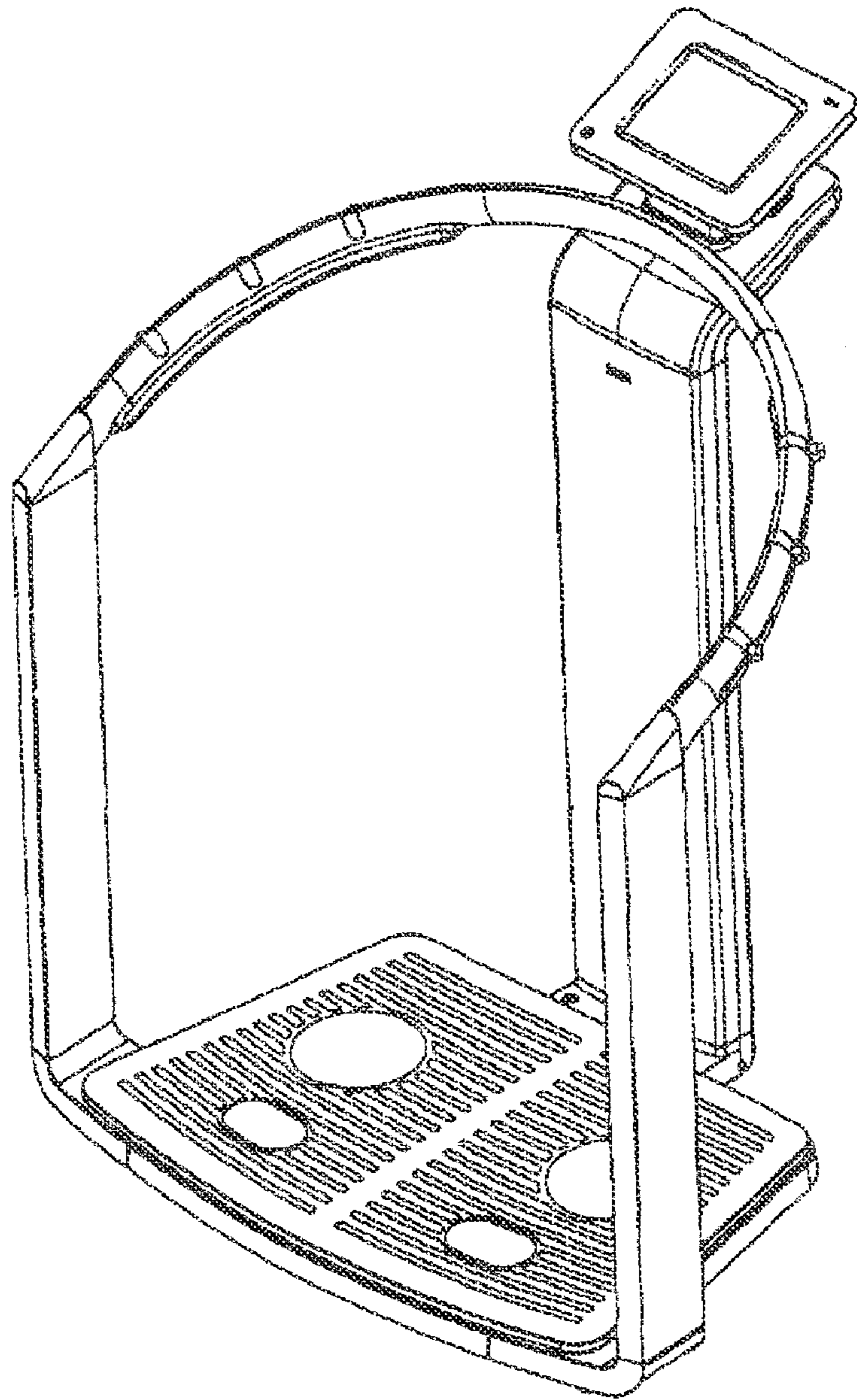


Fig. 1

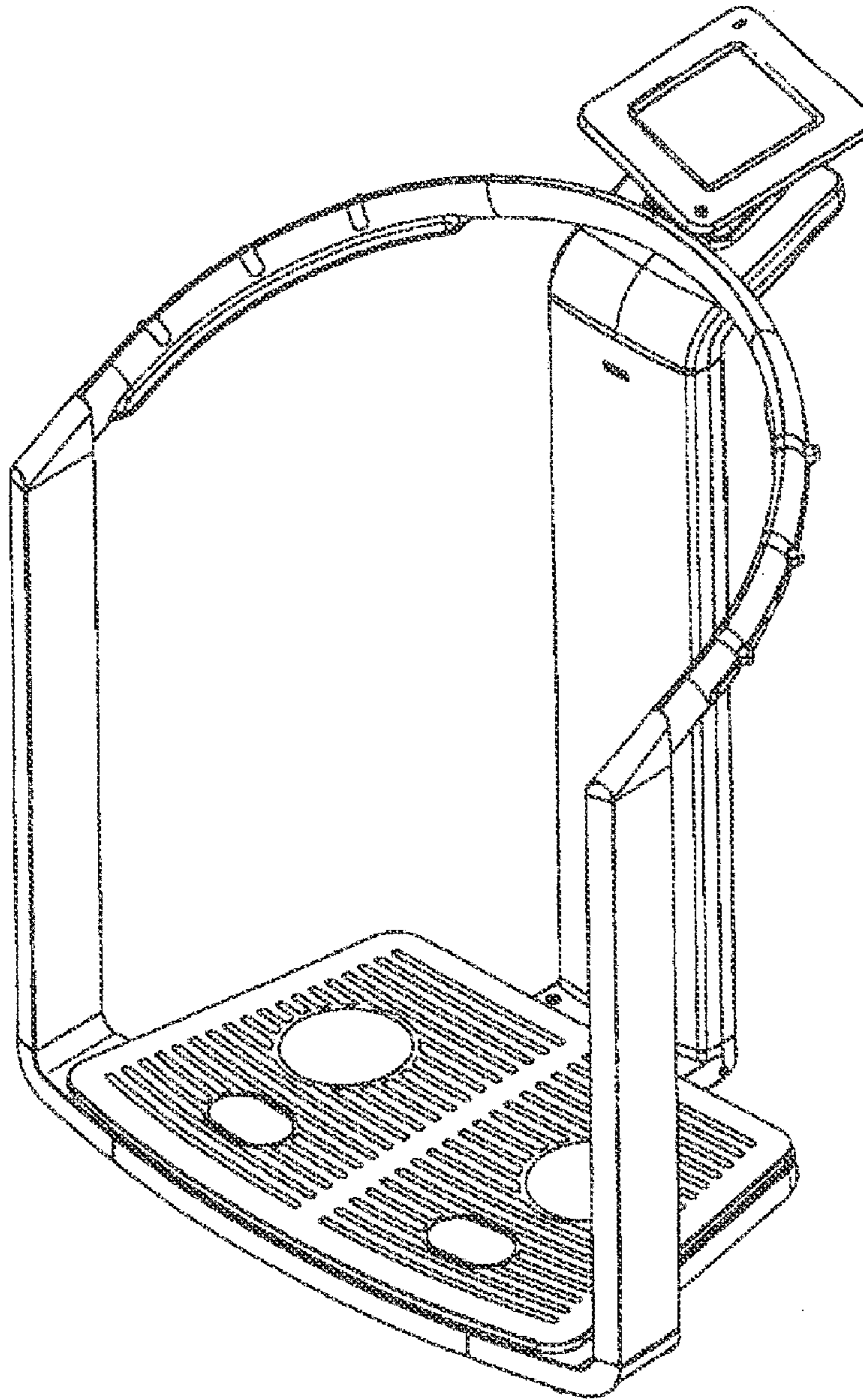


Fig. 2



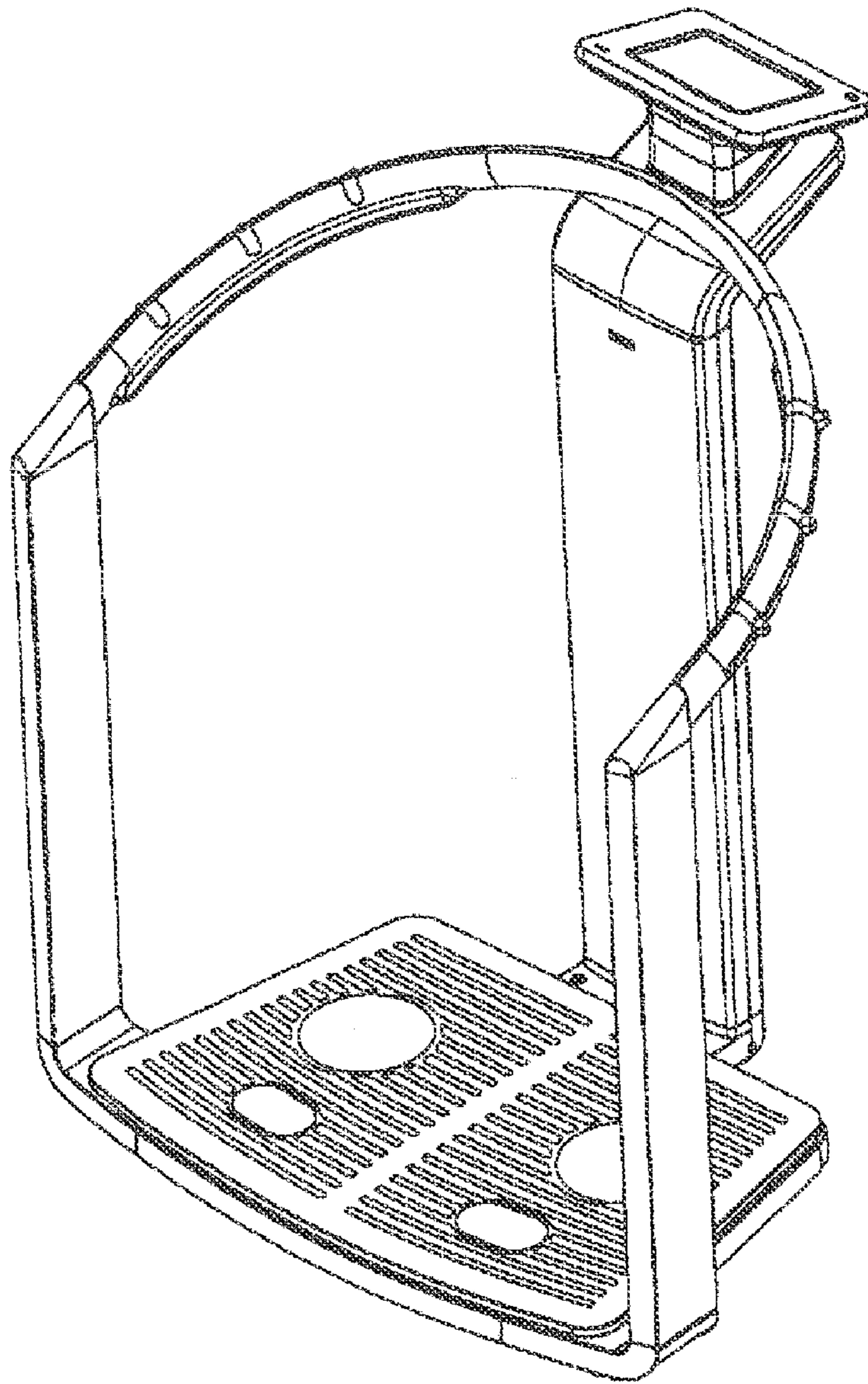


Fig. 3

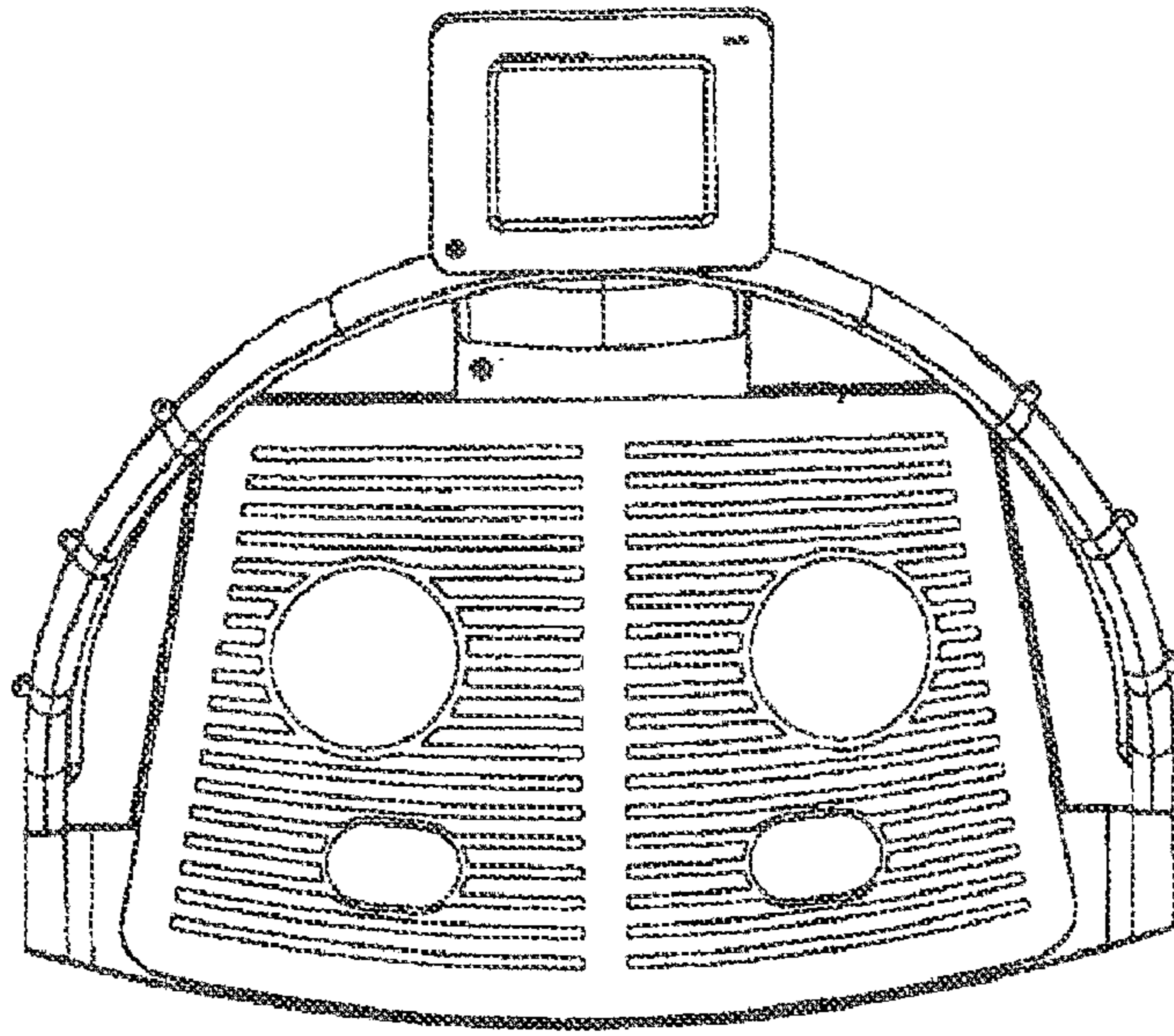


Fig. 4

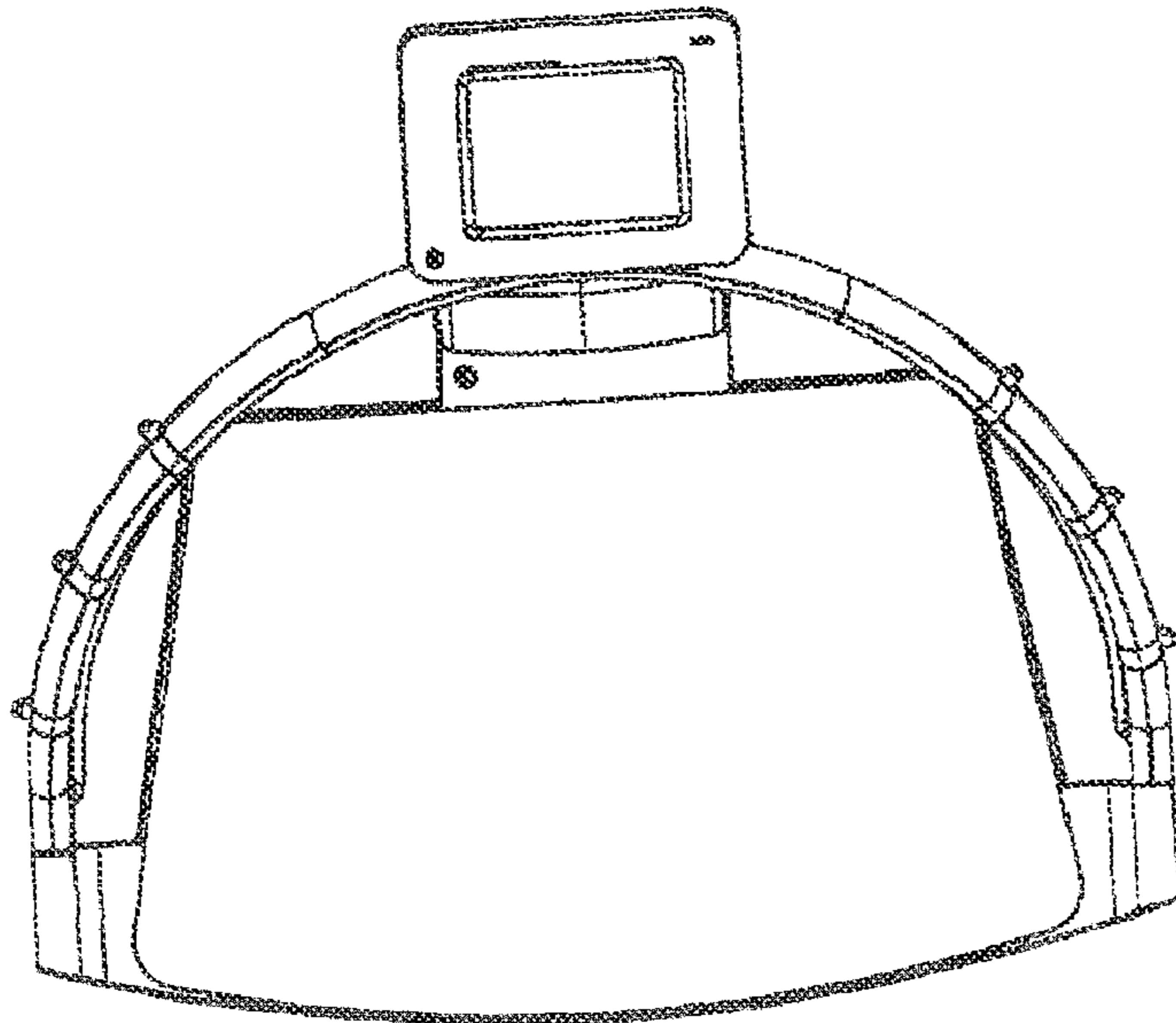


Fig. 6

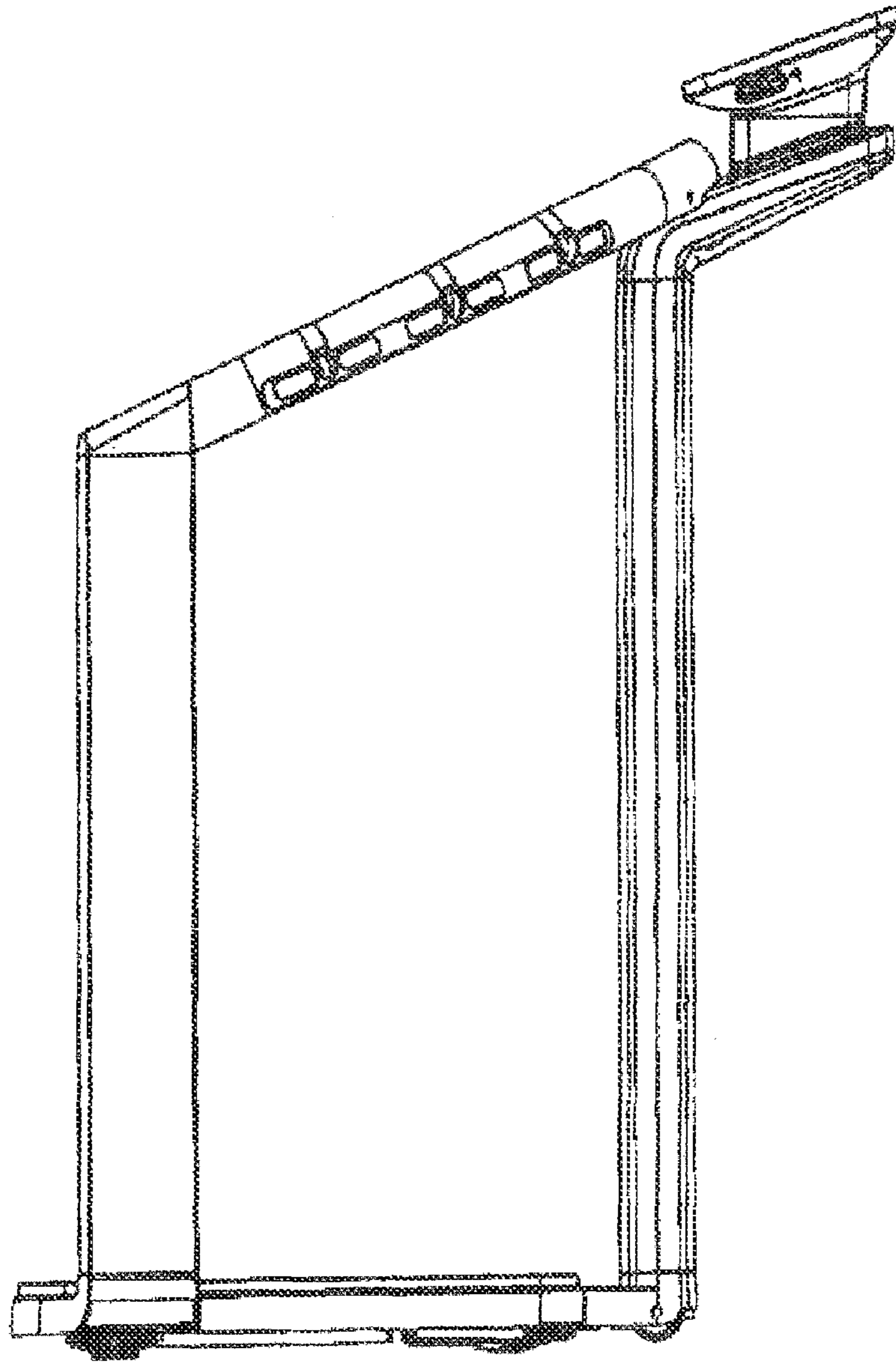


Fig. 5