



US00D645365S

(12) **United States Design Patent**
Abduelal

(10) **Patent No.:** **US D645,365 S**

(45) **Date of Patent:** **** Sep. 20, 2011**

(54) **GPS DISPLAY MONITOR**

(76) **Inventor:** **Tarek Abduelal**, Staten Island, NY (US)

(**) **Term:** **14 Years**

(21) **Appl. No.:** **29/313,904**

(22) **Filed:** **Feb. 19, 2009**

(51) **LOC (9) Cl.** **10-04**

(52) **U.S. Cl.** **D10/65**

(58) **Field of Classification Search** D10/65,
D10/80; D14/347;
342/351, 419, 457, 357.06-357.13; 343/702;
345/87, 104, 133, 156, 168, 173, 901-905;
348/180, 184, 315, 739; 364/444, 499;
701/206-209, 213, 214

See application file for complete search history.

(56) **References Cited**

U.S. PATENT DOCUMENTS

D543,876 S * 6/2007 Kalis et al. D10/65
D574,271 S * 8/2008 Stevens et al. D10/65

D577,298 S * 9/2008 Reeson et al. D10/65
D618,147 S * 6/2010 Bellingham D12/187
D625,627 S * 10/2010 McAlpine et al. D10/65
D625,629 S * 10/2010 McAlpine et al. D10/65
D626,019 S * 10/2010 Kao D10/65
D627,666 S * 11/2010 Lenz et al. D10/65
D628,913 S * 12/2010 Cheng D10/65
2010/0020034 A1* 1/2010 Kim 345/173

* cited by examiner

Primary Examiner — Raphael Barkai

Assistant Examiner — Randall Gholson

(74) *Attorney, Agent, or Firm* — Richard L. Mikesell

(57) **CLAIM**

The ornamental design for a GPS display monitor, as shown and described.

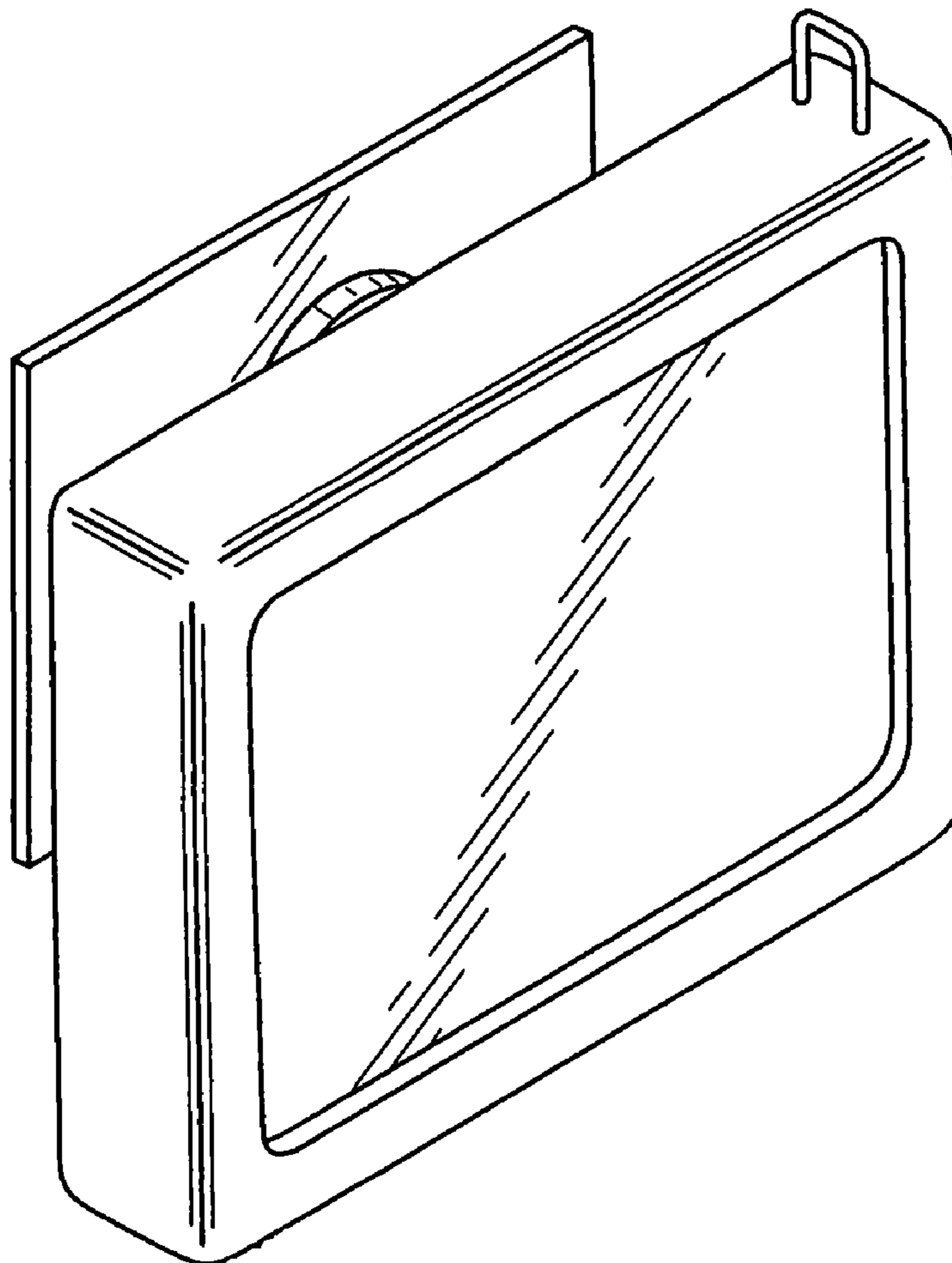
DESCRIPTION

FIG. 1 is a top left perspective view of my design for a GPS display monitor; and,

FIG. 2 is a partial bottom perspective view thereof.

The rear and right sides are plain and unadorned.

1 Claim, 1 Drawing Sheet



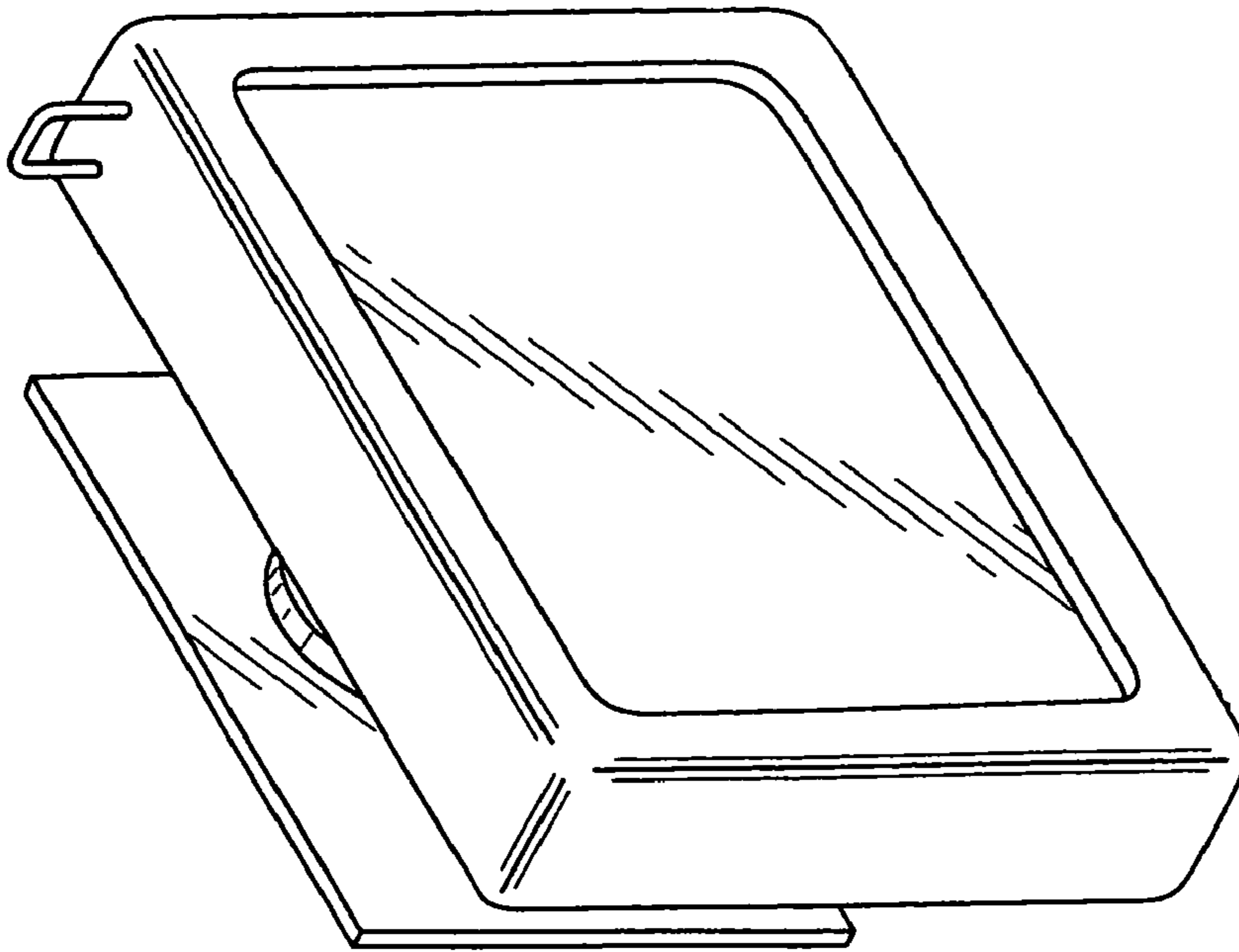


Fig. 1

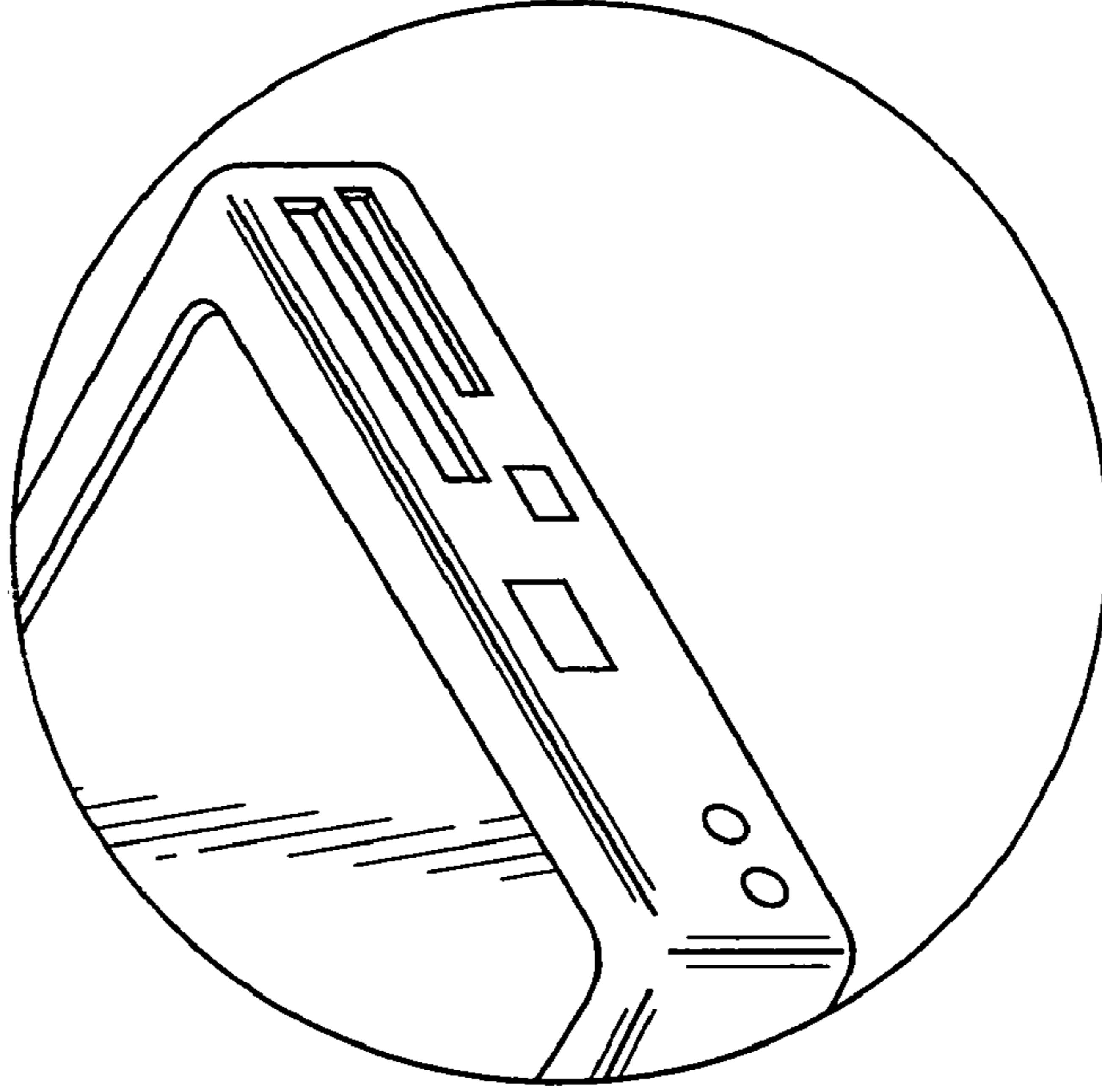


Fig. 2