

US00D645364S

(12) **United States Design Patent**  
**Duport et al.**

(10) **Patent No.:** **US D645,364 S**

(45) **Date of Patent:** **\*\* Sep. 20, 2011**

(54) **WATCH**

(75) Inventors: **Fabrice Duport**, Peseux (CH);  
**Fernando Soares**, Le Landeron (CH)

(73) Assignee: **Tiffany Watch Co. Ltd. (Montres Tiffany SA) (Tiffany Uhren AG)**,  
Biel/Bienne (CH)

(\*\*) Term: **14 Years**

(21) Appl. No.: **29/365,635**

(22) Filed: **Jul. 13, 2010**

(30) **Foreign Application Priority Data**

Jan. 13, 2010 (WO) ..... DM/073 110

(51) **LOC (9) Cl.** ..... **10-02**

(52) **U.S. Cl.** ..... **D10/39**

(58) **Field of Classification Search** ..... D10/30-39,  
D10/122-132; 368/276, 281, 282, 285, 80,  
368/223, 228, 232, 28

See application file for complete search history.

(56) **References Cited**

**U.S. PATENT DOCUMENTS**

D277,649 S *	2/1985	Glauser	.....	D10/32
D373,322 S *	9/1996	Helleu	.....	D10/125
D420,600 S *	2/2000	Gruosi-Scheufele	.....	D10/39
D455,084 S *	4/2002	Mauboussin	.....	D10/39
D455,970 S *	4/2002	Chia-Jeng	.....	D10/39
D462,909 S *	9/2002	Cattin	.....	D10/39

D473,802 S *	4/2003	Berliat	.....	D10/39
D473,803 S *	4/2003	d'Origny	.....	D10/39
D487,230 S *	3/2004	Dubarry	.....	D10/39
D518,389 S *	4/2006	Jorst et al.	.....	D10/38
D519,390 S *	4/2006	Lovegrove	.....	D10/39
D519,853 S *	5/2006	Sirmakes	.....	D10/32
D537,371 S *	2/2007	Belamich	.....	D10/39
D570,713 S *	6/2008	Gruosi-Scheufele	.....	D10/39
D572,620 S *	7/2008	Schoepfer	.....	D10/125
D586,242 S *	2/2009	Schoepfer	.....	D10/39
D611,844 S *	3/2010	Furetta	.....	D10/39
D615,898 S *	5/2010	Dias	.....	D10/125
D618,575 S *	6/2010	Duport et al.	.....	D10/126
D620,814 S *	8/2010	Duport et al.	.....	D10/38
D622,166 S *	8/2010	Monachon	.....	D10/39
D636,687 S *	4/2011	Morrison	.....	D10/39

\* cited by examiner

*Primary Examiner* — Lucy Lieberman

(74) *Attorney, Agent, or Firm* — Collen IP; Donald J. Ranft

(57) **CLAIM**

The ornamental design for a watch, as shown and described.

**DESCRIPTION**

FIG. 1 is a front, bottom and right side perspective view of a watch showing our new design;

FIG. 2 is a front view thereof;

FIG. 3 is a rear view thereof;

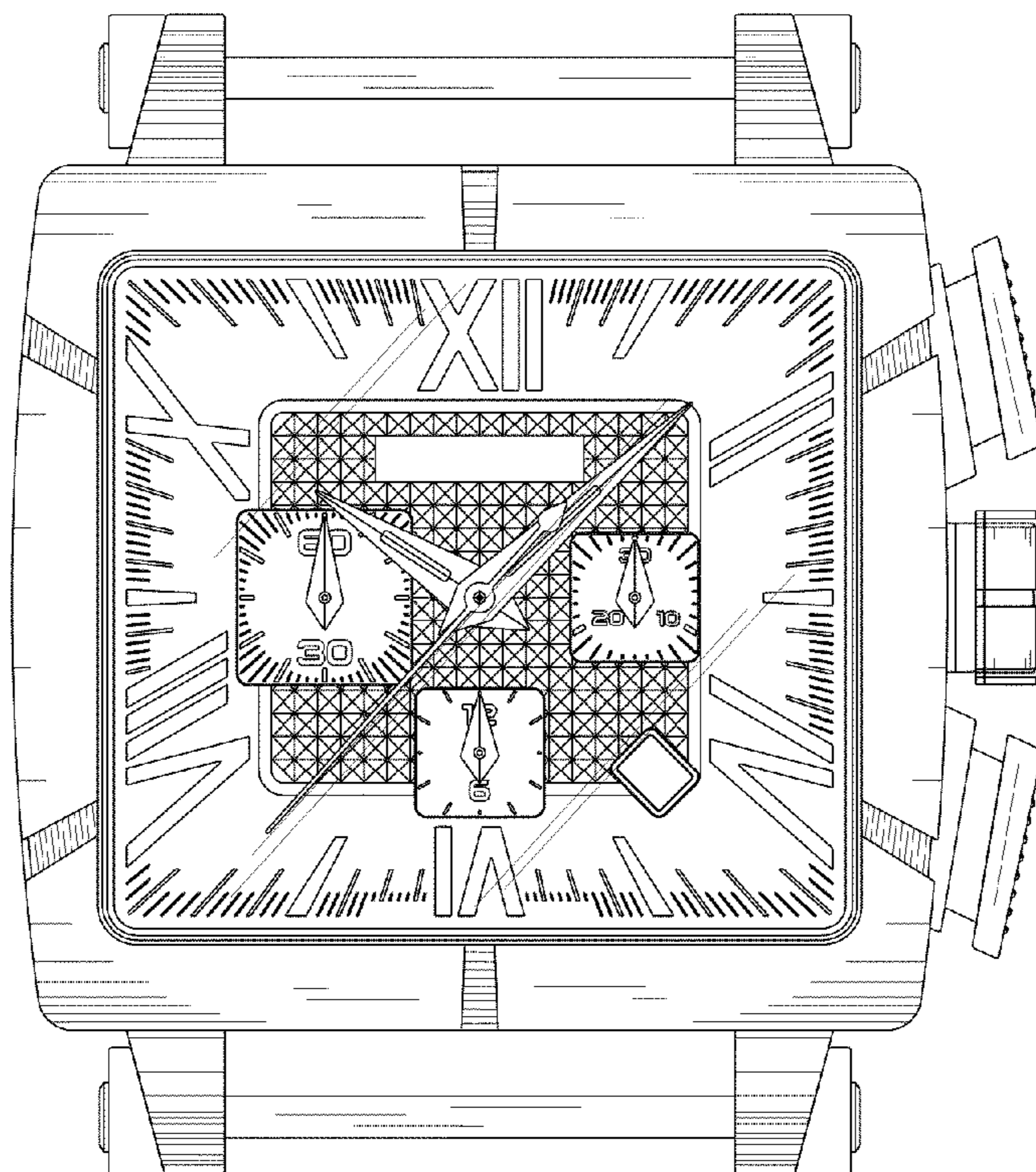
FIG. 4 is a top view thereof;

FIG. 5 is a bottom view thereof;

FIG. 6 is a left side view thereof; and,

FIG. 7 is a right side view thereof.

**1 Claim, 5 Drawing Sheets**



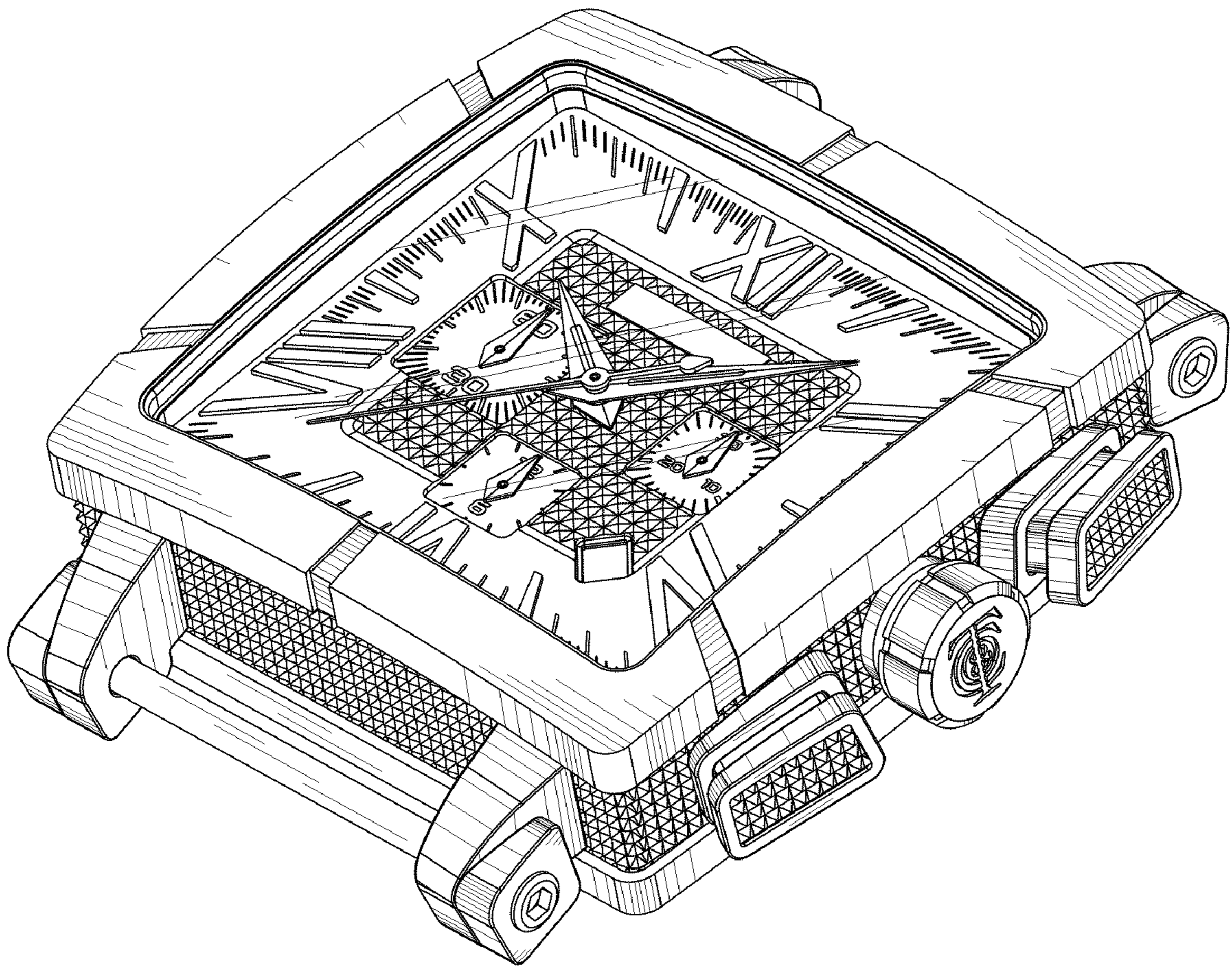


FIGURE 1

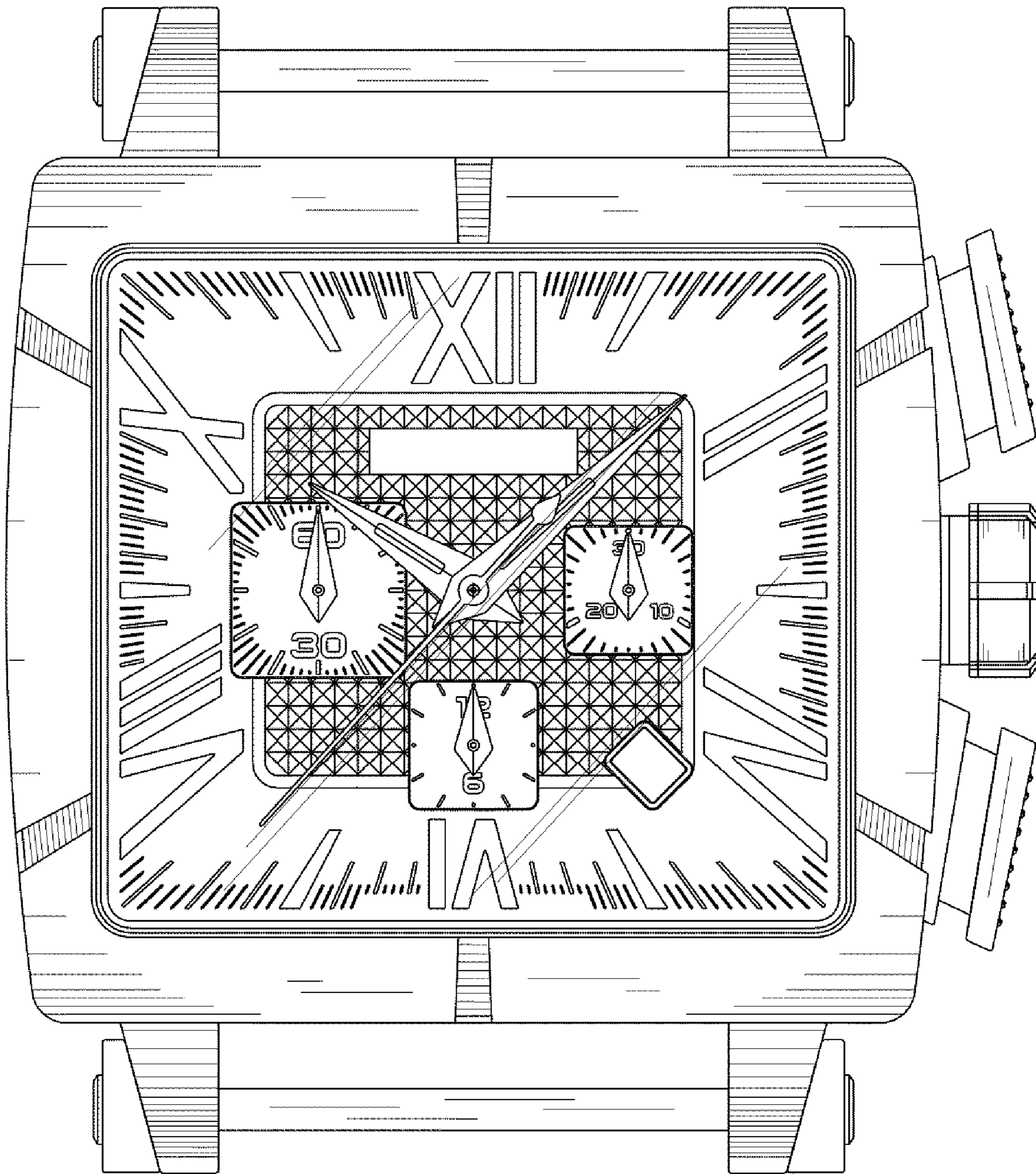


FIGURE 2

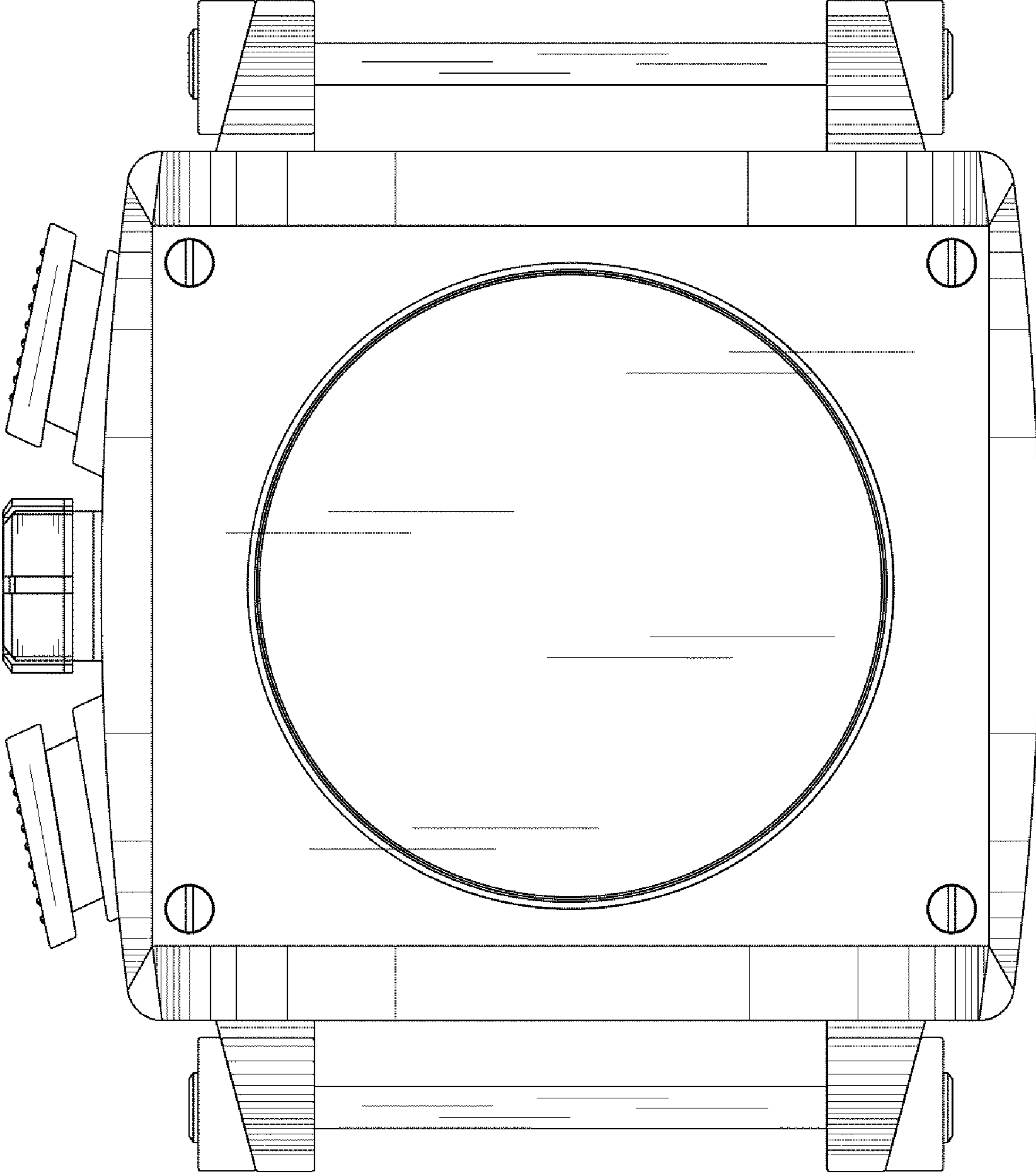


FIGURE 3

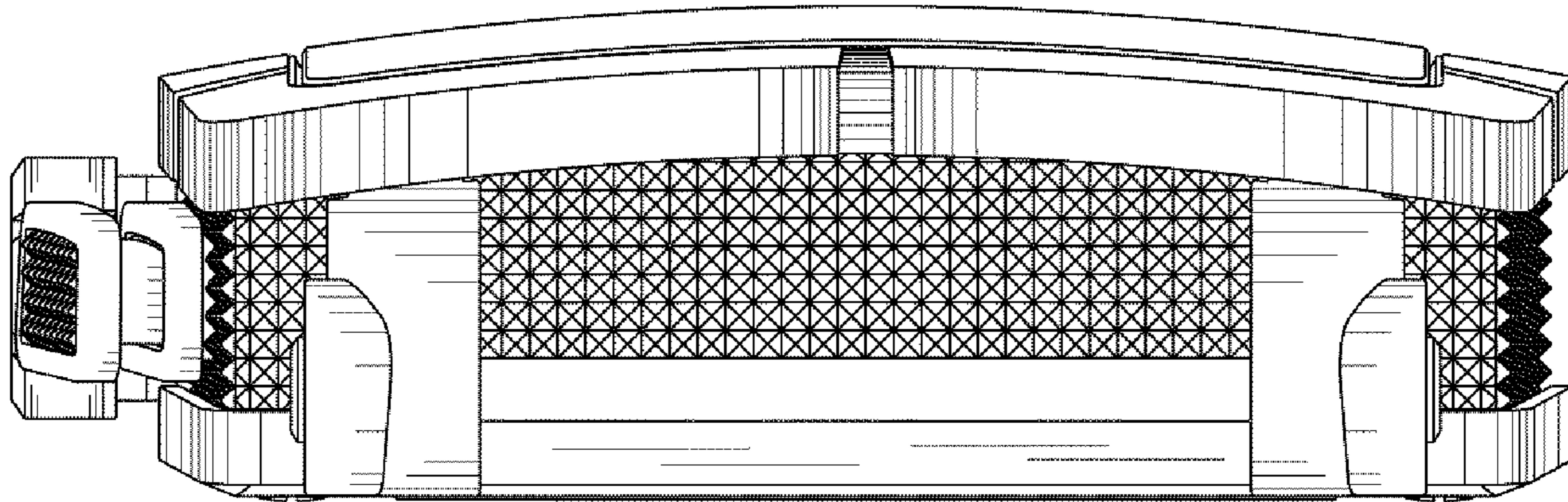


FIGURE 4

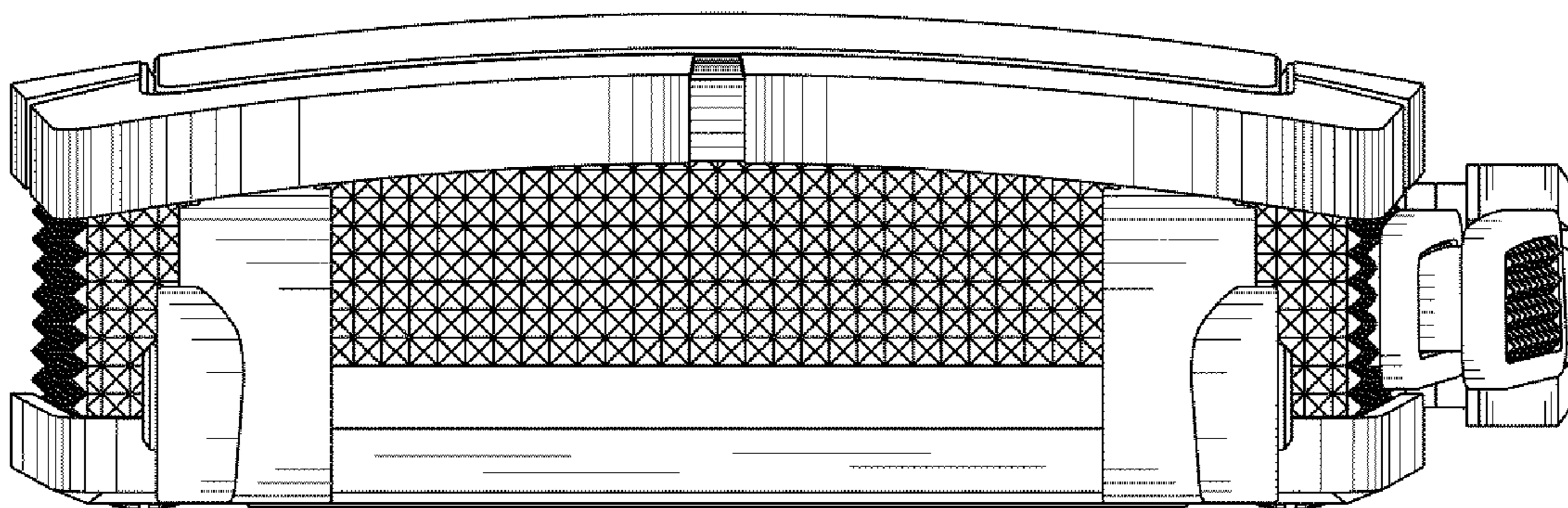


FIGURE 5

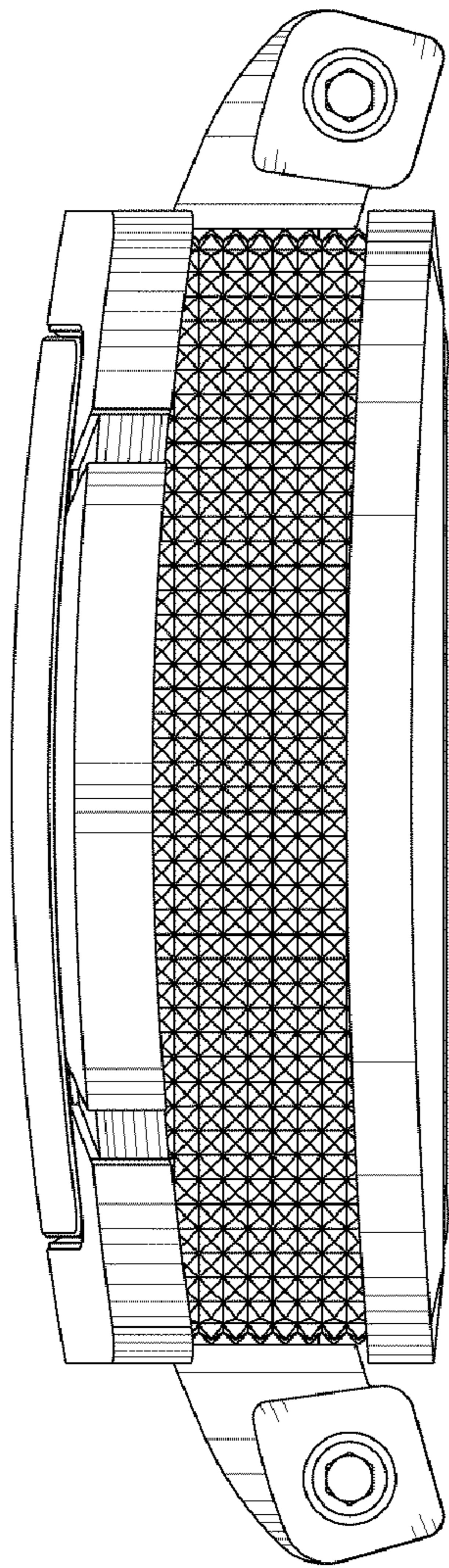


FIGURE 6

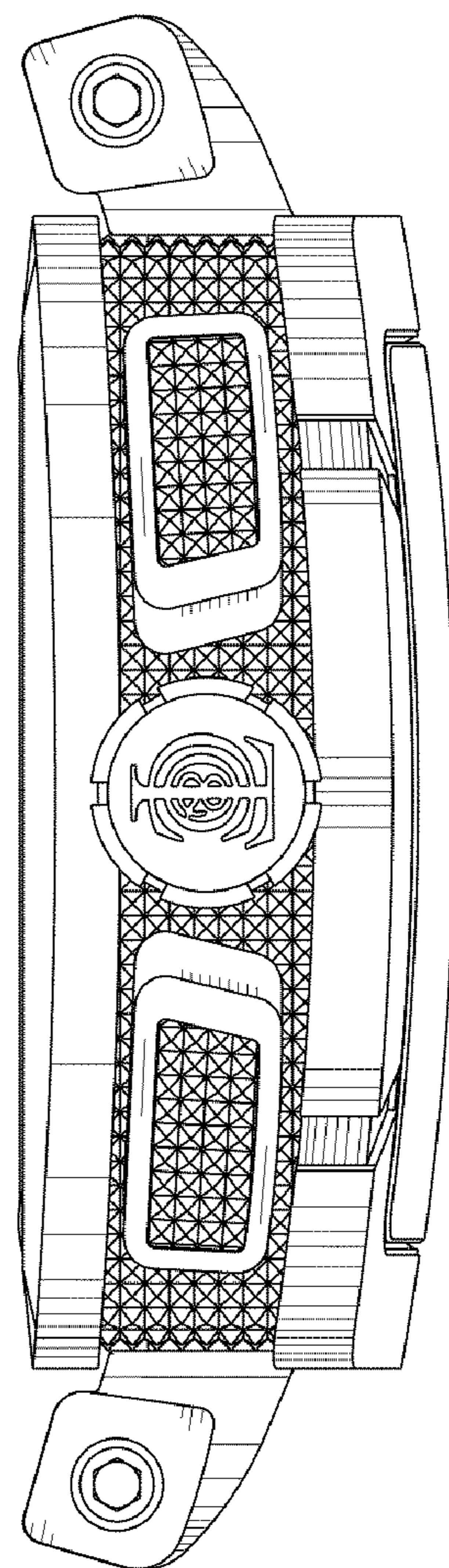


FIGURE 7