



US00D645362S

(12) **United States Design Patent**
Houlihan et al.

(10) **Patent No.:** **US D645,362 S**

(45) **Date of Patent:** **** Sep. 20, 2011**

(54) **WATCH CASE**

(75) Inventors: **John Houlihan**, Branford, CT (US);
Mario Sabatini, Branford, CT (US);
Muhammad Saleh, Woodbridge, CT
(US); **Paul Myott**, Woodbridge, CT (US)

(73) Assignee: **Bulltoro Watch Company, LLC**,
Woodbridge, CT (US)

(**) Term: **14 Years**

(21) Appl. No.: **29/390,780**

(22) Filed: **Apr. 29, 2011**

(51) **LOC (9) Cl.** **10-02**

(52) **U.S. Cl.** **D10/38**

(58) **Field of Classification Search** D10/30-39;
368/276, 278, 281, 282, 285

See application file for complete search history.

(56) **References Cited**

U.S. PATENT DOCUMENTS

D301,840 S *	6/1989	Houlihan	D10/30
D302,391 S *	7/1989	Houlihan	D10/32
D303,092 S *	8/1989	Wakamatsu	D10/31
D303,093 S *	8/1989	Houlihan	D10/38
D315,512 S *	3/1991	Houlihan	D10/30
D317,872 S *	7/1991	Dobashi	D10/32
D328,871 S *	8/1992	Houlihan	D10/32
D333,438 S *	2/1993	Tsuji	D10/31

D339,750 S *	9/1993	Nakai	D10/38
D349,061 S *	7/1994	Morishima	D10/38
D354,240 S *	1/1995	Hanagata	D10/39
D354,242 S *	1/1995	Hanagata	D10/39
D370,858 S *	6/1996	Yamamoto	D10/38
D412,122 S *	7/1999	Yamamoto	D10/30
6,233,203 B1 *	5/2001	Kawata	368/10
D494,557 S *	8/2004	Lowinger	D14/138 R
D494,558 S *	8/2004	Lowinger	D14/138 R
D503,115 S *	3/2005	Goto et al.	D10/32
D558,611 S *	1/2008	Wei	D10/38
D584,173 S *	1/2009	Monachon	D10/39
D605,531 S *	12/2009	Salmon	D10/31

* cited by examiner

Primary Examiner — Lucy Lieberman

(74) *Attorney, Agent, or Firm* — Michael A. Blake

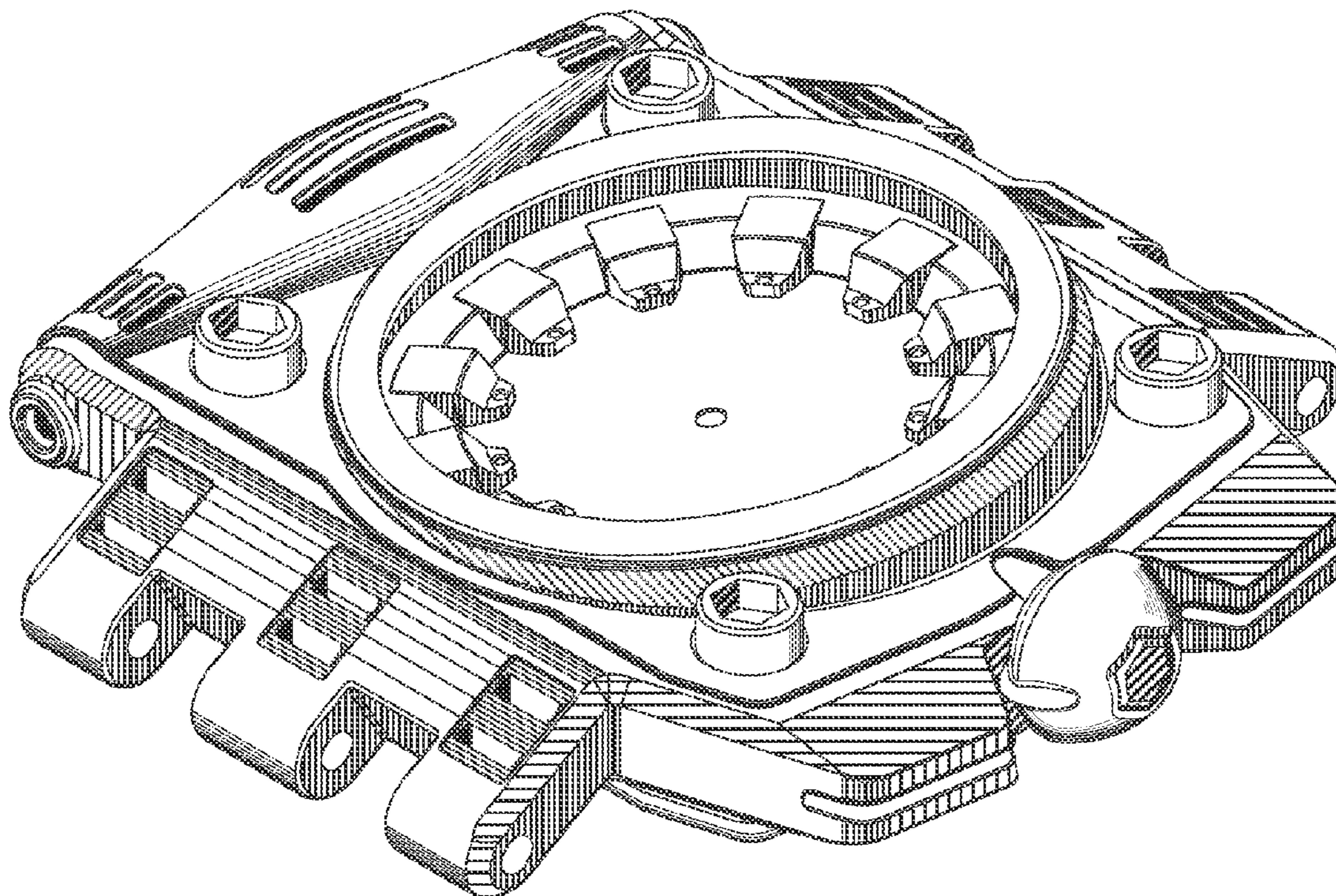
(57) **CLAIM**

The ornamental design for a watch case, as shown and described.

DESCRIPTION

FIG. 1 is a top perspective view of the watch case;
FIG. 2 is a bottom perspective view of the watch case;
FIG. 3 is a top view of the watch case;
FIG. 4 is a bottom view of the watch case;
FIG. 5 is right side view of the watch case;
FIG. 6 is a left side view of the watch case;
FIG. 7 is an lower side view of the watch case; and,
FIG. 8 is an upper side view of the watch case.

1 Claim, 6 Drawing Sheets



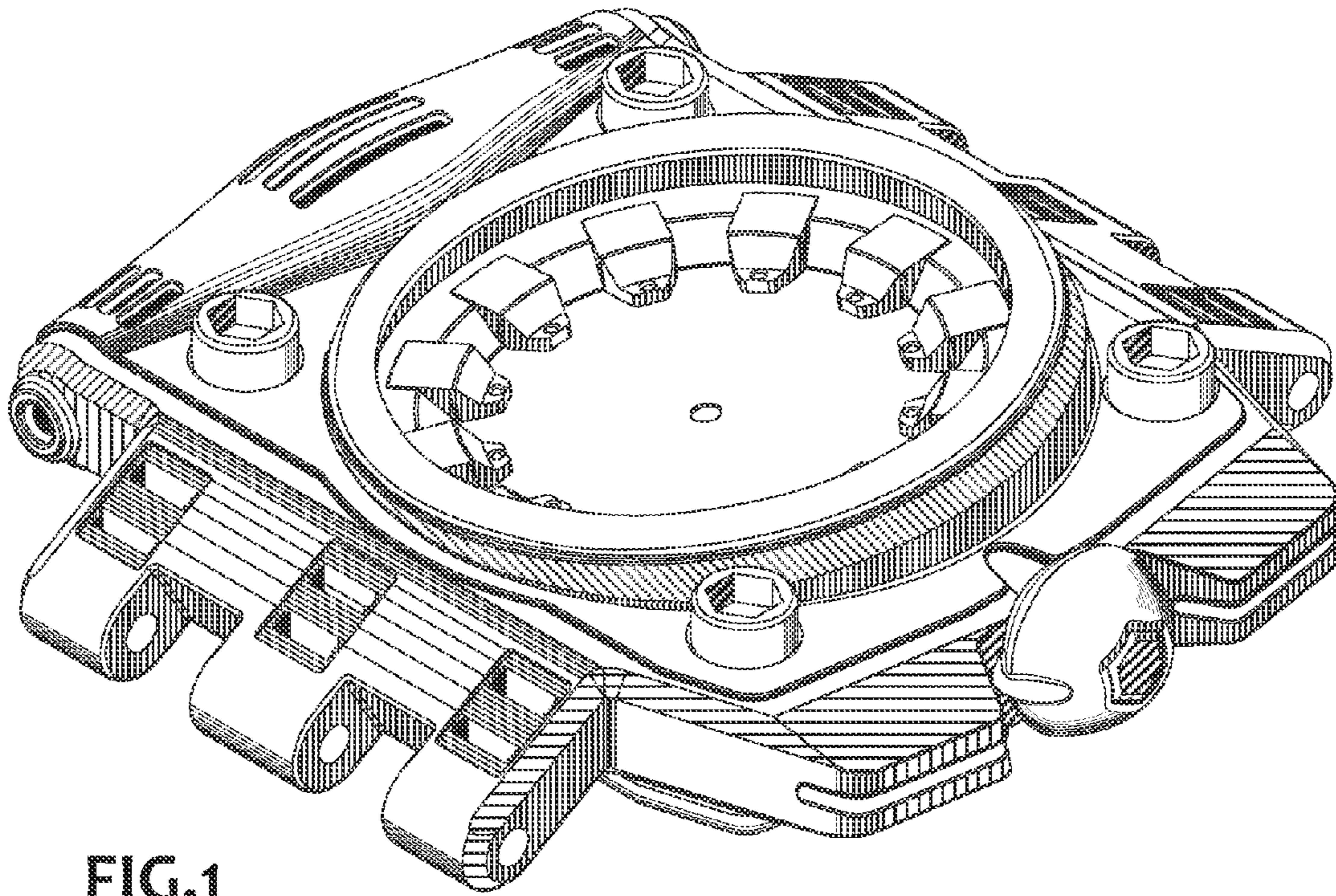


FIG.1

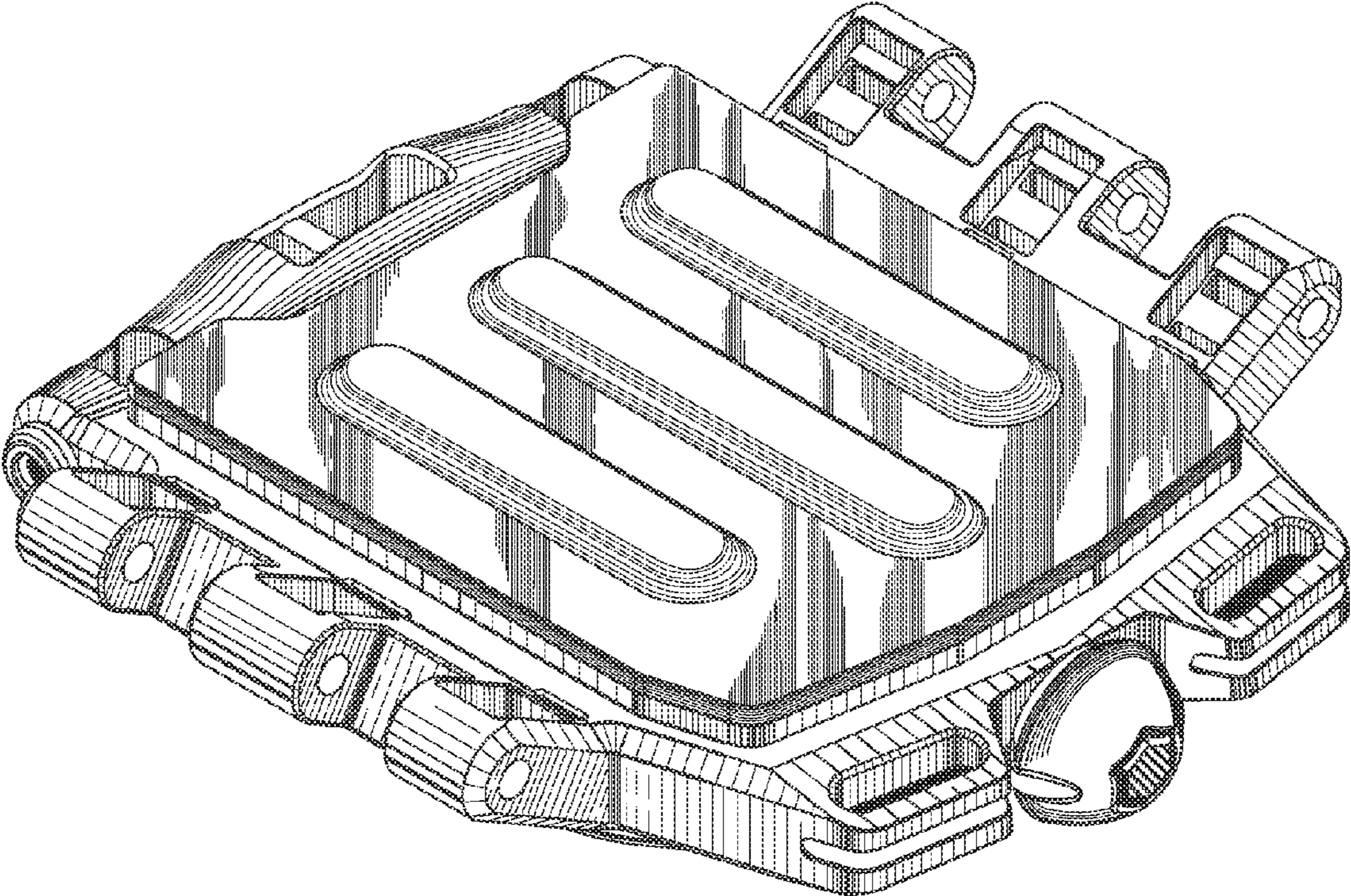


FIG. 2

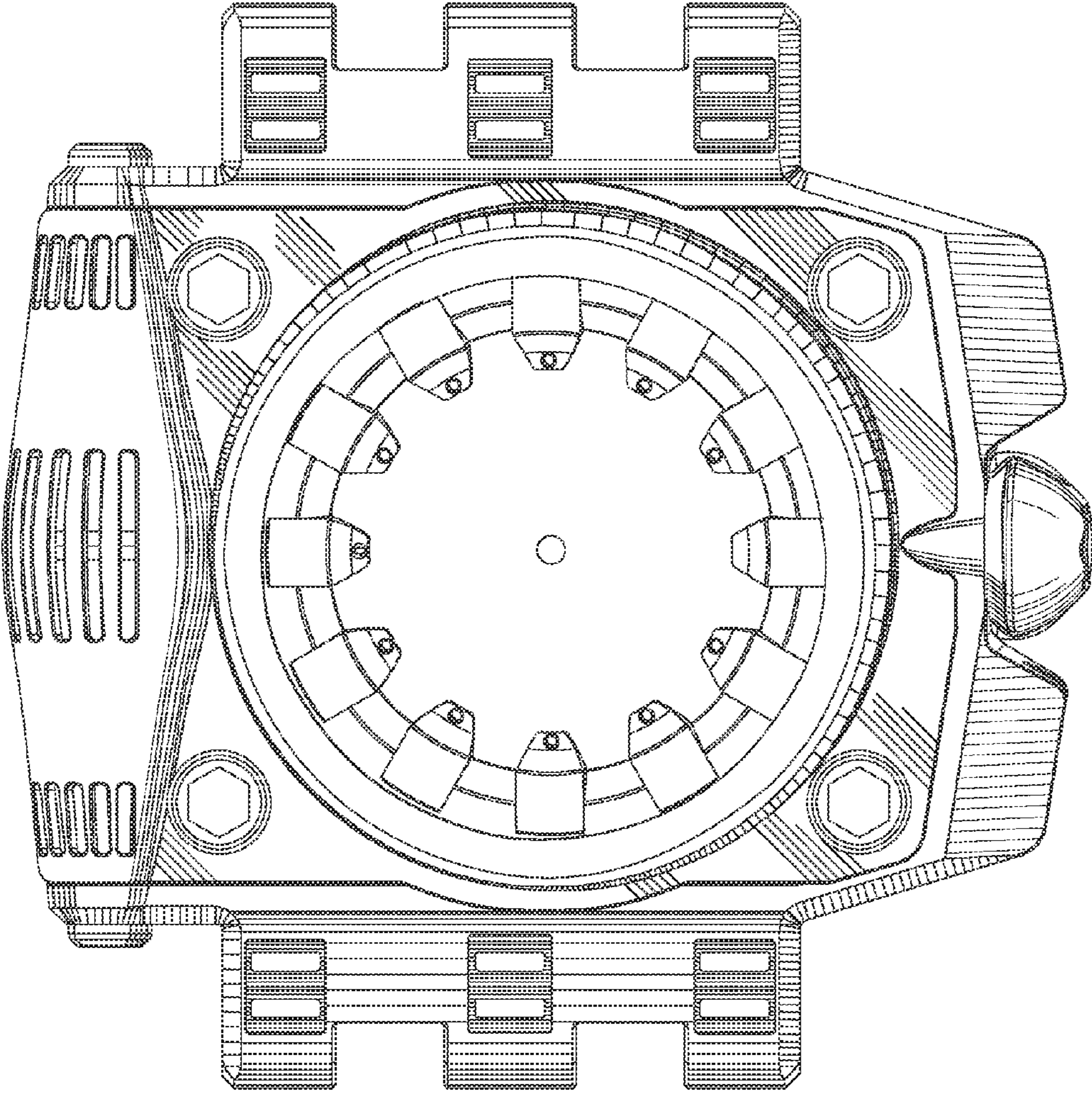


FIG. 3

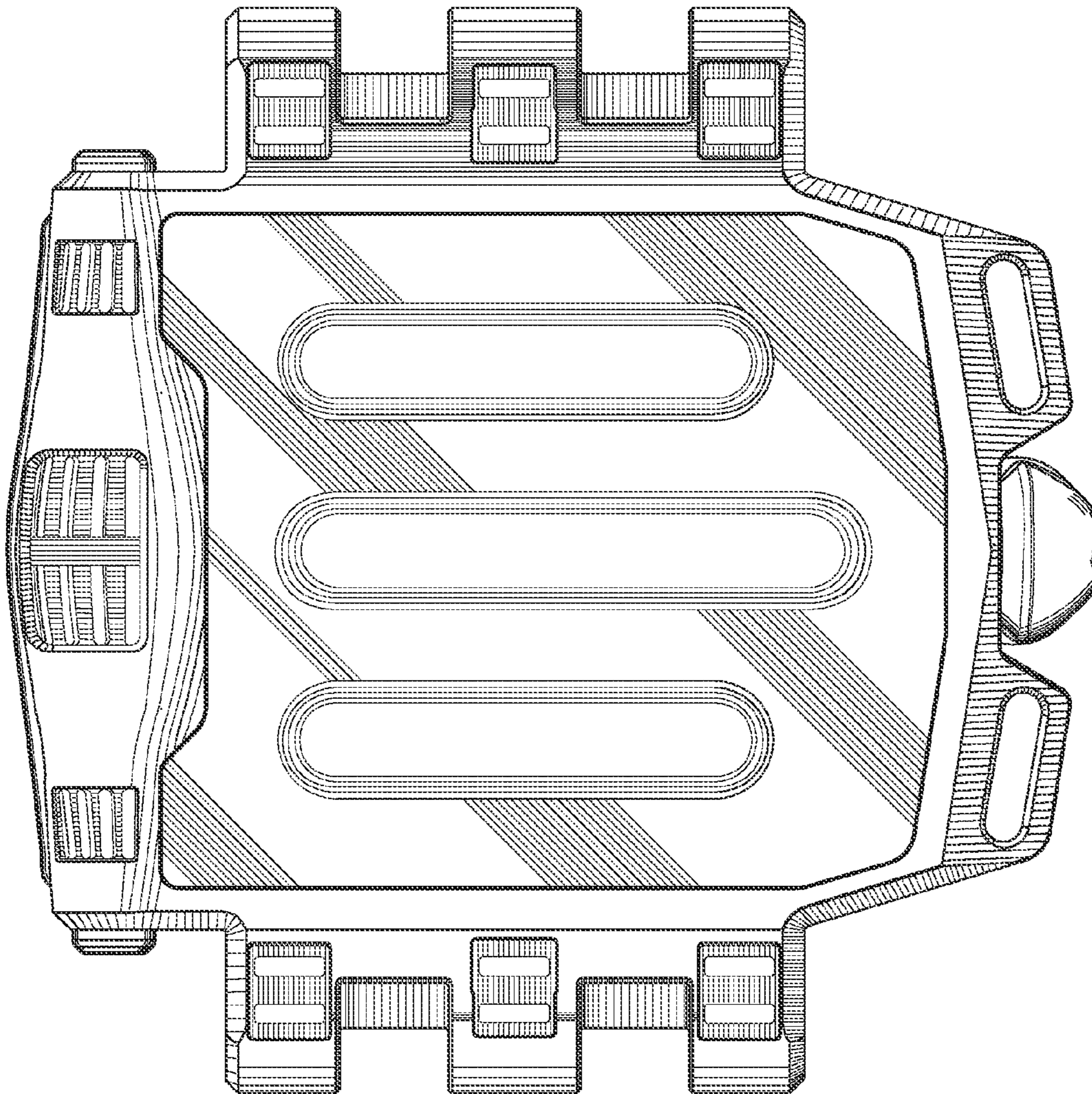


FIG. 4

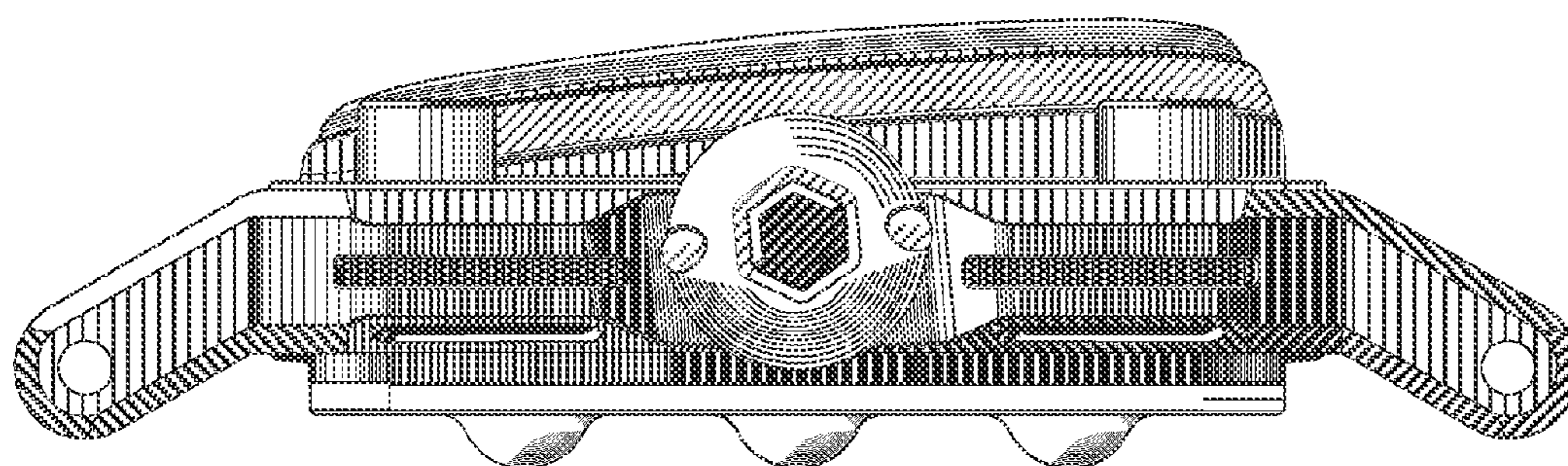


FIG. 5

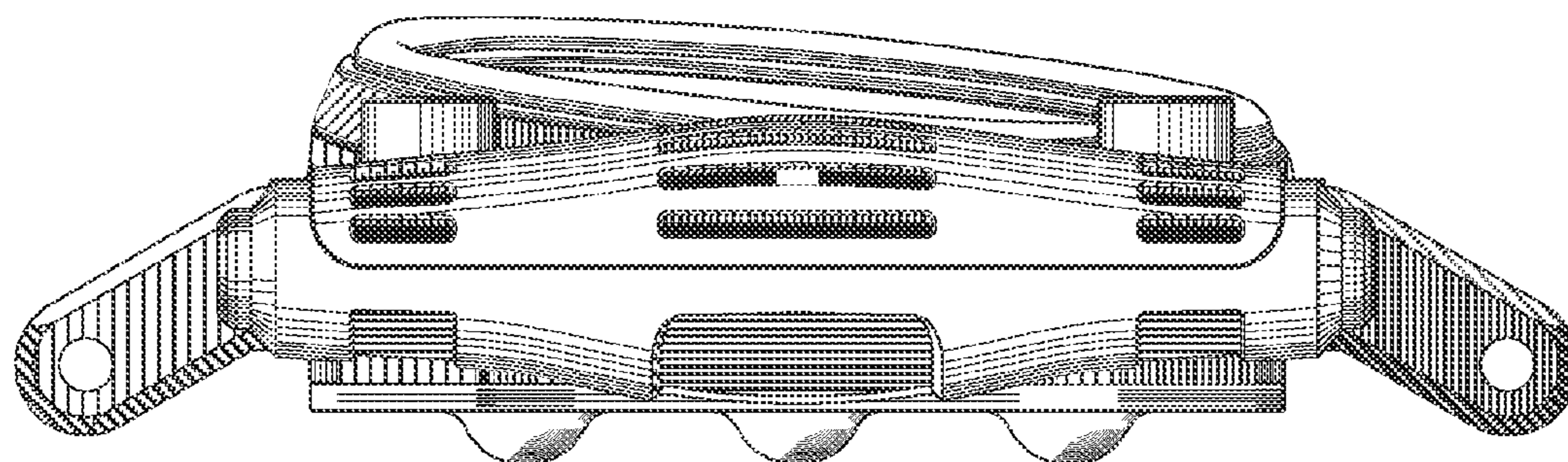


FIG. 6

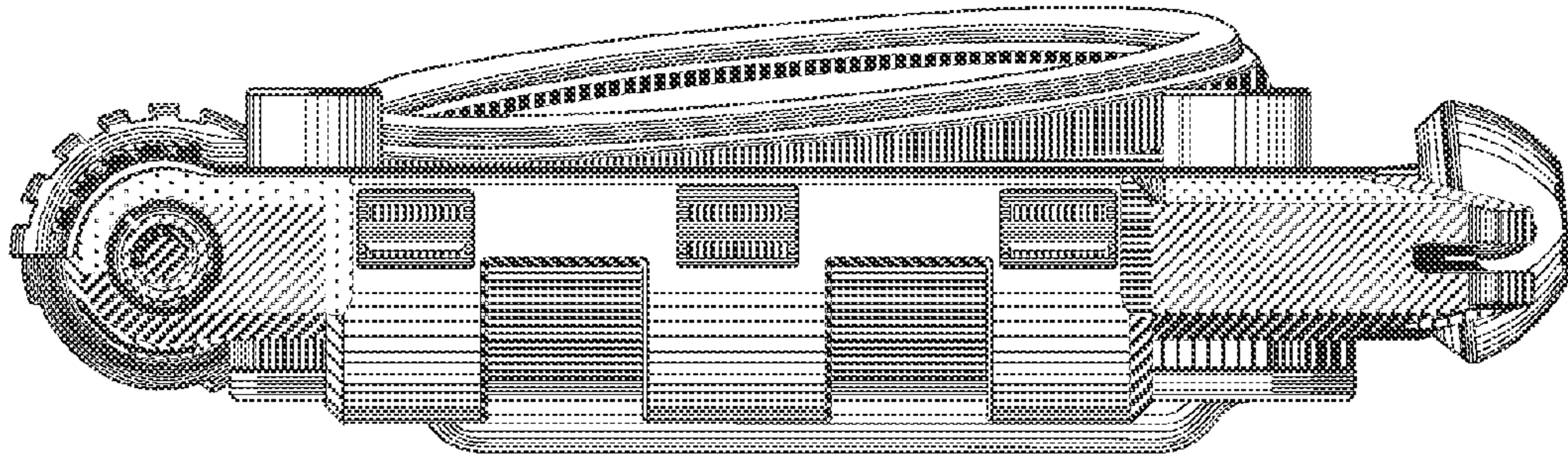


FIG. 7

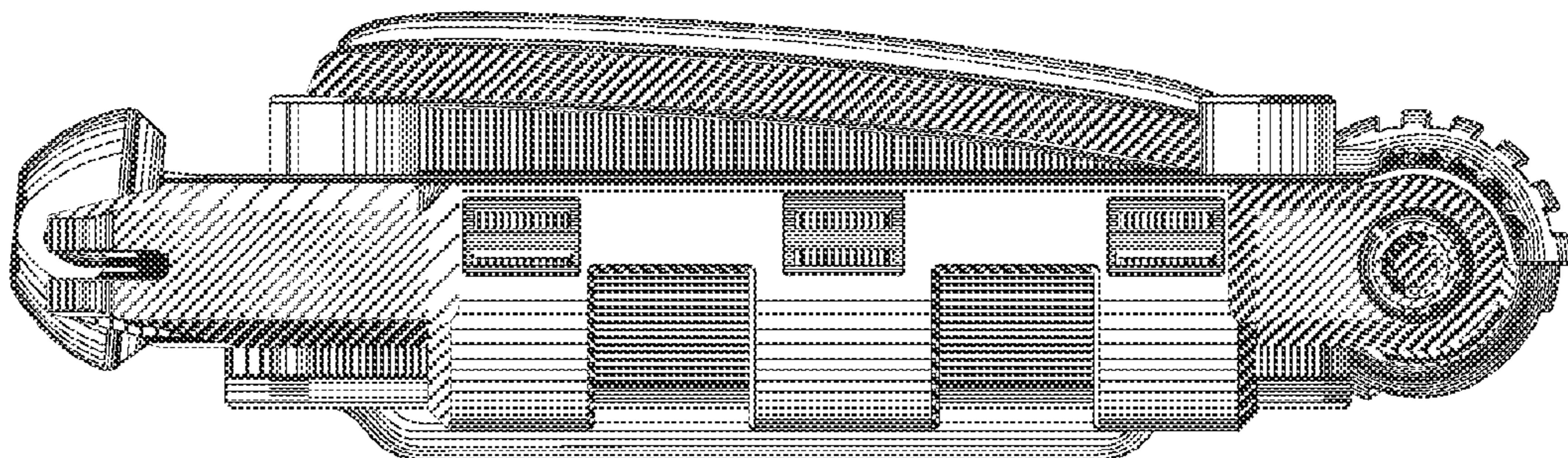


FIG. 8