



US00D645361S

(12) **United States Design Patent**
Parmigiani

(10) **Patent No.:** **US D645,361 S**

(45) **Date of Patent:** **** Sep. 20, 2011**

(54) **WATCH CASE**

(75) Inventor: **Michel Parmigiani**, Fleurier (CH)

(73) Assignee: **Parmigiani Fleurier SA**, Fleurier (CH)

(**) Term: **14 Years**

(21) Appl. No.: **29/372,797**

(22) Filed: **Jan. 14, 2011**

(30) **Foreign Application Priority Data**

Jul. 16, 2010 (WO) DM/074211

(51) **LOC (9) Cl.** **10-02**

(52) **U.S. Cl.** **D10/38**

(58) **Field of Classification Search** D10/30-39;
368/276, 281, 282, 285

See application file for complete search history.

(56) **References Cited**

U.S. PATENT DOCUMENTS

2,361,563	A *	10/1944	Pellaton	368/80
2,385,234	A *	9/1945	Schmitz	368/288
D178,770	S *	9/1956	Doerwald	D10/39
D386,421	S *	11/1997	Kennedy	D10/30
D415,043	S *	10/1999	Fichter	D10/39
D459,241	S *	6/2002	Bodino	D10/32
D471,115	S *	3/2003	Buechner	D10/39
6,570,823	B1 *	5/2003	Gilomen et al.	368/113
D488,724	S *	4/2004	Bertucci	D10/30
D508,416	S *	8/2005	Tang	D10/30

D517,432	S *	3/2006	Laucella	D10/39
D545,222	S *	6/2007	Parmigiani et al.	D10/38
D588,024	S *	3/2009	Binggeli	D10/38
D590,727	S *	4/2009	Wei	D10/38
D608,223	S *	1/2010	Salanitro	D10/38
D611,842	S *	3/2010	Parmigiani	D10/38
D622,167	S *	8/2010	Jorst et al.	D10/39
D624,443	S *	9/2010	Cerrato	D10/38
D632,979	S *	2/2011	Chastaingt	D10/38
D633,812	S *	3/2011	Yurman	D10/32

* cited by examiner

Primary Examiner — Lucy Lieberman

(74) *Attorney, Agent, or Firm* — Clifford W. Browning;
Krieg DeVault LLP

(57) **CLAIM**

The ornamental design for a watch case, as shown and described.

DESCRIPTION

FIG. 1 is a right hand perspective view of the watch case of the present invention.

FIG. 2 is a left hand perspective view of the watch case of FIG. 1.

FIG. 3 is a top view of the watch case of FIG. 1.

FIG. 4 is a bottom view of the watch case of FIG. 1.

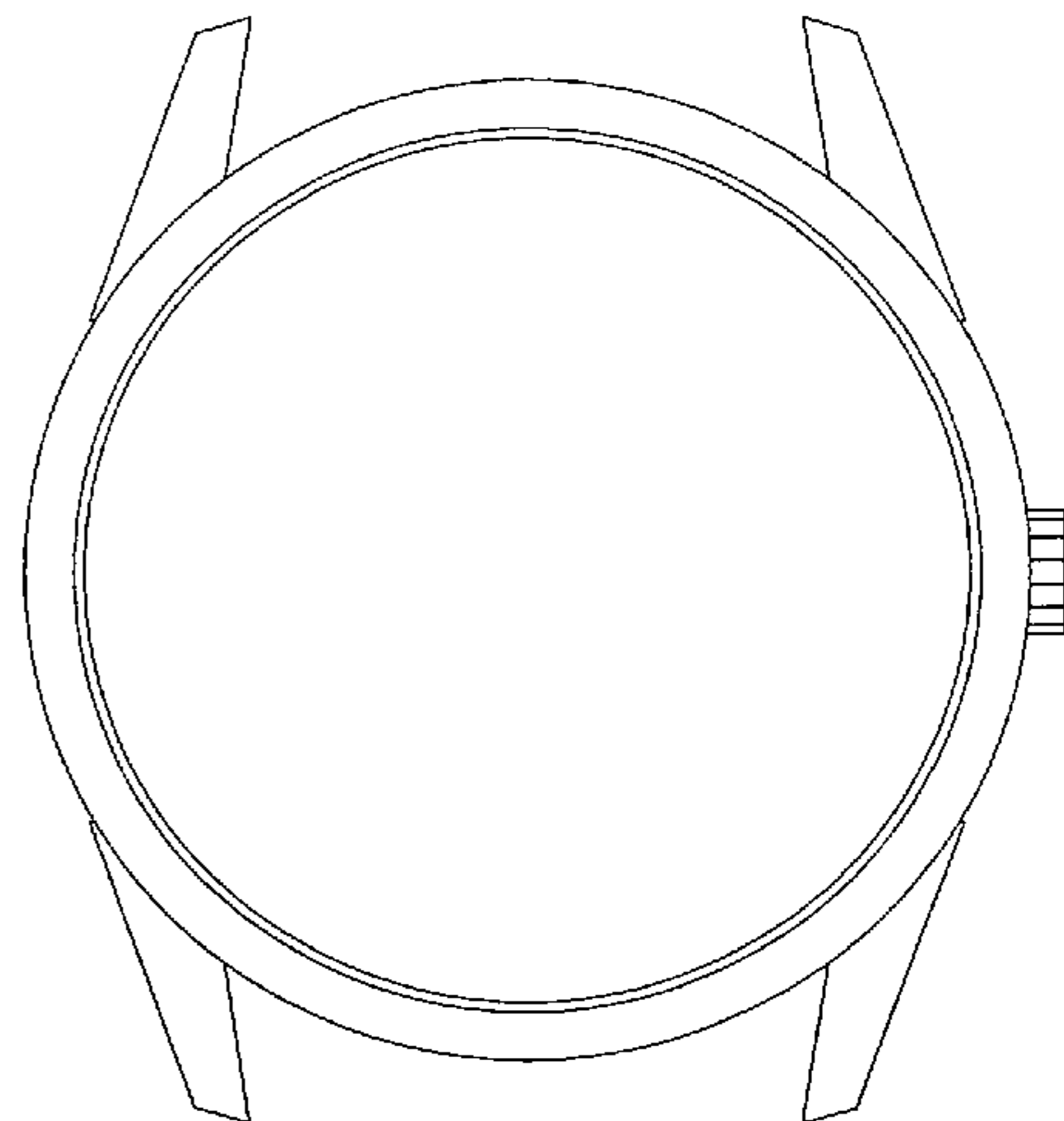
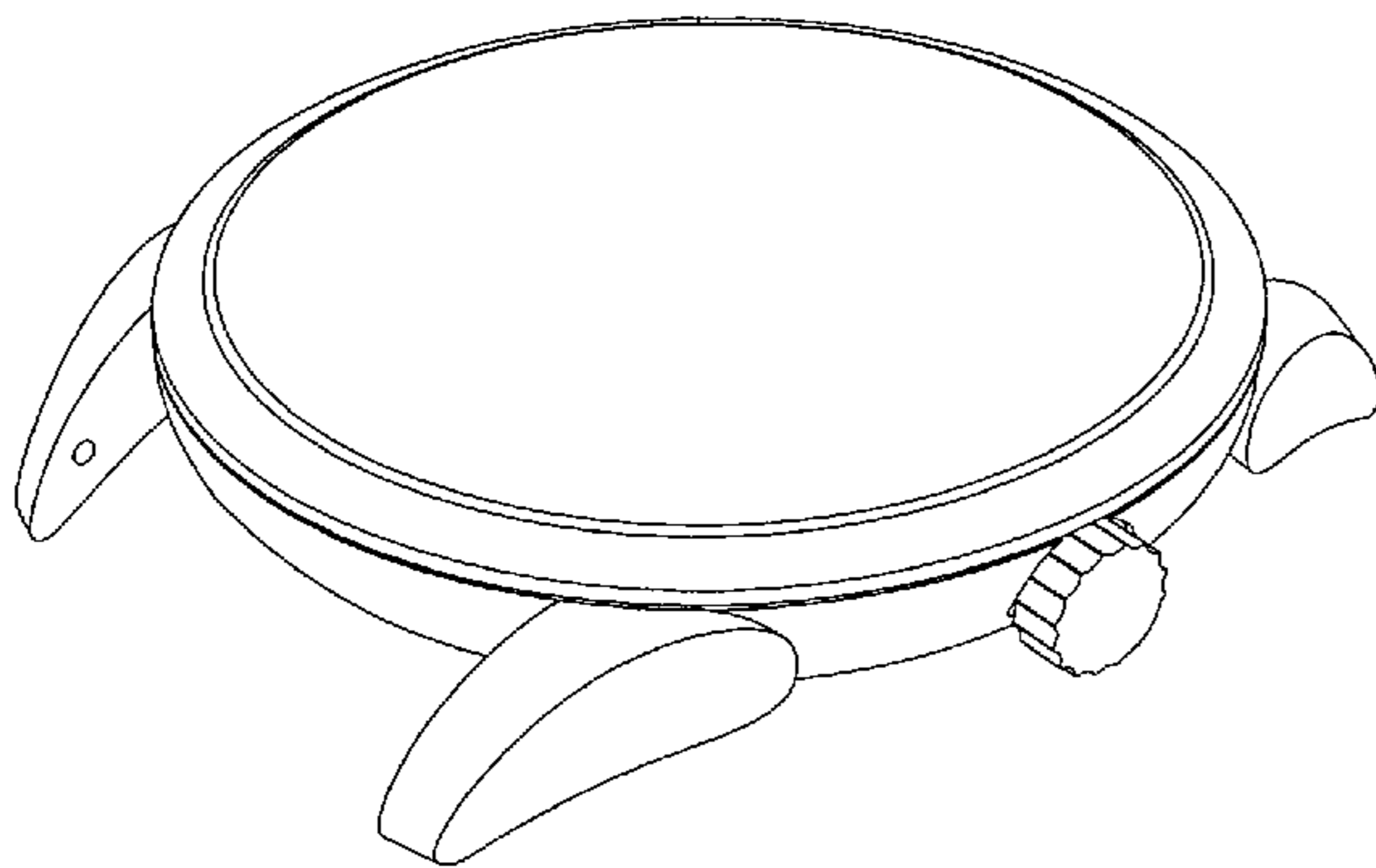
FIG. 5 is a right hand view of the watch case of FIG. 1.

FIG. 6 is a rear view of the watch case of FIG. 1.

FIG. 7 is a left hand view of the watch case of FIG. 1; and,

FIG. 8 is a front view of the watch case of FIG. 1.

1 Claim, 2 Drawing Sheets



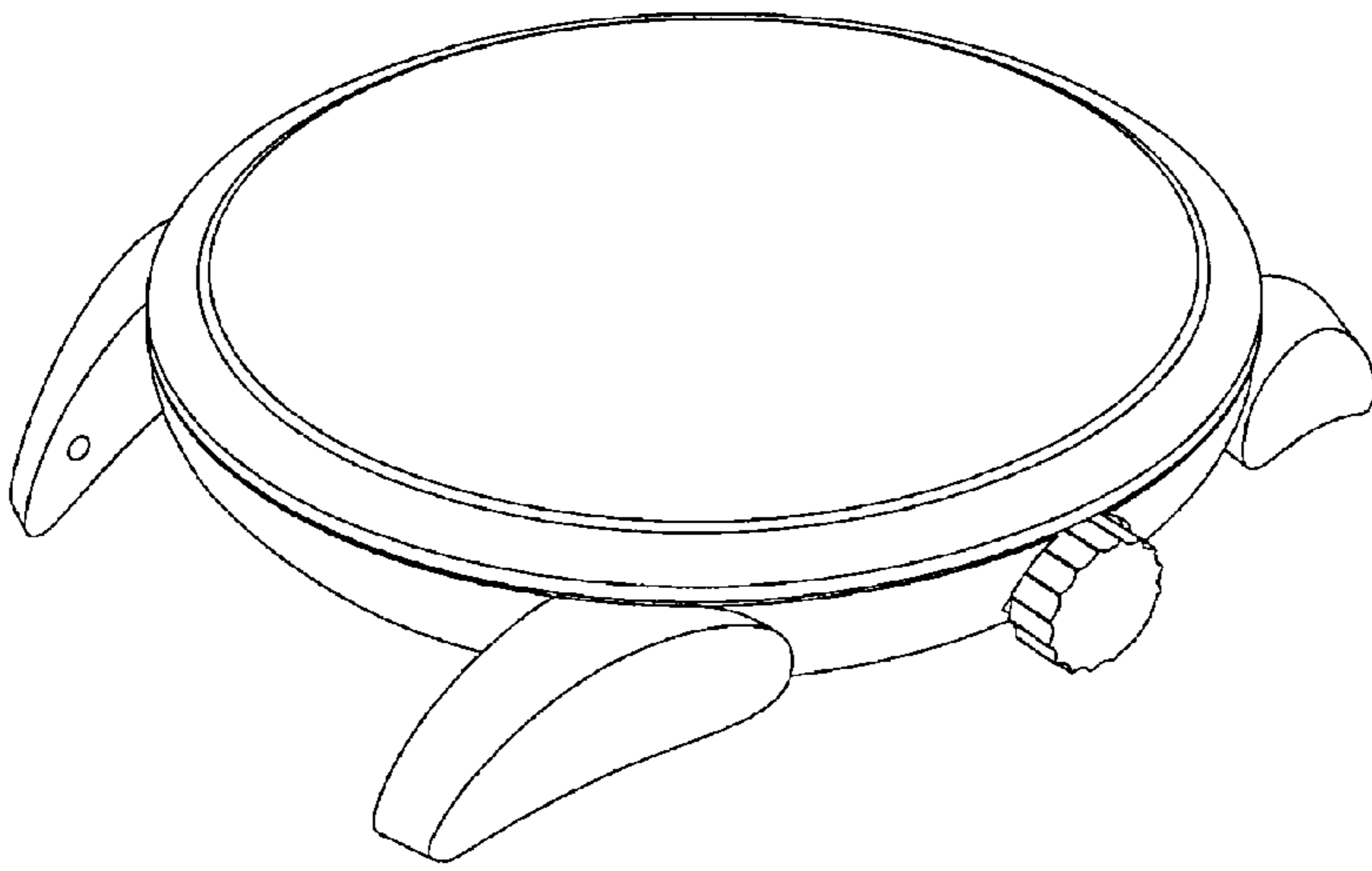


FIG. 1

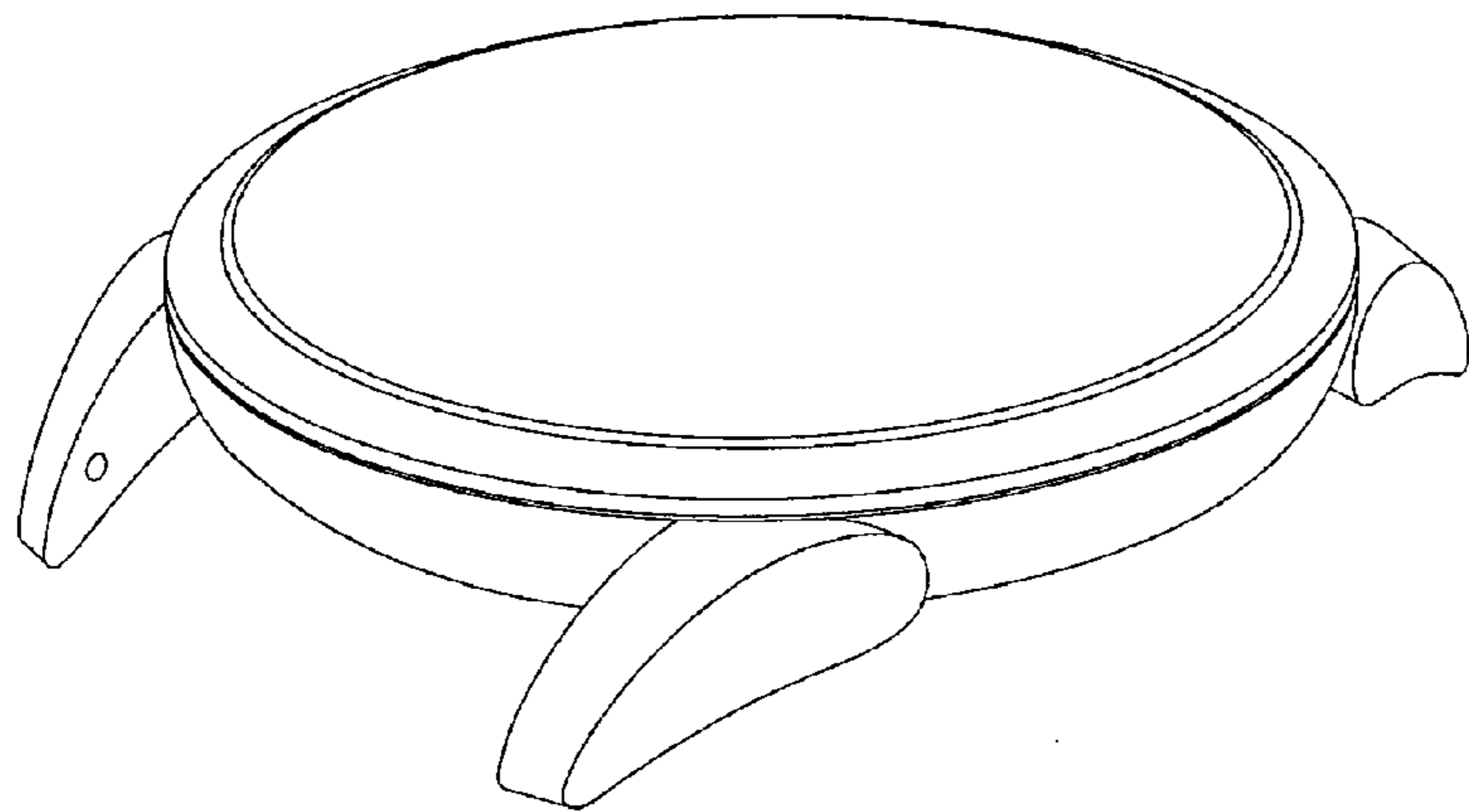


FIG. 2

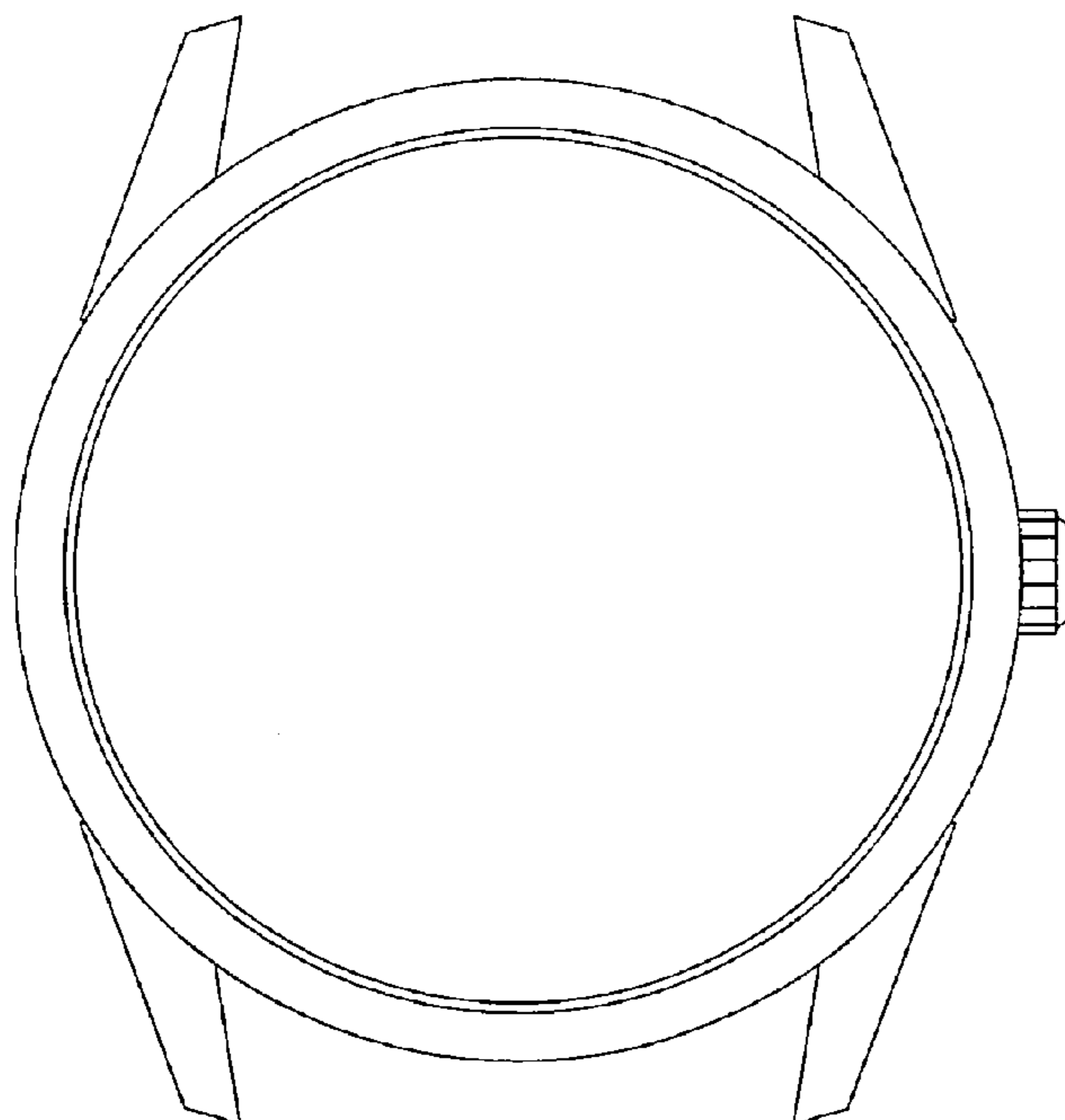


FIG. 3

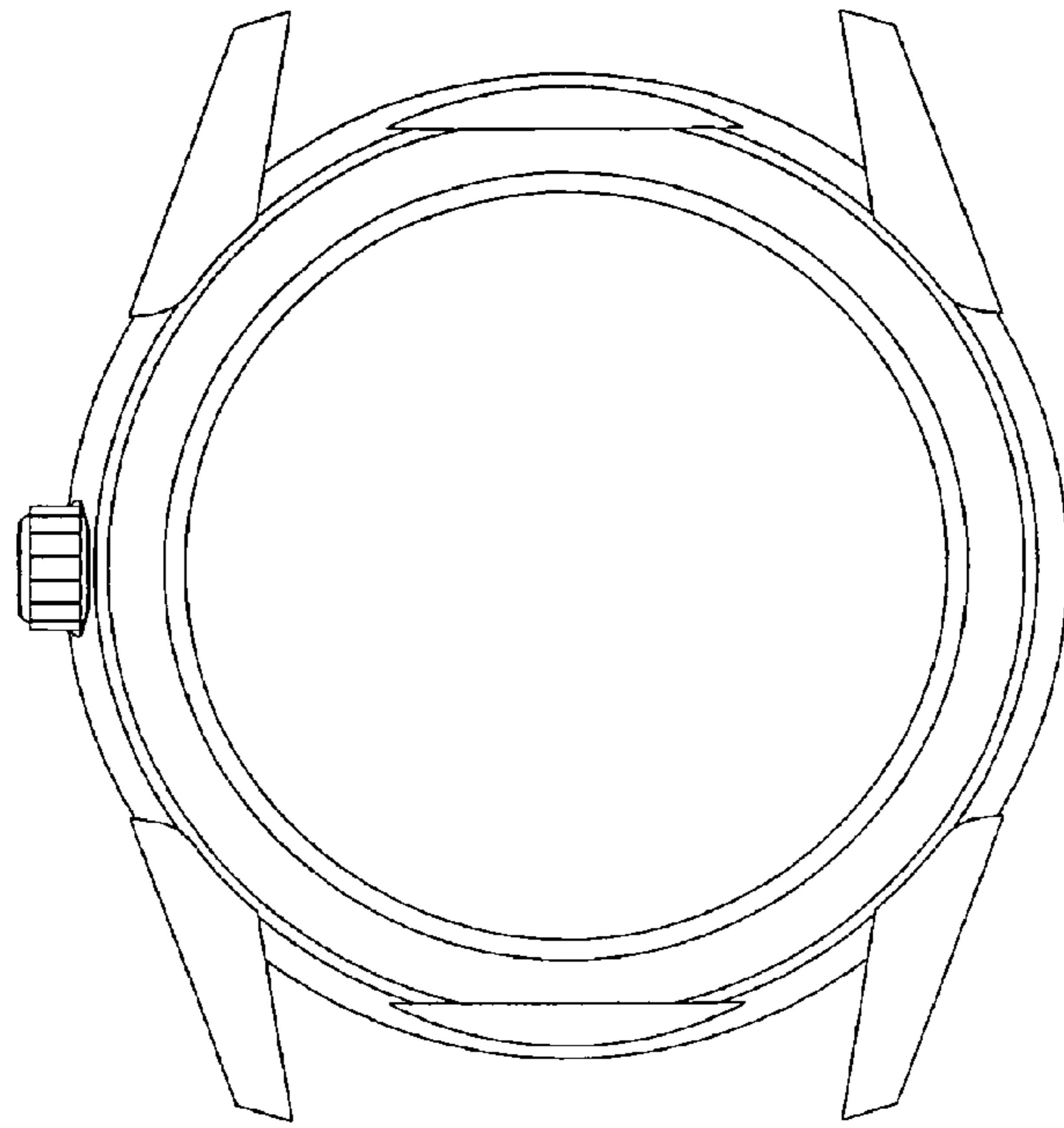


FIG. 4

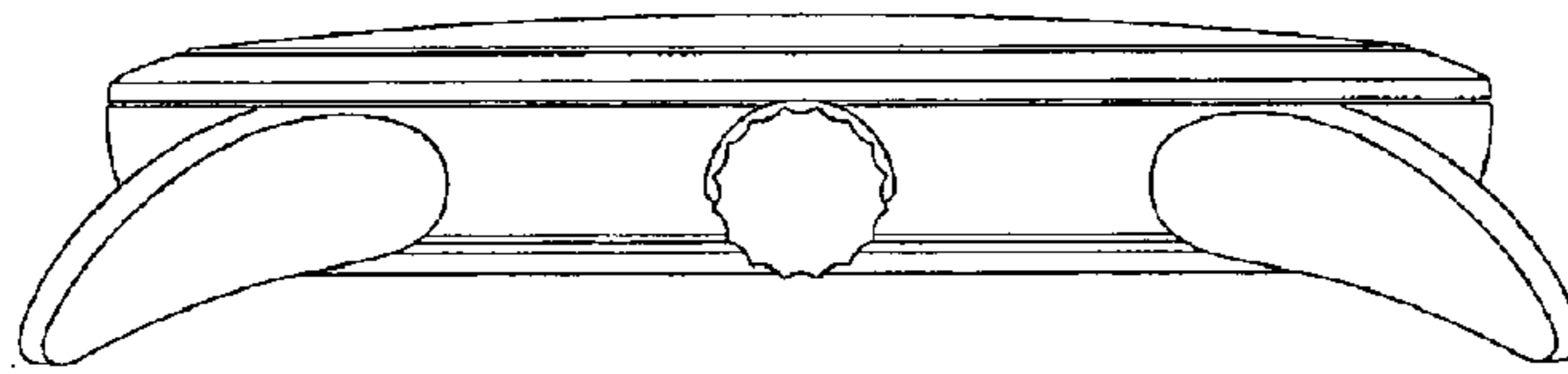


FIG. 5

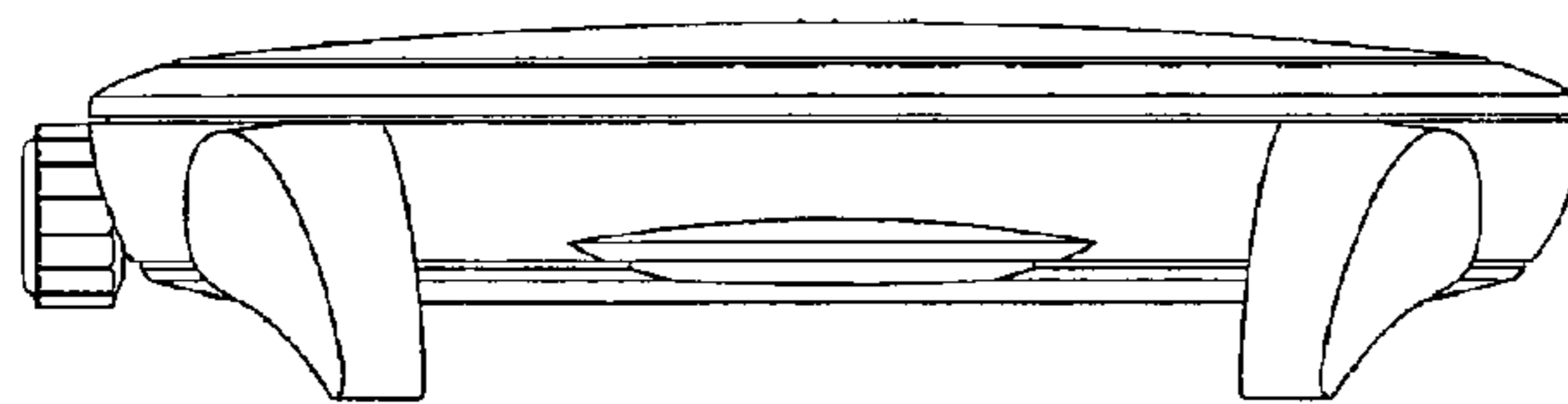


FIG. 6

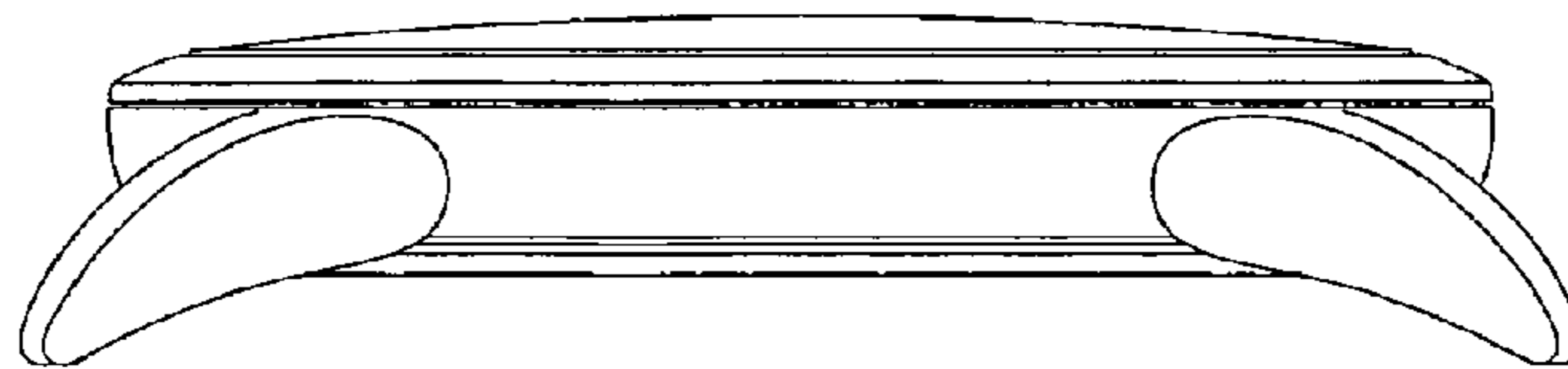


FIG. 7

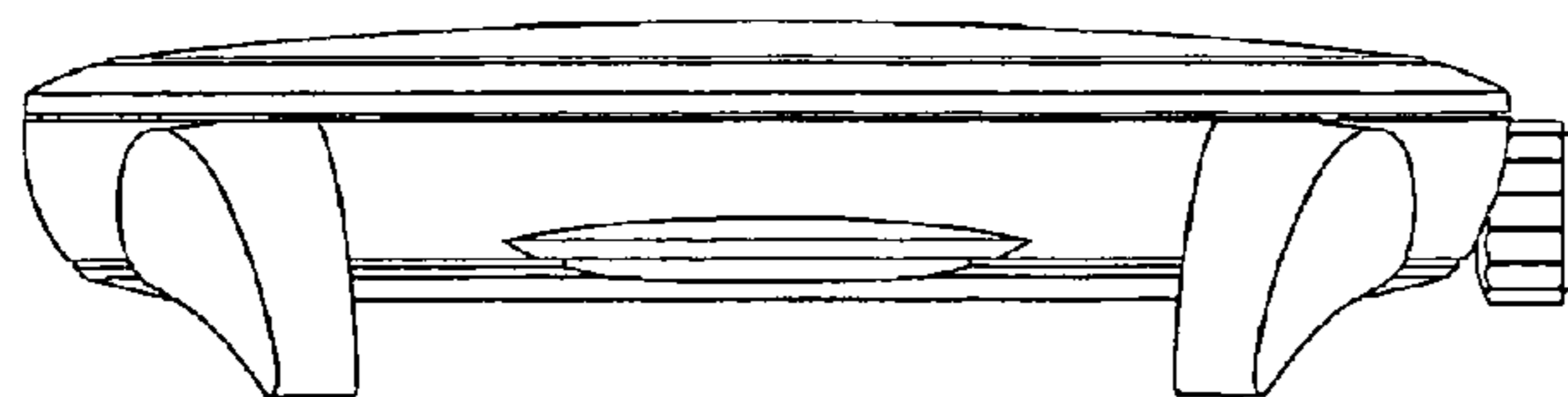


FIG. 8