

US00D645356S

(12) **United States Design Patent**
Wheaton et al.

(10) **Patent No.:** **US D645,356 S**

(45) **Date of Patent:** **** Sep. 20, 2011**

(54) **BOTTLE**

(75) Inventors: **Keely Eileen Wheaton**, Minneapolis, MN (US); **J. Steven Little**, Wadsworth, OH (US); **James J. Miller**, Barberton, OH (US); **Fei Cao**, Miami, FL (US); **Amy Gina Kim**, Los Angeles, CA (US); **Kyle Robert Gati**, Deerfield, IL (US); **Jason Craig Campbell**, Chicago, IL (US)

(73) Assignee: **Kraft Foods Global Brands LLC**, Northfield, IL (US)

(**) Term: **14 Years**

(21) Appl. No.: **29/388,250**

(22) Filed: **Mar. 25, 2011**

Related U.S. Application Data

(60) Division of application No. 29/361,029, filed on May 4, 2010, which is a continuation of application No. 29/333,768, filed on Mar. 13, 2009, now abandoned.

(51) **LOC (9) Cl.** **09-01**

(52) **U.S. Cl.** **D9/542; D9/563; D9/565; D9/571; D9/454**

(58) **Field of Classification Search** D9/516, D9/529, 530, 541, 542, 549, 550, 551, 552, D9/558, 563, 564, 565, 571, 574; 215/381-385; 220/660, 669, 675, 600, 608
See application file for complete search history.

(56) **References Cited**

U.S. PATENT DOCUMENTS

| | | | | | |
|------------|---|---------|----------|-------|--------|
| D48,140 S | * | 11/1915 | Wolfson | | D9/542 |
| D94,069 S | | 12/1934 | Brenner | | |
| D156,219 S | | 11/1949 | Deskey | | |
| D164,678 S | | 10/1952 | Du Pree | | |
| D168,523 S | | 12/1952 | Sittason | | |

| | | |
|--------------|---------|----------------------|
| D213,767 S | 4/1969 | Fuerst |
| 5,370,266 A | 12/1994 | Woodruff |
| D360,582 S | 7/1995 | McDonald et al. |
| D365,752 S | 1/1996 | Flanagan-Boos et al. |
| D384,285 S | 9/1997 | D'Amico et al. |
| D405,357 S | 2/1999 | Sell |
| D412,845 S | 8/1999 | Miller et al. |
| D413,807 S | 9/1999 | Mikla |
| D418,748 S | 1/2000 | Kuzma et al. |
| D428,573 S | 7/2000 | Colonna et al. |
| D433,637 S | 11/2000 | Hailey et al. |
| D450,247 S | 11/2001 | Johnson et al. |
| D452,159 S | 12/2001 | Belser et al. |
| D480,008 S | 9/2003 | Maus |
| 6,637,613 B2 | 10/2003 | Shimada et al. |
| D486,741 S | 2/2004 | Houghton |
| D496,283 S | 9/2004 | Busa, Jr. |
| D497,108 S | 10/2004 | Lund et al. |
| D497,810 S | 11/2004 | Maus |
| D498,680 S | 11/2004 | Cleary |

(Continued)

Primary Examiner — Stella M. Reid

Assistant Examiner — Elizabeth J Oswecki

(74) *Attorney, Agent, or Firm* — Fitch, Even, Tabin & Flannery

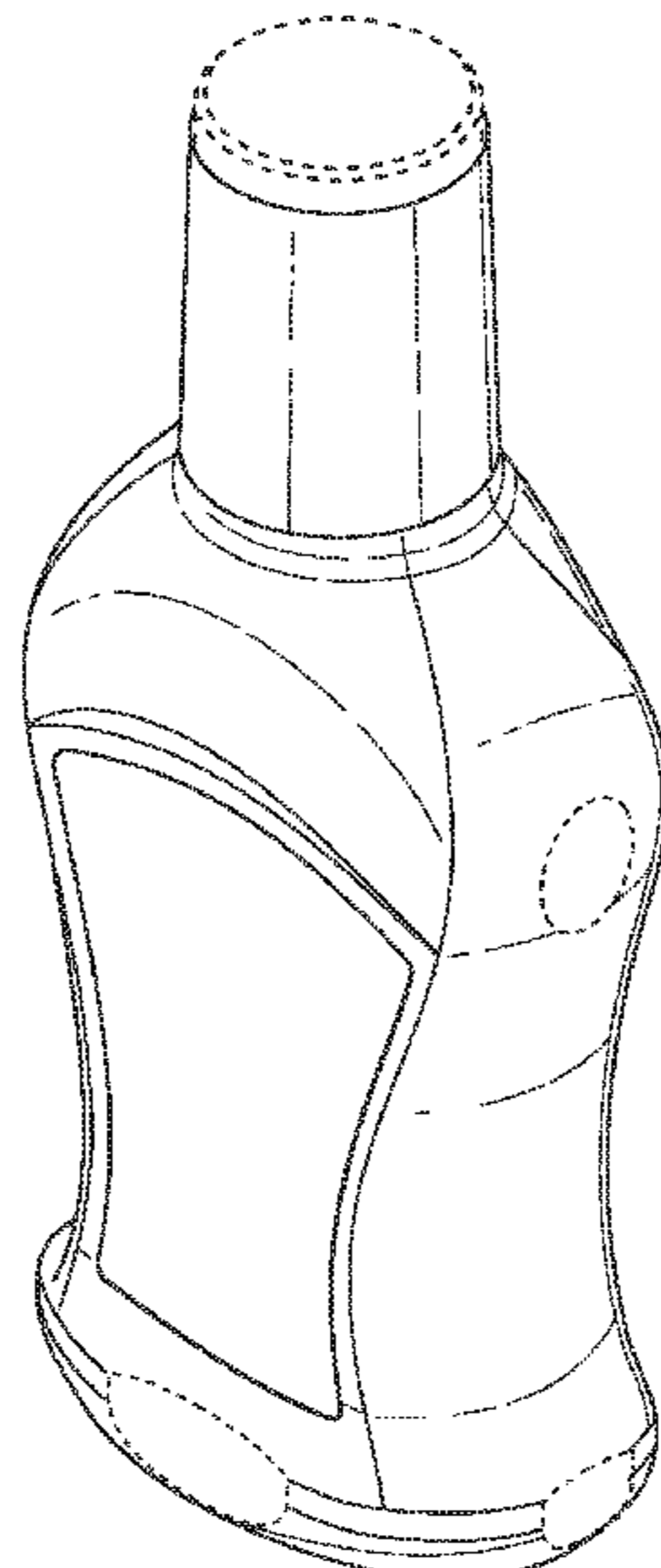
(57) **CLAIM**

The ornamental design for a bottle, as shown and described.

DESCRIPTION

FIG. 1 is a top, front, right side perspective view of a bottle showing our new design;
FIG. 2 is a front elevation view thereof, the rear elevation view being identical thereto;
FIG. 3 is a side elevation view thereof, the opposite side being identical thereto;
FIG. 4 is a top plan view thereof; and,
FIG. 5 is a bottom plan view thereof.
The broken lines shown in the drawings are for illustrative purposes only and form no part of the claimed design.

1 Claim, 3 Drawing Sheets



US D645,356 S

Page 2

| U.S. PATENT DOCUMENTS | | | | | |
|-----------------------|---------|-------------------------|-------------------|---------|------------------------------|
| D503,626 S | 4/2005 | Maus | D566,576 S * | 4/2008 | Thompson D9/643 |
| D504,320 S | 4/2005 | Maus | D568,164 S | 5/2008 | Dodge et al. |
| D506,140 S | 6/2005 | Maus | D569,733 S | 5/2008 | Dodge et al. |
| D511,970 S | 11/2005 | Cleary | D570,696 S * | 6/2008 | Yano et al. D9/530 |
| D512,642 S | 12/2005 | Busa, Jr. et al. | D578,398 S | 10/2008 | Kuzma et al. |
| D513,189 S | 12/2005 | Busa, Jr. et al. | D582,778 S | 12/2008 | Burson |
| D514,945 S * | 2/2006 | Busa et al. D9/542 | D585,746 S | 2/2009 | Dodge et al. |
| D528,429 S | 9/2006 | Bartel | D585,747 S | 2/2009 | Dodge et al. |
| D533,069 S | 12/2006 | Archeny | D585,752 S | 2/2009 | Shami |
| D534,805 S | 1/2007 | Larocca | D585,755 S | 2/2009 | Dodge et al. |
| D535,889 S | 1/2007 | Kaminski et al. | D608,210 S * | 1/2010 | Kuzma et al. D9/542 |
| D536,619 S * | 2/2007 | Heisner D9/541 | D609,576 S * | 2/2010 | Kuzma et al. D9/570 |
| D539,659 S | 4/2007 | Cleary et al. | D614,965 S * | 5/2010 | Toh et al. D9/563 |
| D546,189 S | 7/2007 | Costello et al. | D616,309 S * | 5/2010 | Toh et al. D9/563 |
| D546,700 S | 7/2007 | Bourne | D616,758 S * | 6/2010 | Toh et al. D9/563 |
| D547,198 S | 7/2007 | Eaton et al. | D622,146 S * | 8/2010 | Wheaton et al. D9/516 |
| D547,670 S | 7/2007 | Heisner | D624,429 S * | 9/2010 | Gedanke D9/542 |
| D550,092 S | 9/2007 | Wang et al. | D626,002 S * | 10/2010 | Charyszyn et al. D9/542 |
| D555,484 S | 11/2007 | Norris et al. | D632,181 S | 2/2011 | Kuzma et al. |
| D556,043 S | 11/2007 | Rabie | D632,582 S | 2/2011 | Kuzma et al. |
| D560,508 S | 1/2008 | Lepoitevin | D635,462 S * | 4/2011 | Kuzma et al. D9/542 |
| D561,034 S | 2/2008 | Francis | D637,915 S * | 5/2011 | Huang D9/542 |
| D564,891 S | 3/2008 | Clark et al. | 2006/0065618 A1 * | 3/2006 | Pedmo et al. 215/381 |

* cited by examiner

Fig. 1

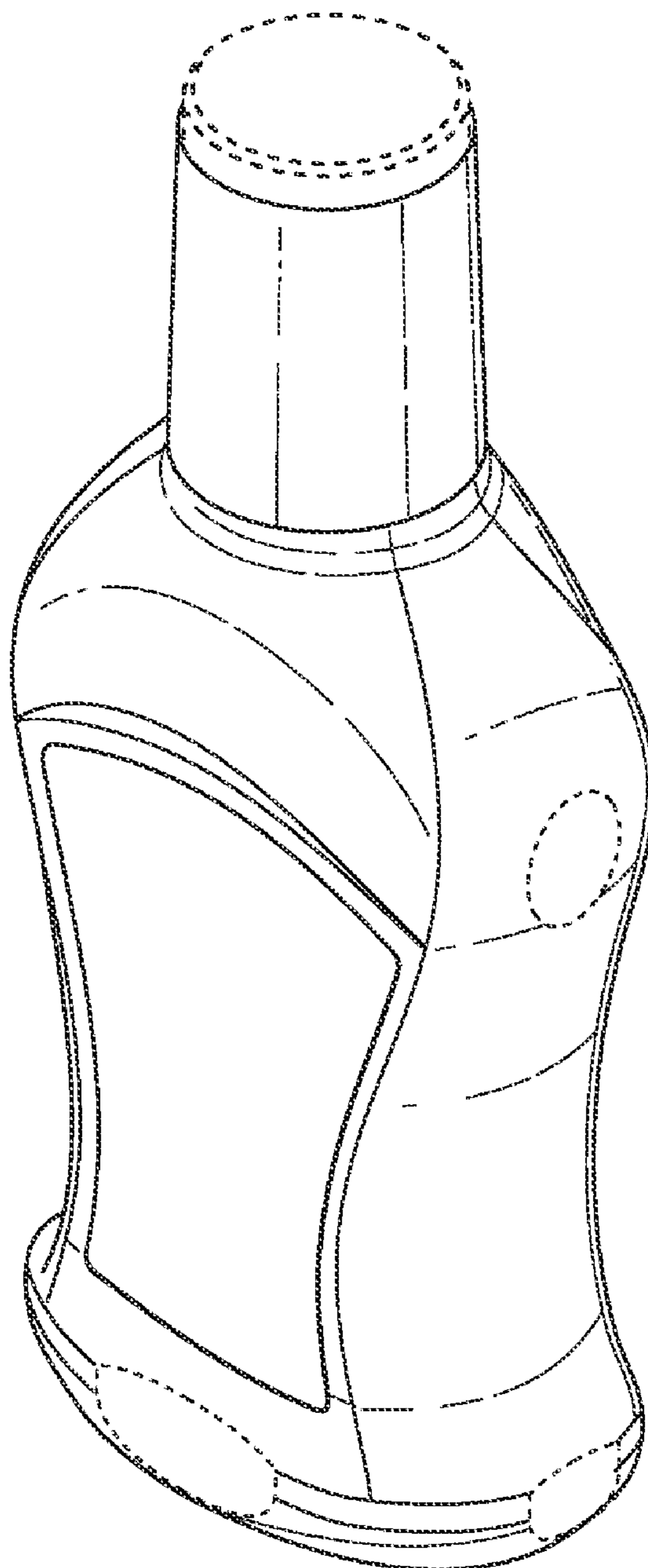


Fig. 2

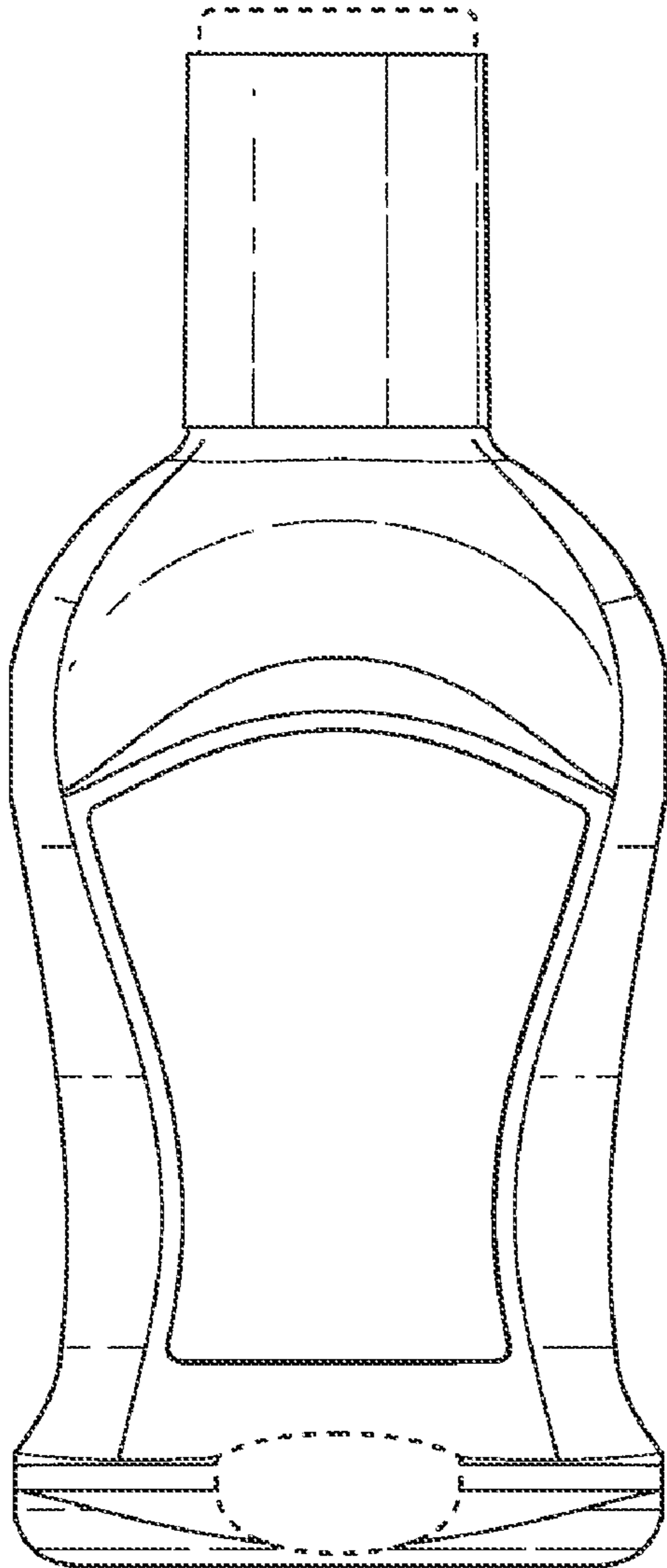


Fig. 3

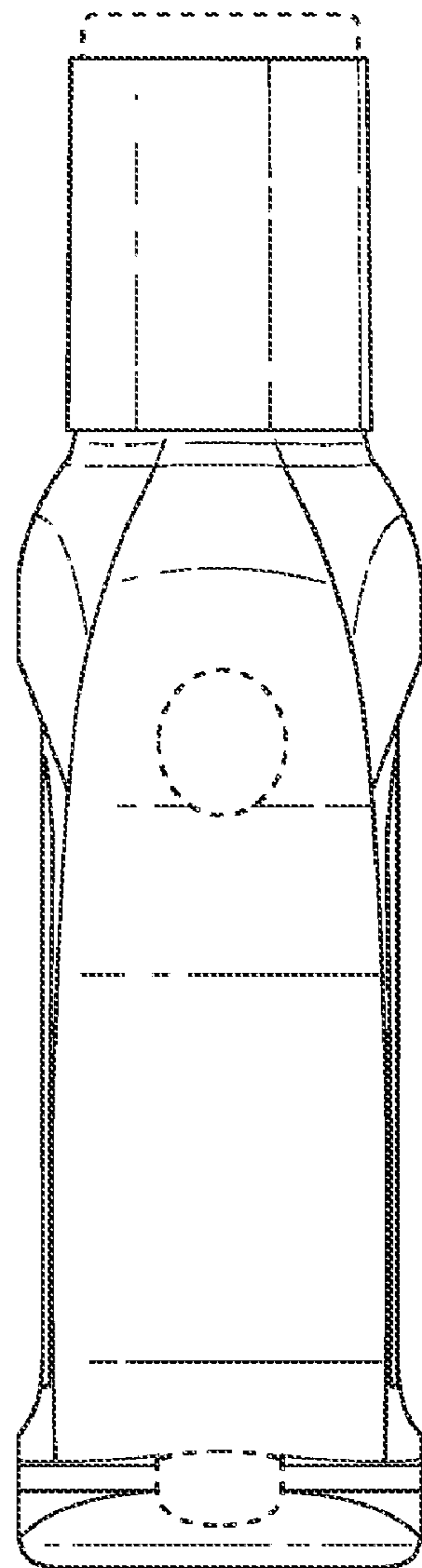


Fig. 4

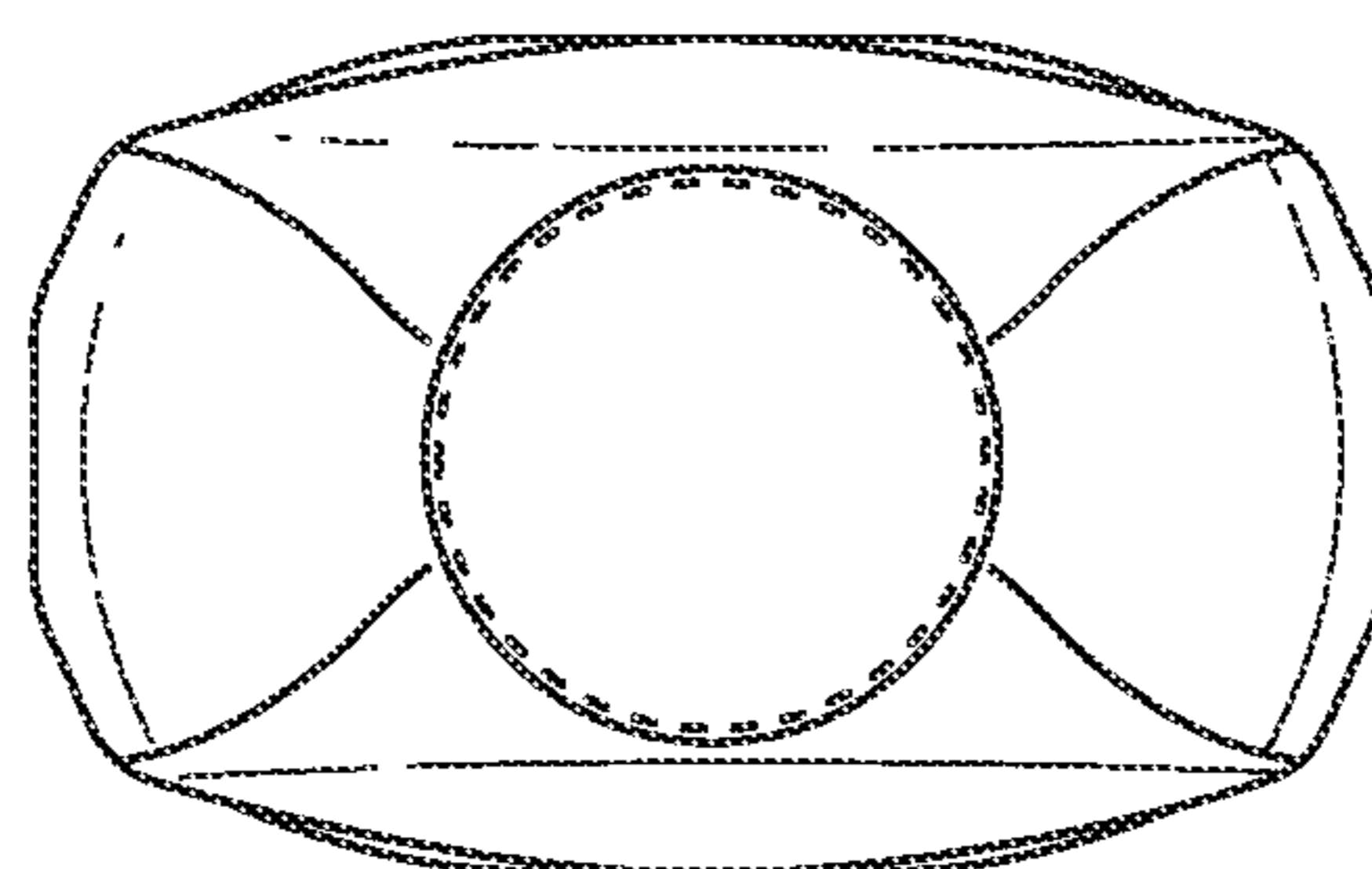


Fig. 5

