



US00D645354S

(12) **United States Design Patent**
Doerr et al.

(10) **Patent No.:** **US D645,354 S**

(45) **Date of Patent:** **** Sep. 20, 2011**

(54) **CONTAINER**

(75) Inventors: **Stephen Doerr**, Frisco, TX (US); **Gary I. Voss**, Medina, OH (US); **Chris Kaminski**, Northfield Center, OH (US)

(73) Assignee: **Mott's LLP**, Rye Brook, NY (US)

(**) Term: **14 Years**

(21) Appl. No.: **29/358,879**

(22) Filed: **Apr. 1, 2010**

(51) **LOC (9) Cl.** **09-01**

(52) **U.S. Cl.** **D9/516**

(58) **Field of Classification Search** D9/500,

D9/502, 503, 504, 505, 516, 520, 545, 546,
D9/549, 551, 556, 558, 574; 215/379, 381-385;
220/660, 669, 675

See application file for complete search history.

(56) **References Cited**

U.S. PATENT DOCUMENTS

D21,509 S *	4/1892	Oberfelder	D9/545
D22,058 S *	12/1892	Rockwood	D9/545
D29,493 S *	10/1898	Burnett	D9/500
D32,283 S *	2/1900	Farnan	D9/545
D32,470 S *	4/1900	Schilling	D9/545
D60,591 S *	3/1922	Tyner	D9/556
D62,785 S *	7/1923	Marble	D9/556
D74,073 S *	12/1927	Reese	D7/300
D75,426 S *	6/1928	Jasper	D9/554
D98,931 S *	3/1936	Gerber	D9/500
D99,407 S *	4/1936	McManus	D9/764
D99,434 S *	4/1936	Fuerst	D9/553
D99,902 S *	6/1936	Stanley	D9/500
D104,453 S *	5/1937	Kihn	D9/538
D178,808 S *	9/1956	Rostrenuak	D9/500
D198,870 S *	8/1964	Elton	D9/538
D198,942 S *	8/1964	Johns	D9/551
D211,562 S *	7/1968	Duboeuf	D9/500
D212,351 S *	10/1968	Strobe	D9/689
D212,524 S *	10/1968	Weckman	D9/545
3,606,262 A *	9/1971	Vant Hoff	366/341

D222,340 S *	10/1971	Weckman	D9/556
D233,982 S *	12/1974	De Graw	D9/500
D276,285 S *	11/1984	Tober et al.	D3/300
D335,455 S *	5/1993	Brown	D9/537
5,261,558 A *	11/1993	Claydon	220/671
D376,978 S *	12/1996	Silvers et al.	D9/434
D393,209 S *	4/1998	Steih et al.	D9/753
D399,428 S *	10/1998	Ramsey	D9/538
D414,414 S *	9/1999	Larson et al.	D9/434
6,123,211 A *	9/2000	Rashid et al.	215/12.1
D434,662 S *	12/2000	Colonna	D9/516
D434,985 S *	12/2000	Colonna	D9/516
D457,067 S *	5/2002	Martynov et al.	D9/539
D466,024 S *	11/2002	Thierjung et al.	D9/556
D491,021 S *	6/2004	Webb	D7/531
D507,152 S *	7/2005	Trombly	D7/536
D521,803 S *	5/2006	Bieger	D7/396.4

(Continued)

Primary Examiner — Elizabeth J Oswecki

(74) *Attorney, Agent, or Firm* — Cox Smith Matthews Incorporated

(57) **CLAIM**

The ornamental design for a container, as shown and described.

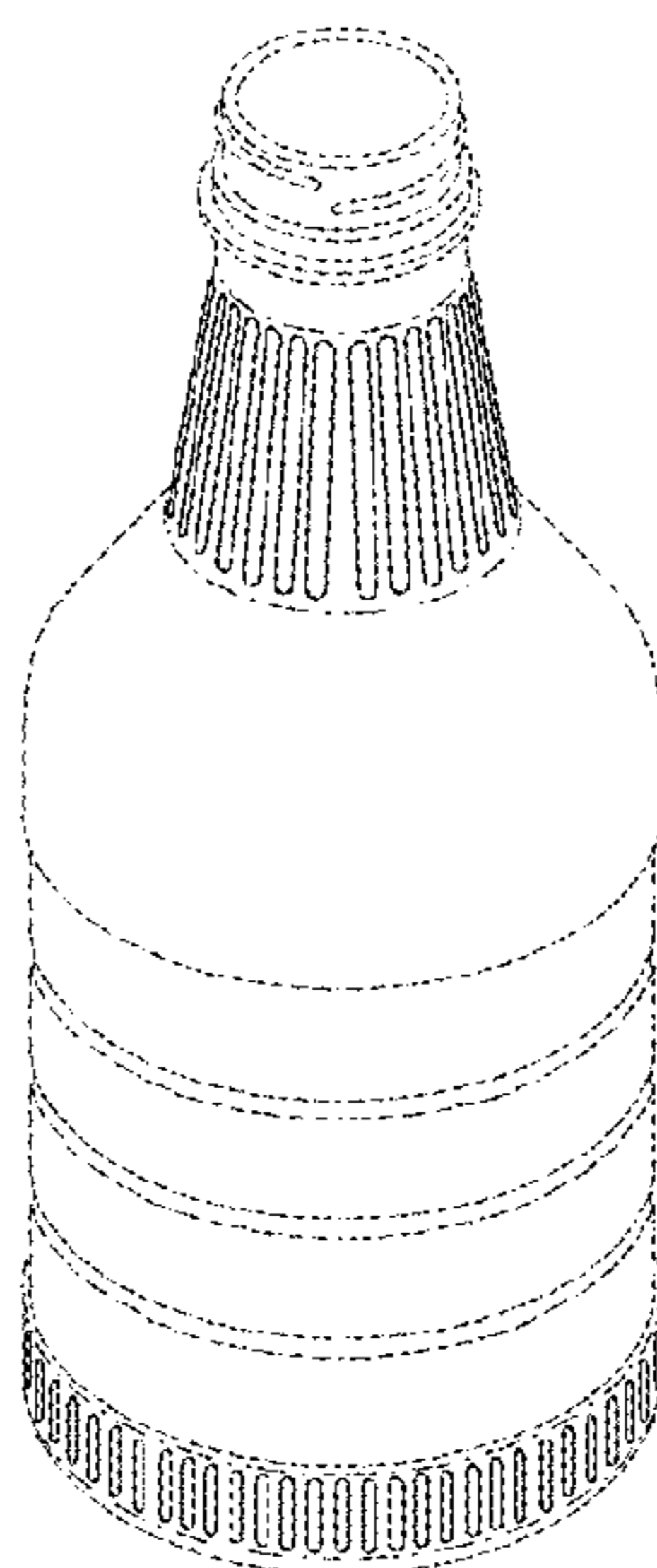
DESCRIPTION

FIG. 1 is an upper perspective view of a container showing our new design;
FIG. 2 is a lower perspective view thereof;
FIG. 3 is a top plan view thereof;
FIG. 4 is a front elevational view thereof;
FIG. 5 is a right side elevational view thereof;
FIG. 6 is a rear elevational view thereof;
FIG. 7 is a left side elevational view thereof; and,
FIG. 8 is a bottom plan view thereof.

In the drawings, the evenly dashed broken lines in FIGS. 1-8 depict portions of the design that form no part of the claim.

The dash-dot-dash broken lines define the bounds of the claim and form no part thereof.

1 Claim, 4 Drawing Sheets



US D645,354 S

Page 2

U.S. PATENT DOCUMENTS

D524,164 S *	7/2006	Goda	D9/556	D614,034 S *	4/2010	Braun et al.	D9/516
D550,019 S *	9/2007	Lincer	D7/316	D628,435 S *	12/2010	Furlong et al.	D7/396.4
D556,595 S *	12/2007	Rucinski	D9/558	2003/0106873 A1 *	6/2003	Grillo	215/41
D568,753 S *	5/2008	Wolf	D9/551	2007/0051687 A1 *	3/2007	Olson	215/44
D594,331 S *	6/2009	Herb et al.	D9/500	2007/0080128 A1 *	4/2007	Laveault et al.	215/44
D594,748 S *	6/2009	Herb et al.	D9/500	2010/0200531 A1 *	8/2010	Komiya et al.	215/40
D595,139 S *	6/2009	Darr et al.	D9/538	2010/0264107 A1 *	10/2010	Lonsway et al.	215/40
D607,730 S *	1/2010	Lepoitevin	D9/516				

* cited by examiner

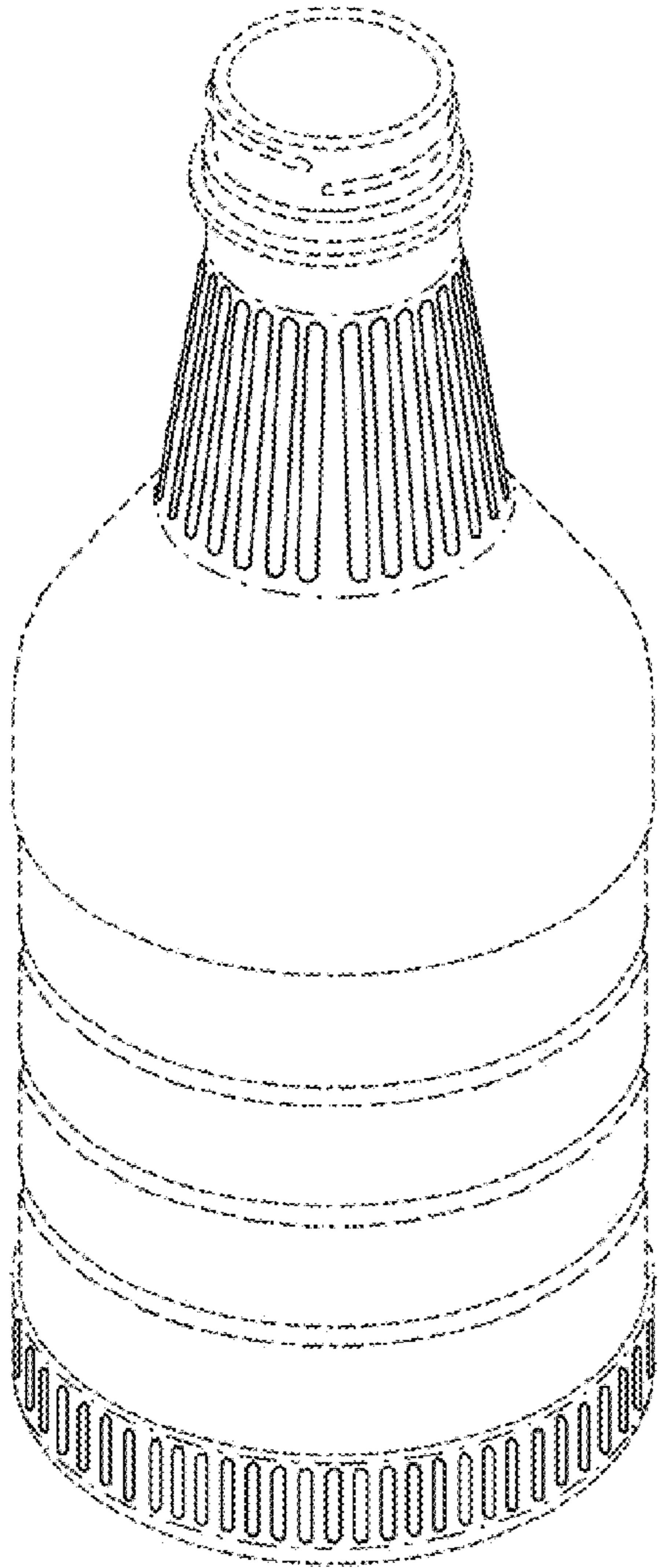


Fig. 1

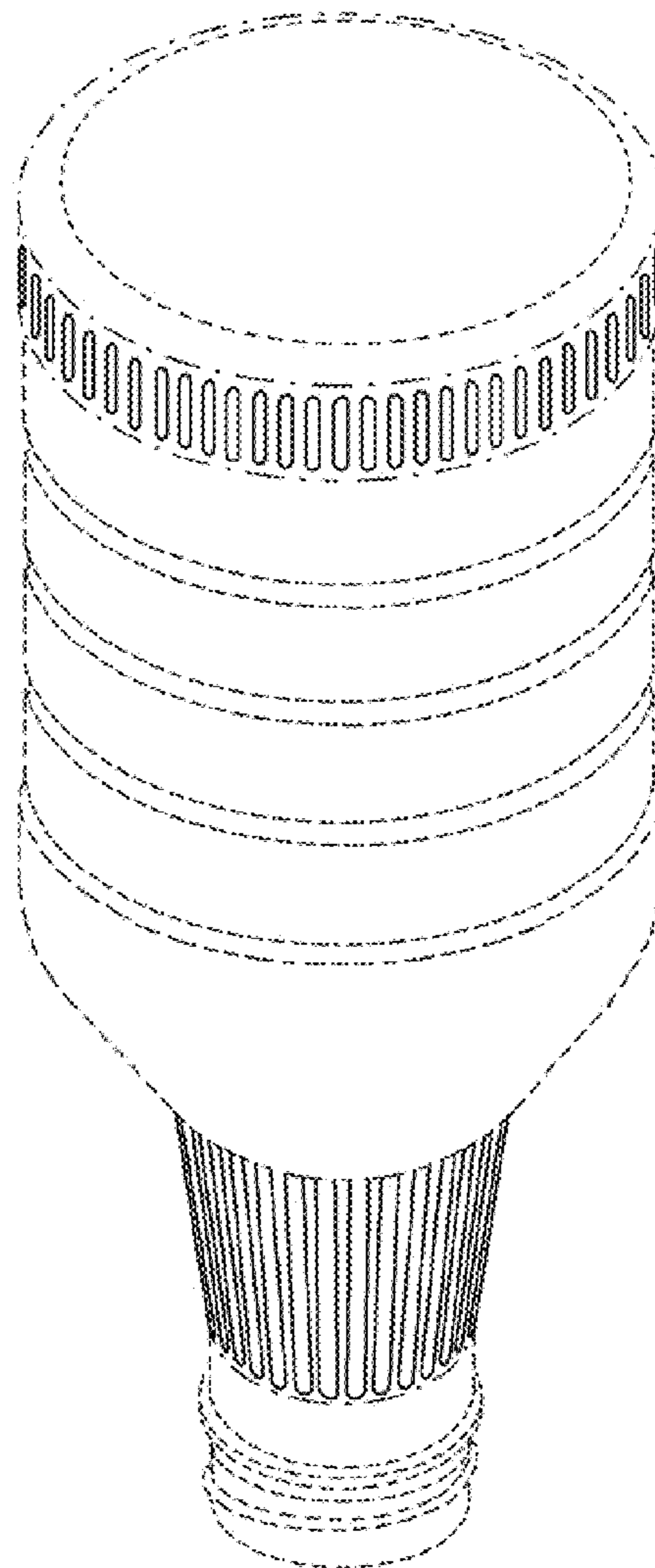


Fig. 2

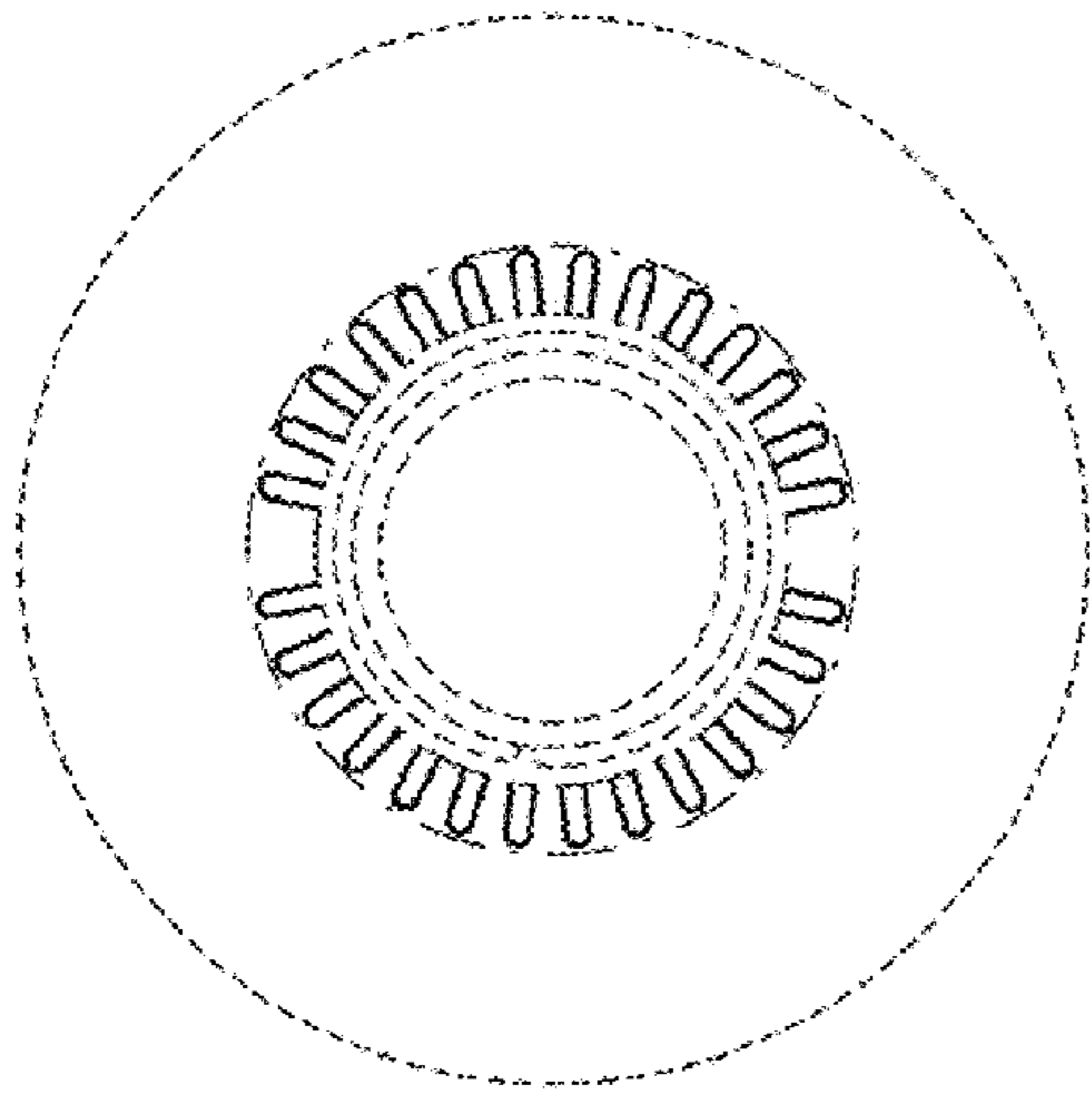


Fig. 3

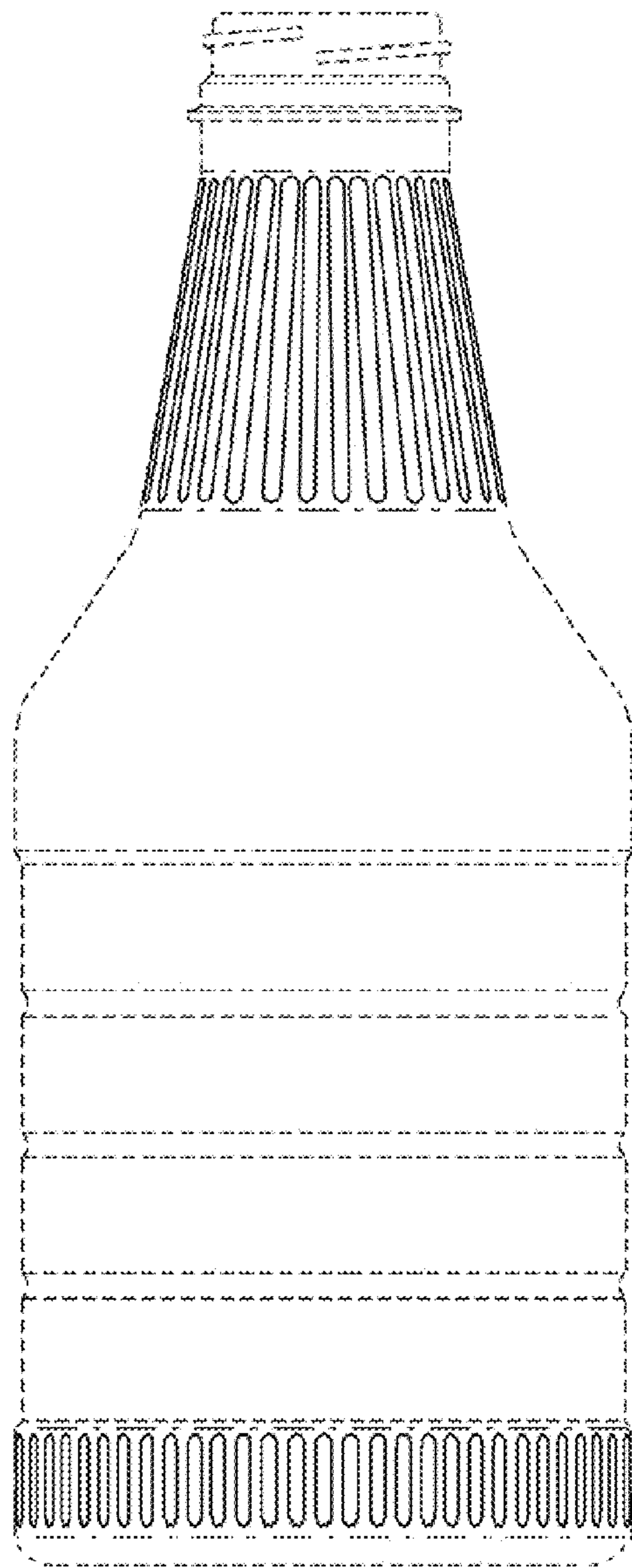


Fig. 4

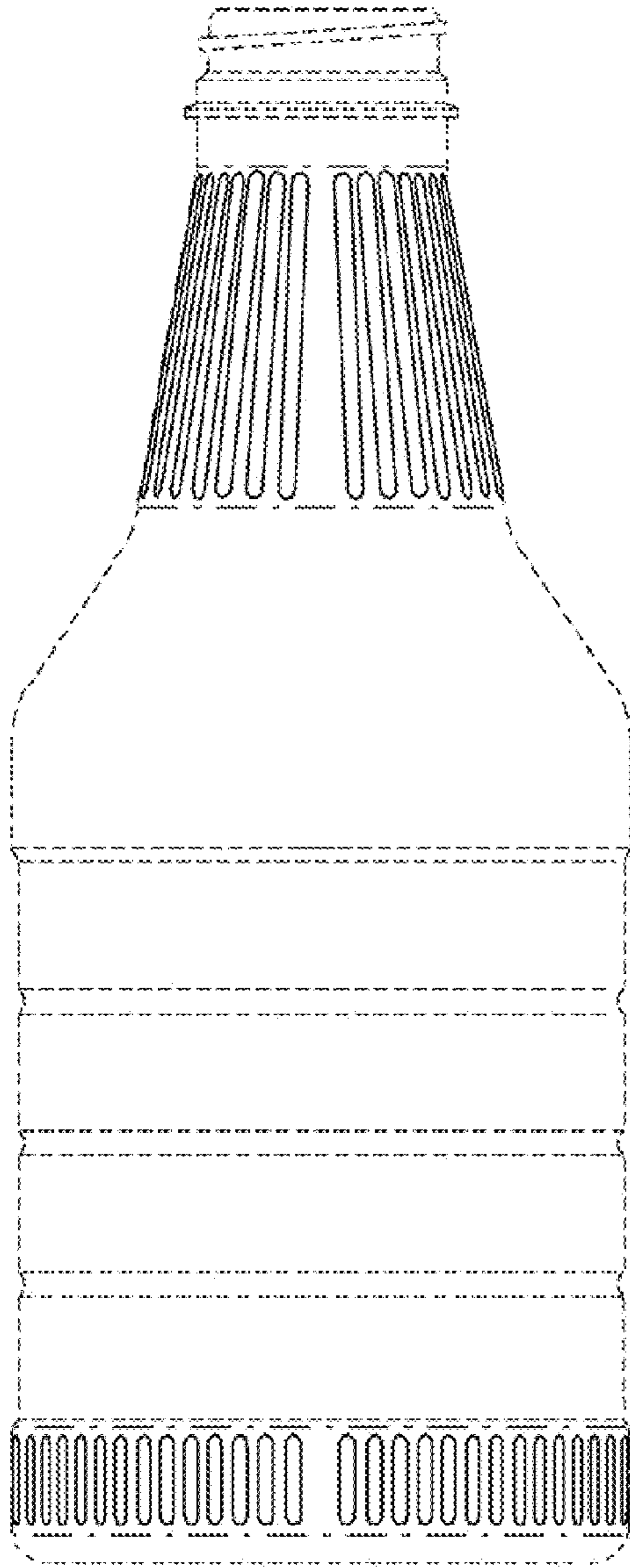


Fig. 5

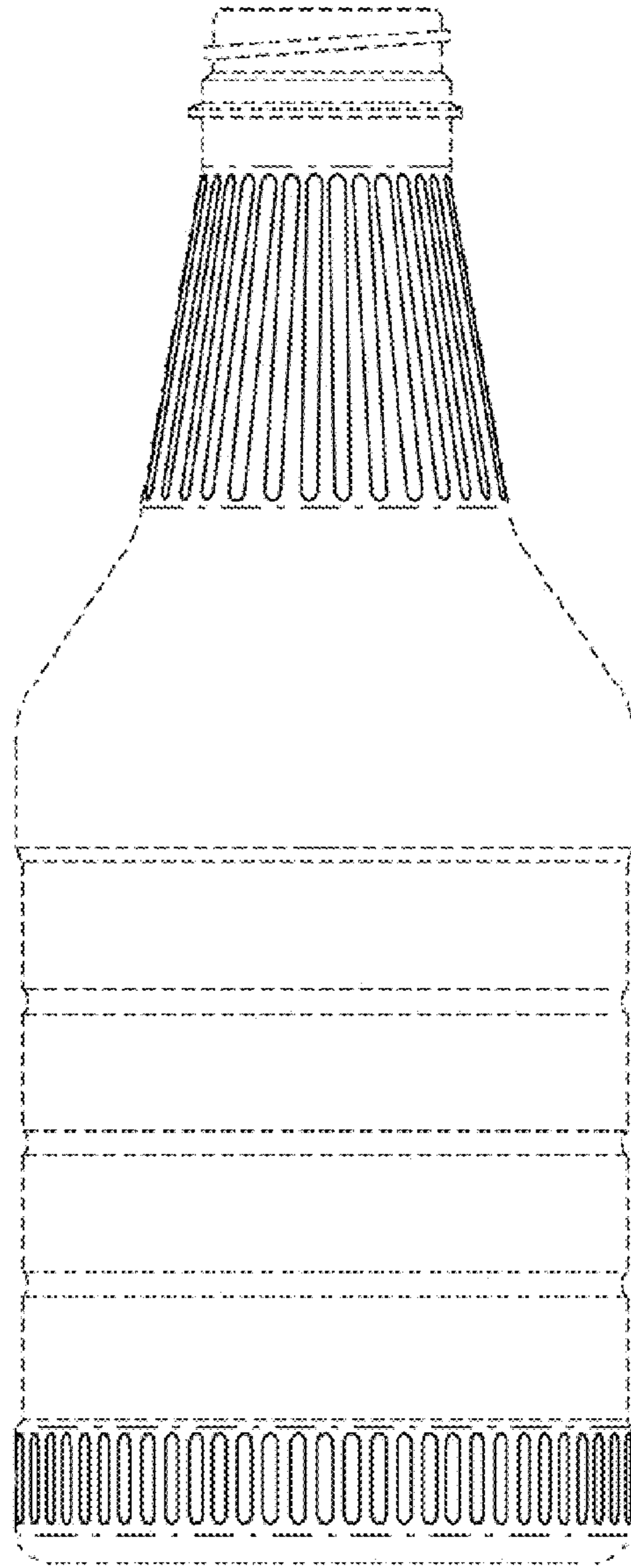


Fig. 6

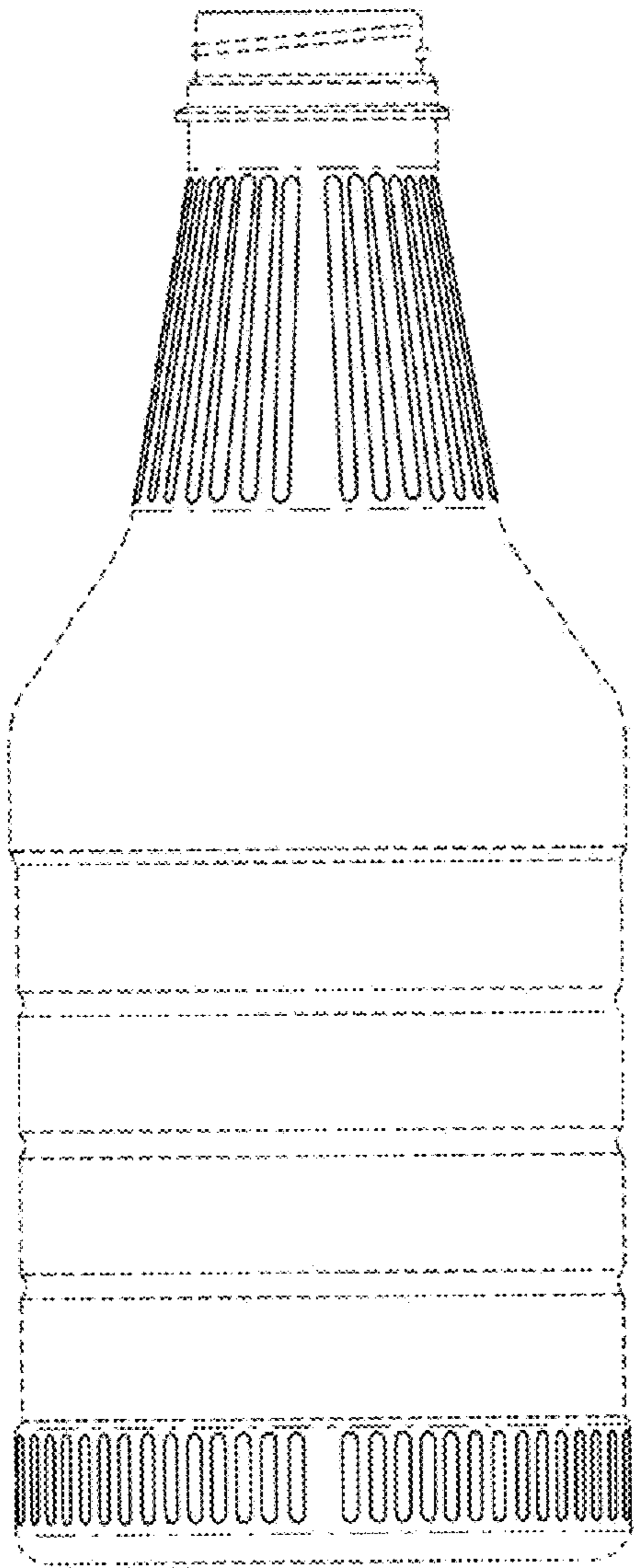


Fig. 7

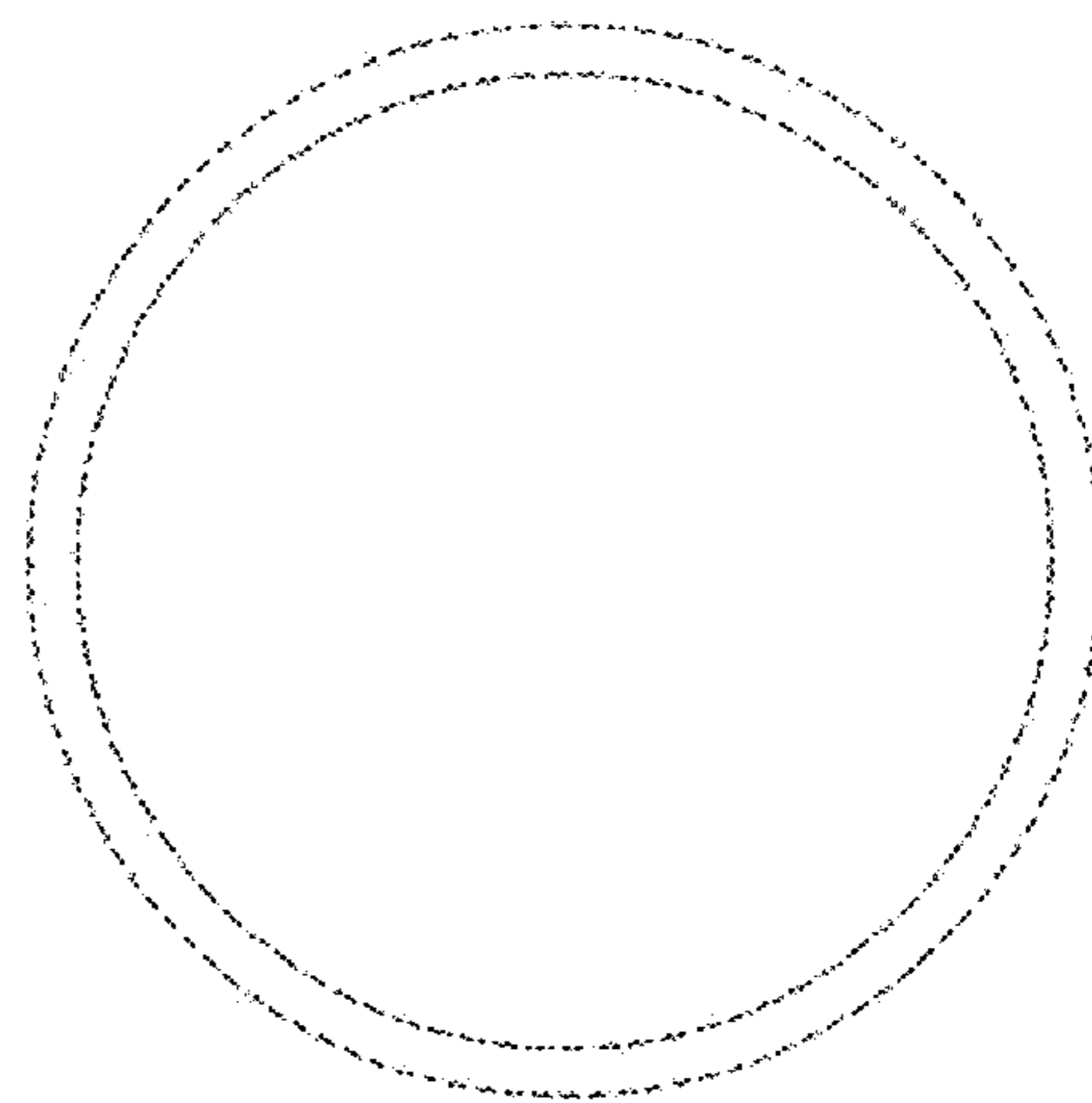


Fig. 8