



US00D645352S

(12) **United States Design Patent**  
**Boré**

(10) **Patent No.:** **US D645,352 S**  
(45) **Date of Patent:** **\*\* Sep. 20, 2011**

(54) **COSMETIC JAR**

(75) Inventor: **Olivier Boré**, Parmian (FR)

(73) Assignee: **Henkel AG & Co. KGaA**, Duesseldorf (DE)

(\*\*) Term: **14 Years**

(21) Appl. No.: **29/384,178**

(22) Filed: **Jan. 27, 2011**

(51) **LOC (9) Cl.** ..... **09-01**

(52) **U.S. Cl.** ..... **D9/504; D9/551; D9/443; D9/454**

(58) **Field of Classification Search** ..... D9/500,  
D9/502-505, 516, 529, 549, 551, 558, 574-575,  
D9/443, 454; D28/4, 8, 76, 78, 82; 215/379,  
215/382-384, 370-371; 220/660, 662, 669,  
220/675

See application file for complete search history.

(56) **References Cited**

**U.S. PATENT DOCUMENTS**

|              |         |        |       |        |
|--------------|---------|--------|-------|--------|
| D26,314 S *  | 11/1896 | Miller | ..... | D9/504 |
| D26,315 S *  | 11/1896 | Miller | ..... | D9/504 |
| D154,563 S * | 7/1949  | Peters | ..... | D9/551 |
| D177,570 S * | 5/1956  | James  | ..... | D7/612 |

|              |         |                  |       |        |
|--------------|---------|------------------|-------|--------|
| D189,406 S * | 12/1960 | Harlow           | ..... | D9/443 |
| D306,826 S * | 3/1990  | Bormioli         | ..... | D9/504 |
| D333,762 S * | 3/1993  | Herren           | ..... | D7/678 |
| D367,423 S * | 2/1996  | Stanley          | ..... | D9/503 |
| D398,533 S * | 9/1998  | Kotyuk et al.    | ..... | D9/539 |
| D411,750 S * | 6/1999  | Forecast et al.  | ..... | D9/539 |
| D424,943 S * | 5/2000  | Kokenge et al.   | ..... | D9/504 |
| D512,912 S * | 12/2005 | Biesecker et al. | ..... | D9/443 |
| D540,189 S * | 4/2007  | Larocca          | ..... | D9/738 |
| D540,190 S * | 4/2007  | Larocca          | ..... | D9/738 |
| D543,458 S * | 5/2007  | Dittmer et al.   | ..... | D9/504 |
| D567,090 S * | 4/2008  | Swint et al.     | ..... | D9/504 |

\* cited by examiner

*Primary Examiner* — Ian Simmons

*Assistant Examiner* — Dana L Sipos

(74) *Attorney, Agent, or Firm* — David P. LeCroy

(57) **CLAIM**

The ornamental design for a cosmetic jar, as shown and described.

**DESCRIPTION**

FIG. 1 is a front perspective view of the cosmetic jar showing our new design;

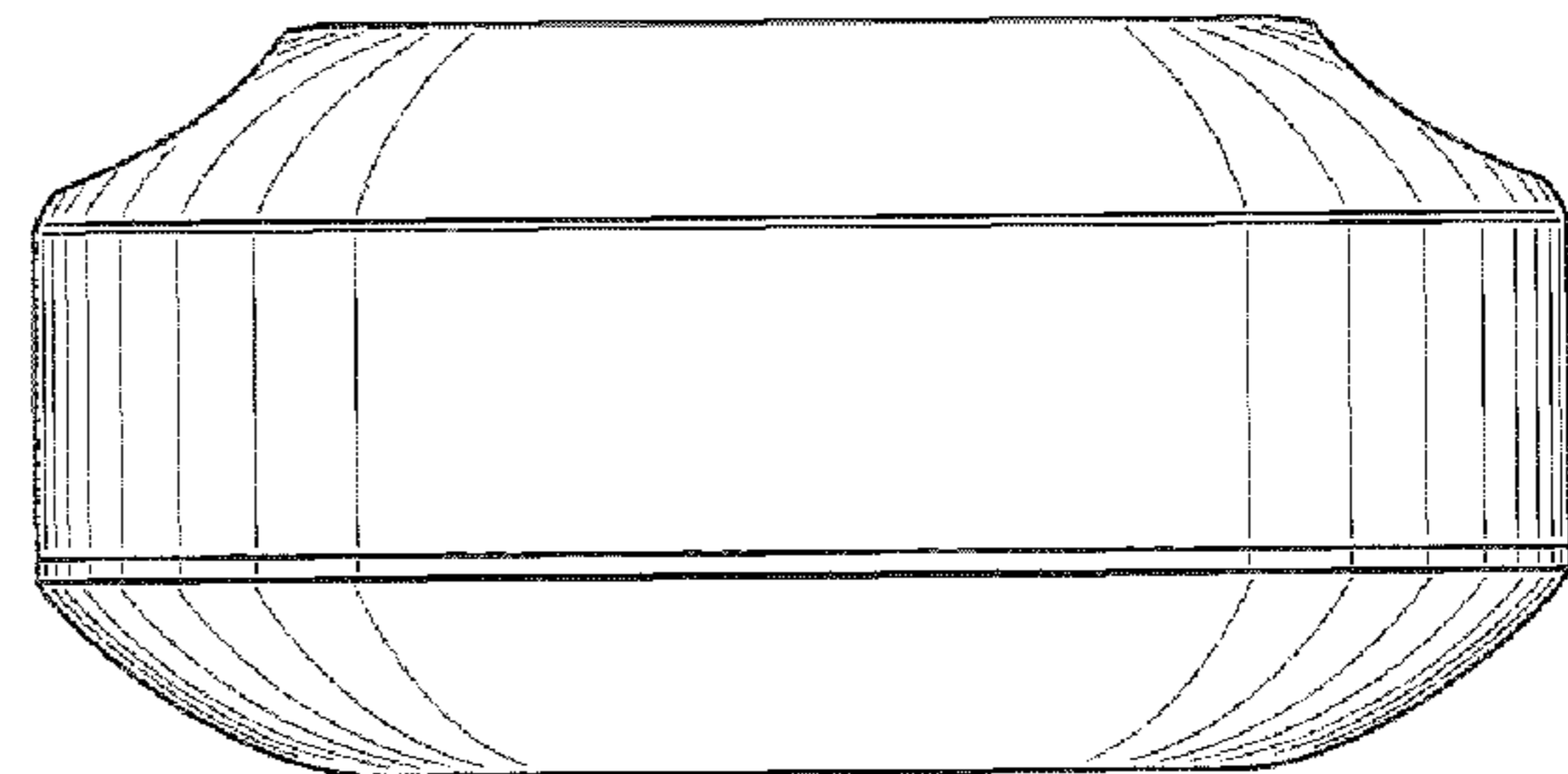
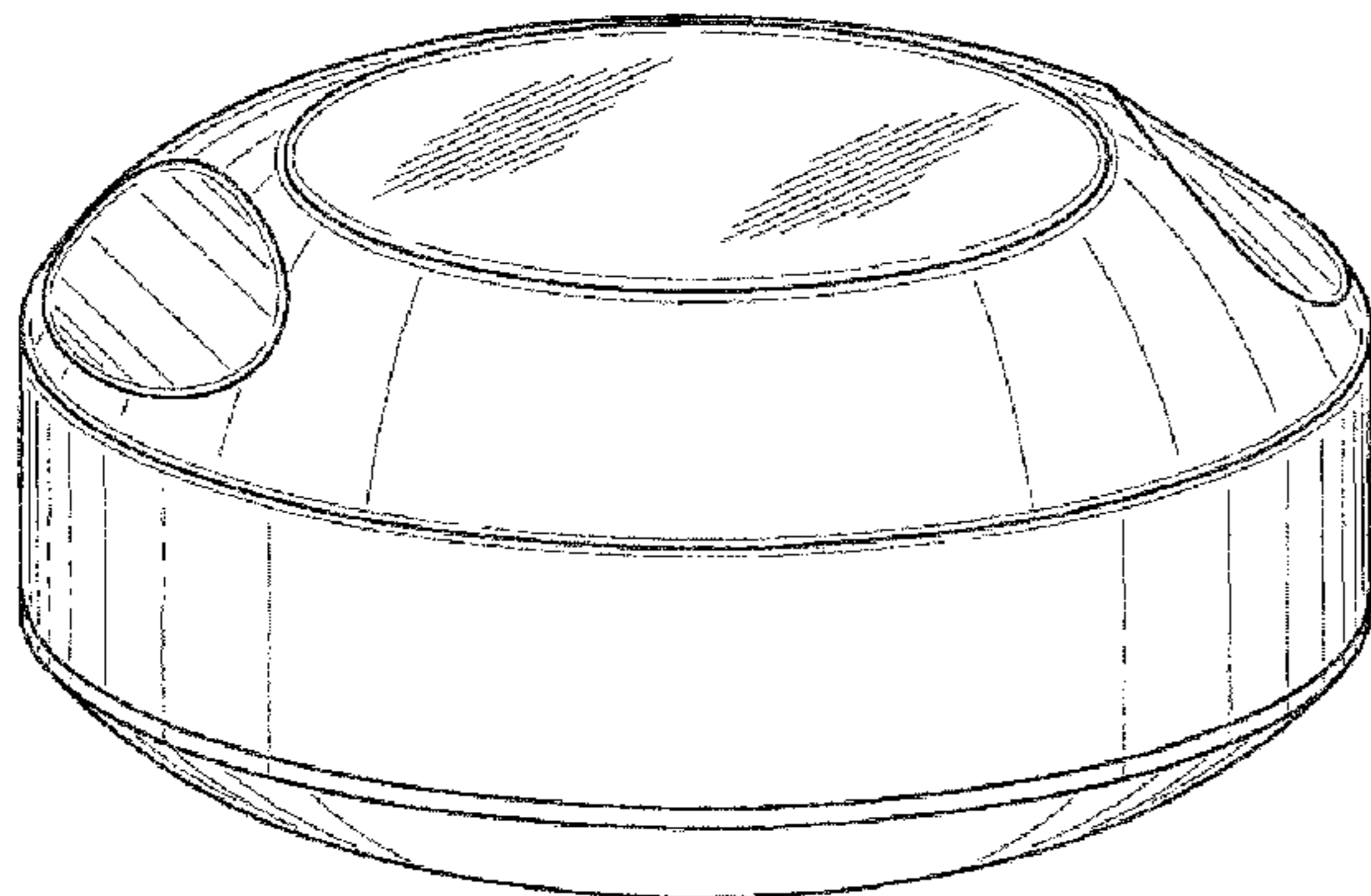
FIG. 2 is a side elevational view of the jar;

FIG. 3 is a front elevational view of the jar;

FIG. 4 is a top plan view of the jar; and,

FIG. 5 is a bottom plan view of the jar.

**1 Claim, 5 Drawing Sheets**



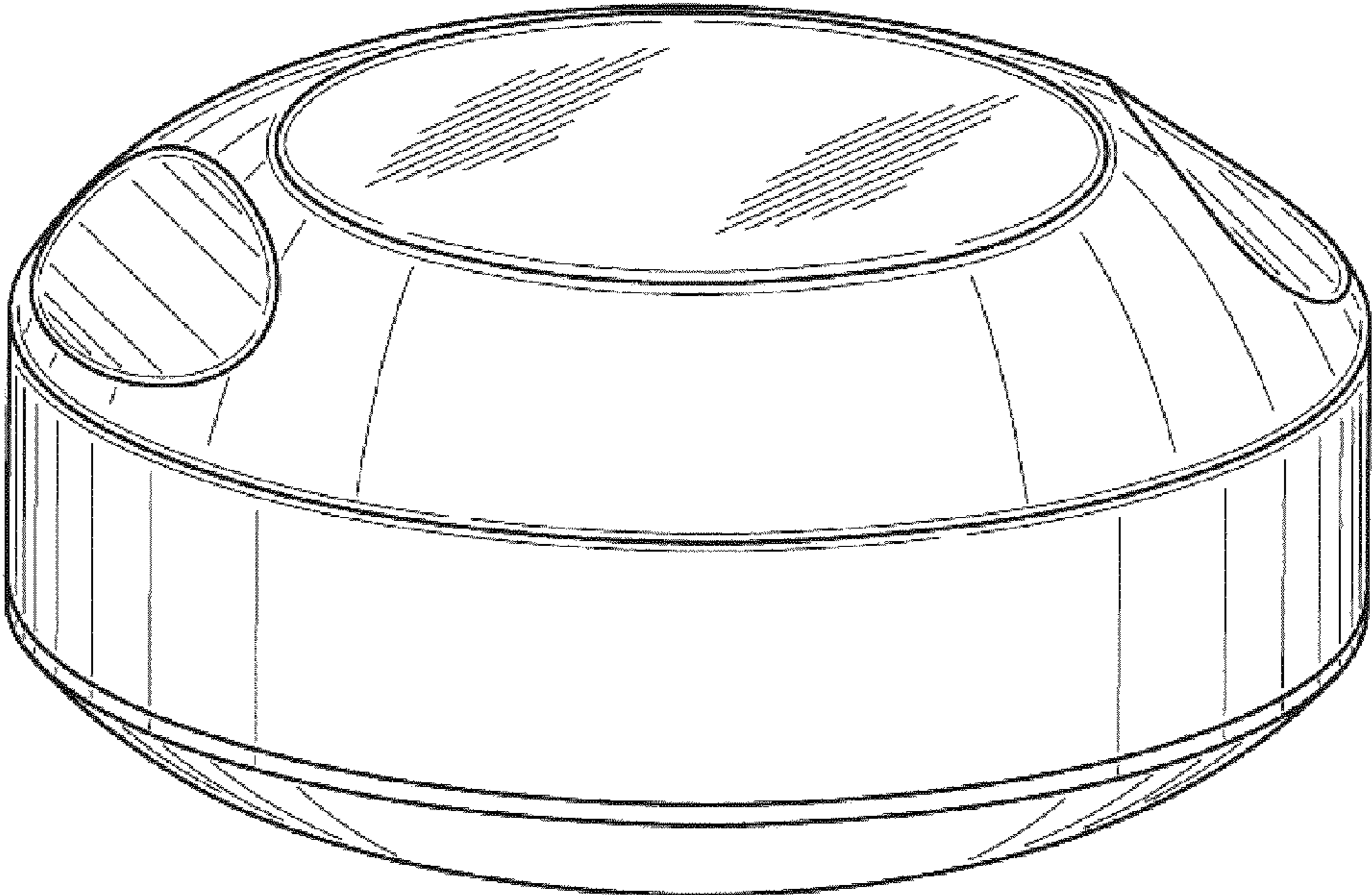


Figure 1

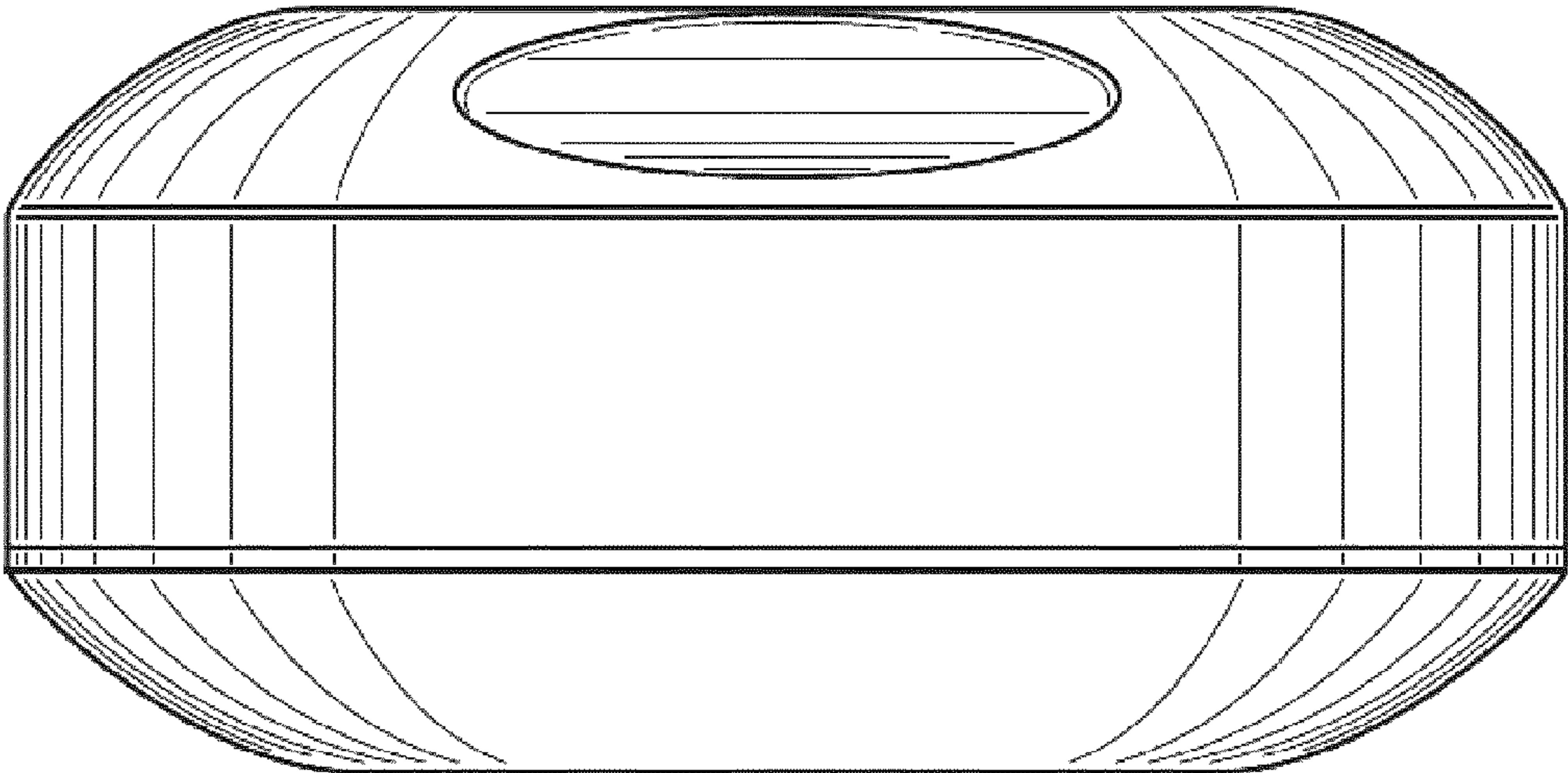


Figure 2

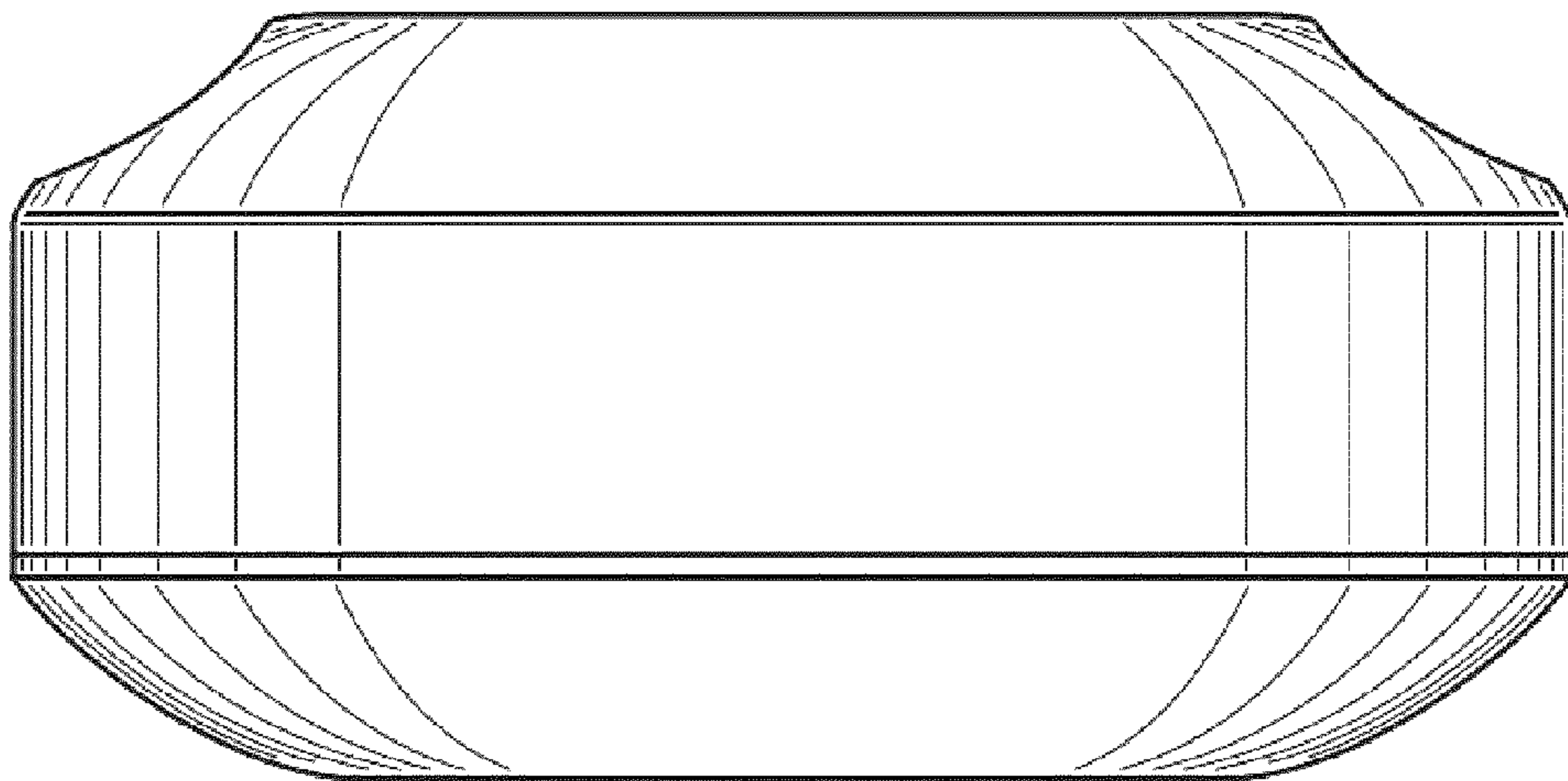


Figure 3



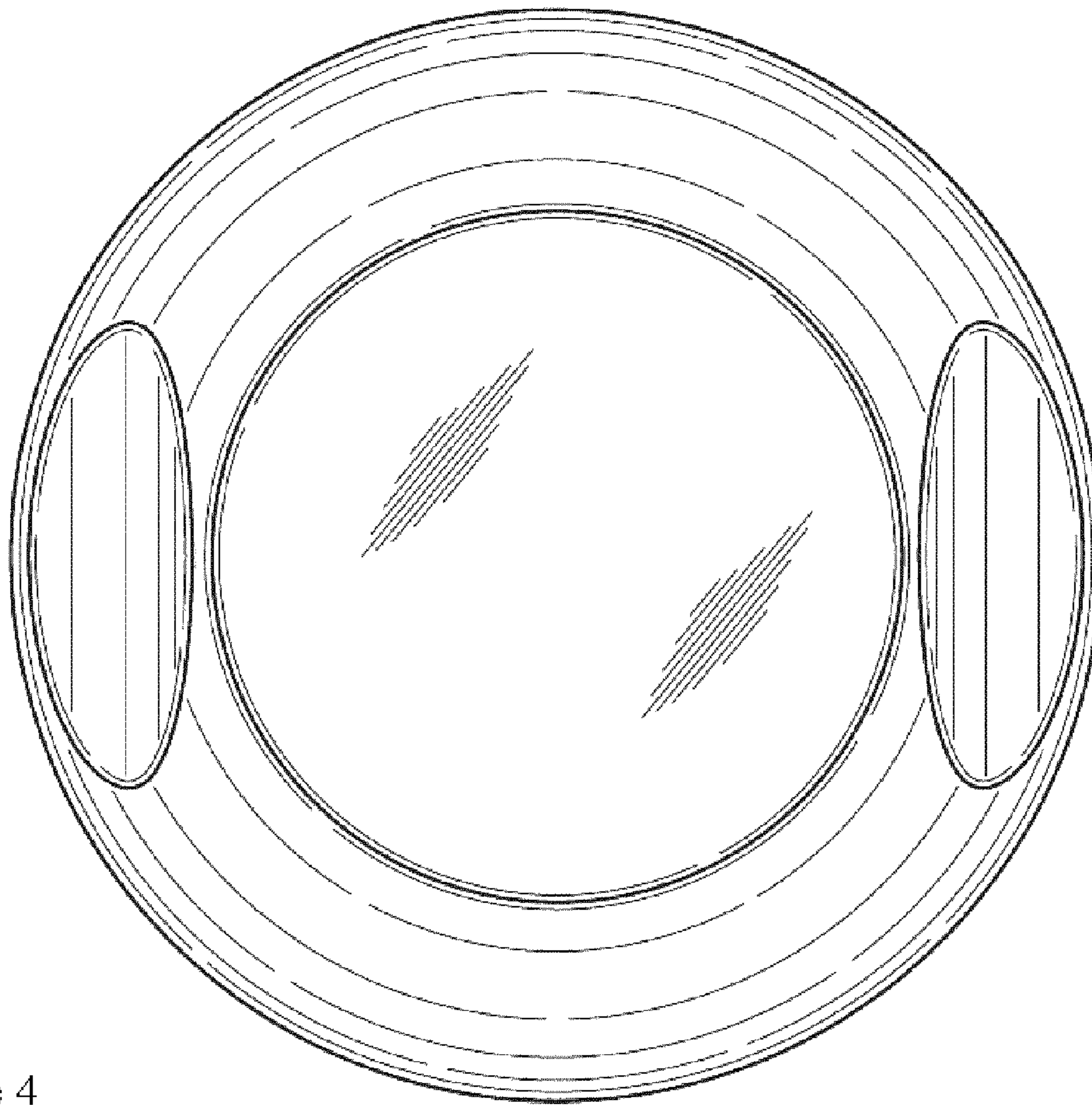


Figure 4

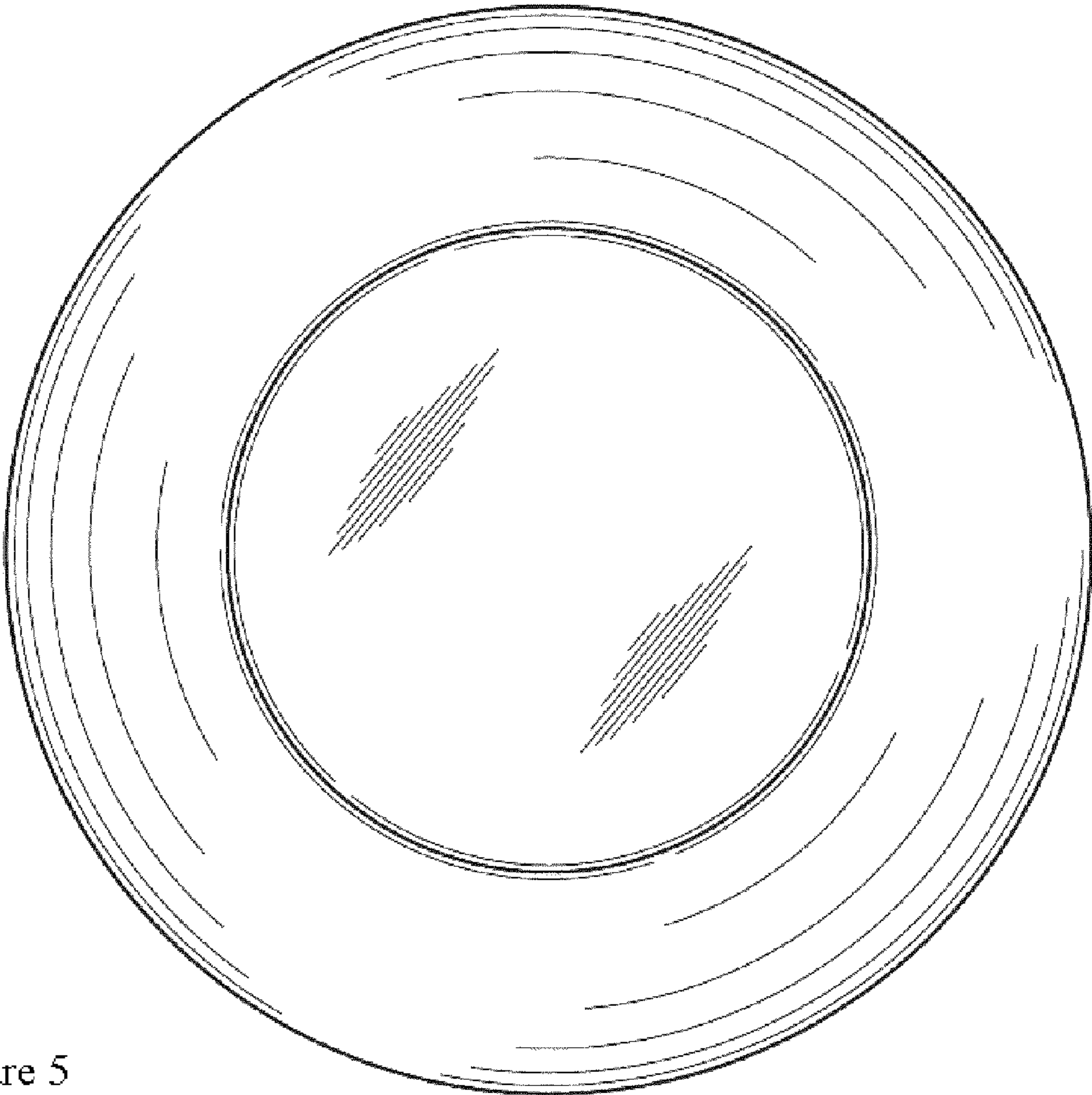


Figure 5