



US00D645349S

(12) **United States Design Patent**
Tilton

(10) **Patent No.:** **US D645,349 S**

(45) **Date of Patent:** **** *Sep. 20, 2011**

(54) **CONTAINER**

(75) **Inventor:** **Andrew T. Tilton**, Chicago, IL (US)

(73) **Assignee:** **Kraft Foods Global Brands LLC**,
Northfield, IL (US)

(**) **Term:** **14 Years**

(21) **Appl. No.:** **29/261,092**

(22) **Filed:** **Jun. 7, 2006**

(51) **LOC (9) Cl.** **09-01**

(52) **U.S. Cl.** **D9/453**

(58) **Field of Classification Search** D9/435,
D9/529, 530, 558, 537-539, 541, 542, 549,
D9/550, 556, 559, 563, 522, 523, 503, 504,
D9/516, 574, 434, 438, 452, 453; D3/202;
215/382-384, 396; 220/669, 675

See application file for complete search history.

(56) **References Cited**

U.S. PATENT DOCUMENTS

2,394,135 A	2/1946	Baar	
2,776,066 A	1/1957	Thornton	
3,435,978 A	4/1969	Wittwer	
3,586,197 A	6/1971	Vivas	
3,610,454 A	10/1971	Malick	
3,741,421 A	6/1973	Wittwer	
D230,571 S *	3/1974	Allen	D9/779
D246,029 S *	10/1977	Lynn et al.	D9/780
4,053,077 A	10/1977	DeFelice	
4,084,717 A	4/1978	King	
4,139,112 A	2/1979	Cooke	
D266,647 S	10/1982	Plewes et al.	
D266,906 S	11/1982	Guerette	
D268,650 S	4/1983	Kirstine	
D270,331 S	8/1983	Benson	
D273,461 S	4/1984	Sevenoaks	

4,461,394 A	7/1984	Sendel et al.
D277,550 S	2/1985	Campbell et al.
4,564,115 A	1/1986	Imbert
D284,167 S	6/1986	Goettner
D284,269 S	6/1986	Goettner
D291,868 S	9/1987	Hindle
4,770,308 A	9/1988	Lynn
D301,117 S	5/1989	Baxter
D309,863 S	8/1990	Baxter
4,948,001 A	8/1990	Magly
5,020,682 A	6/1991	Dutt
5,135,124 A	8/1992	Wobser
5,169,033 A	12/1992	Shay
D332,919 S	2/1993	Turnbull et al.

(Continued)

FOREIGN PATENT DOCUMENTS

DE 24 18 899 A1 10/1975

(Continued)

OTHER PUBLICATIONS

European Patent Office Extended European Search Report for Euro-
pean Application No. 07114797.9 dated Oct. 8, 2007, 8 pages.

Primary Examiner — Stella Reid

Assistant Examiner — Keli L. Hill

(74) *Attorney, Agent, or Firm* — Fitch, Even, Tabin &
Flannery

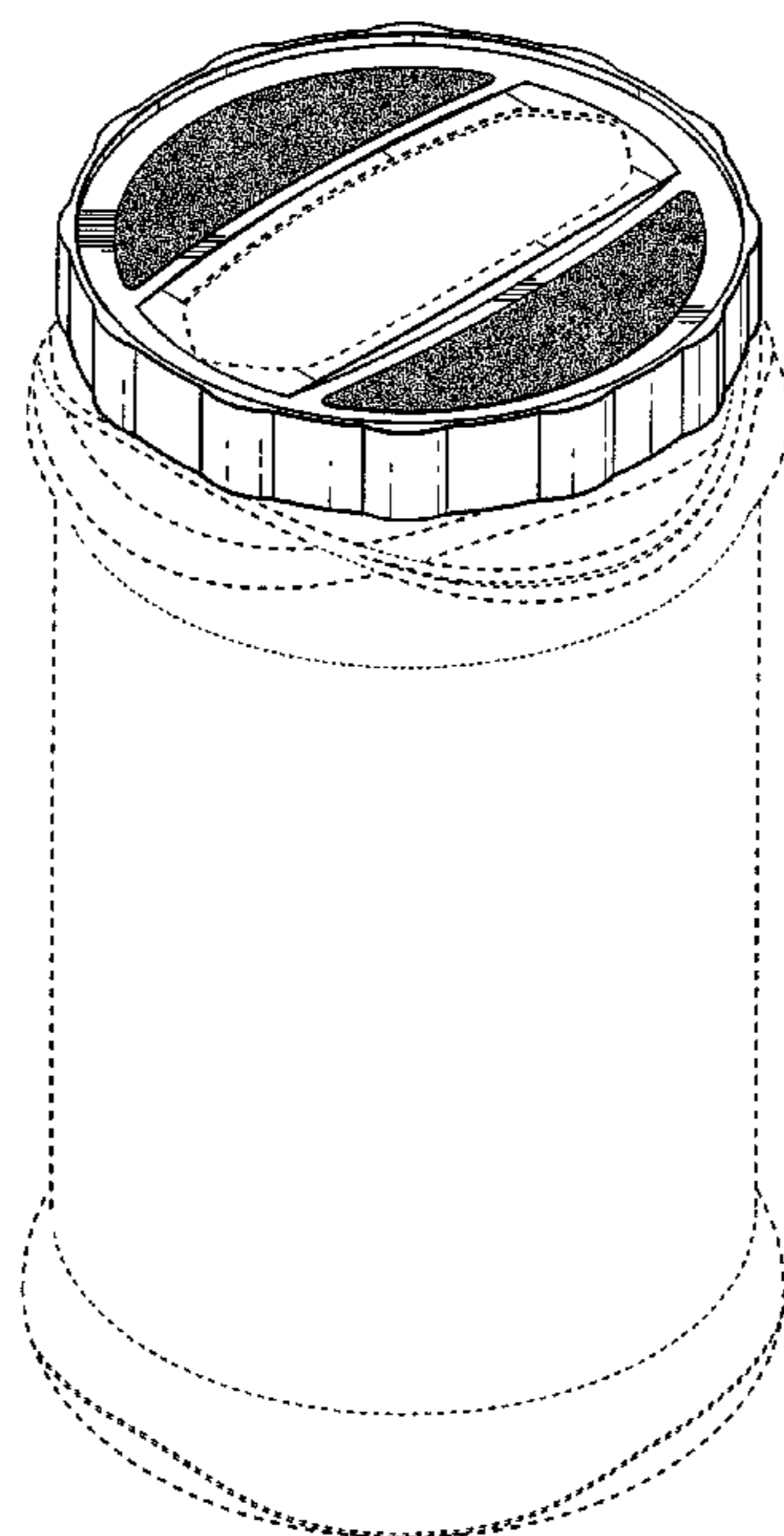
(57) **CLAIM**

The ornamental design for a container, as shown and
described.

DESCRIPTION

FIG. 1 is a perspective view of a container showing the design.
Portions of the design shown in broken lines are for illustra-
tive purposes only and form no part of the claimed design.

1 Claim, 1 Drawing Sheet



US D645,349 S

Page 2

U.S. PATENT DOCUMENTS

5,197,616 A 3/1993 Buono
5,213,225 A 5/1993 King et al.
5,261,548 A 11/1993 Barker et al.
D345,503 S 3/1994 Murphy
5,431,291 A 7/1995 LaBombarbe, Jr.
5,443,172 A 8/1995 Gabriele
D363,642 S * 10/1995 Goto et al. D7/523
5,454,476 A 10/1995 King et al.
5,462,186 A 10/1995 Ladina et al.
D364,093 S 11/1995 Weaver, Jr.
D368,035 S * 3/1996 Ahern, Jr. D9/556
D368,658 S 4/1996 Hirsch
5,533,633 A 7/1996 King
5,676,270 A 10/1997 Roberts
5,803,287 A 9/1998 Kusz
D406,213 S * 3/1999 Rausch D9/455
5,884,790 A 3/1999 Seidita
D408,689 S * 4/1999 Kato D7/608
D415,962 S 11/1999 Garcia
6,006,930 A 12/1999 Dreyer et al.
D447,693 S * 9/2001 Warner et al. D9/574
D461,407 S 8/2002 Barnes et al.
D482,967 S 12/2003 Bourque et al.
D487,700 S 3/2004 Bourque et al.
6,736,280 B1 5/2004 Zapata

6,783,014 B2 8/2004 Luker
6,848,590 B2 2/2005 Brozell et al.
D521,871 S * 5/2006 Forte D9/558
7,055,708 B1 6/2006 Haffner et al.
D542,143 S * 5/2007 Phillips et al. D9/557
D542,655 S * 5/2007 Szczesniak D9/453
D543,456 S * 5/2007 Muhlemann D9/453
D543,857 S * 6/2007 Shu D9/529
D550,084 S * 9/2007 King D9/504
D562,144 S * 2/2008 Lane D9/556
D568,450 S * 5/2008 King et al. D23/261
D579,774 S * 11/2008 Clark D9/453
D607,340 S * 1/2010 Klis D9/559
2002/0185464 A1 12/2002 Luker
2003/0155322 A1 8/2003 Auer et al.
2004/0011759 A1 1/2004 Hahn et al.
2005/0006334 A1 1/2005 Luker
2005/0145593 A1 7/2005 Simone et al.
2006/0186075 A1 8/2006 Rainey et al.
2007/0034595 A1 2/2007 Foster et al.
2008/0110850 A1 5/2008 Tilton

FOREIGN PATENT DOCUMENTS

DE G 93 17 231.1 U1 3/1994
JP 2004-131176 A 4/2004

* cited by examiner

