



US00D645343S

(12) **United States Design Patent**  
**Allers et al.**

(10) **Patent No.:** **US D645,343 S**

(45) **Date of Patent:** **\*\* Sep. 20, 2011**

(54) **FOOD CONTAINER**

D200,555 S \* 3/1965 Iwanski ..... D9/425  
D207,131 S \* 3/1967 Peace ..... D9/425  
D575,095 S \* 8/2008 Schreiber-Pethan et al. .. D7/354

(75) Inventors: **Brian S. Allers**, Poughkeepsie, NY  
(US); **James J. Reilly**, Queensbury, NY  
(US); **Edward W. Rider, Jr.**, Slate Hill,  
NY (US)

\* cited by examiner

*Primary Examiner* — Susan Hattan Hattan

(74) *Attorney, Agent, or Firm* — Stoel Rives LLP

(73) Assignee: **Genpak LLC**, Glens Falls, NY (US)

(\*\*) Term: **14 Years**

(57) **CLAIM**

The ornamental design for a food container, as shown and described.

(21) Appl. No.: **29/384,515**

**DESCRIPTION**

(22) Filed: **Jan. 31, 2011**

(51) **LOC (9) Cl.** ..... **09-07**

(52) **U.S. Cl.** ..... **D9/434; D9/424**

(58) **Field of Classification Search** ..... D9/734,  
D9/707, 629, 456, 435, 434, 433, 432, 427,  
D9/425, 424, 423, 420, 418, 414, 430; D7/354;  
D6/518, 515; D3/294, 302; D27/189; 383/42;  
220/4.23, 409, 784, 778, 776, 494, 482, 268,  
220/265

FIG. 1 is a perspective view of an embodiment of a food container showing our new design;  
FIG. 2 is another perspective view thereof;  
FIG. 3 is a top plan view thereof;  
FIG. 4 is a rear elevation view thereof;  
FIG. 5 is a front elevation view thereof;  
FIG. 6 is a left side elevation view thereof; and,  
FIG. 7 is a right side elevation view thereof.

See application file for complete search history.

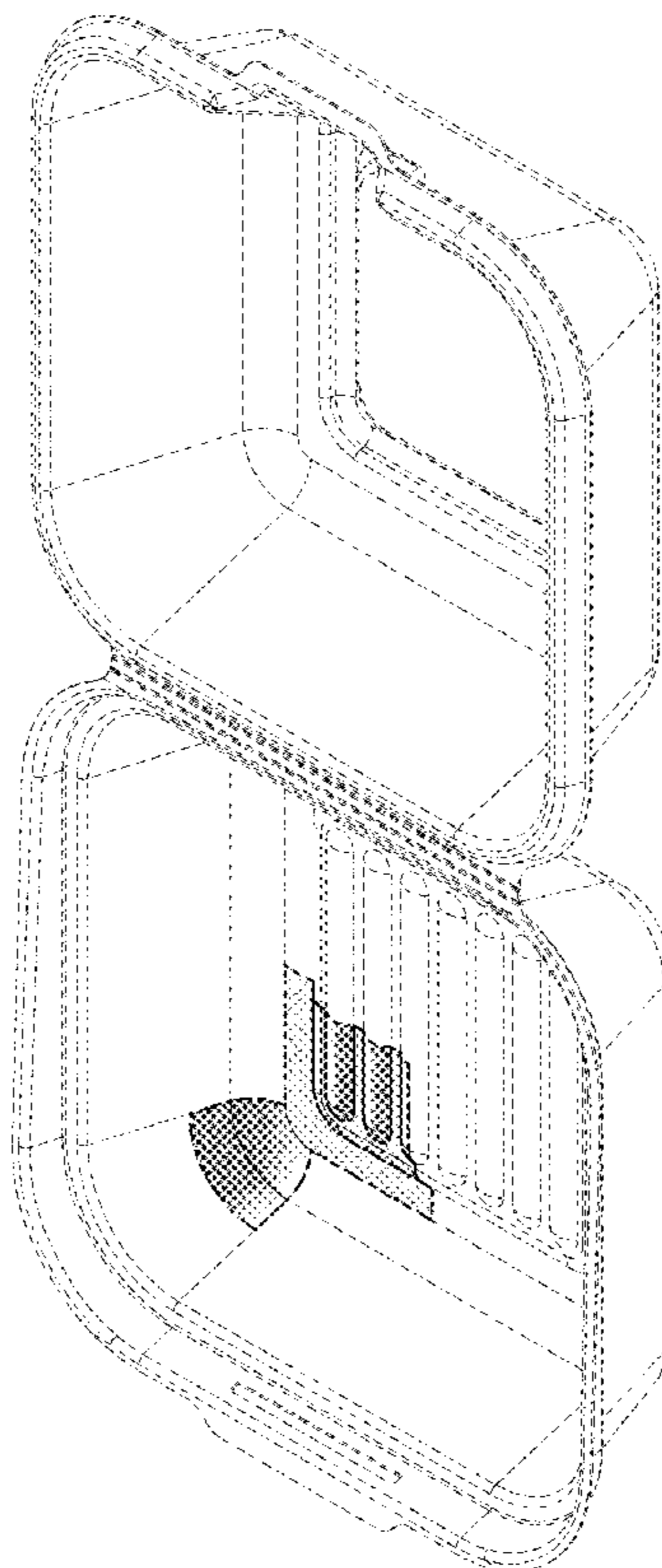
The broken lines immediately adjacent the shaded areas represent the bounds of the claimed design, while all other broken lines are directed to environment and are for illustrative purposes only; the broken lines form no part of the claimed design.

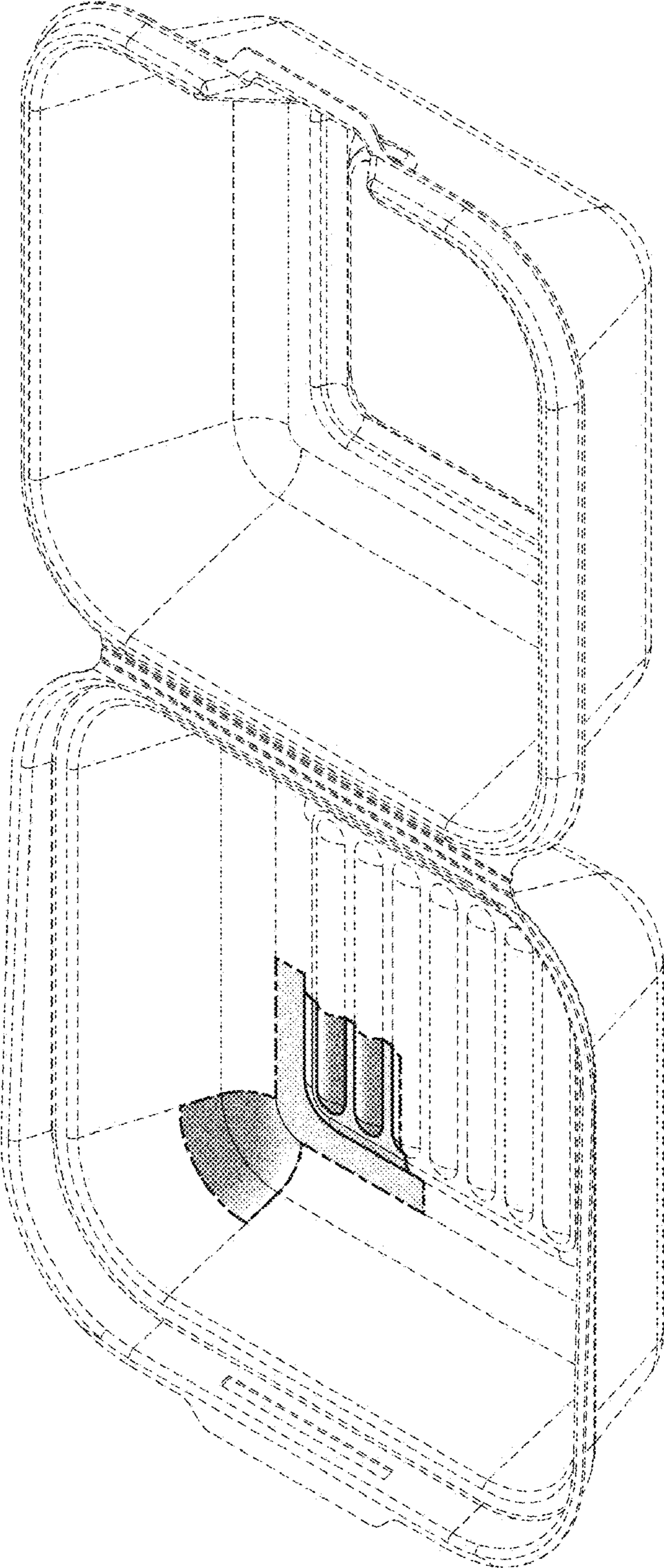
(56) **References Cited**

U.S. PATENT DOCUMENTS

D184,057 S \* 12/1958 Kearn ..... D9/425  
D194,814 S \* 3/1963 Engles ..... D9/425

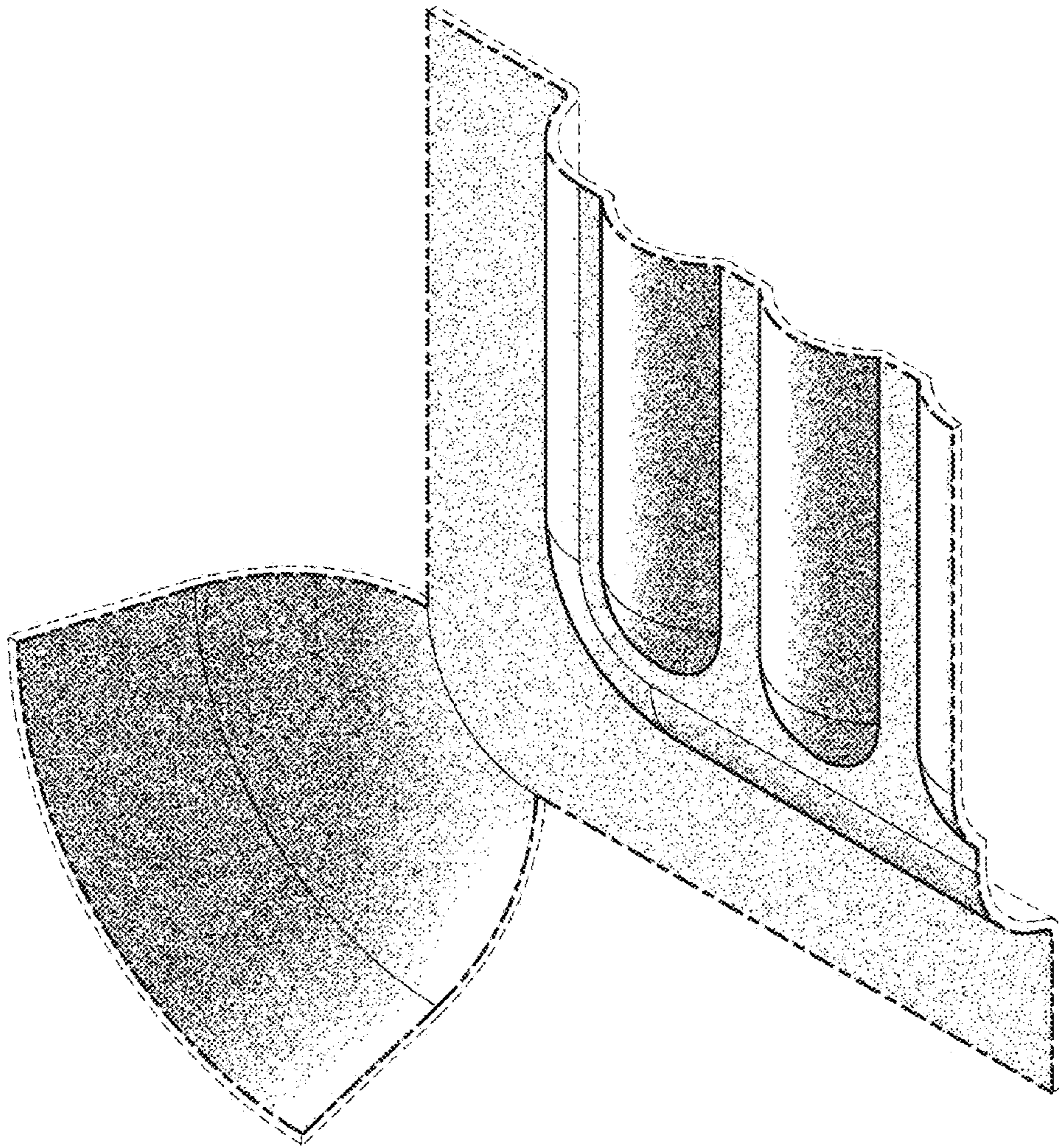
**1 Claim, 5 Drawing Sheets**





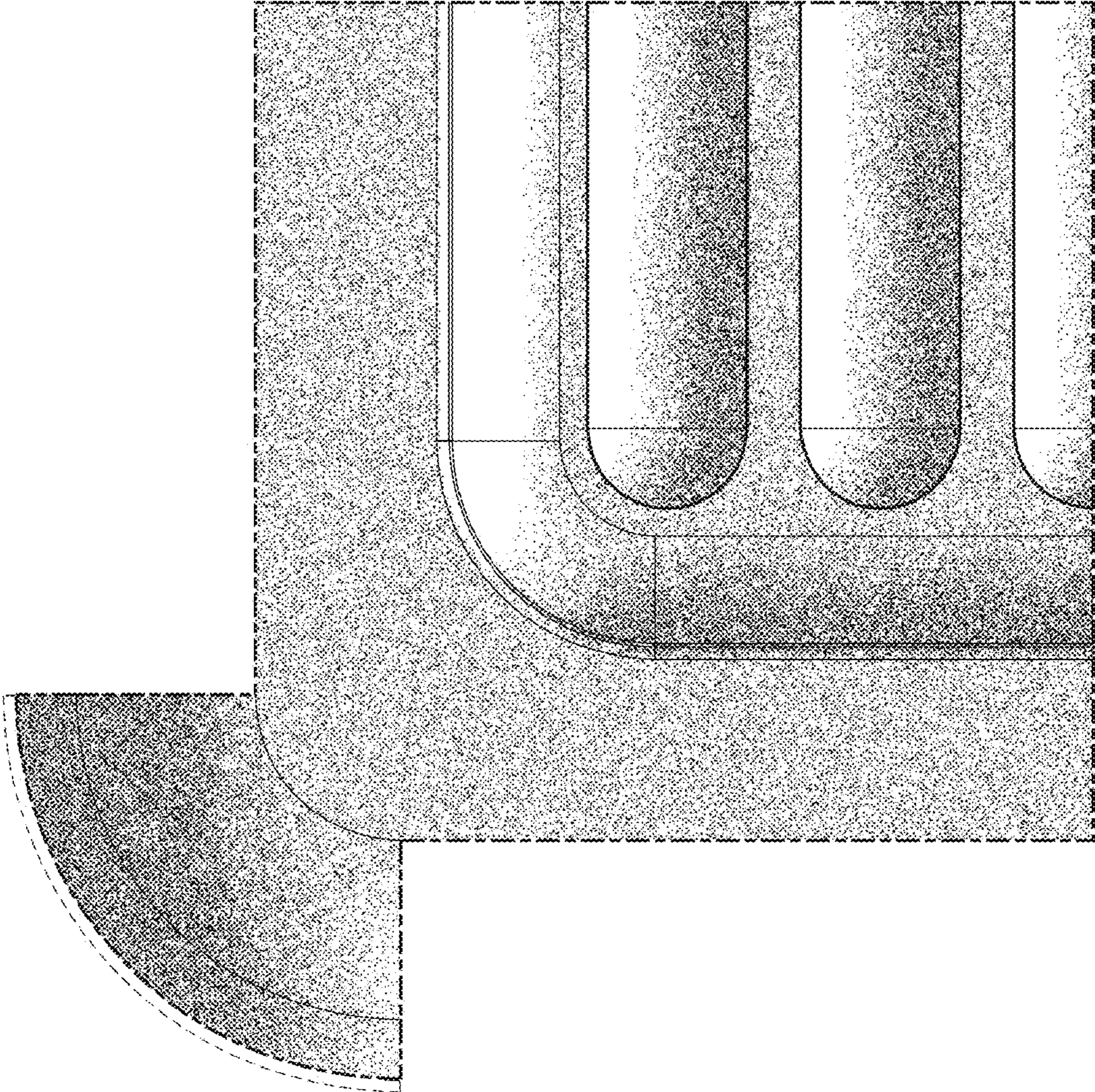
**FIG. 1**





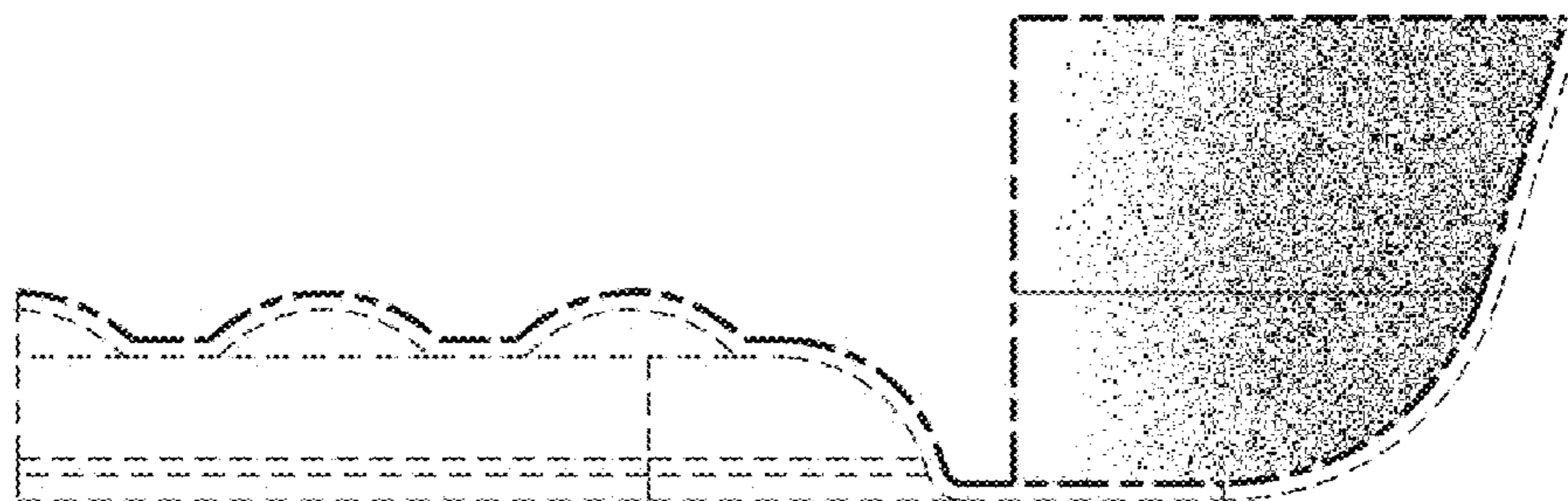
**FIG. 2**



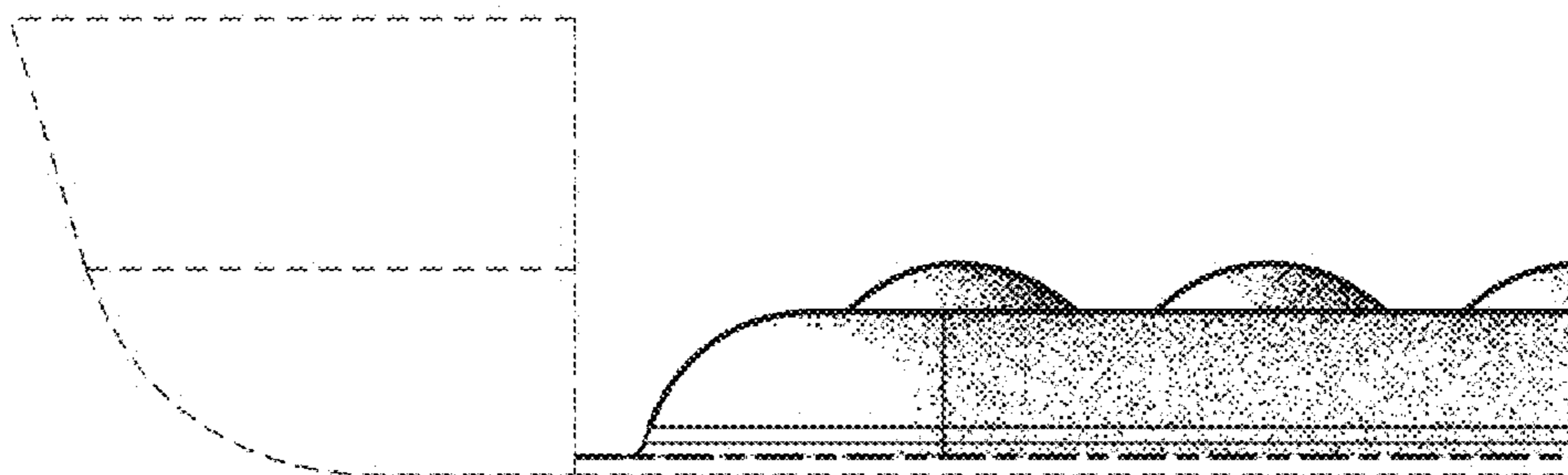


**FIG. 3**

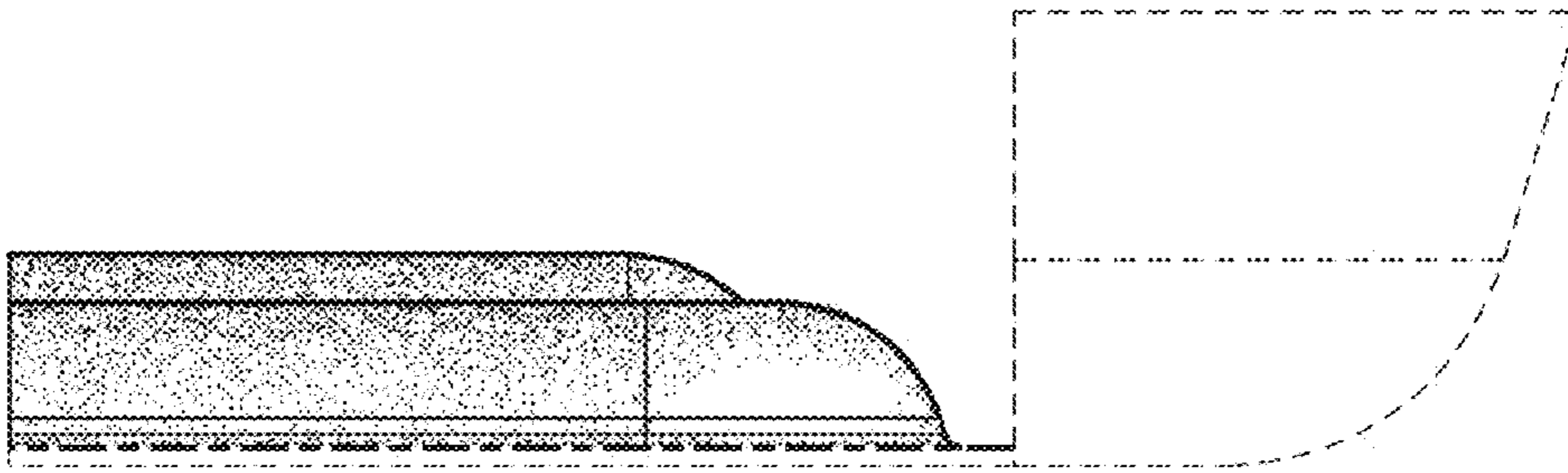




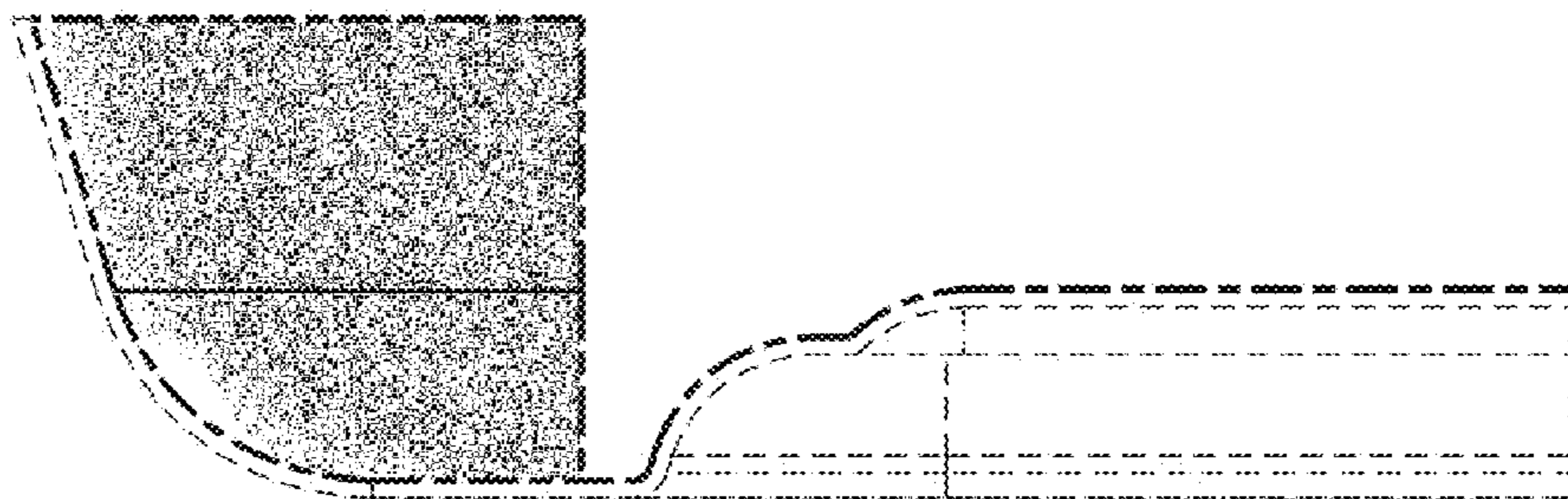
**FIG. 4**



**FIG. 5**



**FIG. 6**



**FIG. 7**