



US00D645342S

(12) **United States Design Patent**
Allers et al.

(10) **Patent No.:** **US D645,342 S**

(45) **Date of Patent:** **** Sep. 20, 2011**

(54) **FOOD CONTAINER**

(75) Inventors: **Brian S. Allers**, Poughkeepsie, NY
(US); **James J. Reilly**, Queensbury, NY
(US); **Edward W. Rider, Jr.**, Slate Hill,
NY (US)

(73) Assignee: **Genpak LLC**, Glens Falls, NY (US)

(**) Term: **14 Years**

(21) Appl. No.: **29/384,481**

(22) Filed: **Jan. 31, 2011**

(51) **LOC (9) Cl.** **09-07**

(52) **U.S. Cl.** **D9/434; D9/424**

(58) **Field of Classification Search** D9/734,
D9/707, 629, 456, 435, 434, 433, 432, 427,
D9/425, 424, 423, 420, 418, 414, 430; D7/354;
D6/518, 515; D3/294, 302; D27/189; 383/42;
220/4.23, 409, 784, 778, 776, 494, 482, 268,
220/265

See application file for complete search history.

(56) **References Cited**

U.S. PATENT DOCUMENTS

D184,057 S * 12/1958 Kearns D9/425
D194,814 S * 3/1963 Engles D9/425

D200,555 S * 3/1965 Iwanski D9/425
D207,131 S * 3/1967 Peace D9/425
D575,095 S * 8/2008 Schreiber-Pethan et al. .. D7/354

* cited by examiner

Primary Examiner — Susan Hattan Hattan

(74) *Attorney, Agent, or Firm* — Stoel Rives LLP

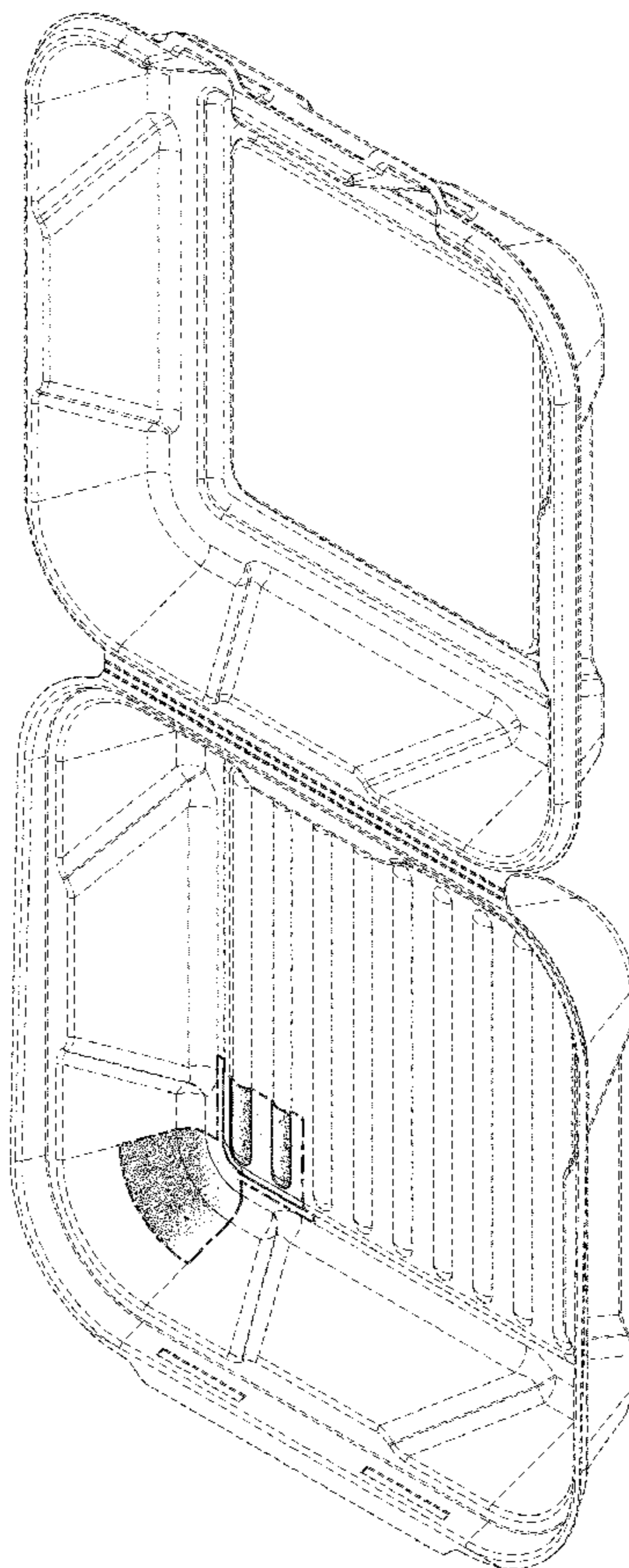
(57) **CLAIM**

The ornamental design for a food container, as shown and described.

DESCRIPTION

FIG. 1 is a perspective view of an embodiment of a food container showing our new design; FIG. 2 is another perspective view thereof; FIG. 3 is a top plan view thereof; FIG. 4 is a rear elevation view thereof; FIG. 5 is a front elevation view thereof; FIG. 6 is a left side elevation view thereof; and, FIG. 7 is a right side elevation view thereof. The broken lines immediately adjacent the shaded areas represent the bounds of the claimed design, while all other broken lines are directed to environment and are for illustrative purposes only; the broken lines form no part of the claimed design.

1 Claim, 5 Drawing Sheets



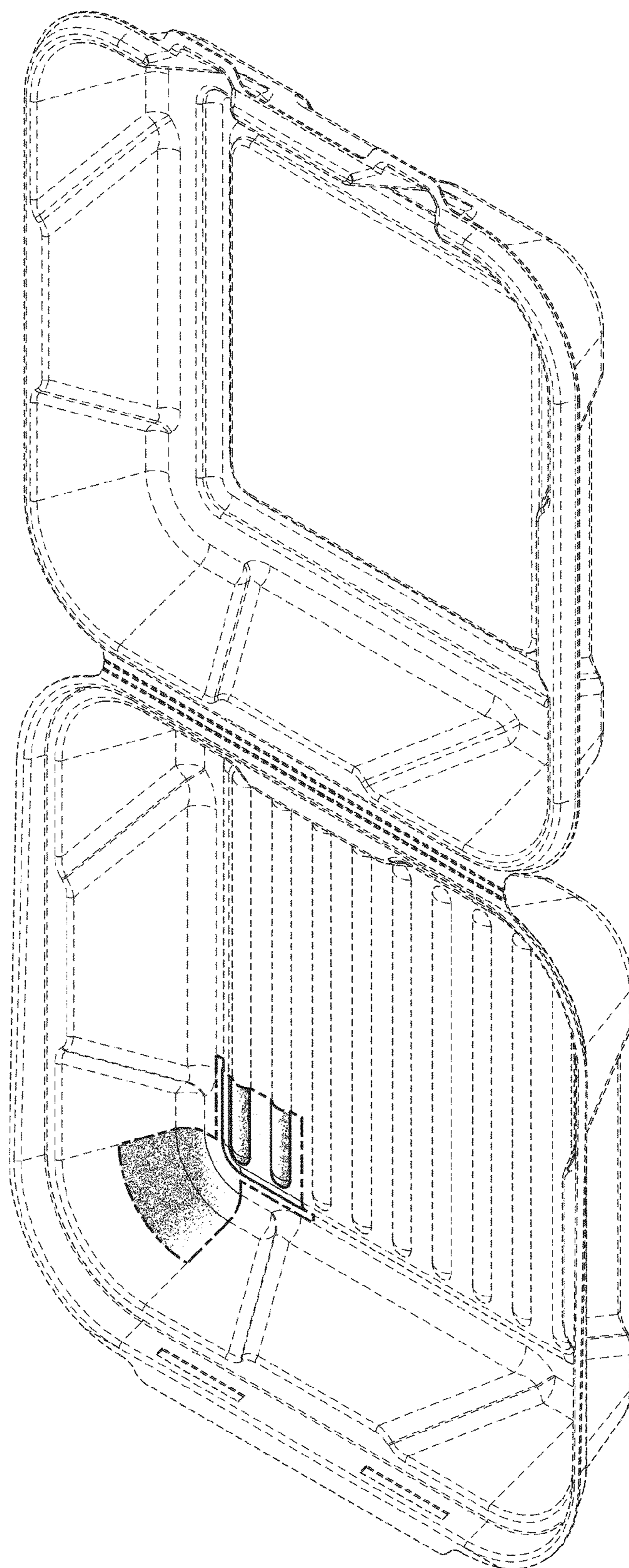


FIG. 1

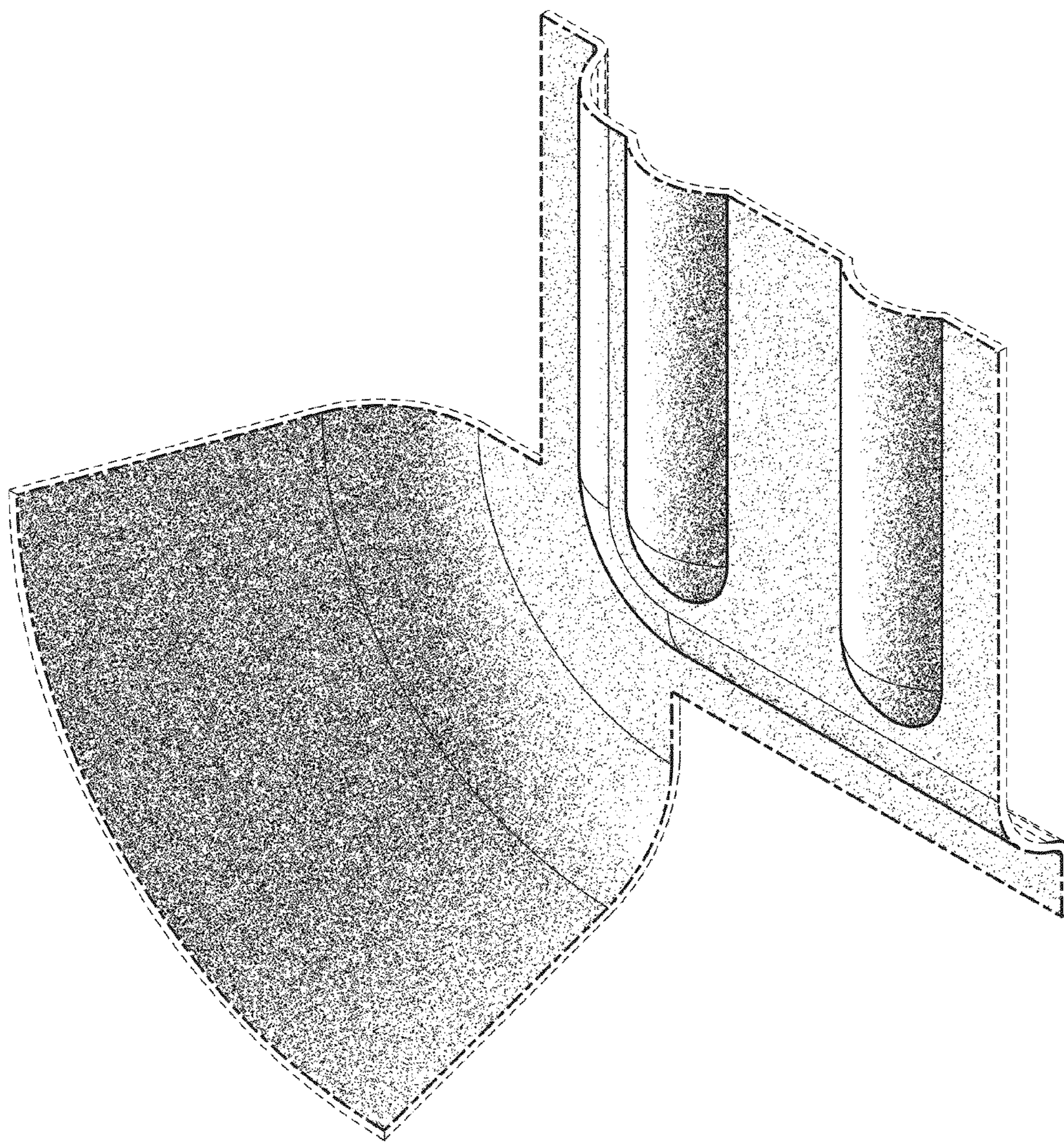


FIG. 2

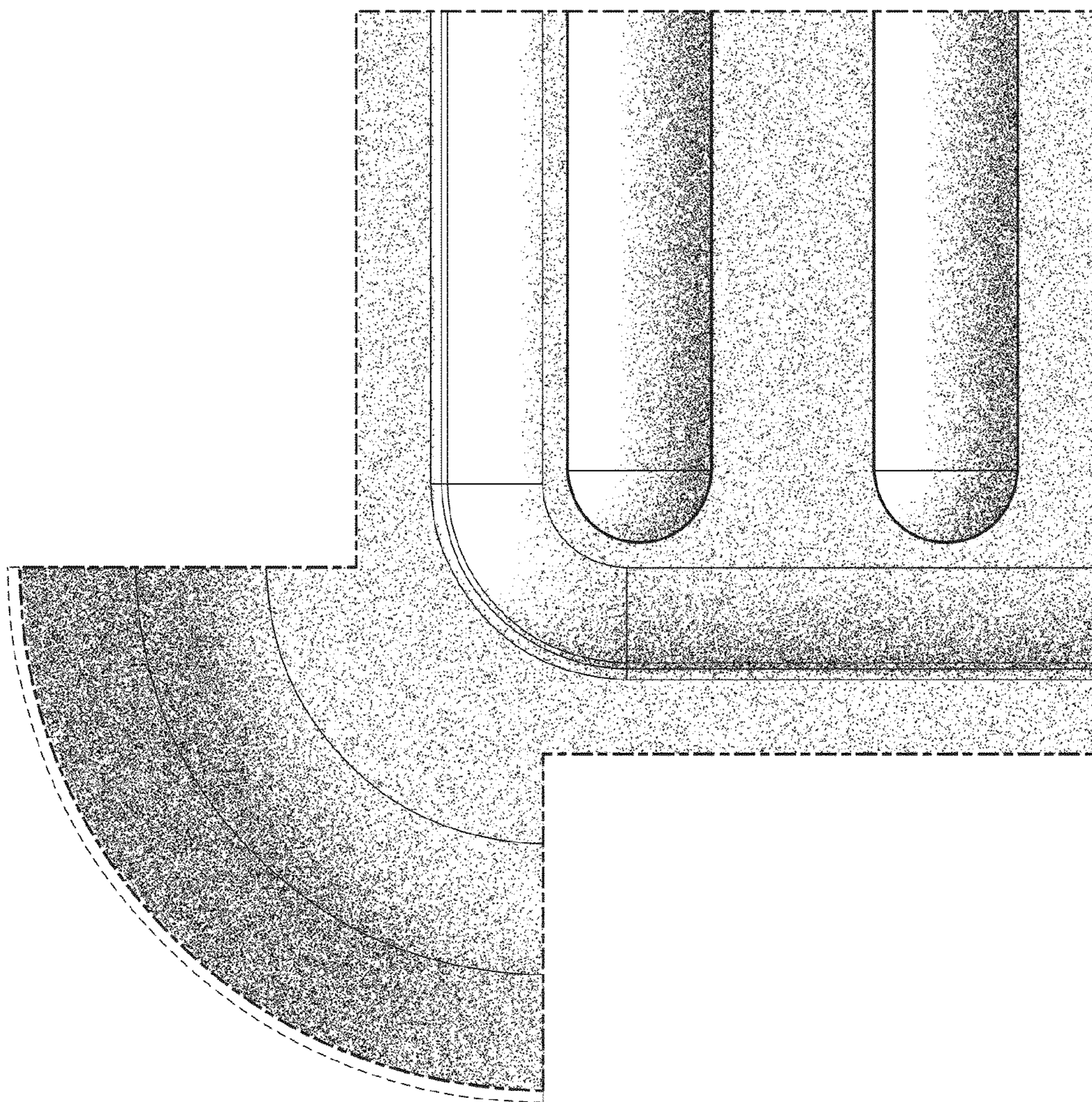


FIG. 3

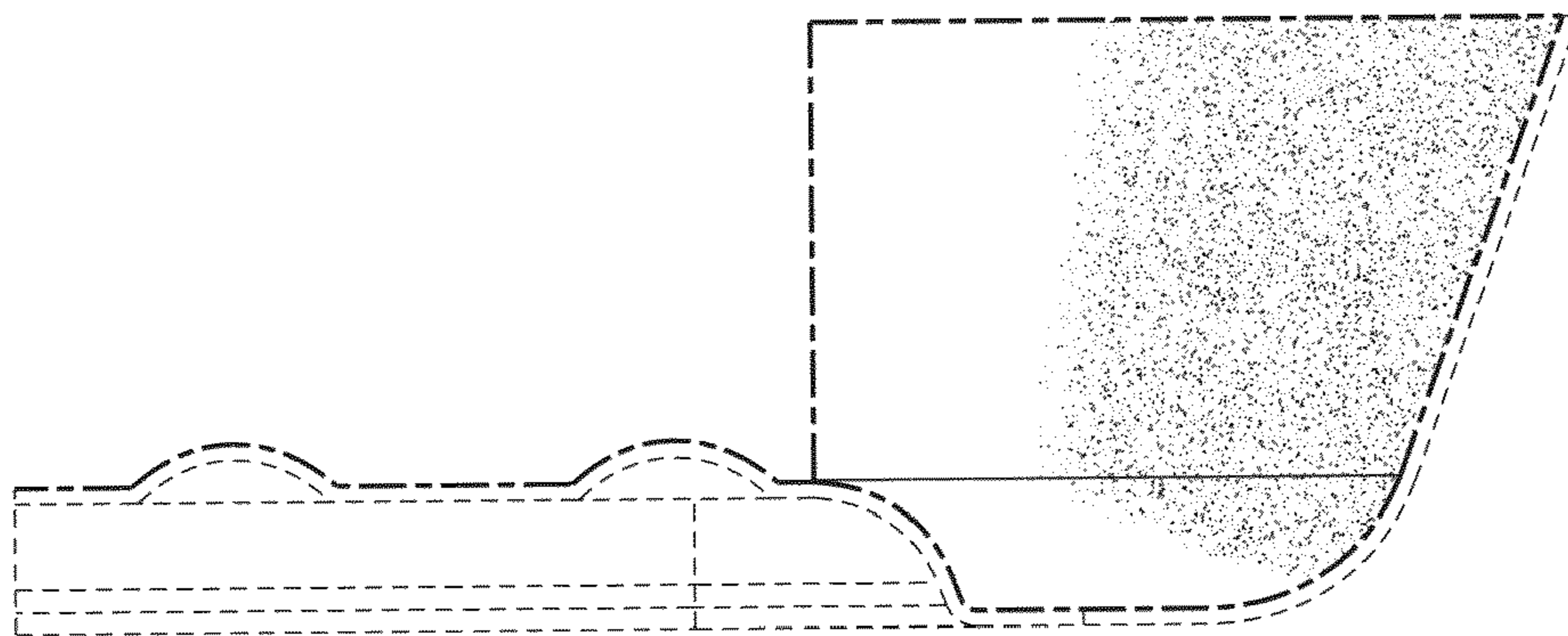


FIG. 4

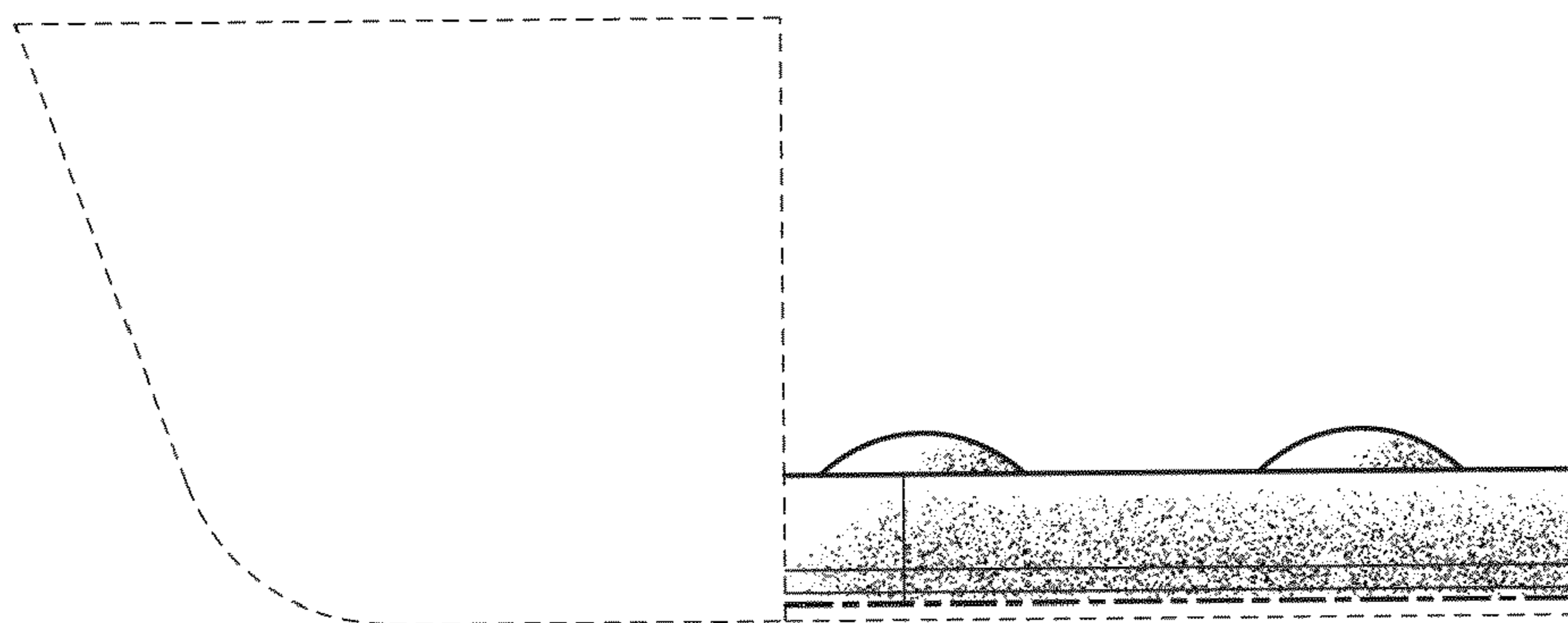


FIG. 5

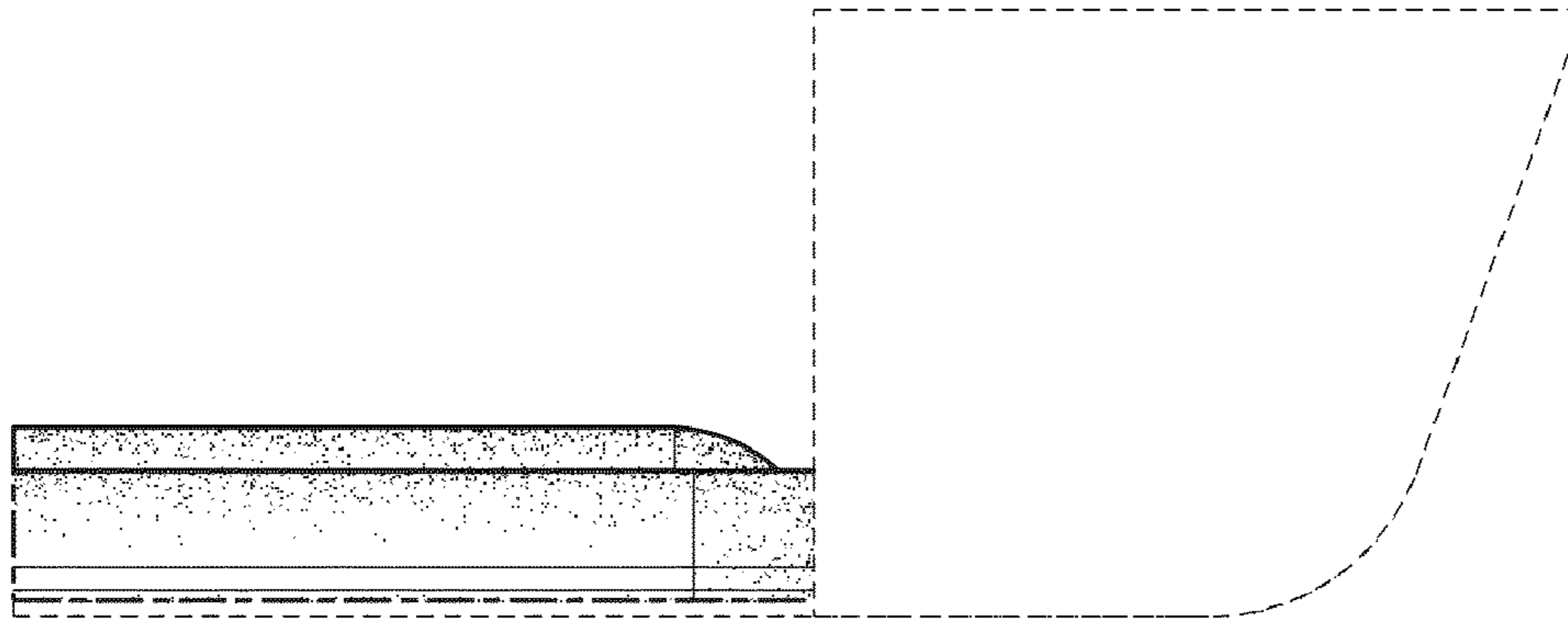


FIG. 6

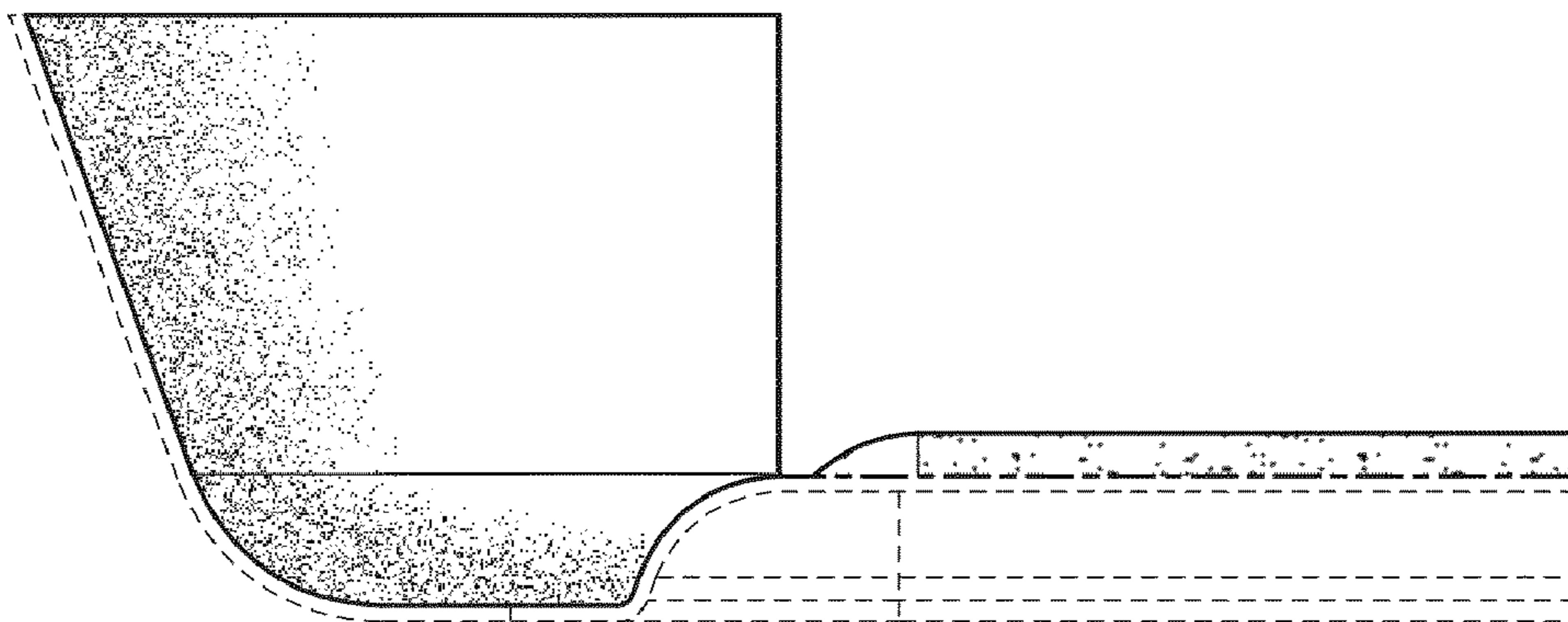


FIG. 7