



US00D645341S

(12) **United States Design Patent**  
**Bhattacharya**

(10) **Patent No.:** **US D645,341 S**

(45) **Date of Patent:** **\*\* Sep. 20, 2011**

(54) **CONTAINER**

(75) **Inventor:** **Animesh Bhattacharya, Dubai (AE)**

(73) **Assignee:** **Mars, Incorporated, McLean, VA (US)**

(\*\*) **Term:** **14 Years**

(21) **Appl. No.:** **29/376,064**

(22) **Filed:** **Oct. 1, 2010**

(30) **Foreign Application Priority Data**

Apr. 26, 2010 (AE) ..... D116/2010

(51) **LOC (9) Cl.** ..... **09-03**

(52) **U.S. Cl.** ..... **D9/430**

(58) **Field of Classification Search** ..... D9/430-433,  
D9/414, 418, 420-423, 435, 560, 561; D3/201,  
D3/272, 273, 305; 206/278, 297, 299, 320,  
206/339, 433, 769, 770, 775, 776, 781, 782,  
206/822; 229/100, 103.3, 104-106, 107,  
229/108, 108.1, 110, 111, 112, 115, 117.16,  
229/120, 125.015, 120.32, 133.24, 122.29,  
229/124, 160.1, 162.1, 162.6, 163, 182.1,  
229/201, 406, 407, 902, 904, 906, 922, 930,  
229/939, 942; D7/602

See application file for complete search history.

(56) **References Cited**

U.S. PATENT DOCUMENTS

D275,836	S	*	10/1984	Forbes, Jr.	.....	D9/418
5,098,014	A	*	3/1992	Perkins	.....	229/116
D334,141	S	*	3/1993	Gottofredi	.....	D9/425
D361,305	S	*	8/1995	Shryock	.....	D11/164
D361,738	S	*	8/1995	Shryock	.....	D11/164
D373,528	S	*	9/1996	Ser Tuen Wei	.....	D9/431
D398,226	S	*	9/1998	Lai et al.	.....	D9/418
D592,050	S	*	5/2009	Casebasse	.....	D9/431
D592,051	S	*	5/2009	Casebasse	.....	D9/431
D592,502	S	*	5/2009	Casebasse	.....	D9/431
D605,035	S	*	12/2009	Altonen et al.	.....	D9/432

\* cited by examiner

*Primary Examiner* — Thomas Johannes

(74) *Attorney, Agent, or Firm* — Arent Fox LLP

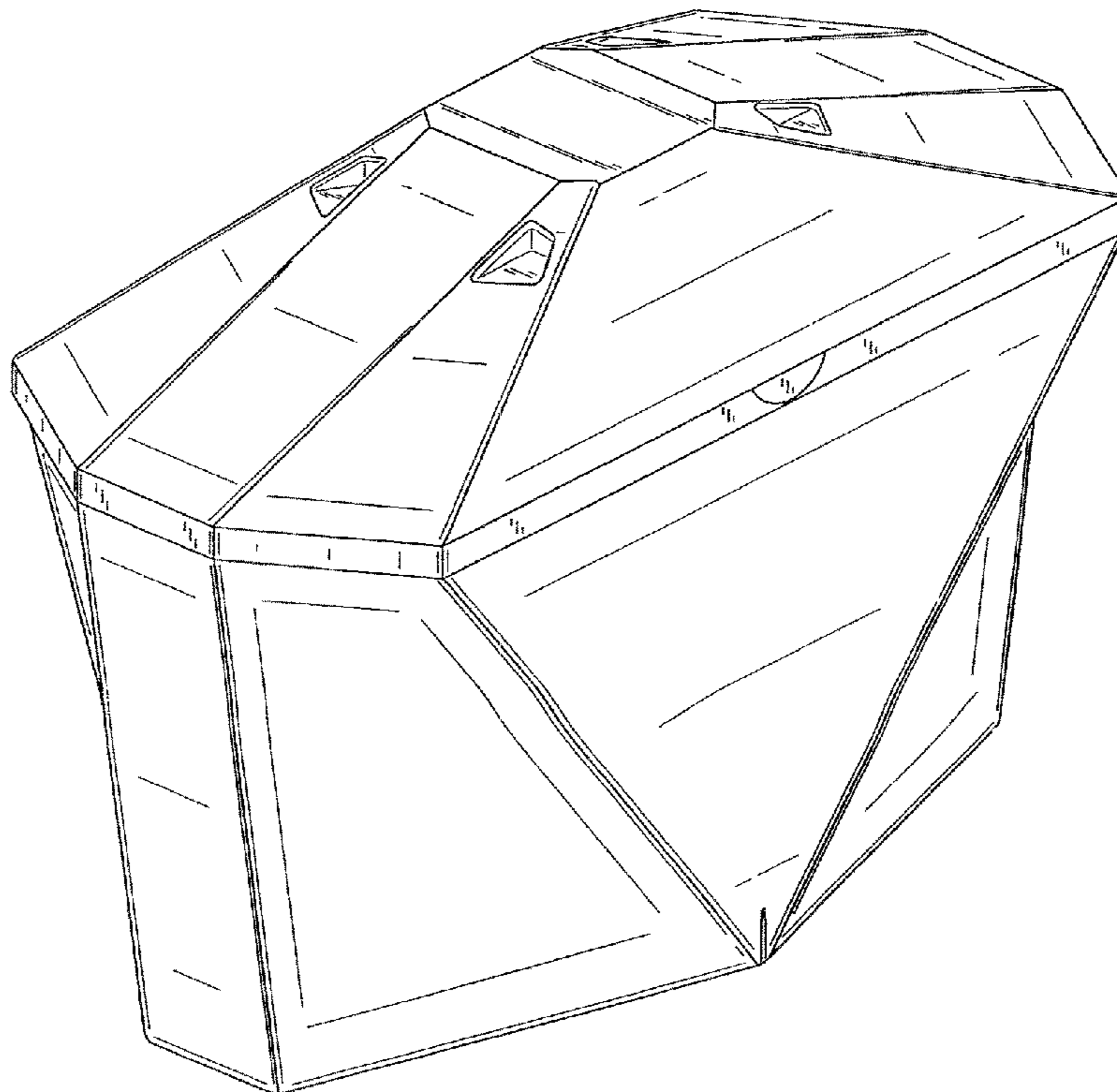
(57) **CLAIM**

The ornamental design for a container, as shown and described.

**DESCRIPTION**

FIG. 1 is a perspective view of a container showing my new design;  
FIG. 2 is a front elevation view thereof, the rear view being identical thereto;  
FIG. 3 is a left side elevation thereof, the right side view being identical thereto;  
FIG. 4 is a top plan view thereof; and,  
FIG. 5 is a bottom plan view thereof.

**1 Claim, 5 Drawing Sheets**



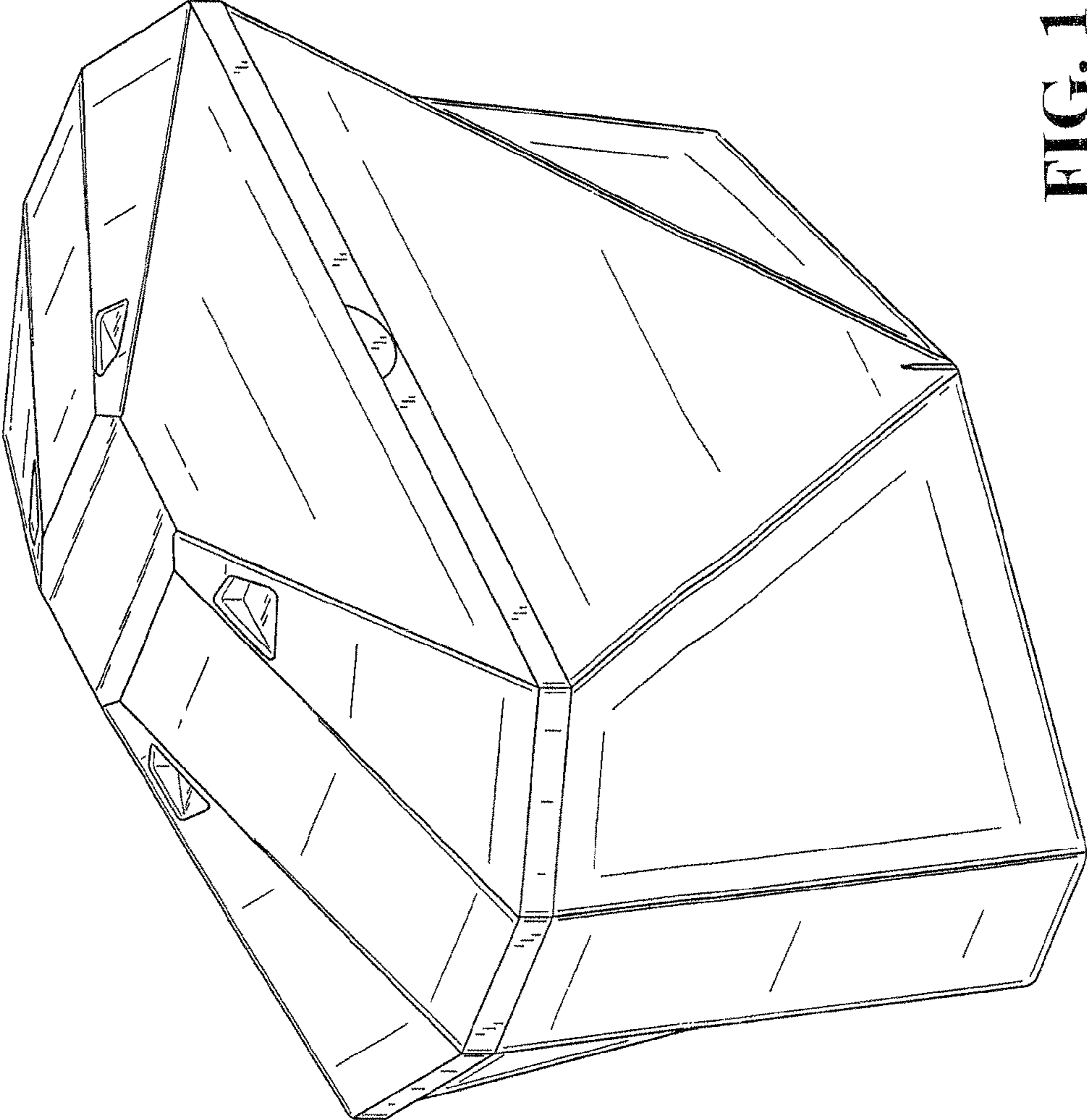


FIG. 1

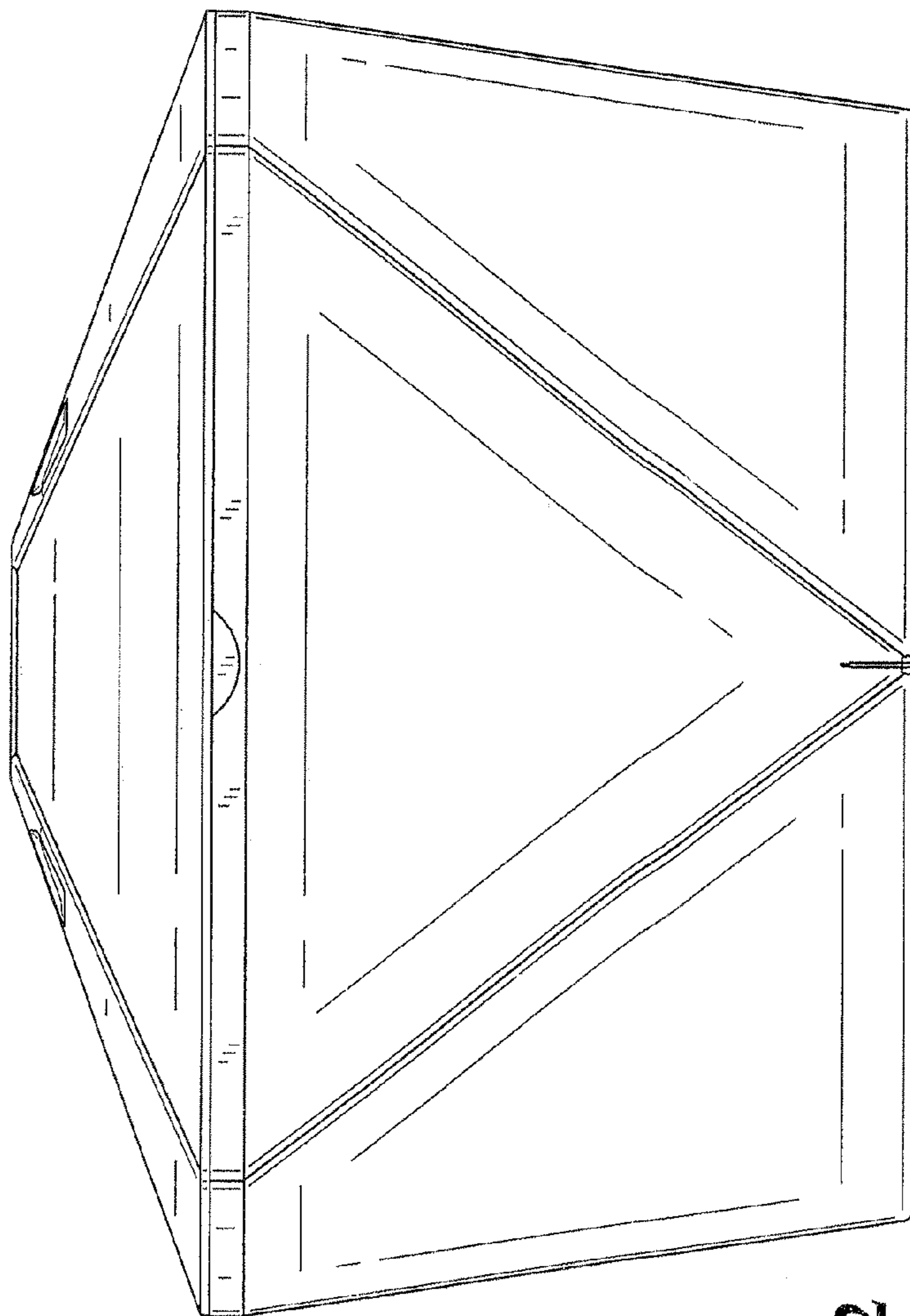


FIG. 2

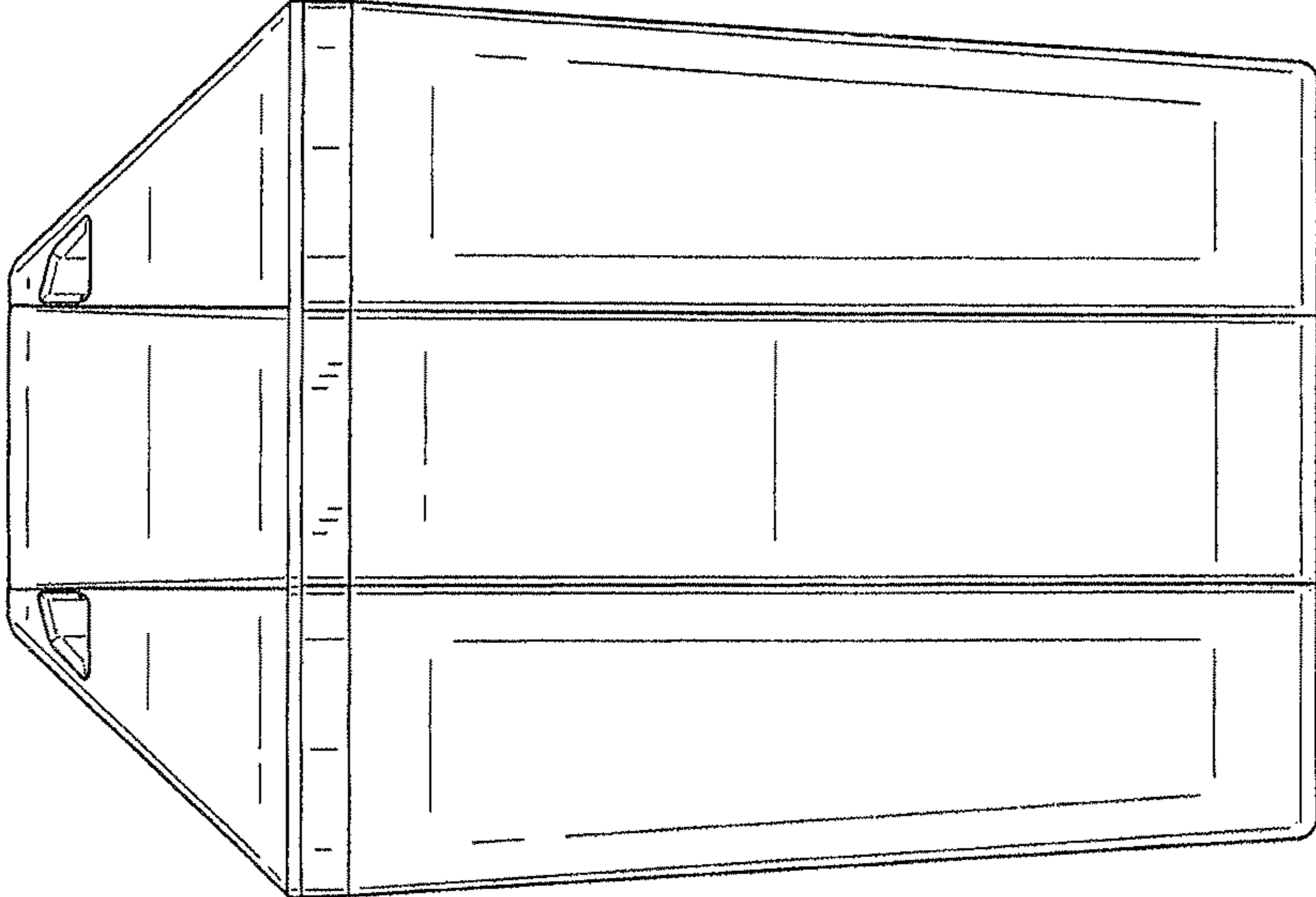


FIG. 3

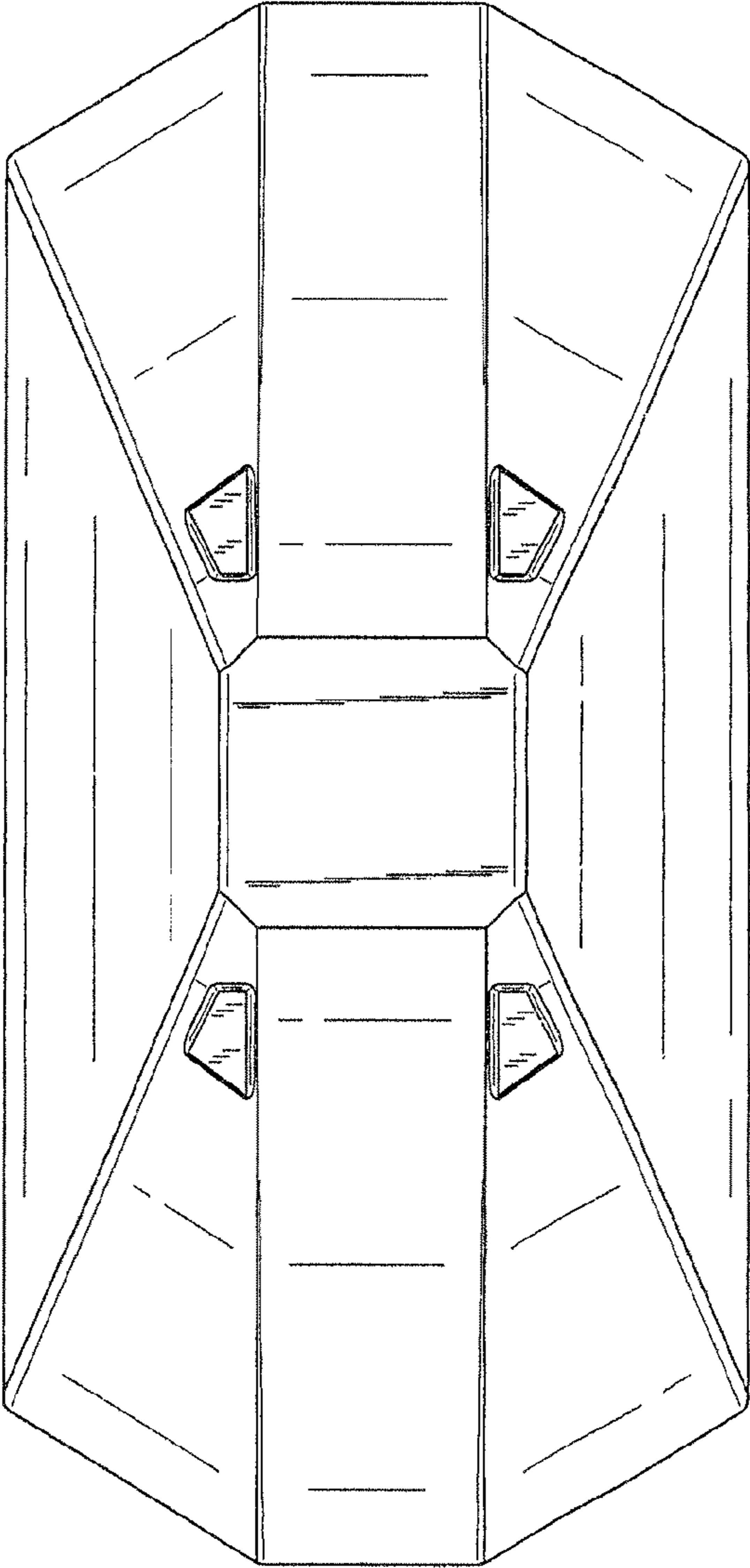


FIG. 4

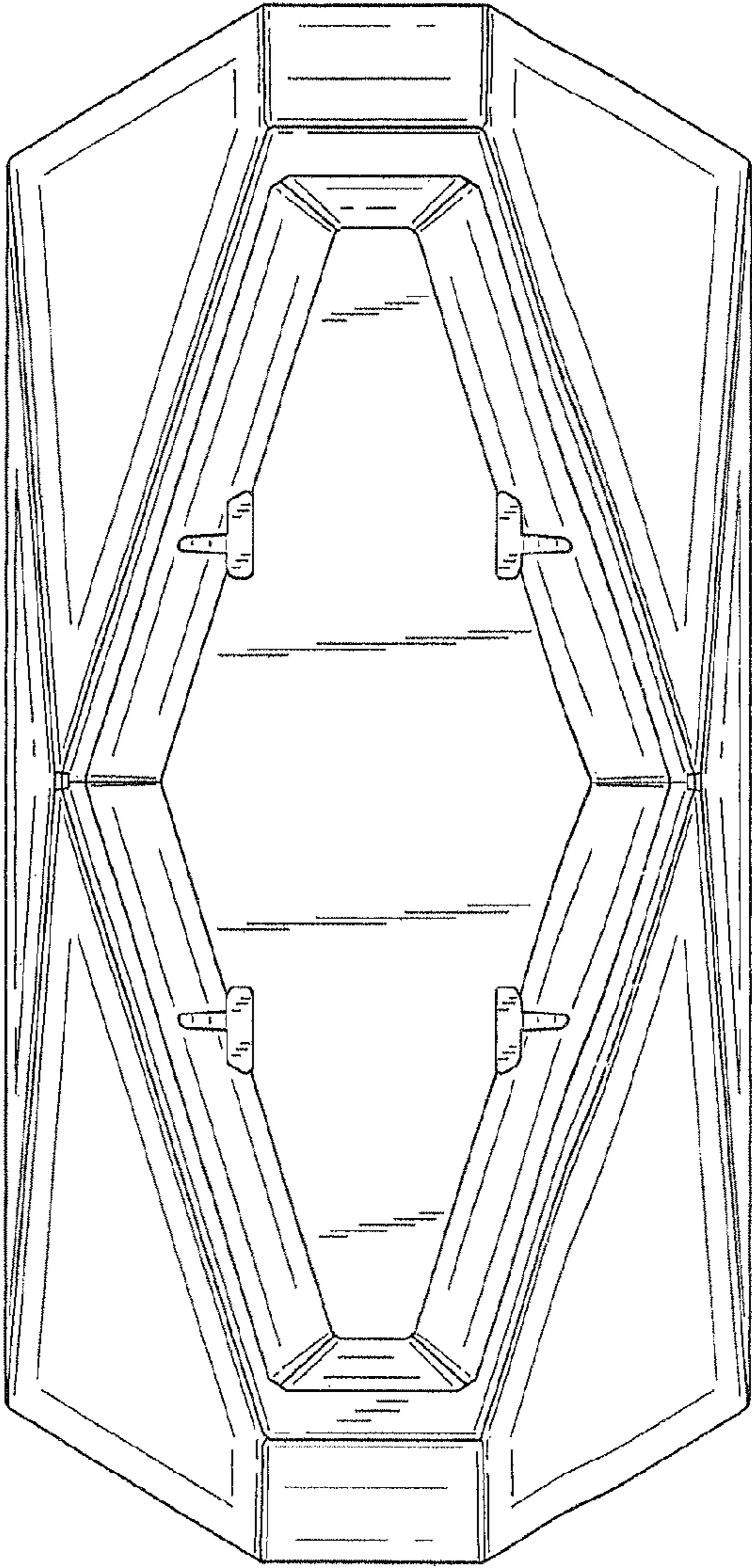


FIG. 5