

US00D645340S

(12) **United States Design Patent**
Menard et al.

(10) **Patent No.:** **US D645,340 S**

(45) **Date of Patent:** **** Sep. 20, 2011**

(54) **BEVERAGE CARTRIDGE**

(74) *Attorney, Agent, or Firm* — Robert J Doherty

(76) Inventors: **David R Menard**, Somerset, MA (US);
Katherine A Zorabedian, Somerset,
MA (US)

(57) **CLAIM**

The ornamental design for a beverage cartridge, as shown and described.

(**) Term: **14 Years**

DESCRIPTION

(21) Appl. No.: **29/372,610**

(22) Filed: **Dec. 15, 2010**

(51) **LOC (9) Cl.** **09-03**

(52) **U.S. Cl.** **D9/428**

(58) **Field of Classification Search** D9/414,
D9/418, 424, 425, 428, 429, 431; D7/619,
D7/629; 229/400–406, 932, 906.1; 220/656–659,
220/669–675, 912, 4.21–4.27; 206/553,
206/557, 541, 775, 776

See application file for complete search history.

FIG. 1 is a front perspective view of a first embodiment of a beverage cartridge with exploded ancillary parts showing our new design;

FIG. 2 is an assembled front perspective view thereof;

FIG. 3 is a top perspective view with the ancillary parts removed therefrom;

FIG. 4 is a front perspective view of FIG. 3;

FIG. 5 is a left side elevation view of FIG. 3, the right, front and rear elevation views thereof being identical thereto;

FIG. 6 is a top plan view of FIG. 3;

FIG. 7 is a bottom plan view of FIG. 3;

FIG. 8 is a bottom perspective view of FIG. 3;

FIG. 9 is a front perspective view of a second embodiment of a beverage cartridge with exploded ancillary parts showing our new design;

FIG. 10 is an assembled front perspective view of FIG. 9;

FIG. 11 is a top perspective view of FIG. 9 with the ancillary parts removed therefrom;

FIG. 12 is a front perspective view of FIG. 9;

FIG. 13 is a left side elevation view of FIG. 9, the right, front and rear elevation views thereof being identical thereto;

FIG. 14 is a top plan view of FIG. 9;

FIG. 15 is a bottom plan view of FIG. 9; and,

FIG. 16 is a bottom perspective view of FIG. 9.

The broken line representations of ancillary parts; namely; cover, retainer and filter shown in FIGS. 1, 2, 9 and 10 show unclaimed subject matter and form no part of the claimed design.

(56) **References Cited**

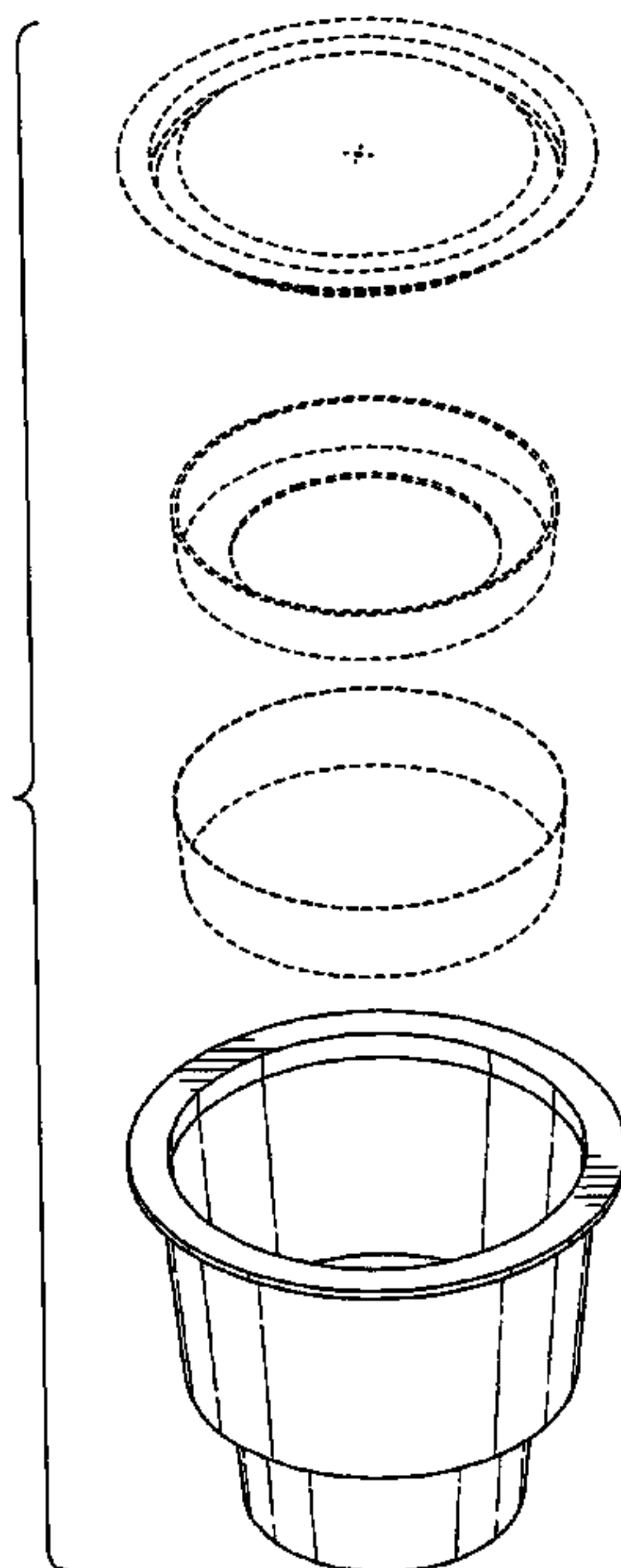
U.S. PATENT DOCUMENTS

3,128,029	A *	4/1964	Price et al.	229/400
D209,426	S *	11/1967	Metzler	D9/428
D221,418	S *	8/1971	Kinney	D9/428
D221,625	S *	8/1971	Kinney	D9/428
D265,462	S *	7/1982	Andrulionis et al.	D9/429
D275,179	S *	8/1984	Spencer et al.	D9/520
D429,150	S *	8/2000	Lindsay et al.	D9/425
D539,091	S *	3/2007	Mansfield	D7/513
D606,363	S *	12/2009	Aardenburg	D7/400
D628,476	S *	12/2010	Vang	D9/428
D628,883	S *	12/2010	Stephens	D9/429
2003/0222089	A1 *	12/2003	Hale	220/912

* cited by examiner

Primary Examiner — Thomas Johannes

1 Claim, 14 Drawing Sheets



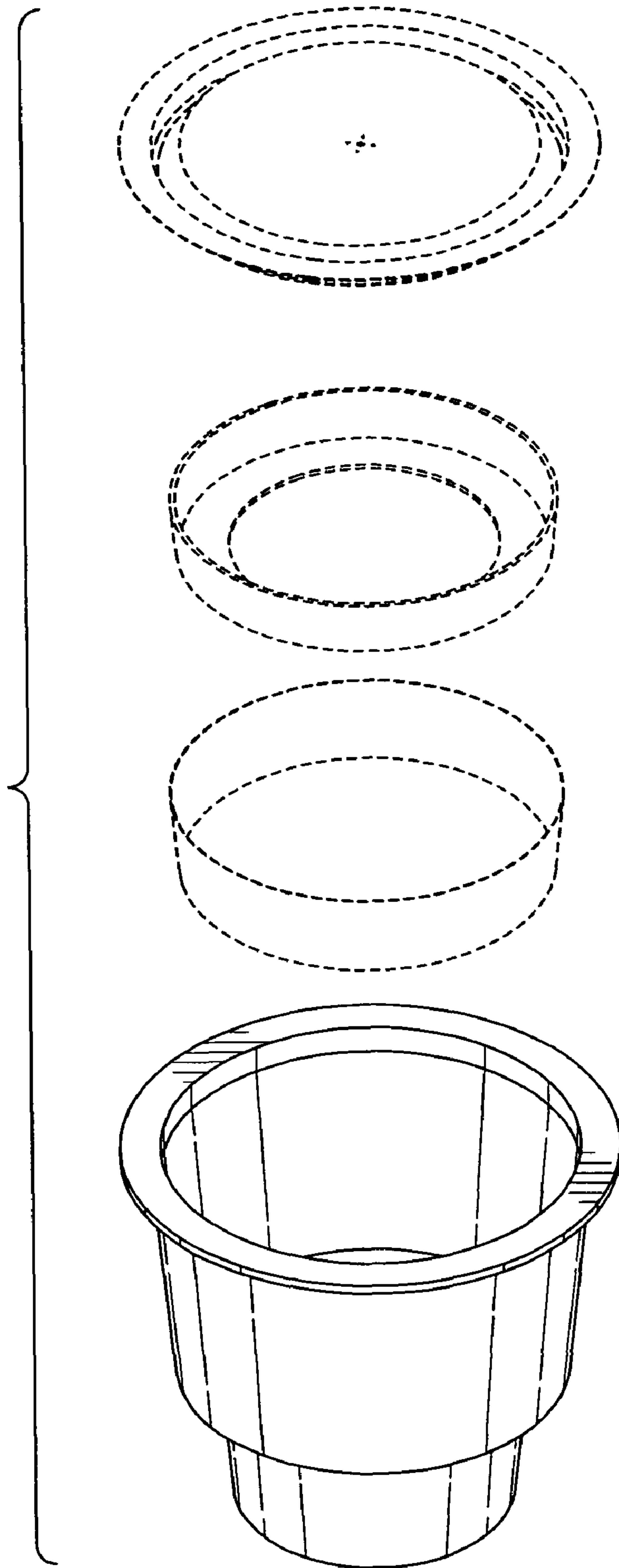


FIG. 1

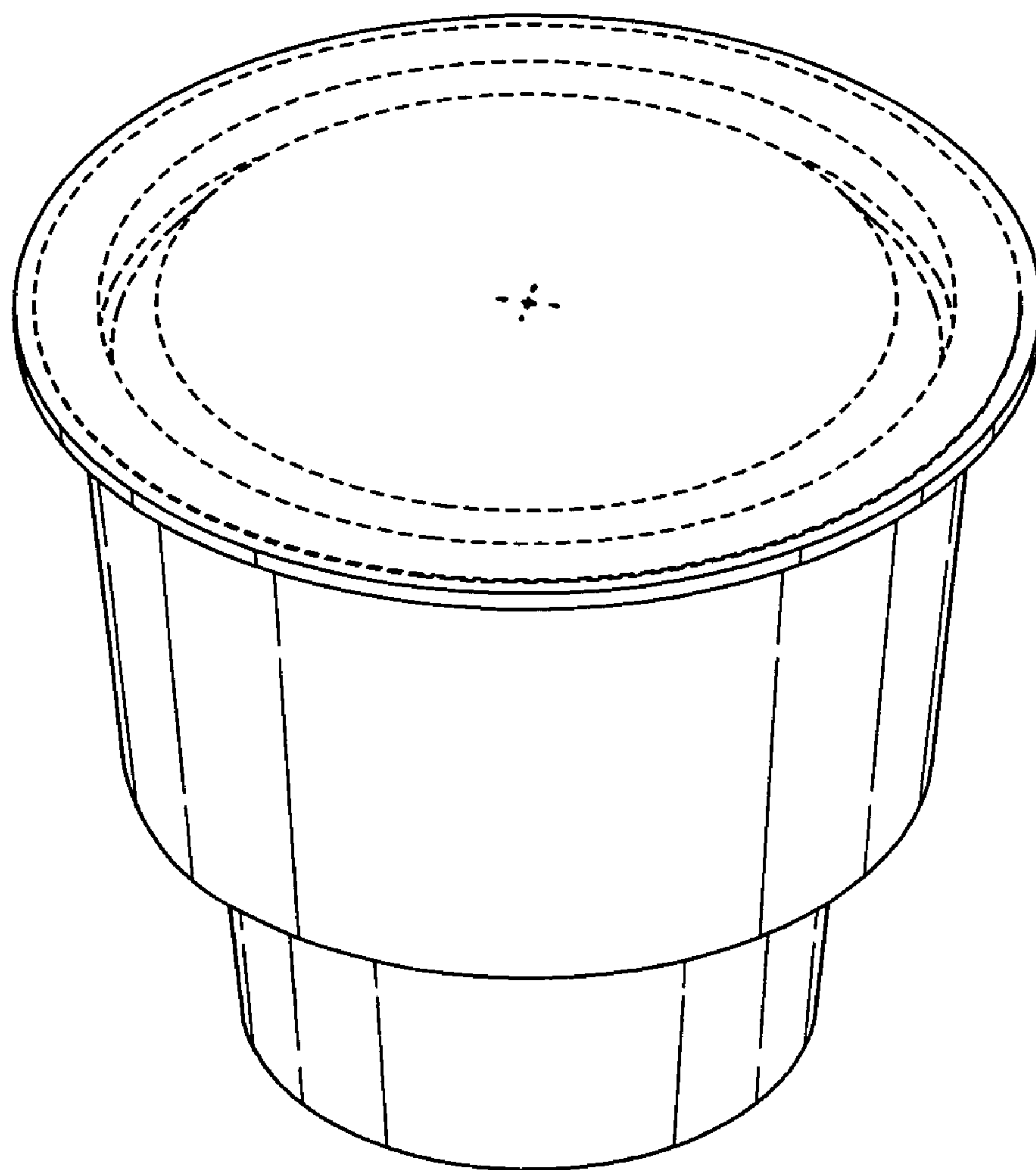


FIG. 2

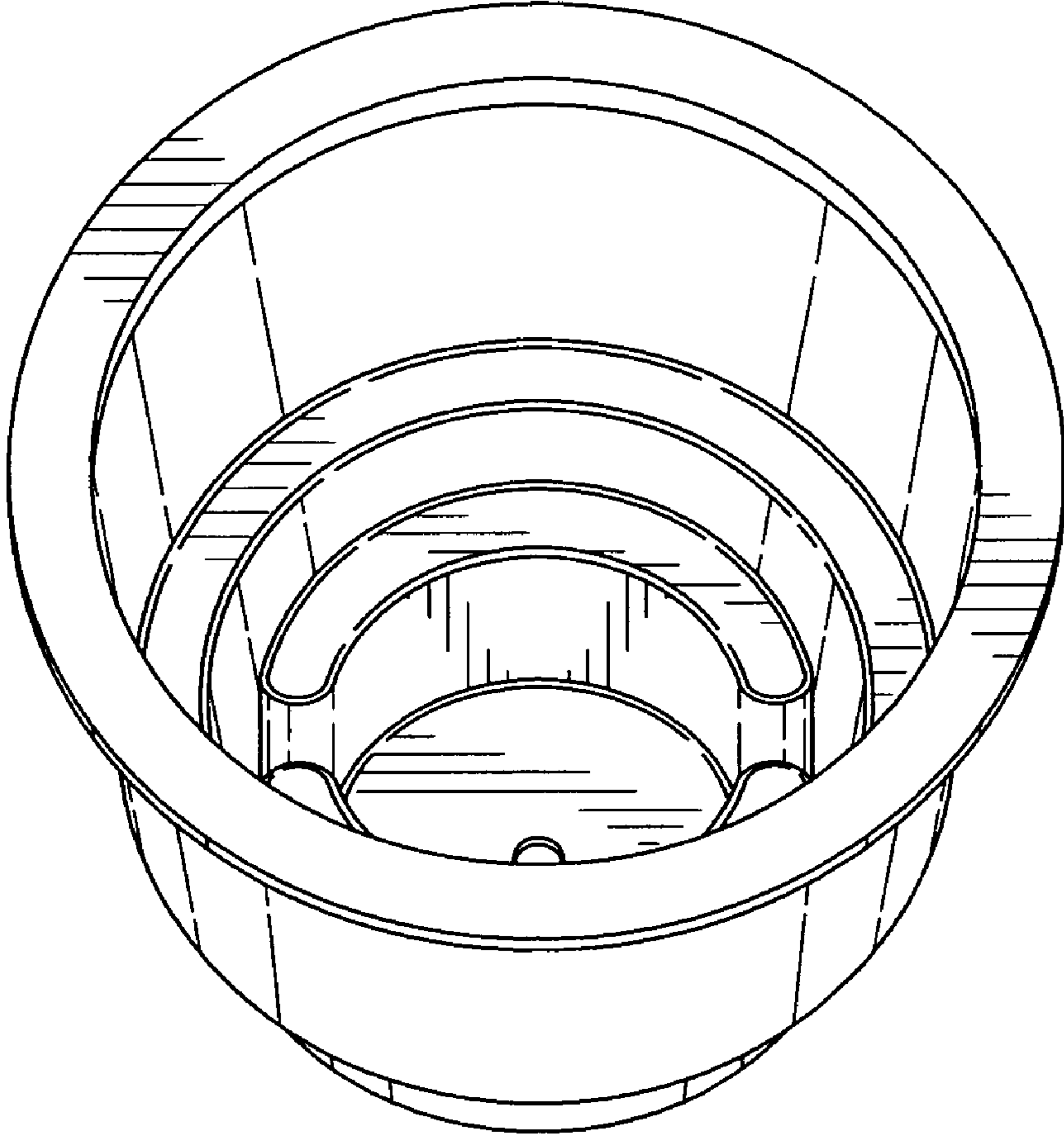


FIG. 3

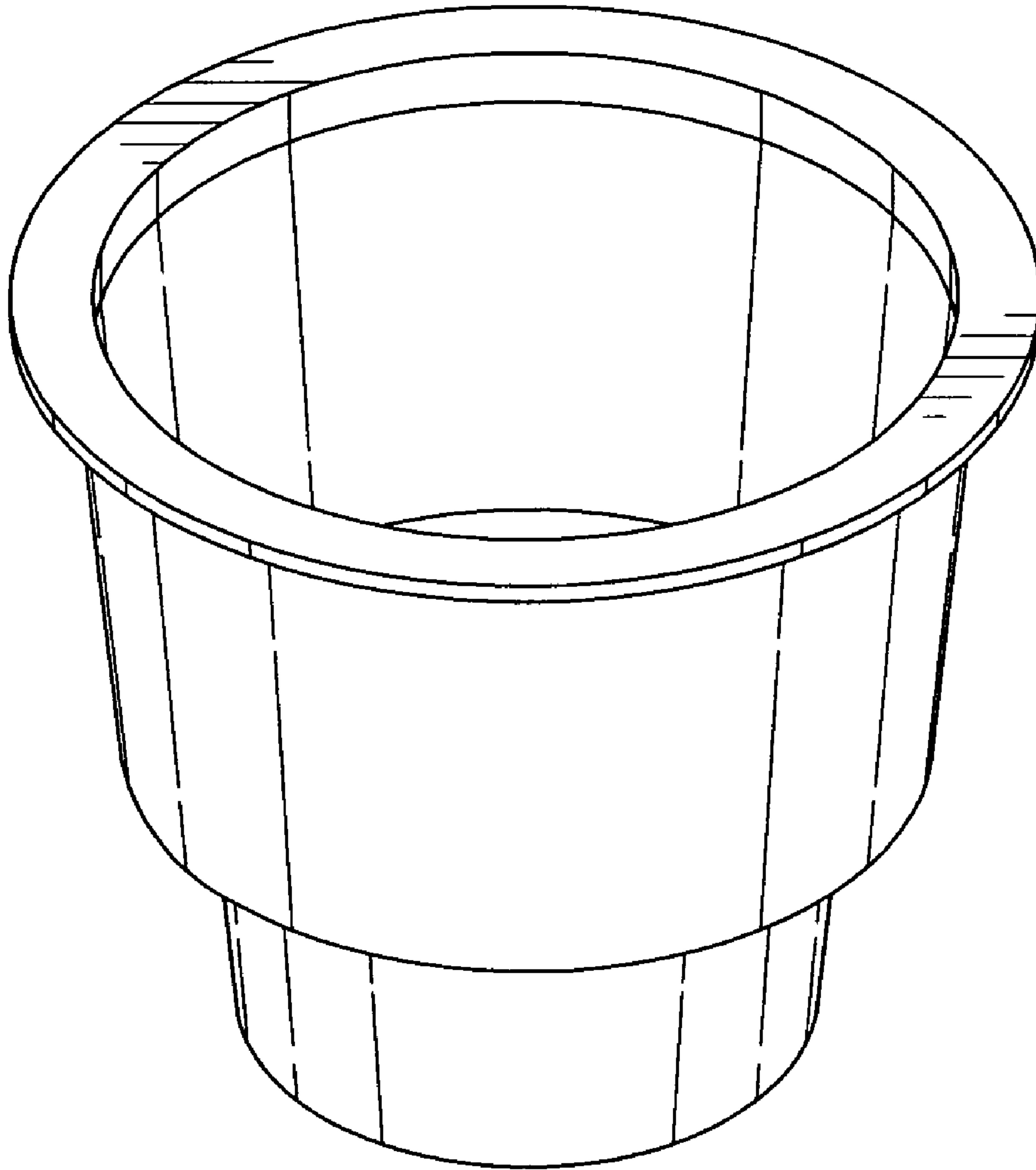


FIG. 4

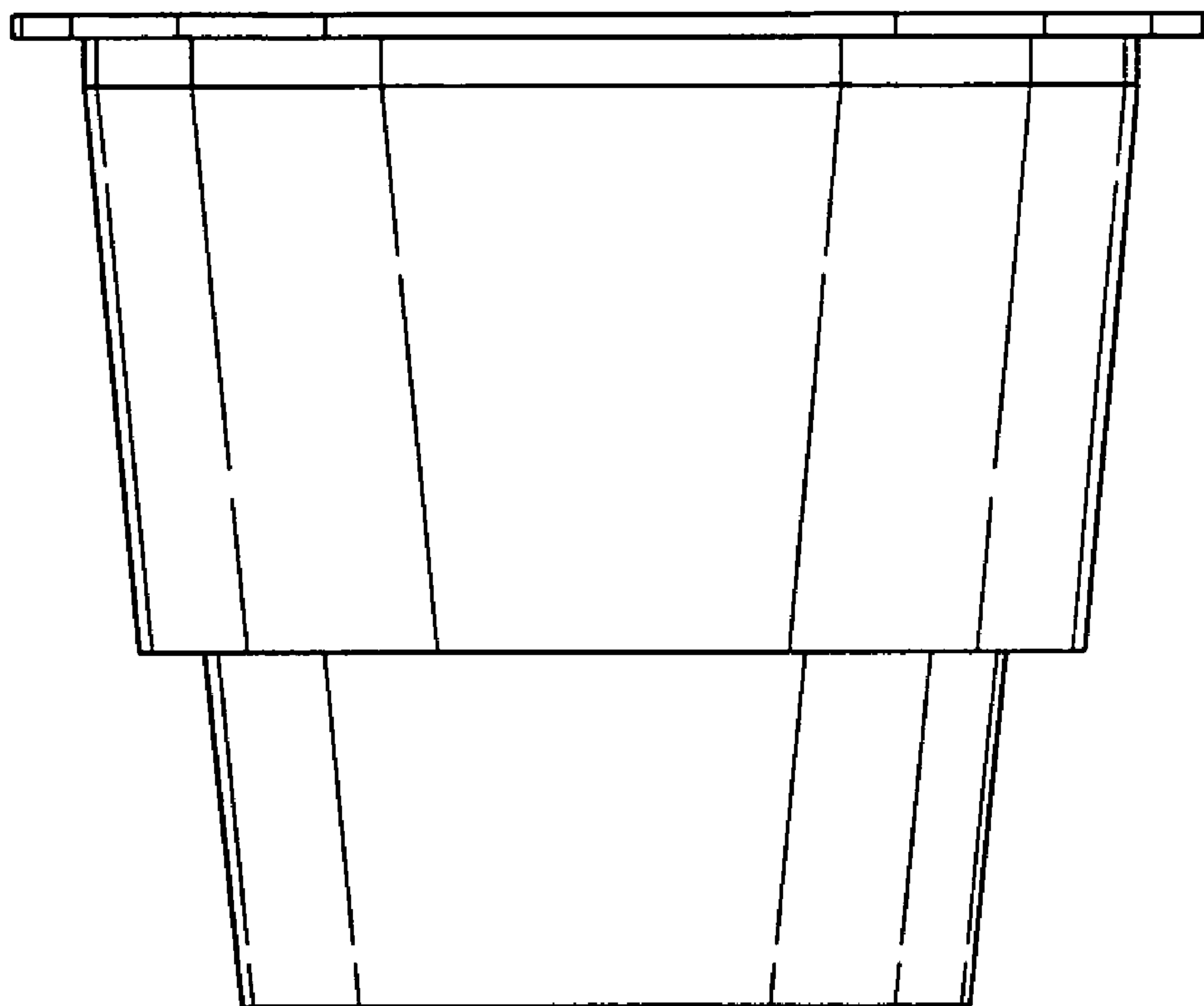


FIG. 5

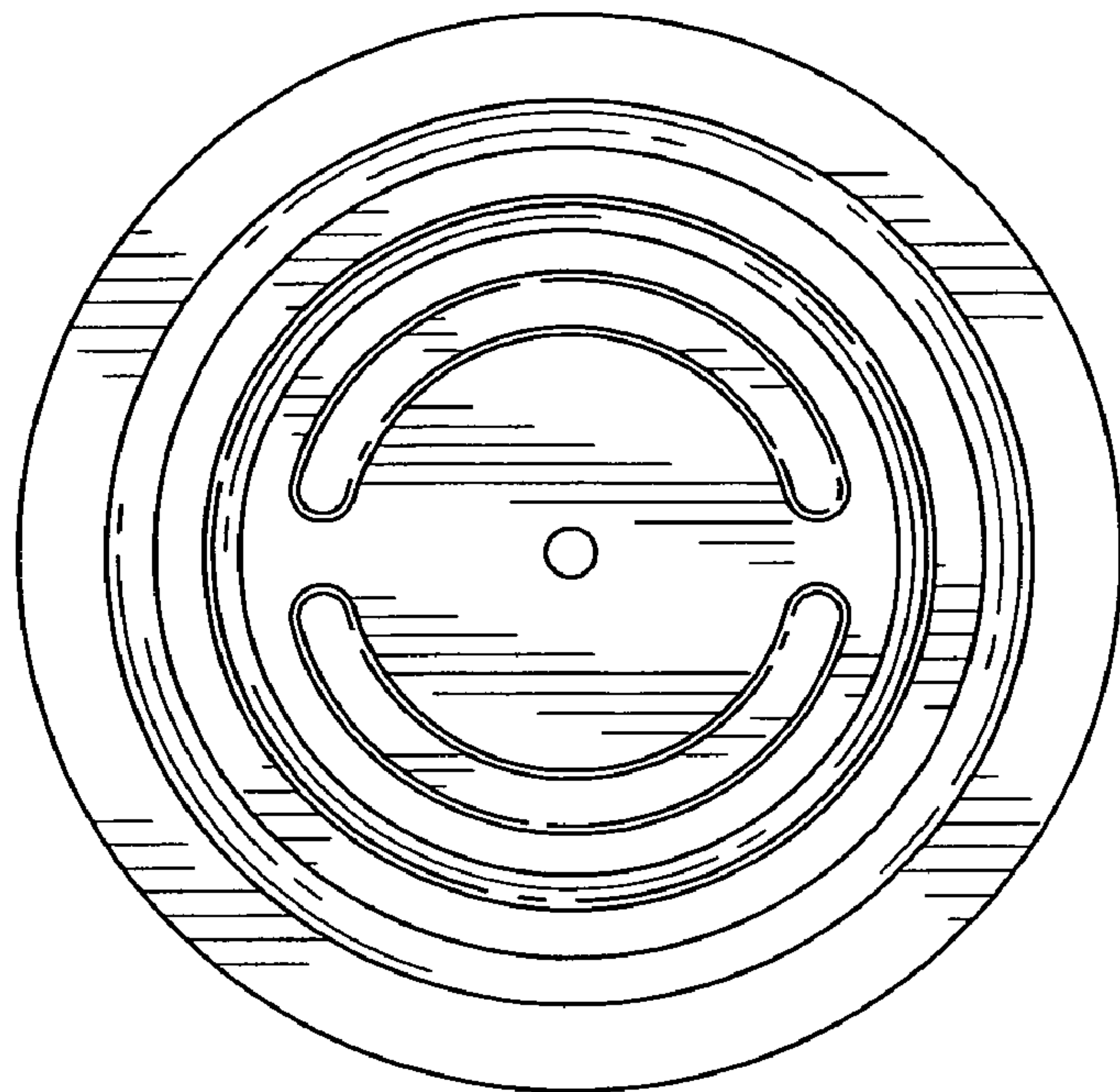


FIG. 6

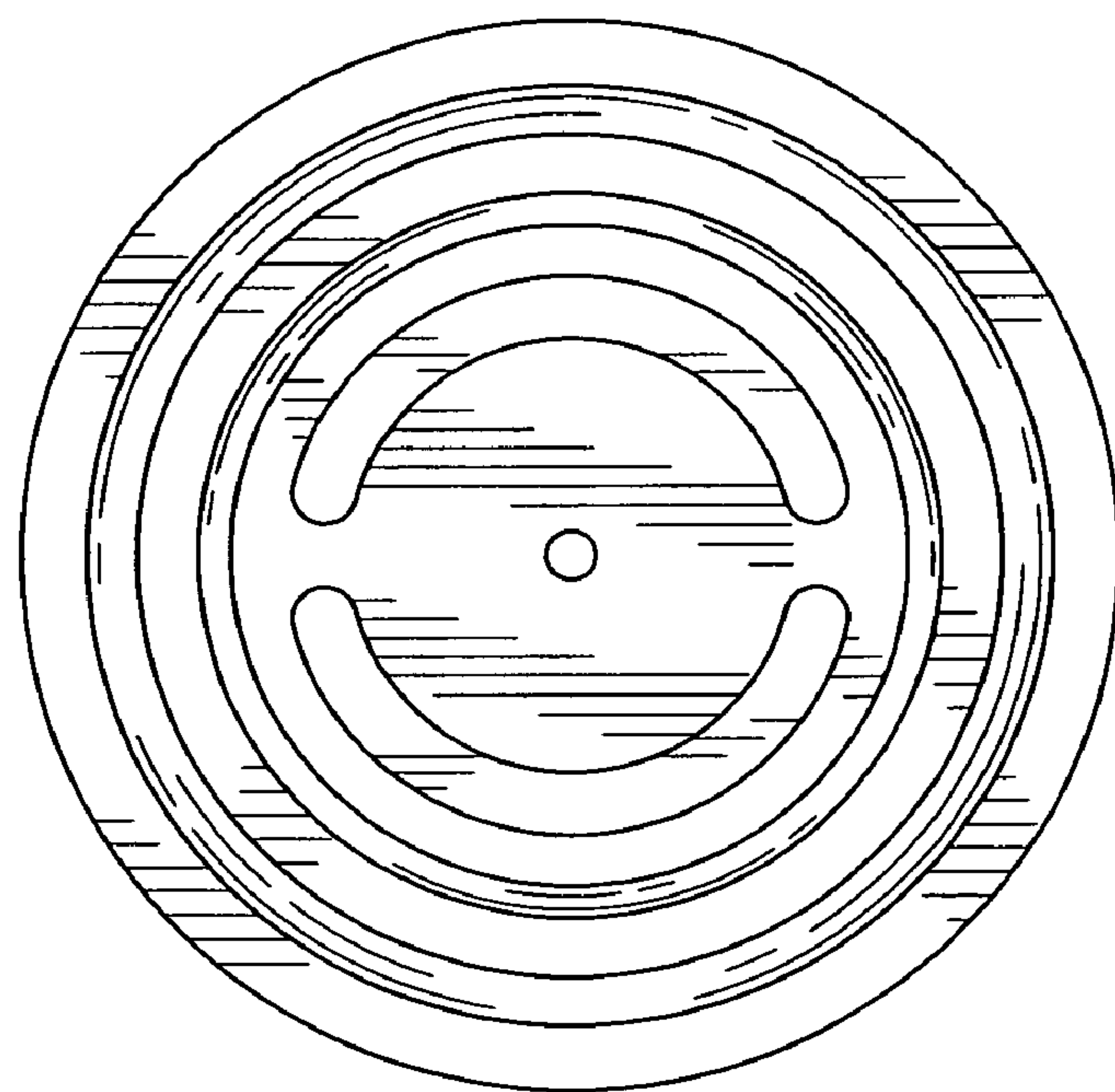


FIG. 7

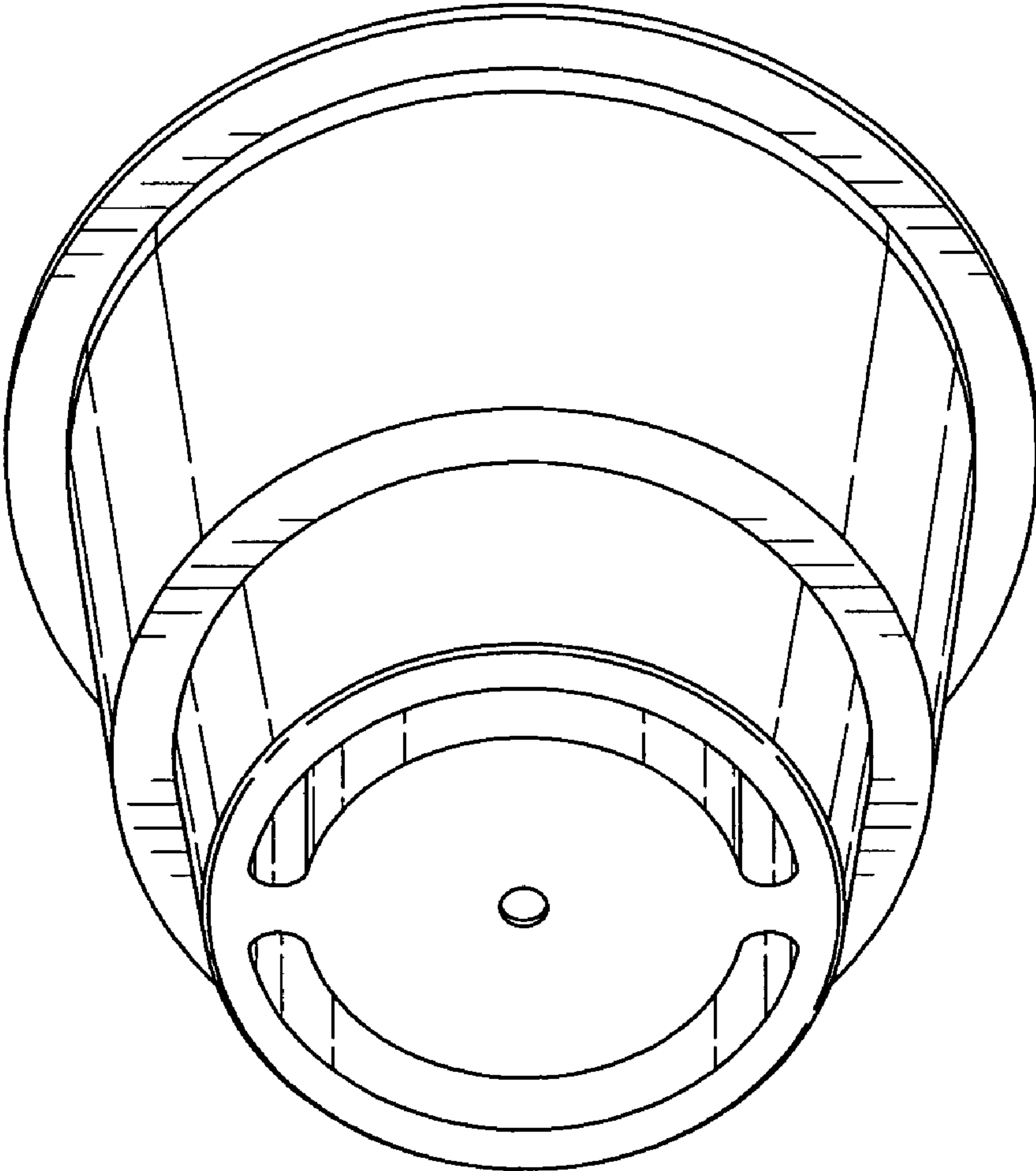


FIG. 8

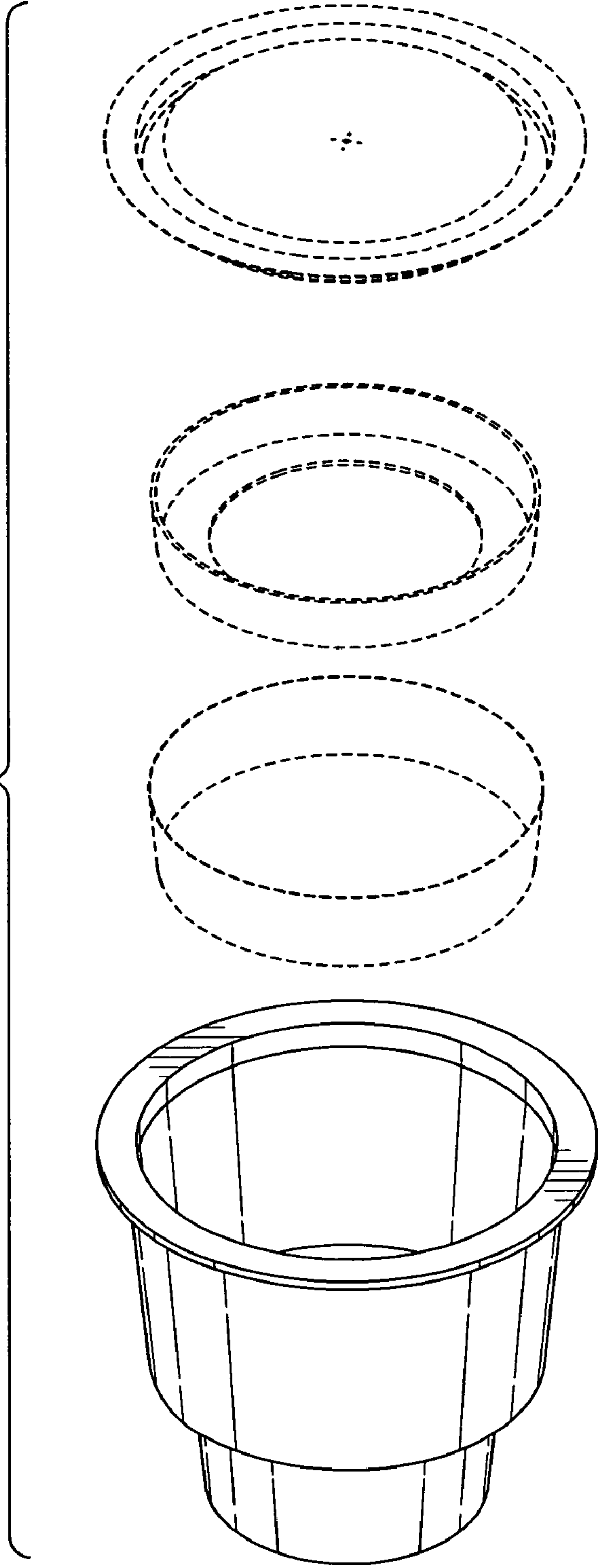


FIG. 9

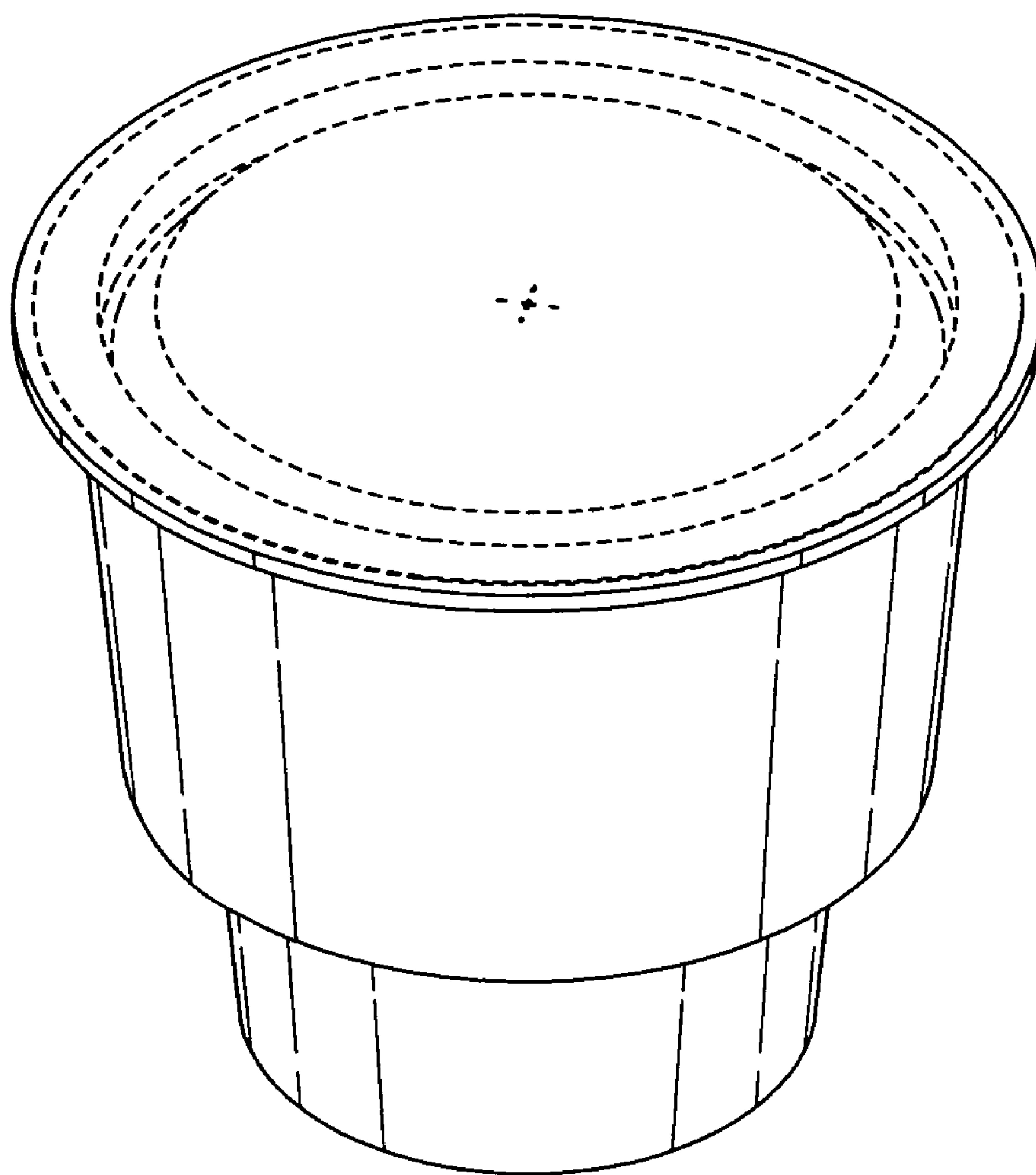


FIG. 10

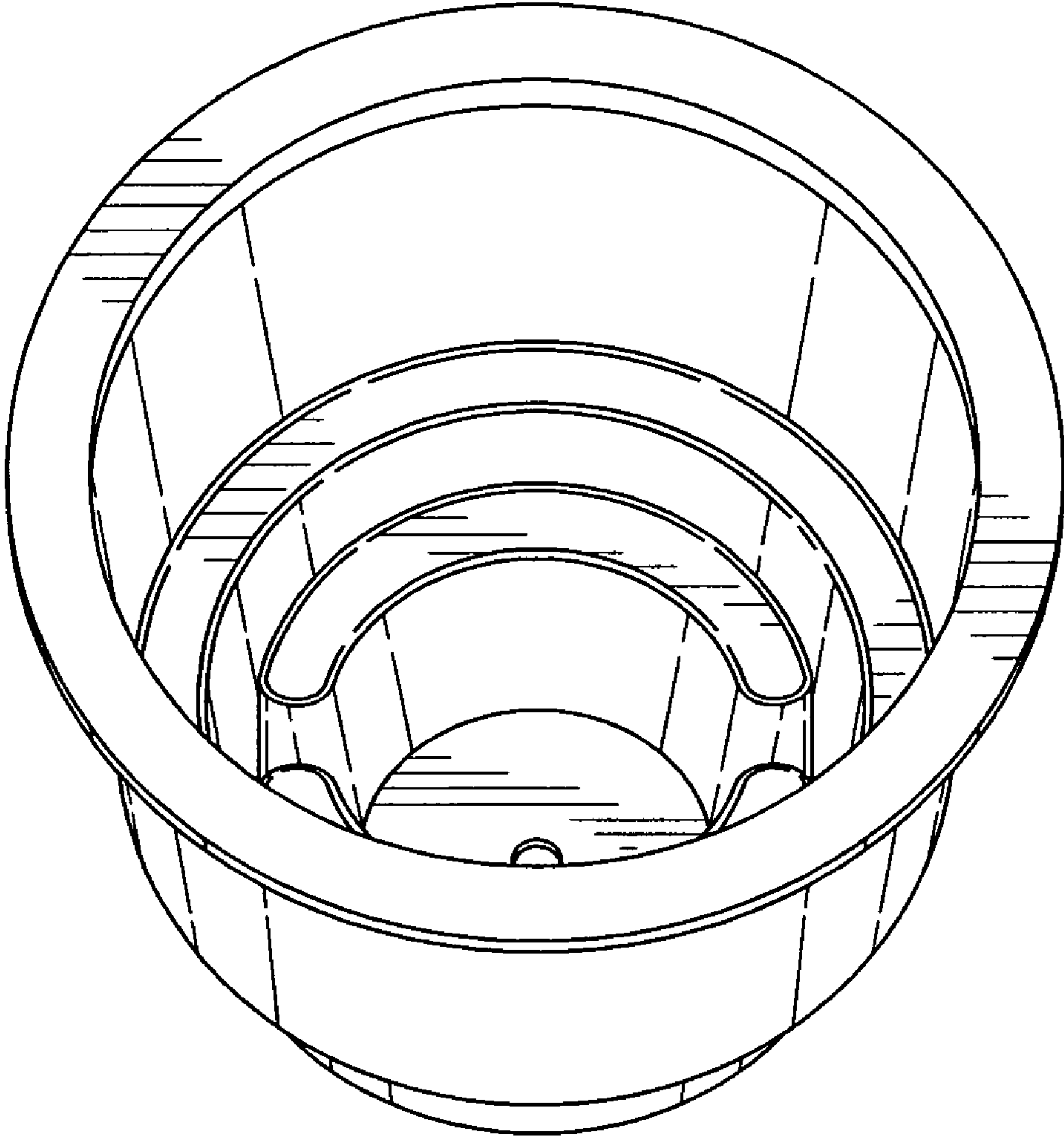


FIG. 11

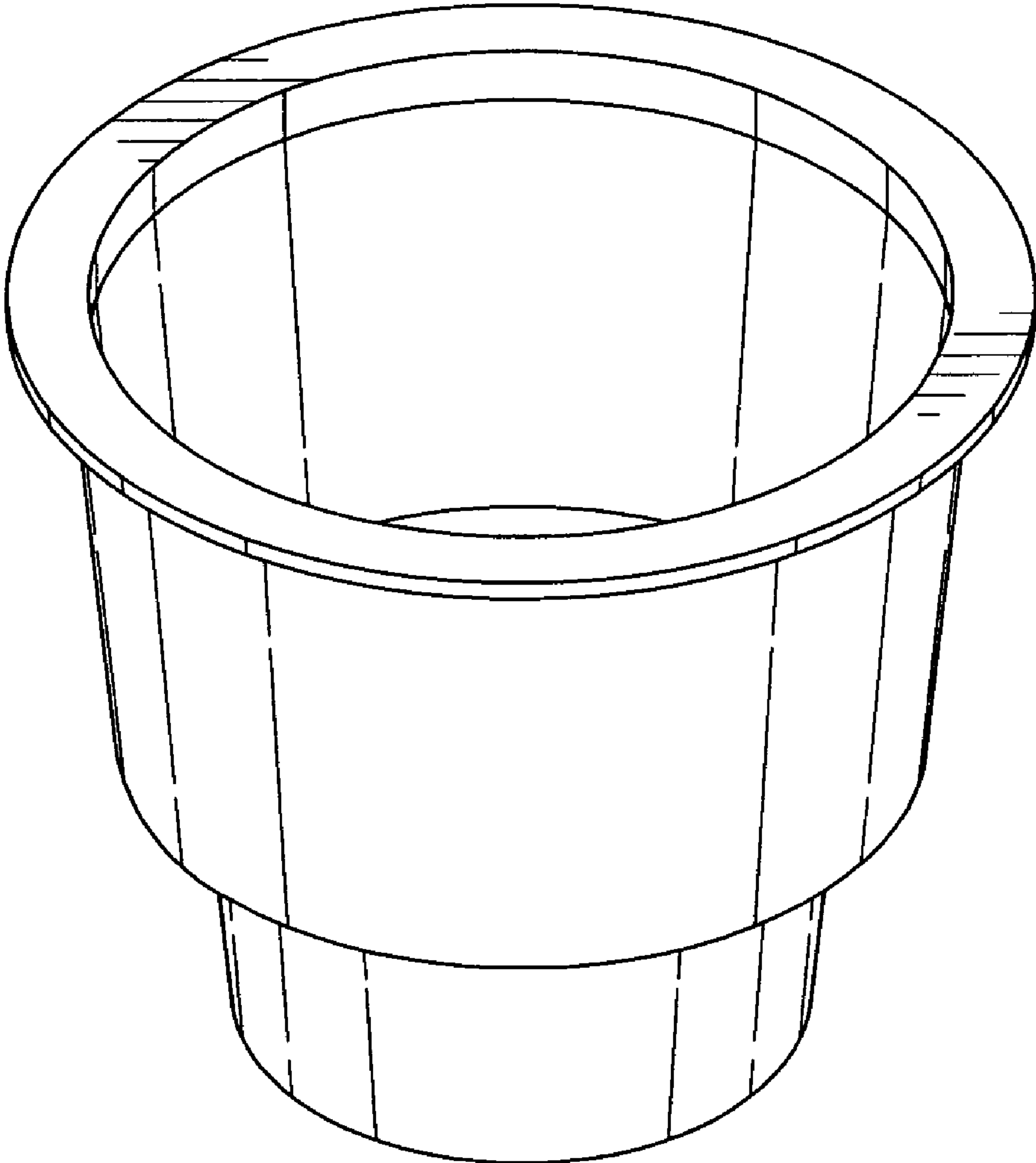


FIG. 12

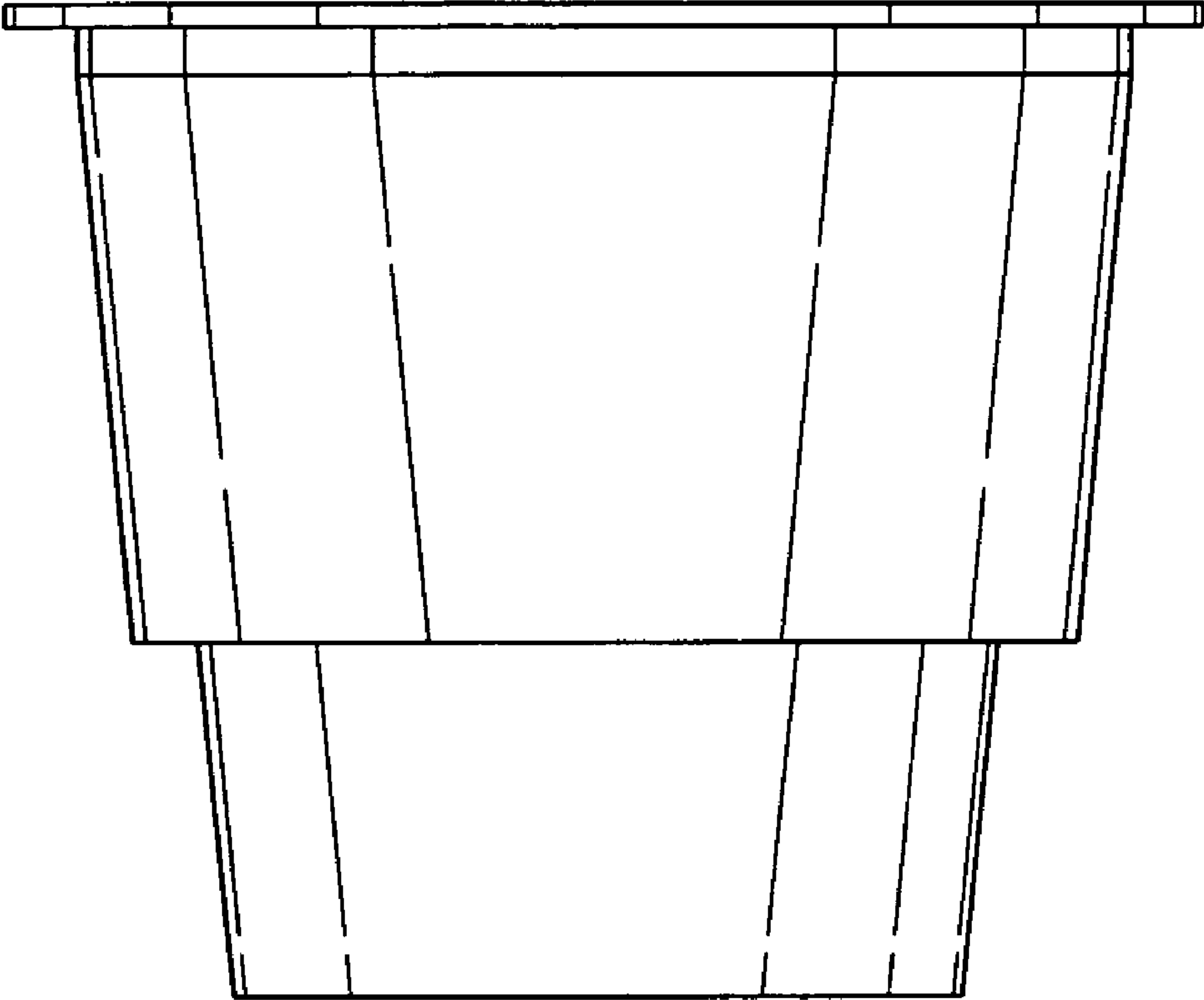


FIG. 13

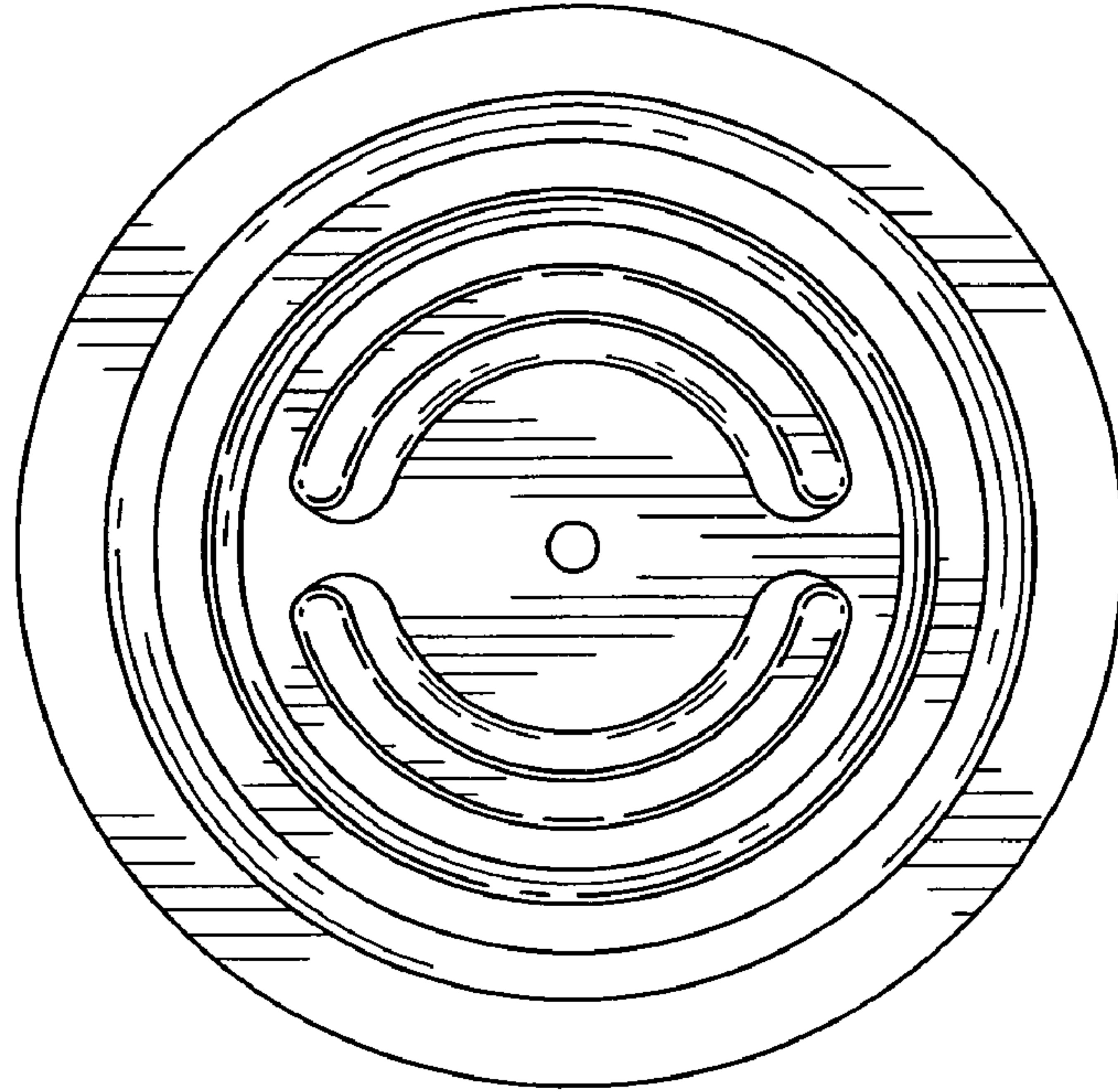


FIG. 14

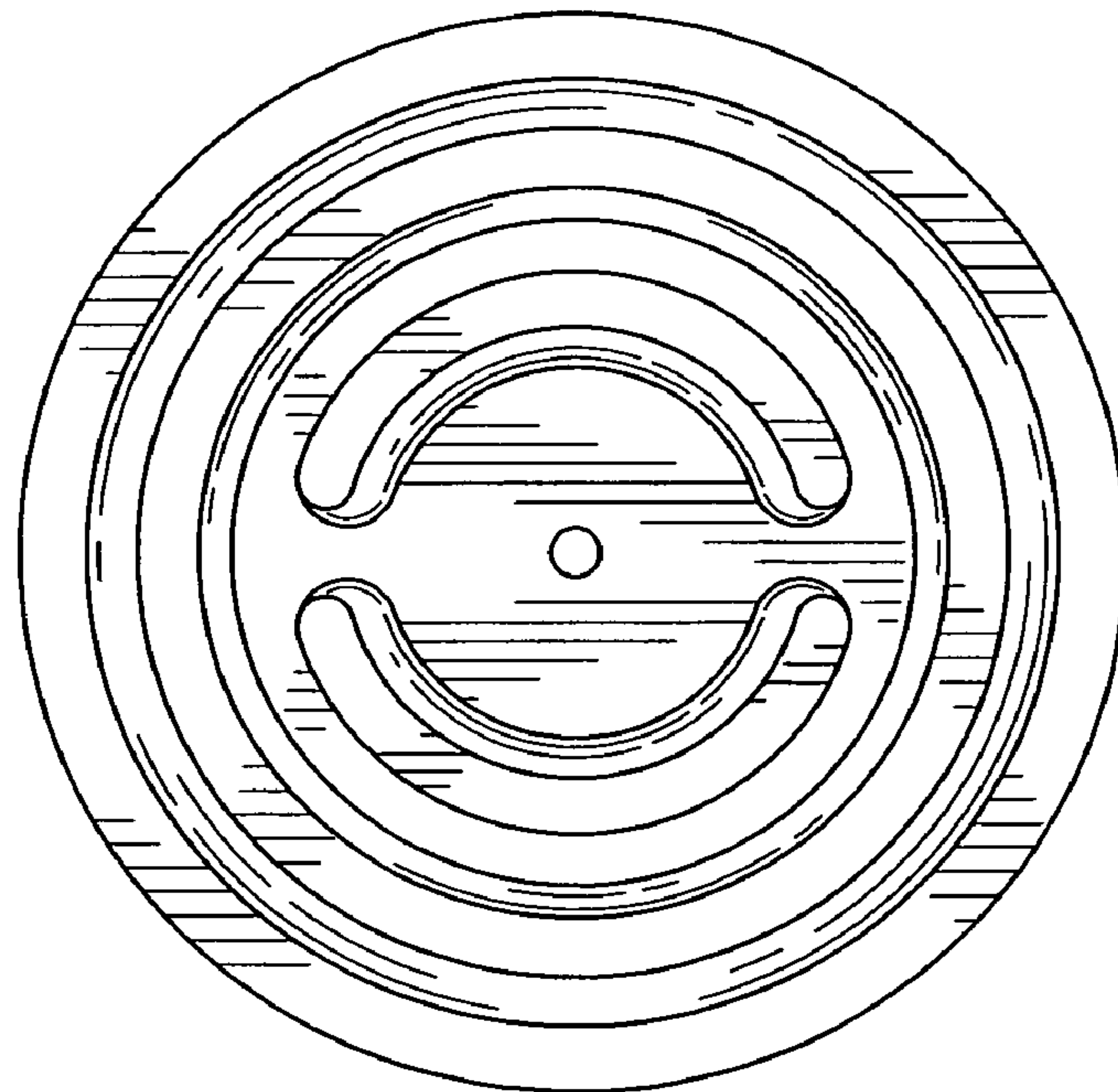


FIG. 15

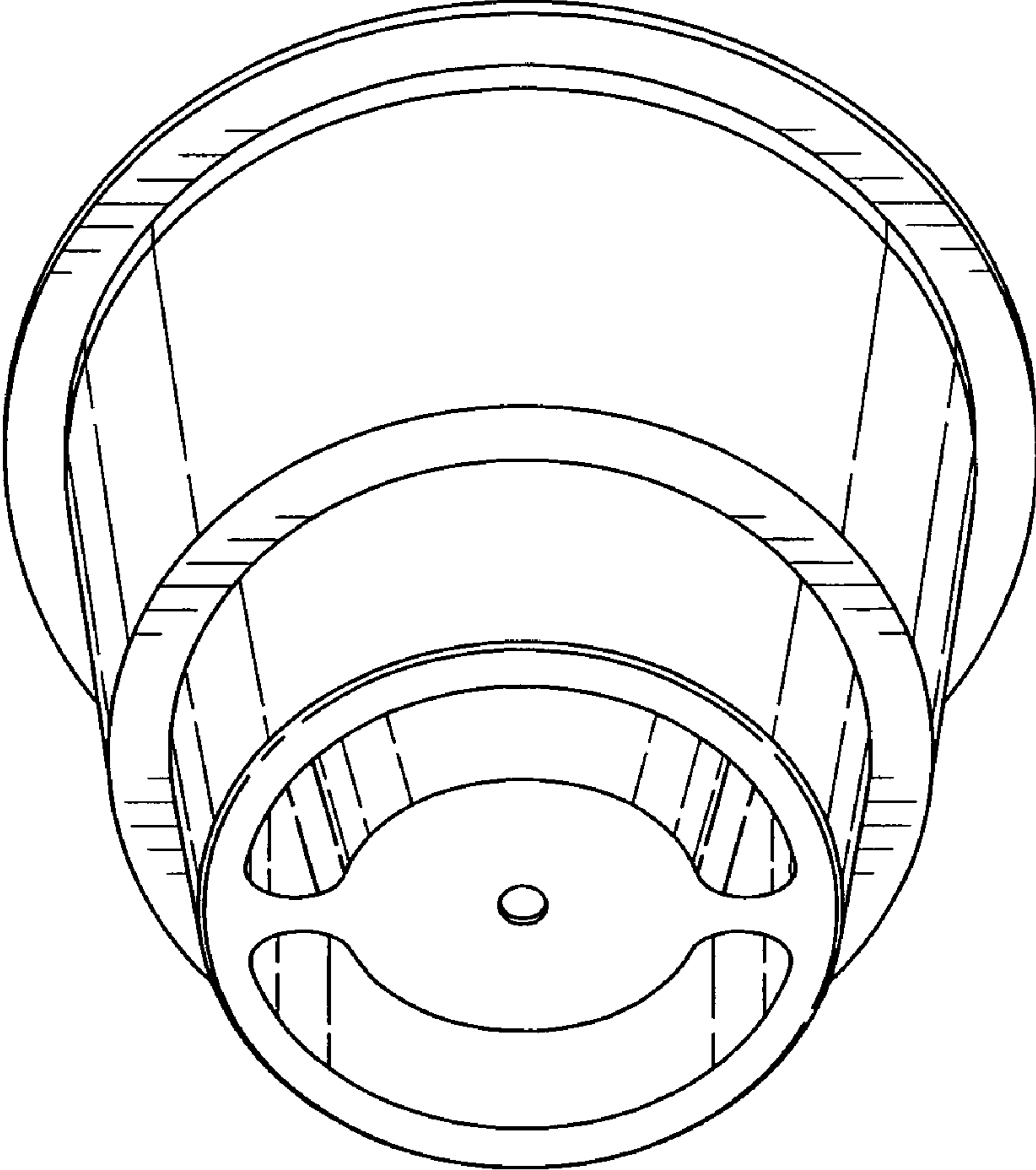


FIG. 16