



US00D645338S

(12) **United States Design Patent**
Kapur et al.

(10) **Patent No.:** **US D645,338 S**

(45) **Date of Patent:** **** Sep. 20, 2011**

(54) **SORTED DRILL BIT CASE**

(75) Inventors: **Ashwani Kapur**, Waterloo (CA);
Satnam Singh, Kitchener (CA)

(73) Assignee: **Maxtech Consumer Products Limited**,
Waterloo, ON (CA)

(**) Term: **14 Years**

(21) Appl. No.: **29/364,711**

(22) Filed: **Jun. 28, 2010**

(51) **LOC (9) Cl.** **09-01**

(52) **U.S. Cl.** **D9/415; D3/294**

(58) **Field of Classification Search** D9/414-416,
D9/418-420, 423-428, 430-432, 434, 769;
D7/354, 396.1, 392.1, 394, 538, 543-545,
D7/550.1, 551, 554.3, 587, 566, 584, 586,
D7/629, 667; 220/4.22-4.24, 574, 604-608,
220/659, 675, 781-782, 793, 835, 839, DIG. 14;
206/119, 464, 470, 508, 545, 806; 229/406;
219/725, 735; D23/355-366; D3/302, 314,
D3/201, 905, 210

See application file for complete search history.

(56) **References Cited**

U.S. PATENT DOCUMENTS

D505,068 S * 5/2005 Cunningham et al. D9/415
D539,035 S * 3/2007 Chen D3/294

D565,403 S * 4/2008 Caine et al. D9/415
D604,511 S * 11/2009 Lai D3/295
D606,392 S * 12/2009 Prevost D9/415
D613,944 S * 4/2010 Molina D3/294
D617,987 S * 6/2010 Wang D3/294

* cited by examiner

Primary Examiner — Brian N Vinson

(74) *Attorney, Agent, or Firm* — Borden Ladner Gervais
LLP; Jeffrey W. Wong

(57) **CLAIM**

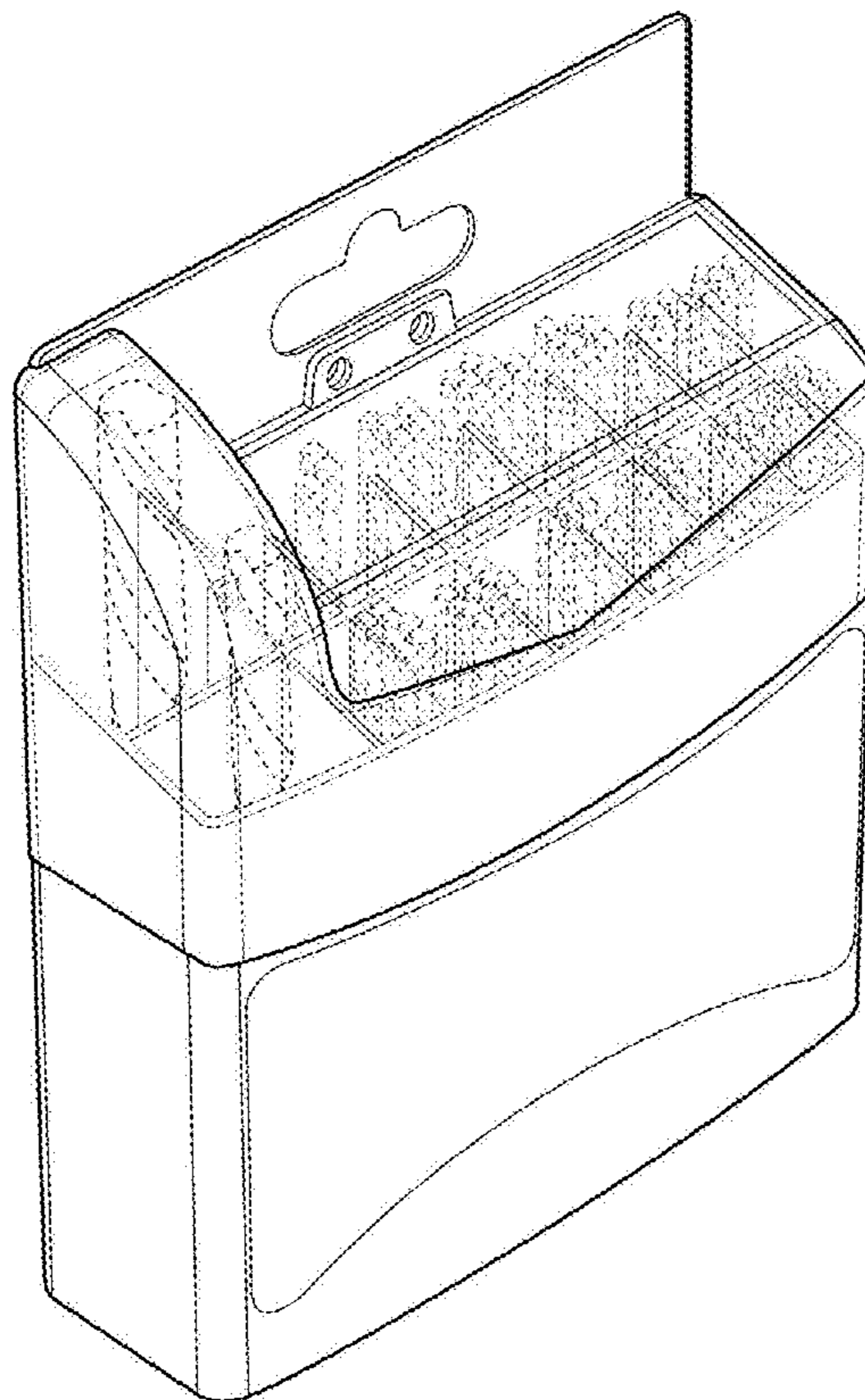
The ornamental design for a sorted drill bit case, as shown and described.

DESCRIPTION

FIG. 1 is a top, front, and left side perspective view of a sorted drill bit case showing our new design;
FIG. 2 is a top plan view thereof;
FIG. 3 is a left side elevational view thereof;
FIG. 4 is a front elevational view thereof;
FIG. 5 is a right side elevational view thereof;
FIG. 6 is a bottom plan view thereof; and,
FIG. 7 is a rear elevational thereof.

The broken-line disclosure in the views is understood to be for illustrative purposes only and forms no part of the claimed design.

1 Claim, 3 Drawing Sheets



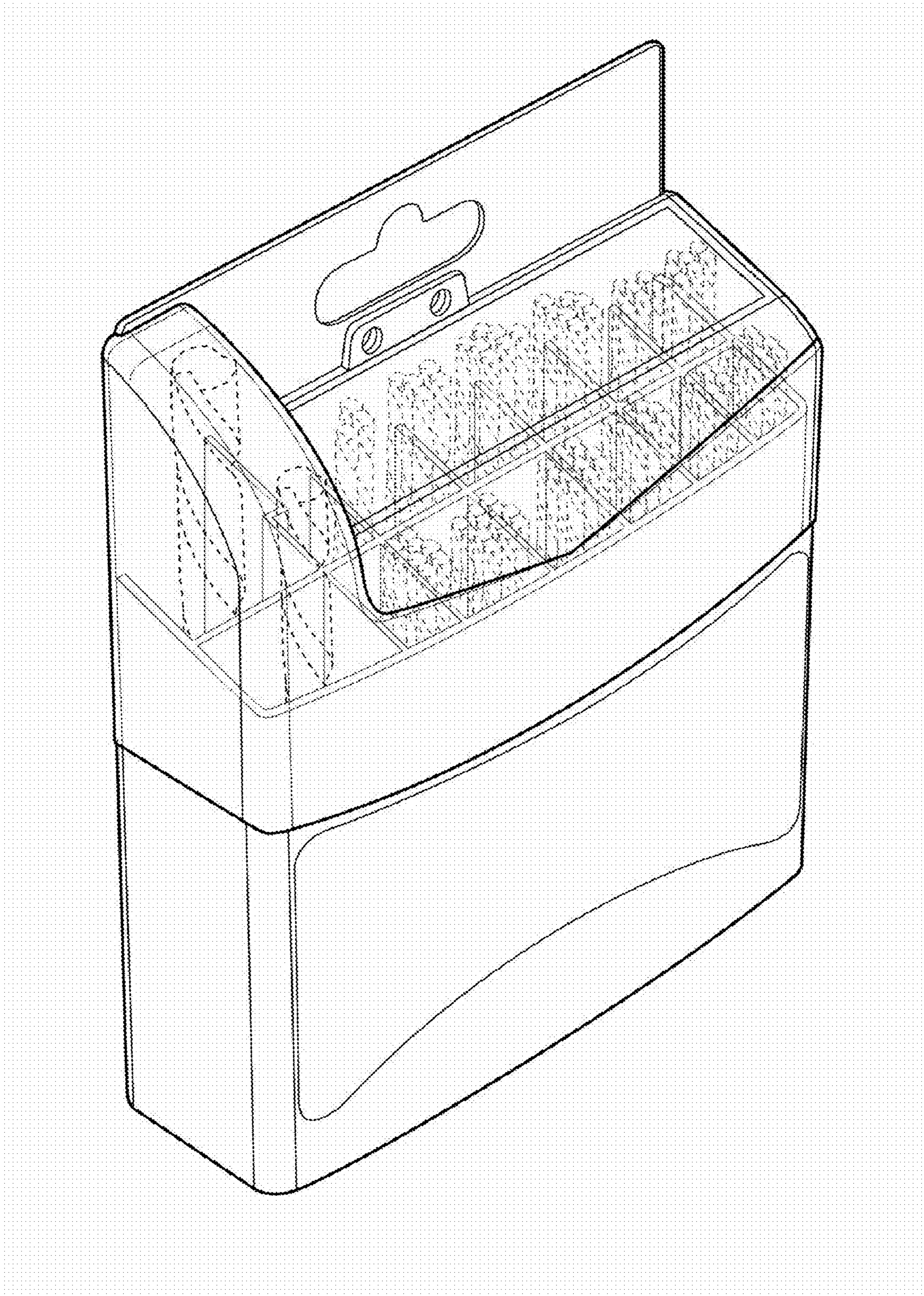


FIG. 1

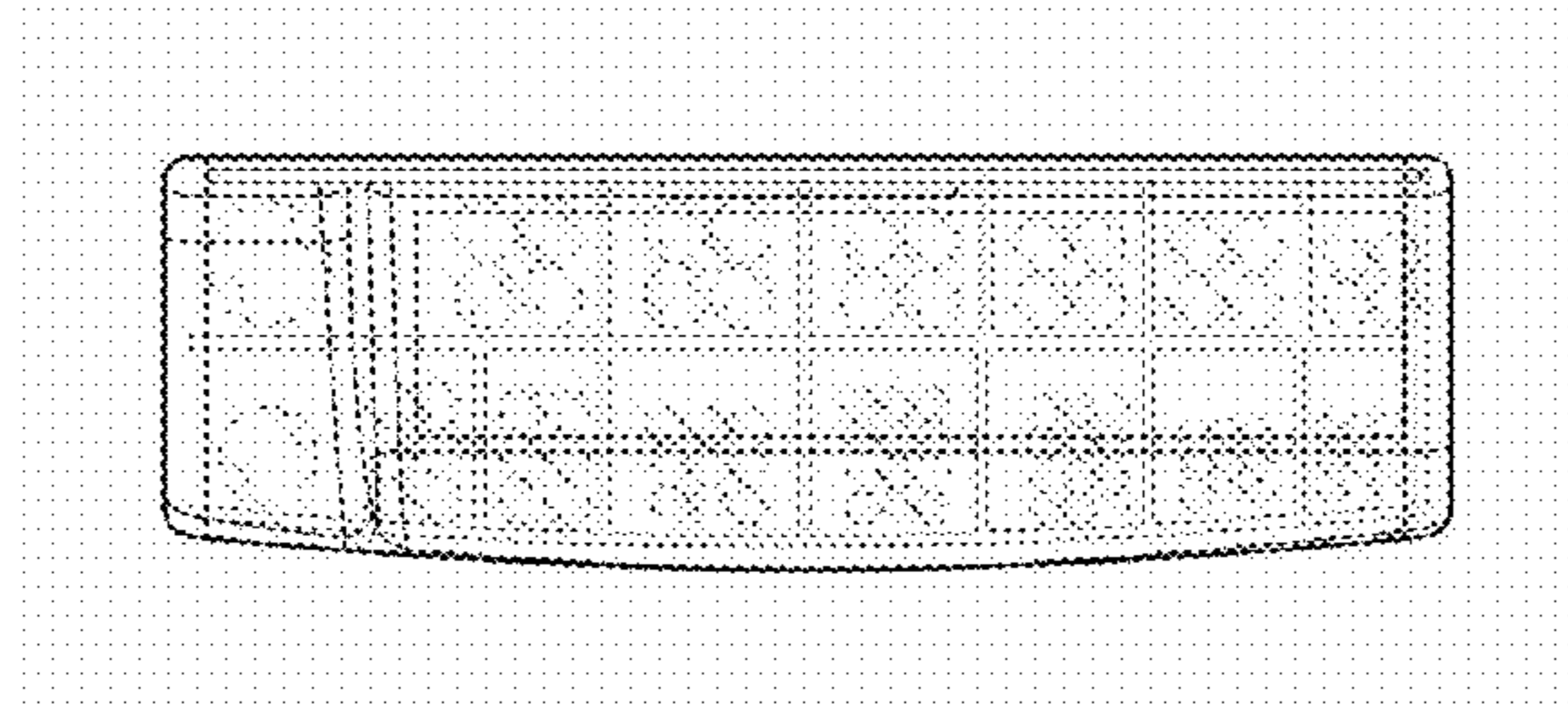


FIG. 2

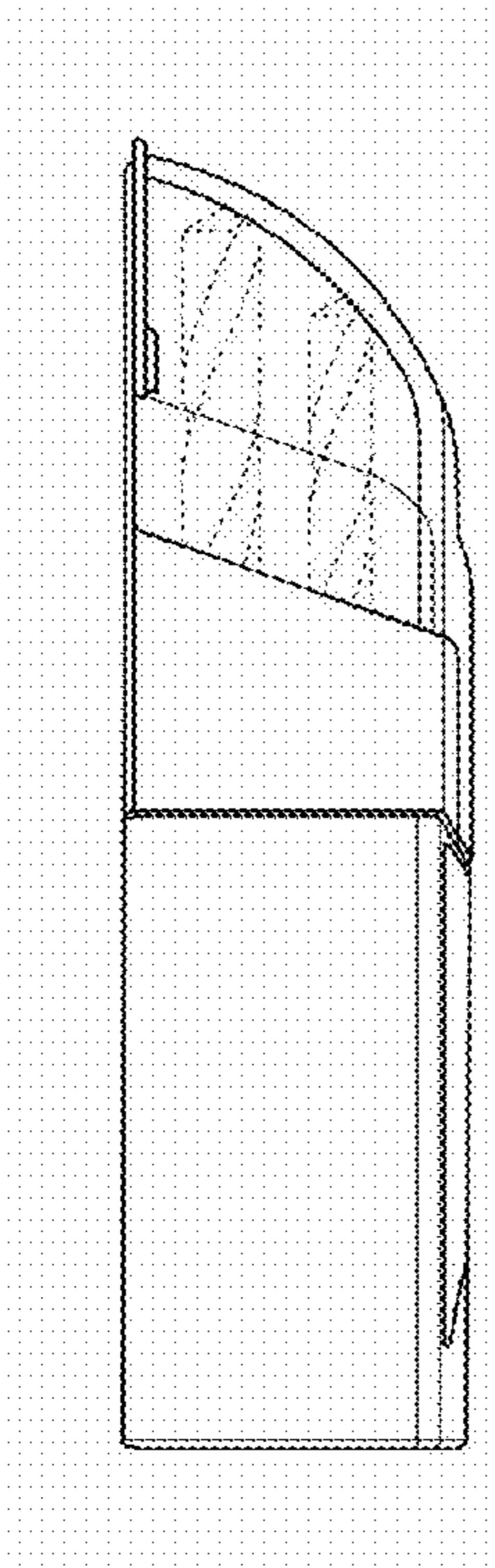


FIG. 3

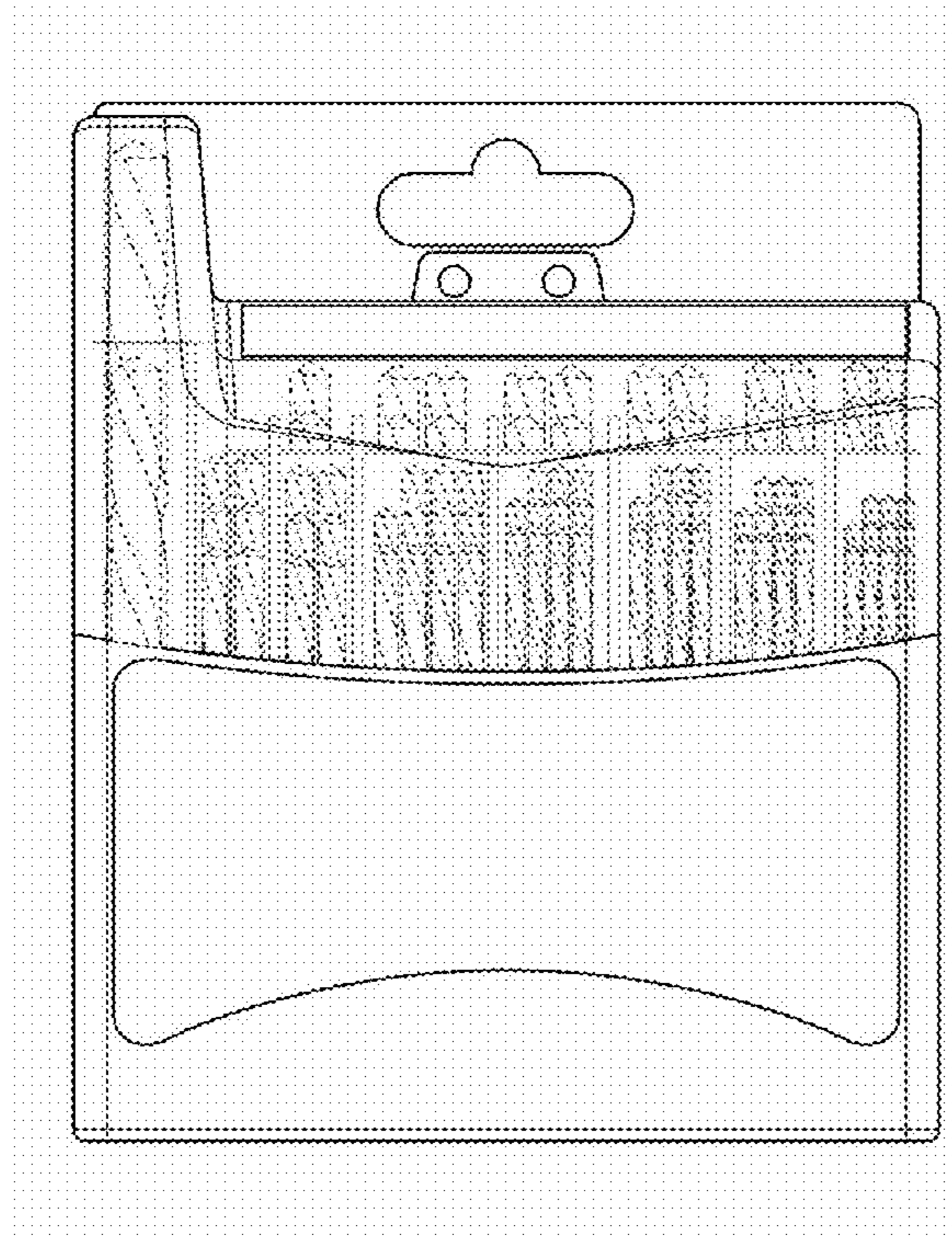


FIG. 4

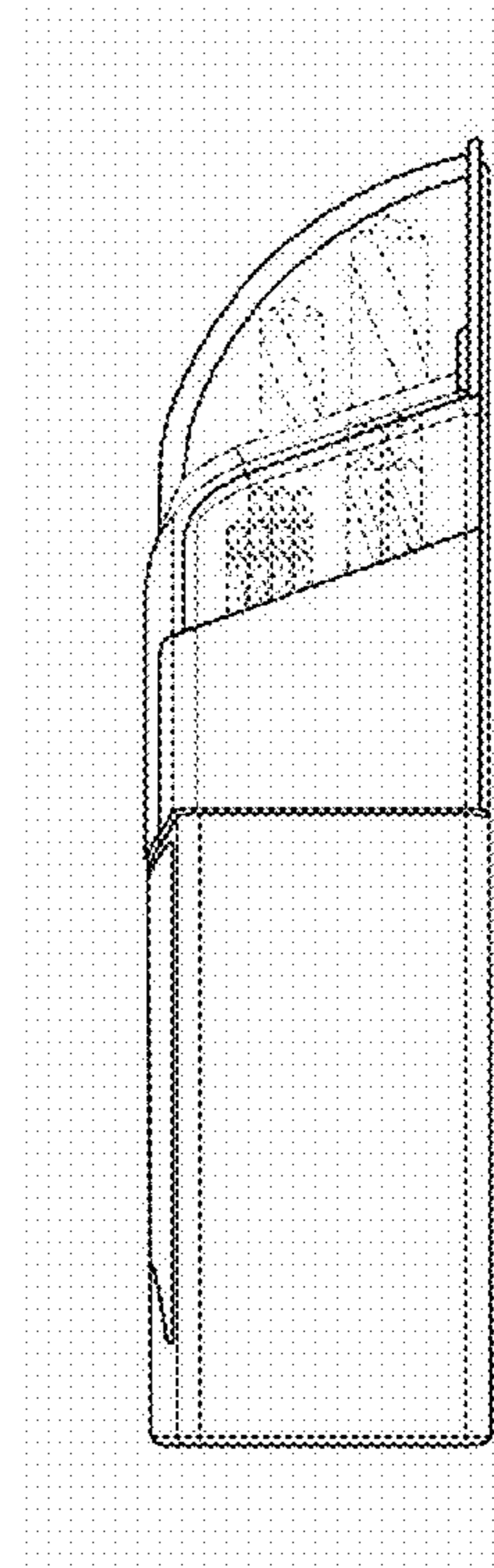


FIG. 5

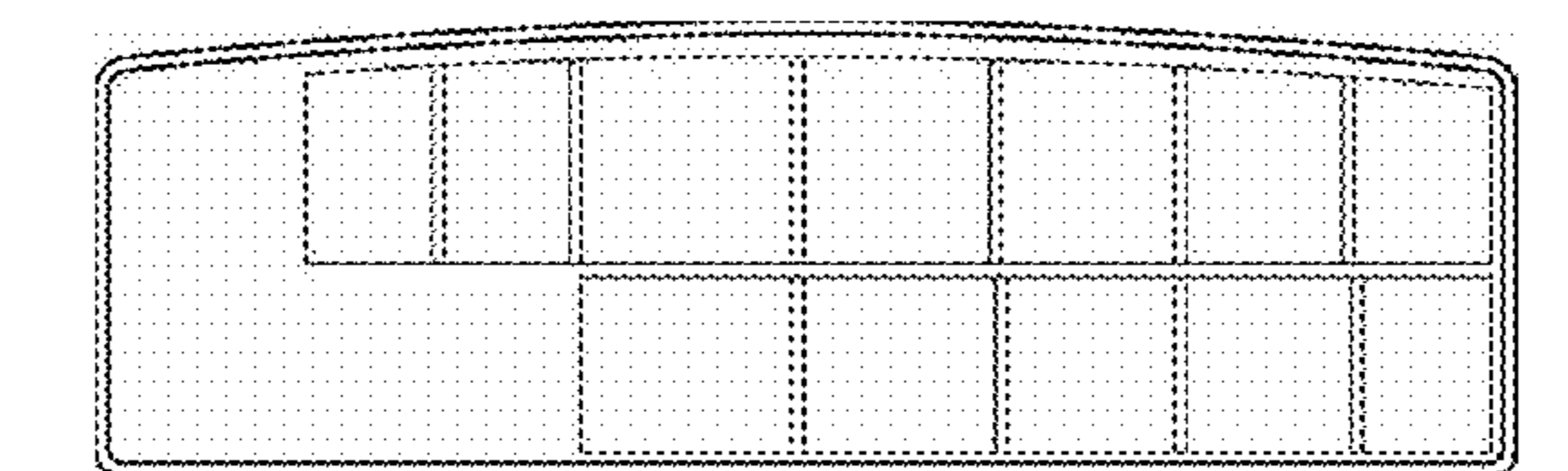


FIG. 6

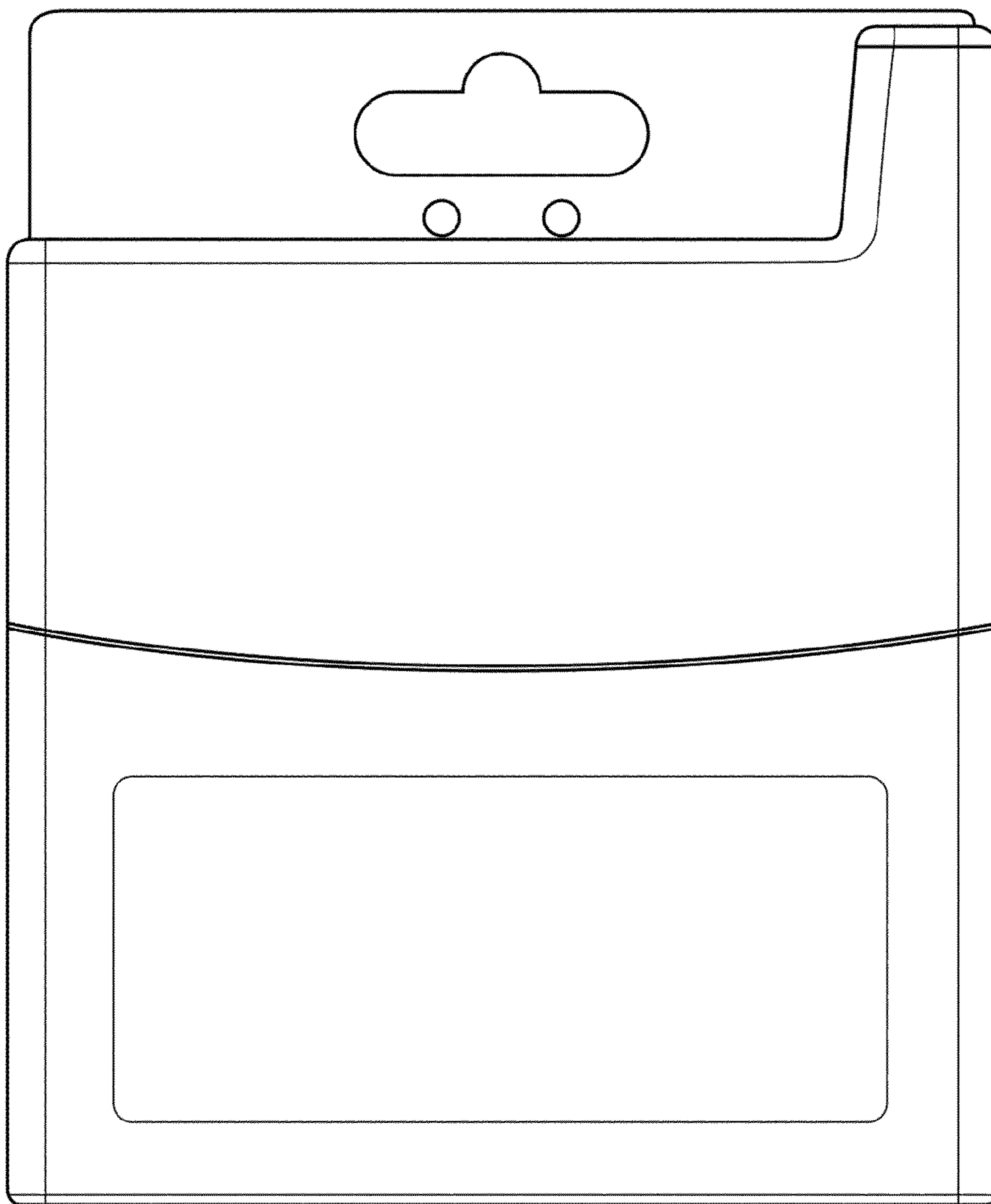


FIG. 7