



US00D645335S

(12) **United States Design Patent**
Herman

(10) **Patent No.:** **US D645,335 S**

(45) **Date of Patent:** **** Sep. 20, 2011**

(54) **WALL MOUNTED BRACKET FOR STORING
HITCH MOUNTED BIKE RACKS AND
ACCESSORIES**

Primary Examiner — Holly Baynham

(74) *Attorney, Agent, or Firm* — Renner, Otto, Boisselle & Sklar, LLP

(76) Inventor: **Kent A. Herman**, Bend, OR (US)

(**) Term: **14 Years**

(21) Appl. No.: **29/379,455**

(22) Filed: **Nov. 19, 2010**

(51) **LOC (9) Cl.** **08-05**

(52) **U.S. Cl.** **D8/363**; D8/349

(58) **Field of Classification Search** D8/349,
D8/354, 363; 248/27.1, 300

See application file for complete search history.

(56) **References Cited**

U.S. PATENT DOCUMENTS

1,431,662 A *	10/1922	Horning	248/300
D435,213 S *	12/2000	Erwin	D8/363
D445,019 S *	7/2001	Vitetta	D8/366
D628,539 S *	12/2010	Tezak et al.	D13/152

* cited by examiner

(57) **CLAIM**

The ornamental design for a wall mounted bracket for storing hitch mounted bike racks and accessories, as shown and described.

DESCRIPTION

FIG. 1 is a perspective view of a wall mounted bracket showing my new design.

FIG. 2 is a side elevation view of one side thereof, the opposite side being a mirror image.

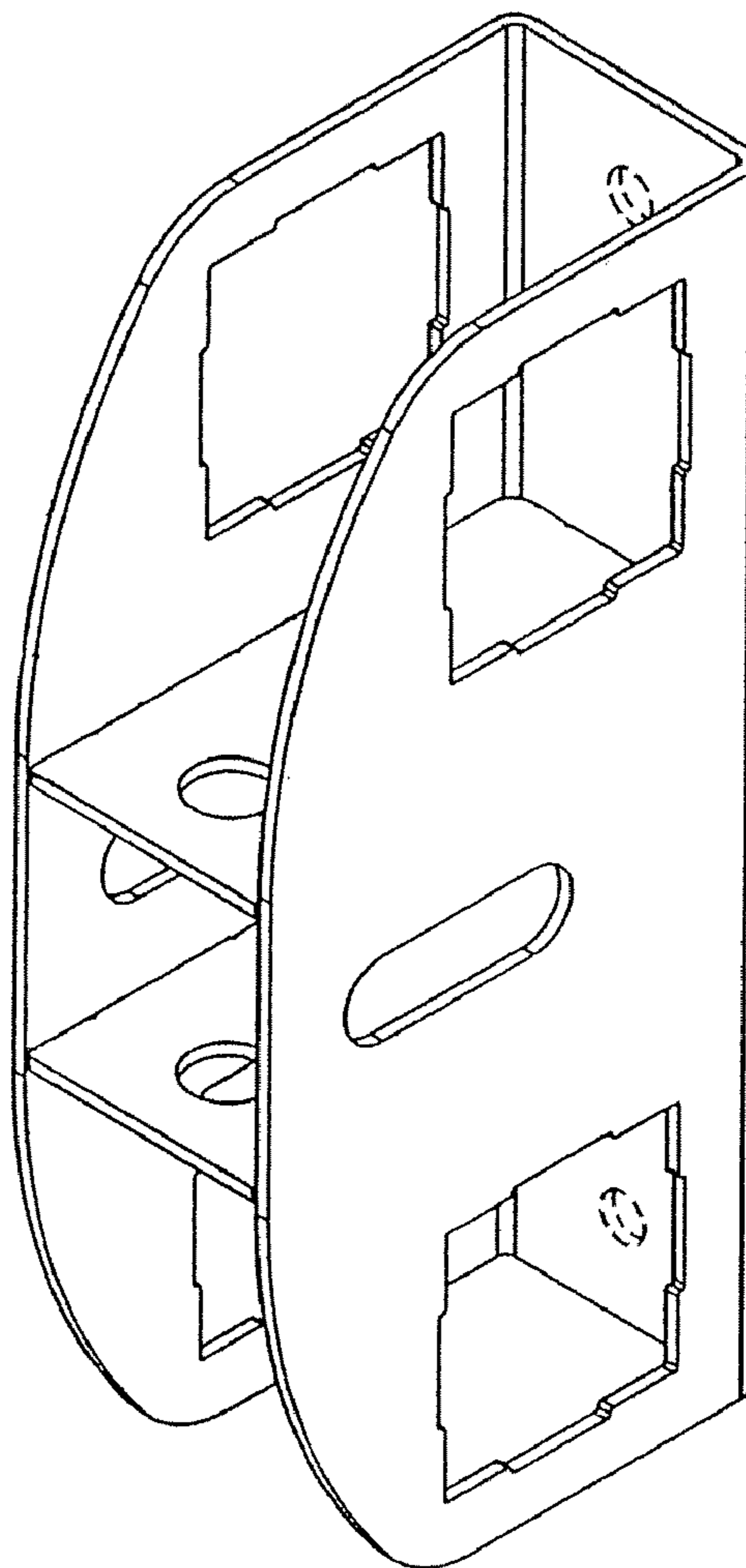
FIG. 3 is a front view thereof.

FIG. 4 is a top view thereof, the bottom view being a mirror image; and,

FIG. 5 is a back view thereof.

The broken lines showing openings are for the purposes of illustrating environment and form no part of the claimed design.

1 Claim, 1 Drawing Sheet



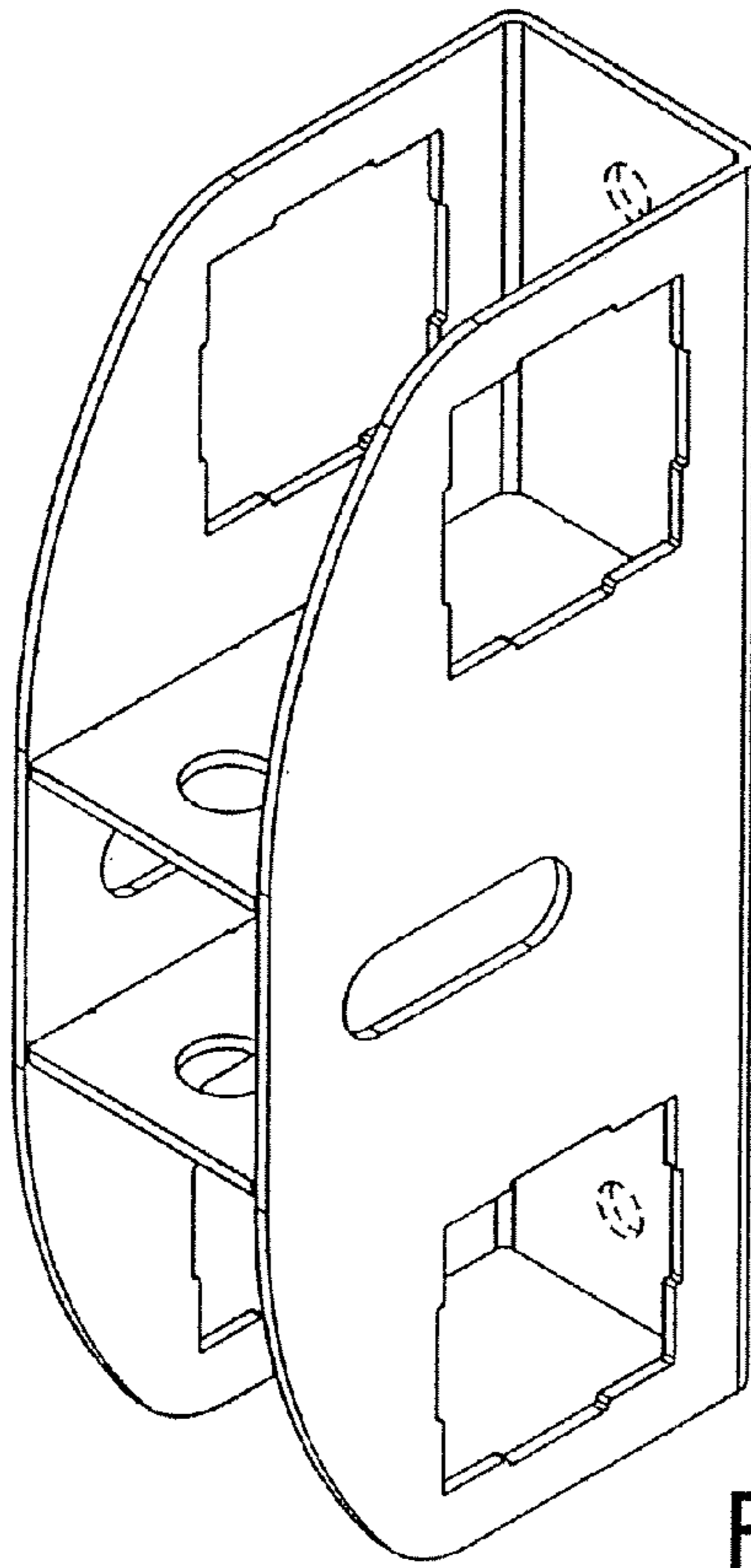


FIG. 1

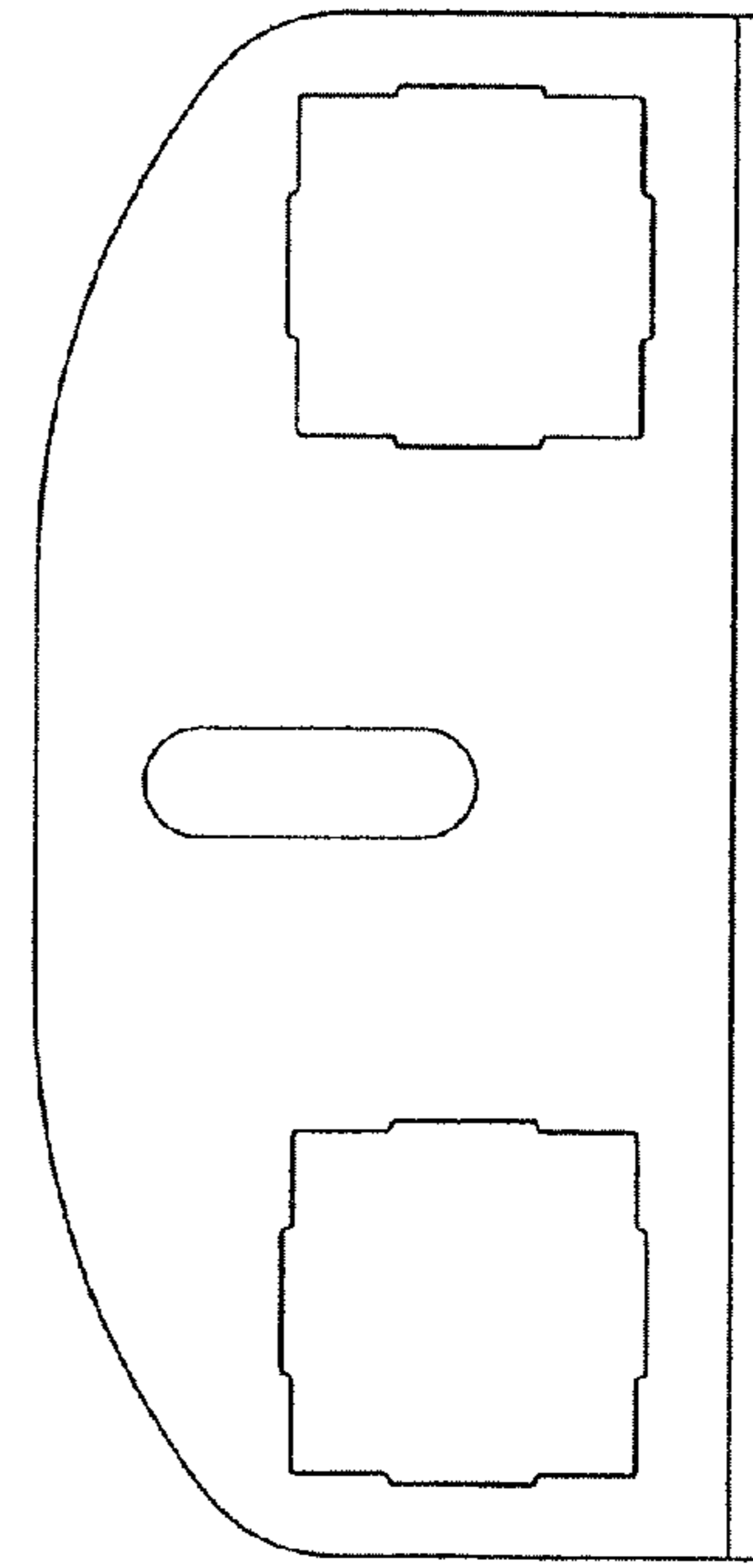


FIG. 2

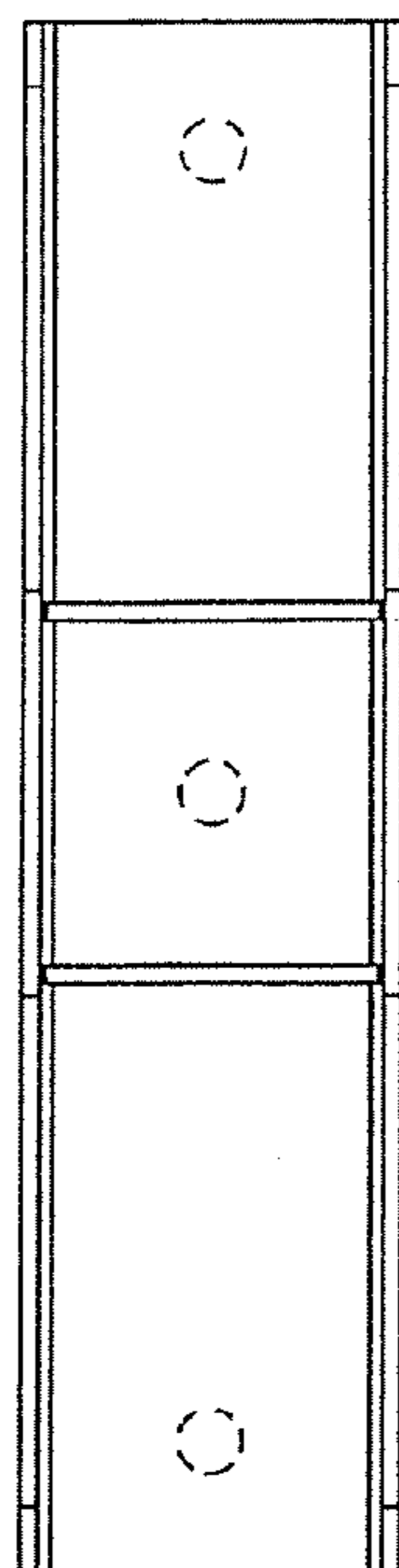


FIG. 3

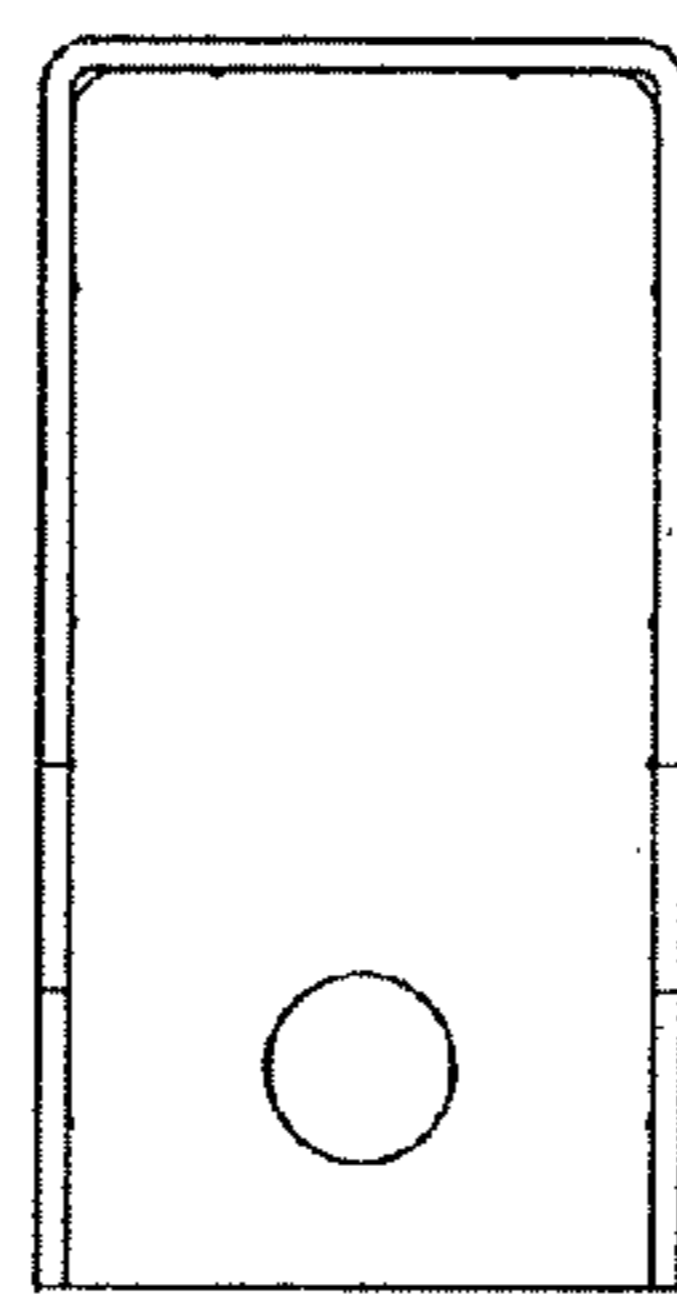


FIG. 4

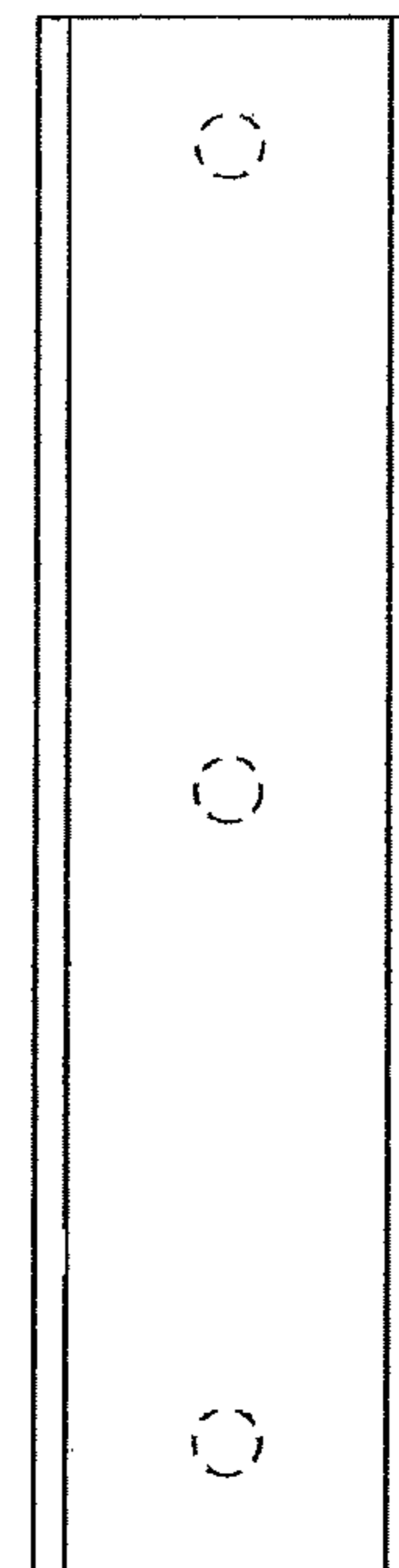


FIG. 5