

US00D645333S

(12) **United States Design Patent**  
**Rothbaum et al.**

(10) **Patent No.:** **US D645,333 S**

(45) **Date of Patent:** **\*\* Sep. 20, 2011**

(54) **STRAP FOR A CORD MANAGEMENT SYSTEM**

(75) Inventors: **Wayne Rothbaum**, New York, NY (US);  
**Allison S. Conner**, Brooklyn, NY (US);  
**Robert B. Curtis**, New York, NY (US);  
**Jonas K. Damon**, New York, NY (US);  
**Daniel A. Sanchez**, Brooklyn, NY (US)

(73) Assignee: **CJD LLC**, New York, NY (US)

(\*\*) Term: **14 Years**

(21) Appl. No.: **29/388,372**

(22) Filed: **Mar. 28, 2011**

**Related U.S. Application Data**

(63) Continuation of application No. 29/368,746, filed on Aug. 27, 2010, now Pat. No. Des. 636,659.

(51) **LOC (9) Cl.** ..... **08-05**

(52) **U.S. Cl.** ..... **D8/356**

(58) **Field of Classification Search** ..... D8/356,  
D8/354, 349; 220/575; 206/521.15; 24/302,  
24/16 R, 306; 439/501; D2/978, 946; D30/139;  
381/374

See application file for complete search history.

(56) **References Cited**

**U.S. PATENT DOCUMENTS**

1,722,498 A 7/1929 Fridolph  
D206,401 S 12/1966 Fisher et al. .... D54/1  
D224,960 S 10/1972 Wilson ..... D9/6

(Continued)

**FOREIGN PATENT DOCUMENTS**

JP 2006-222712 A 8/2006

**OTHER PUBLICATIONS**

*Headphone Cable Tidy—Pack of 3—Accessories for PDA, Smartphone.* . . . , [www.proporta.com/F02/PPF02P05.php?t\\_id=4452&t\\_mode=des...](http://www.proporta.com/F02/PPF02P05.php?t_id=4452&t_mode=des...) printed Jun. 7, 2010, 2 pages.

(Continued)

*Primary Examiner* — Cynthia Underwood

(74) *Attorney, Agent, or Firm* — Morgan, Lewis & Bockius LLP

(57) **CLAIM**

The ornamental design for a strap for a cord management system, as shown and described.

**DESCRIPTION**

The present application relates to:

U.S. utility patent application Ser. No. 12/761,326 filed Apr. 15, 2010, entitled Cord Management System;

U.S. design patent application Ser. No. 29/368,755 filed Aug. 27, 2010, entitled Strap for a Cord Management System; and to

U.S. design patent application Ser. No. 29/368,754 filed Aug. 27, 2010, entitled Disc for a Cord Management System.

FIG. 1 is a perspective view of our new design of a strap for a cord management system;

FIG. 2 is a top view of the design of FIG. 1;

FIG. 3 is a bottom view of the design of FIG. 1;

FIG. 4 is a view of a first side of the design of FIG. 1;

FIG. 5 is a view of a second side of the design of FIG. 1;

FIG. 6 is a view of a third side of the design of FIG. 1;

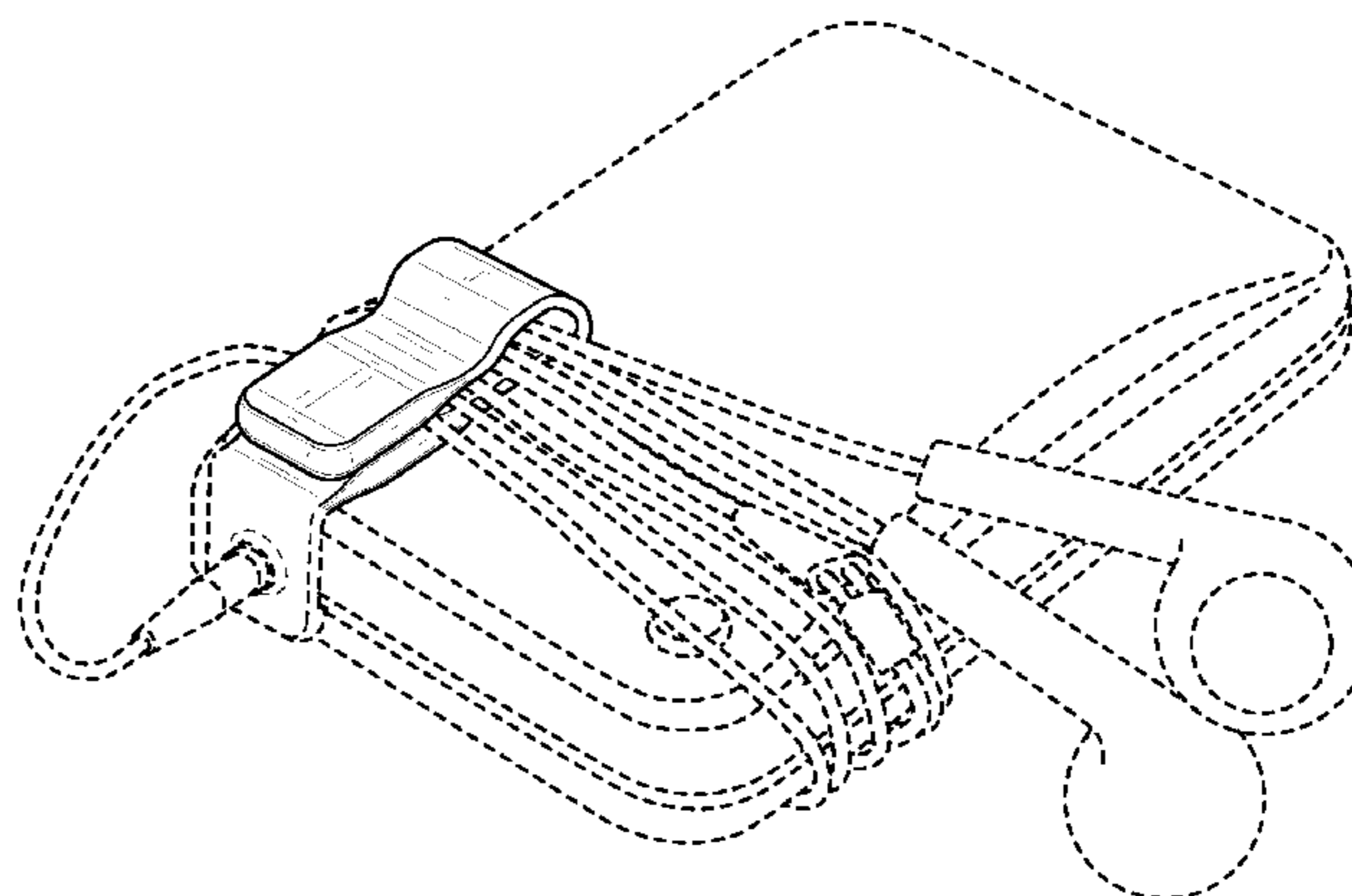
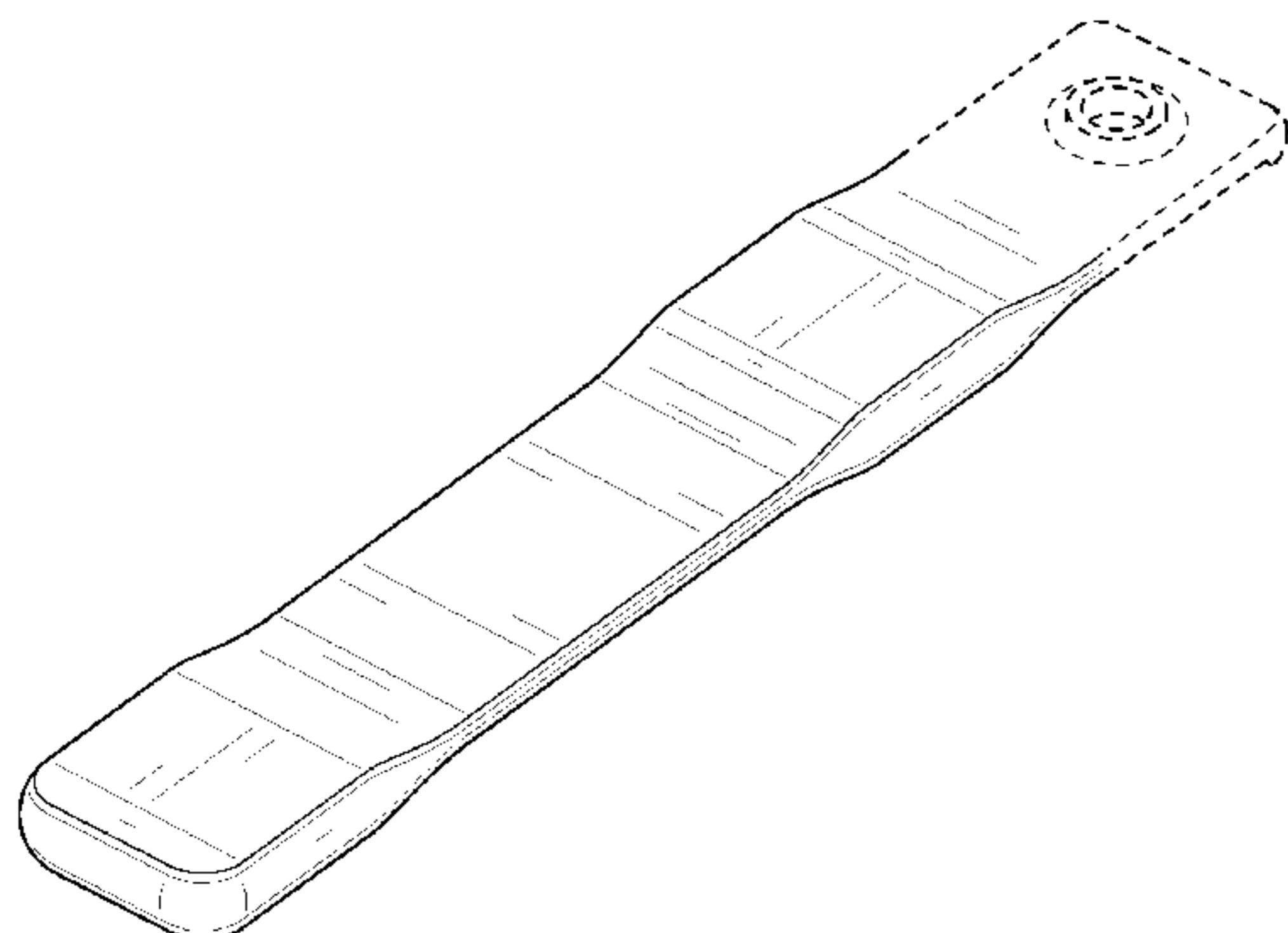
FIG. 7 is a view of a fourth side of the design of FIG. 1;

FIG. 8 is another perspective view of the design of FIG. 1, the perspective view illustrating the embodiment when used in conjunction with an object; and,

FIG. 9 is another perspective view of the embodiment of FIG. 1, the perspective view illustrating the embodiment when used in conjunction with an object.

The broken lines showing elements of the strap for a cord management system in the above described figures are for illustrative purposes only and form no part of the claimed design.

**1 Claim, 6 Drawing Sheets**



# US D645,333 S

Page 2

## U.S. PATENT DOCUMENTS

3,994,048	A	11/1976	Rosenthal	24/81	SK	7,096,544	B2	8/2006	Lusardi	24/306
4,815,172	A	3/1989	Ward	24/16	R	D567,630	S	4/2008	Brassard	D8/349
4,940,427	A	7/1990	Pearson	439/501		D567,631	S	4/2008	Brassard	D8/349
5,048,158	A	9/1991	Koerner	24/16	R	7,516,591	B2	4/2009	Wolner et al.	52/698
5,130,899	A	7/1992	Larkin et al.	362/32		D599,196	S	9/2009	Ruffin et al.	D8/356
5,142,743	A	9/1992	Hahn	24/16	R	D613,137	S	4/2010	Wieberdink et al.	D8/14
5,168,603	A	12/1992	Reed	24/16	R	7,712,696	B2	5/2010	Loh	242/360
D357,739	S	4/1995	Stewart et al.	D24/176		2002/0073516	A1	6/2002	Behar	24/306
5,402,971	A	4/1995	Bower	248/74.3		2002/0112323	A1	8/2002	Nire	24/303
5,572,773	A	11/1996	Bauer	24/303		2003/0167605	A1	9/2003	Schultz	24/306
5,584,452	A	12/1996	Koike	248/74.3		2005/0016760	A1	1/2005	Vasichek	174/135
5,604,961	A	2/1997	Cole	24/306		2005/0025329	A1	2/2005	Lee	381/370
5,682,653	A	11/1997	Berglöf et al.	24/303		2006/0008106	A1	1/2006	Harper	381/374
5,802,676	A	9/1998	Tolan	24/16	R	2006/0186150	A1	8/2006	Willows et al.	224/222
D401,137	S	11/1998	Boelling	D8/394		2007/0152008	A1	7/2007	Case	224/666
6,044,525	A	4/2000	Sastre et al.	24/20	R	2008/0041897	A1	2/2008	Malhotra	224/199
6,344,021	B1	2/2002	Juster et al.	600/15		2008/0149679	A1	6/2008	Case et al.	224/666
6,427,290	B1	8/2002	Liu	24/16	R	2009/0013504	A1	1/2009	Crespo	24/306
6,467,132	B1	10/2002	Robley	24/16	PB					
6,490,767	B2	12/2002	Haiduk	24/298						
6,499,199	B2	12/2002	Frazier	24/306						
6,581,885	B2	6/2003	Polad	248/74.3						
6,588,074	B2	7/2003	Galkiewicz et al.	24/586.1						
6,701,580	B1	3/2004	Bandyopadhyay	24/16	R					
D488,374	S	4/2004	Hussaini et al.	D8/396						
6,763,554	B1	7/2004	Torrey et al.	24/30.5	P					
6,880,270	B2	4/2005	Prather	36/50.1						

## OTHER PUBLICATIONS

International Search Report and Written Opinion, PCT/US2009/067927, Jul. 14, 2010, 8 pages.

*Sumajin SmartWrap Earphone Cord Manager*, [www.ilounge.com/index.php/reviews/entry/sumajin-smartwrap...](http://www.ilounge.com/index.php/reviews/entry/sumajin-smartwrap...), printed Jun. 7, 2010, 3 pages.

*Use Magnetic Paper Clips to Keep Cords from Tangling*, [www.geeksugar.com/Use-Magnetic-Paper-Clips-Keep-Cords-From-Tangling](http://www.geeksugar.com/Use-Magnetic-Paper-Clips-Keep-Cords-From-Tangling), printed Jun. 7, 2010, 5 pages.

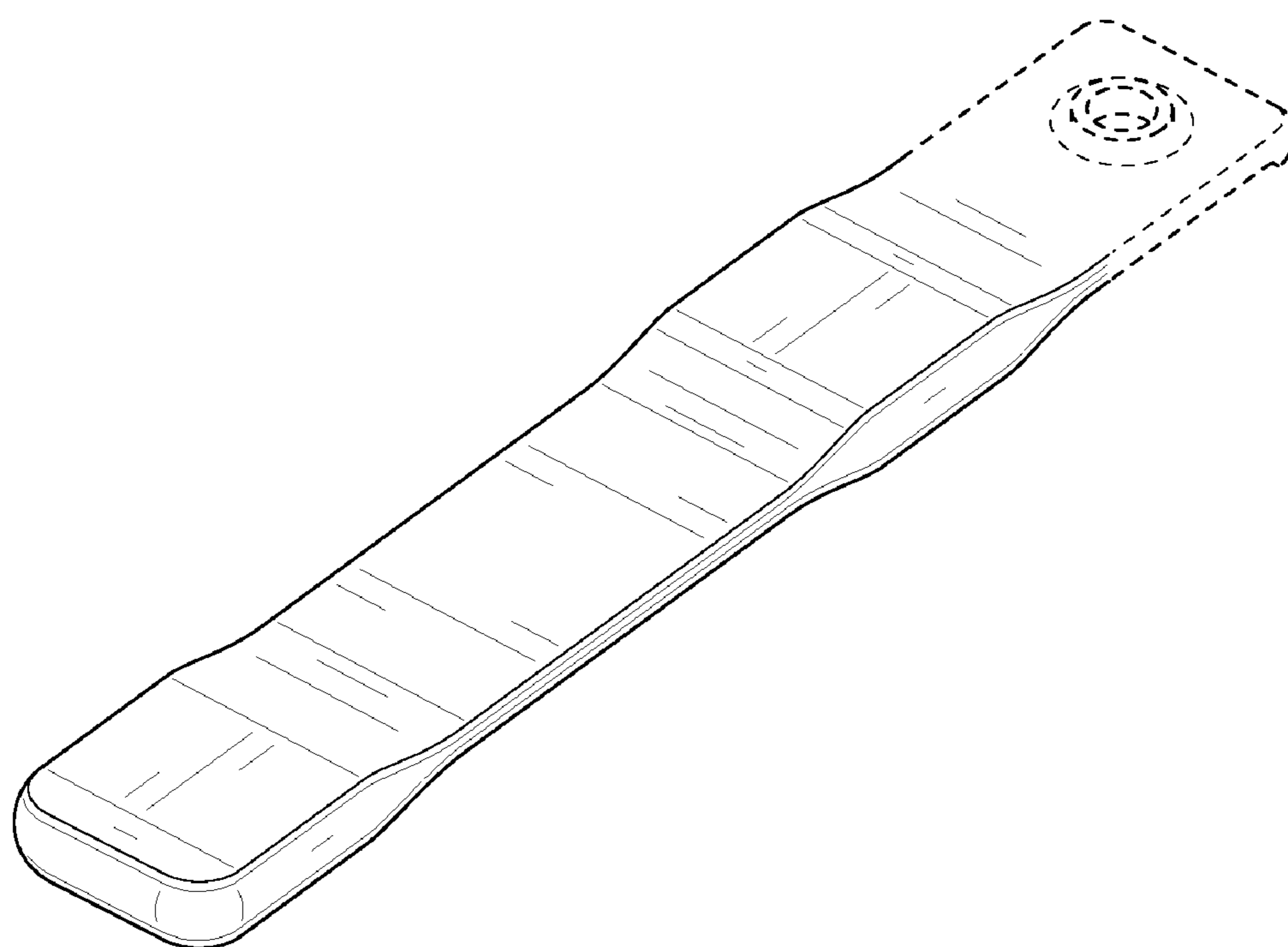


FIG. 1

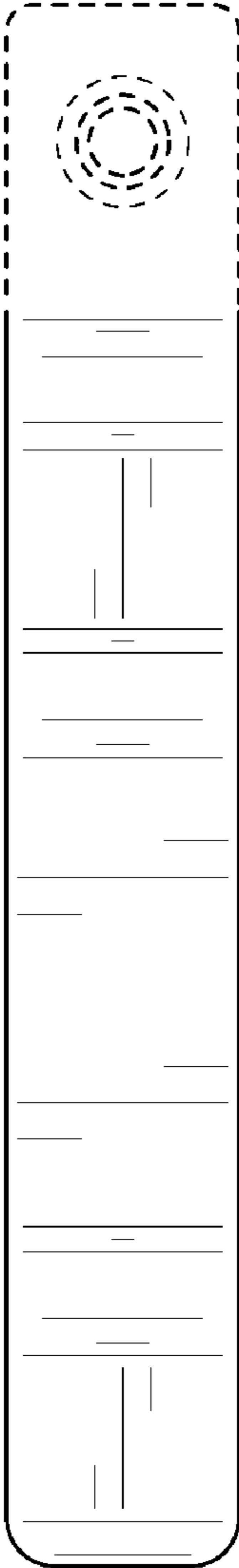


FIG. 2

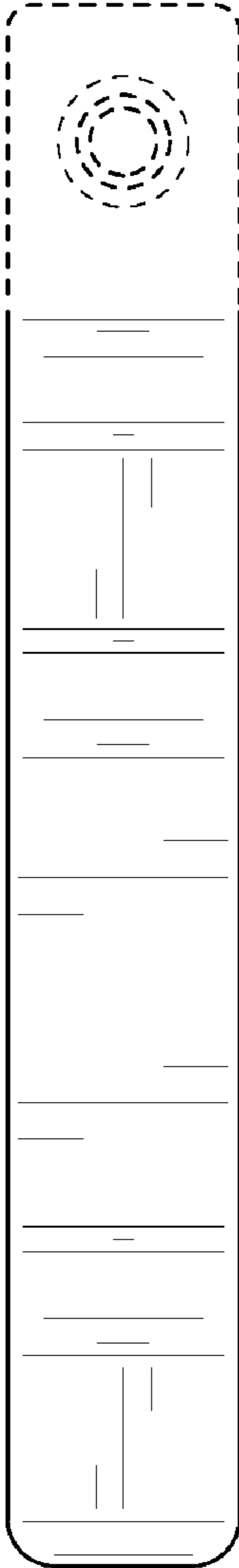


FIG. 3

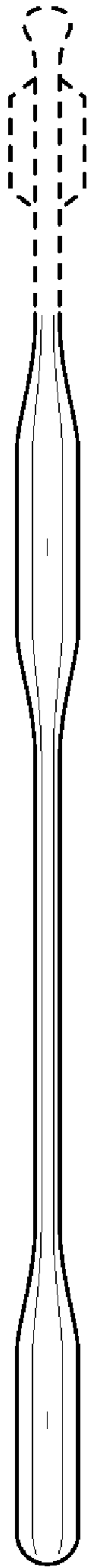


FIG. 4

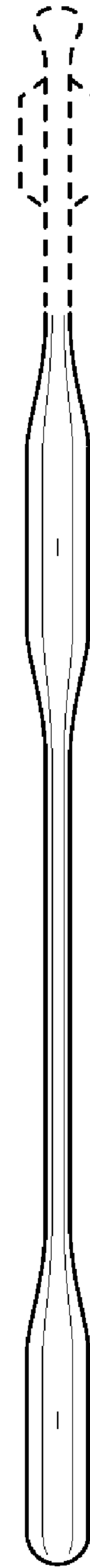


FIG. 5

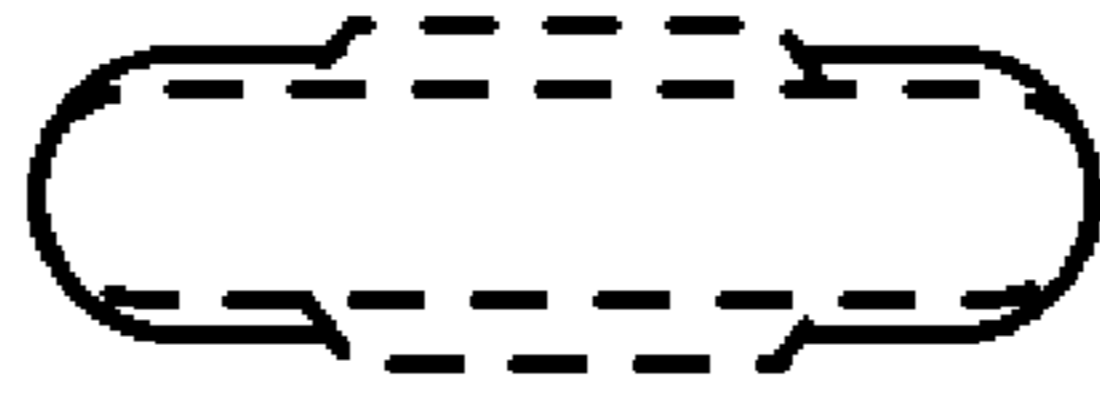


FIG. 6

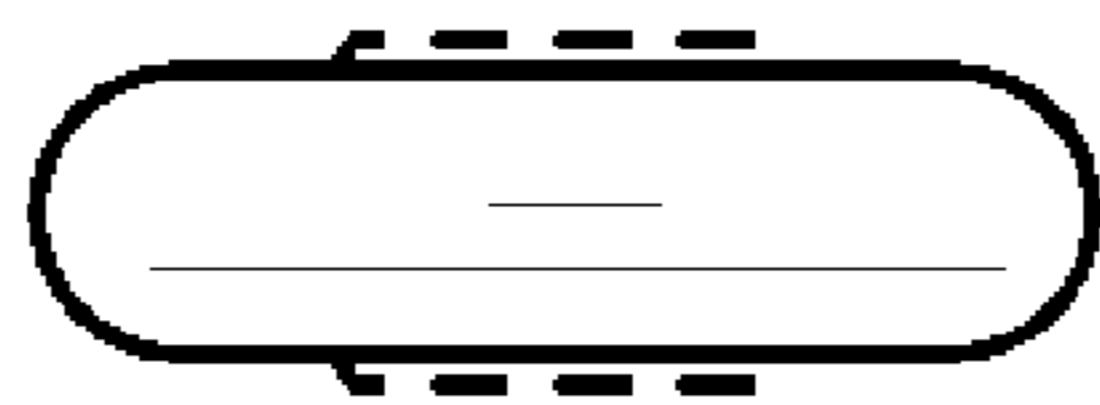


FIG. 7

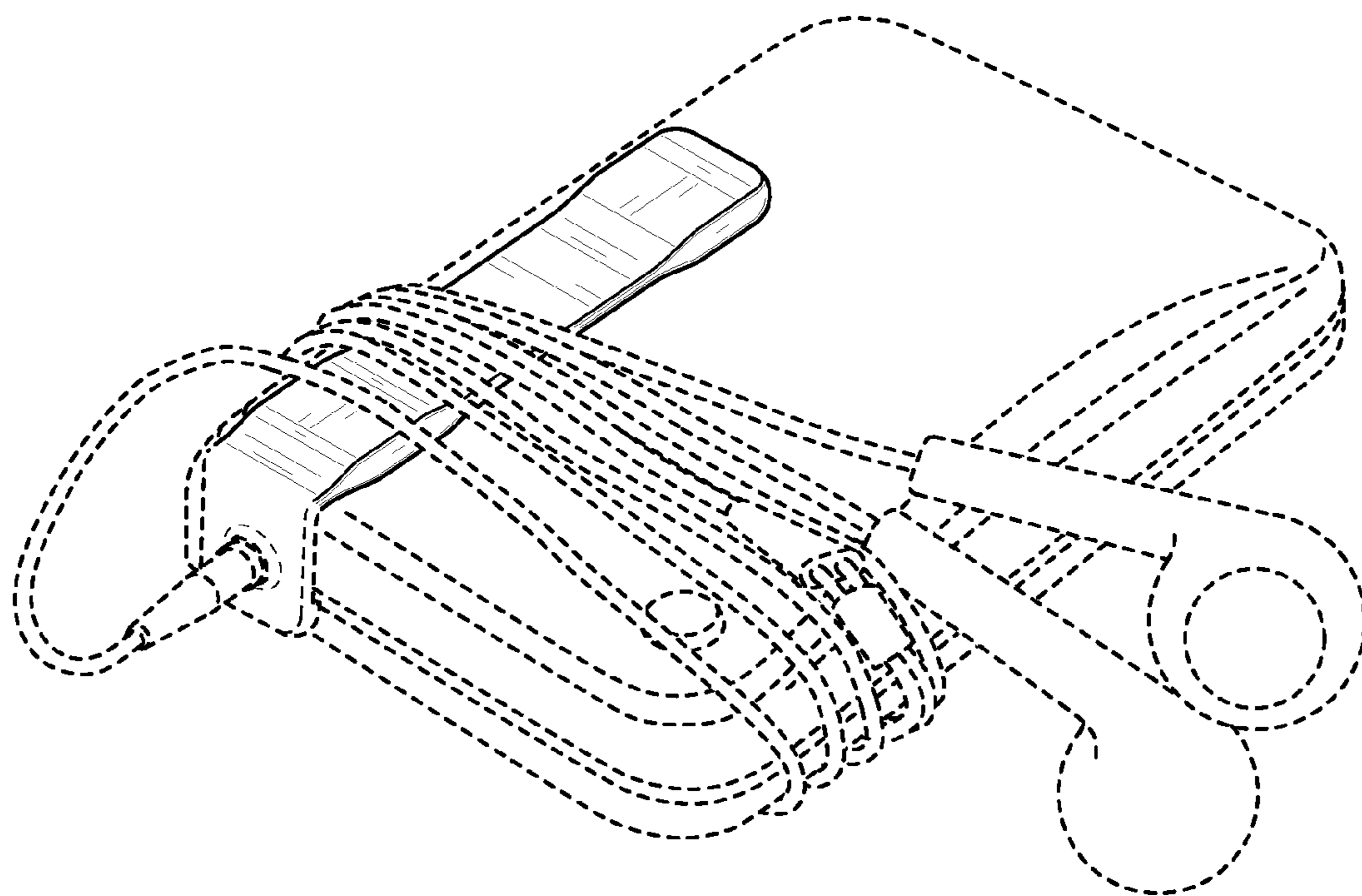


FIG. 8

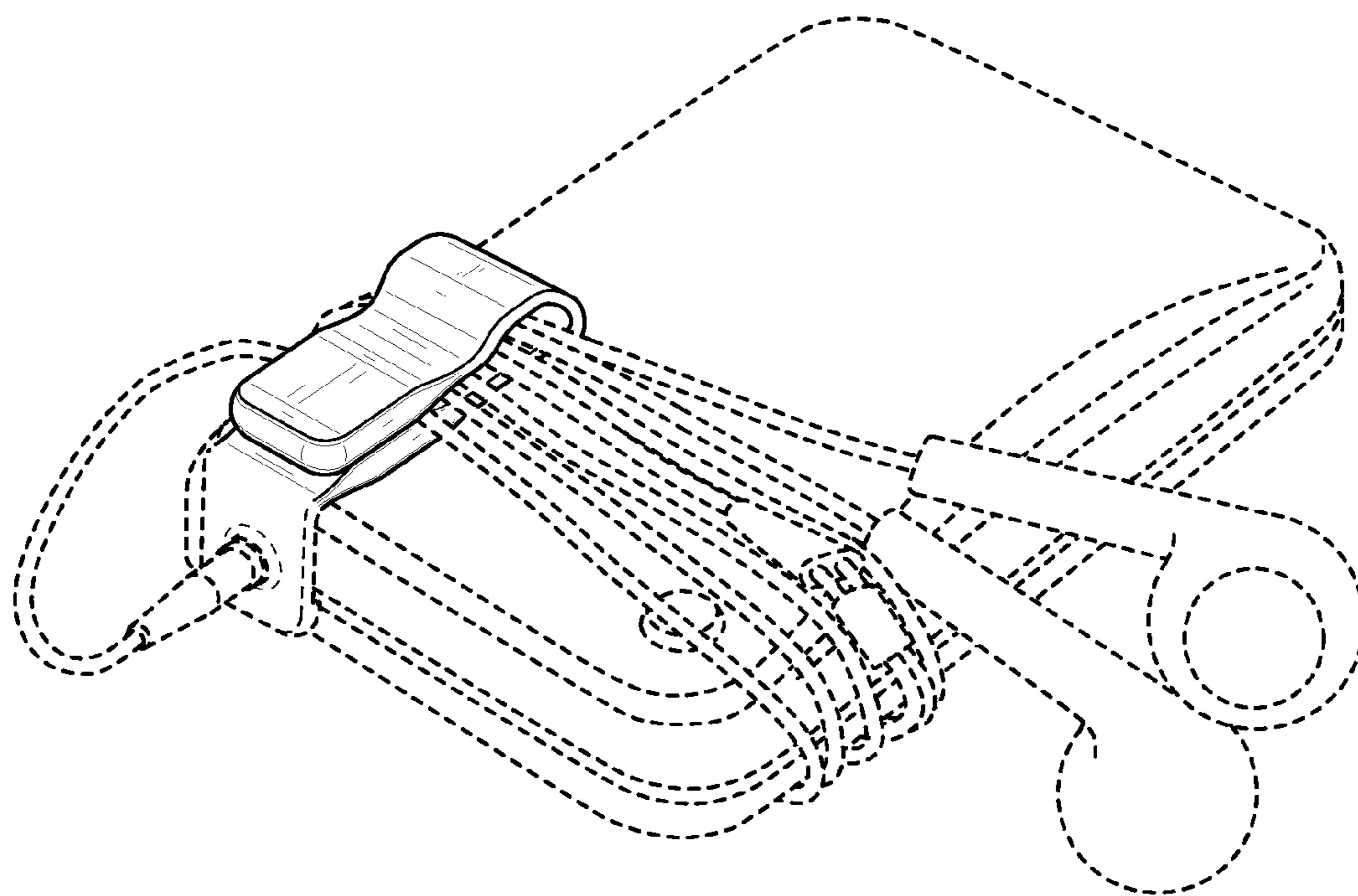


FIG. 9