



US00D645331S

(12) **United States Design Patent**  
**Lin**

(10) **Patent No.:** **US D645,331 S**

(45) **Date of Patent:** **\*\* Sep. 20, 2011**

(54) **DOOR HANDLE**

(75) **Inventor:** **Ching Tien Lin, Taipei Hsien (TW)**

(73) **Assignee:** **Thase Enterprise Co., Ltd., Sinjhuang, Taipei Hsien (TW)**

(\*\*) **Term:** **14 Years**

(21) **Appl. No.:** **29/370,950**

(22) **Filed:** **Sep. 24, 2010**

(51) **LOC (9) Cl.** ..... **08-06**

(52) **U.S. Cl.** ..... **D8/301**

(58) **Field of Classification Search** ..... D8/300,  
D8/301, 302, 308, 313, 315, 331, 333, 338,  
D8/341, 342, 343, 306, 321; 16/110.1, 412;  
70/218, 276, 277, 472, 207; 292/169.23,  
292/336.3

See application file for complete search history.

(56) **References Cited**

**U.S. PATENT DOCUMENTS**

|           |   |   |         |                    |       |            |
|-----------|---|---|---------|--------------------|-------|------------|
| D213,863  | S | * | 4/1969  | Unter              | ..... | D8/302     |
| 3,881,331 | A | * | 5/1975  | Tranberg et al.    | ..... | 70/107     |
| 4,631,937 | A | * | 12/1986 | Debus et al.       | ..... | 70/207     |
| D290,442  | S | * | 6/1987  | Floyd et al.       | ..... | D8/330     |
| D292,063  | S | * | 9/1987  | Hill               | ..... | D8/302     |
| D292,171  | S | * | 10/1987 | Berg               | ..... | D8/331     |
| 4,921,289 | A | * | 5/1990  | Shen               | ..... | 292/336.3  |
| 5,165,739 | A | * | 11/1992 | Liu                | ..... | 292/169.23 |
| 5,177,987 | A | * | 1/1993  | Shen               | ..... | 70/224     |
| D338,389  | S | * | 8/1993  | Finkelstein et al. | ..... | D8/331     |

|           |    |   |         |                  |       |          |
|-----------|----|---|---------|------------------|-------|----------|
| D346,105  | S  | * | 4/1994  | Shaanan          | ..... | D8/301   |
| 5,447,047 | A  | * | 9/1995  | Lin              | ..... | 70/218   |
| D391,143  | S  | * | 2/1998  | Jancsek          | ..... | D8/338   |
| D400,776  | S  | * | 11/1998 | Prevot et al.    | ..... | D8/301   |
| D406,040  | S  | * | 2/1999  | Kuehn            | ..... | D8/301   |
| D411,433  | S  | * | 6/1999  | Swan et al.      | ..... | D8/306   |
| 6,581,423 | B2 | * | 6/2003  | Lin              | ..... | 70/107   |
| 6,733,050 | B1 | * | 5/2004  | Yao              | ..... | 292/169  |
| 6,895,635 | B2 | * | 5/2005  | Tisol et al.     | ..... | 16/110.1 |
| D525,515  | S  | * | 7/2006  | Antkowiak et al. | ..... | D8/308   |
| 7,181,940 | B2 | * | 2/2007  | Lin              | ..... | 70/472   |
| D582,246  | S  | * | 12/2008 | Veltz            | ..... | D8/308   |

\* cited by examiner

*Primary Examiner* — Paula Greene

(74) *Attorney, Agent, or Firm* — Charles E. Baxley

(57) **CLAIM**

The ornamental design for a door handle, as shown and described.

**DESCRIPTION**

FIG. 1 is a perspective view of a door handle showing my new design;

FIG. 2 is a front elevational view thereof;

FIG. 3 is a rear elevational view thereof;

FIG. 4 is a top plan view thereof;

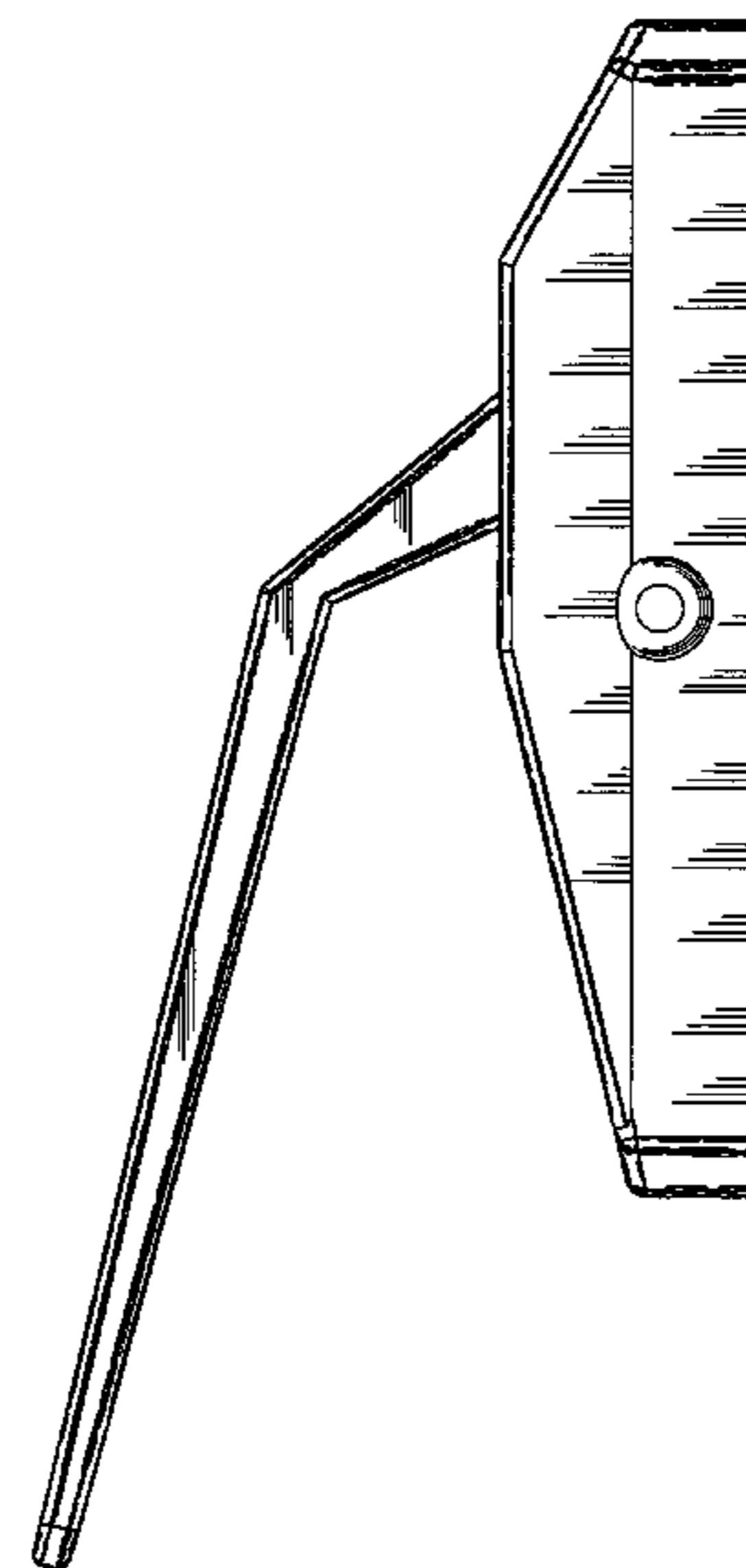
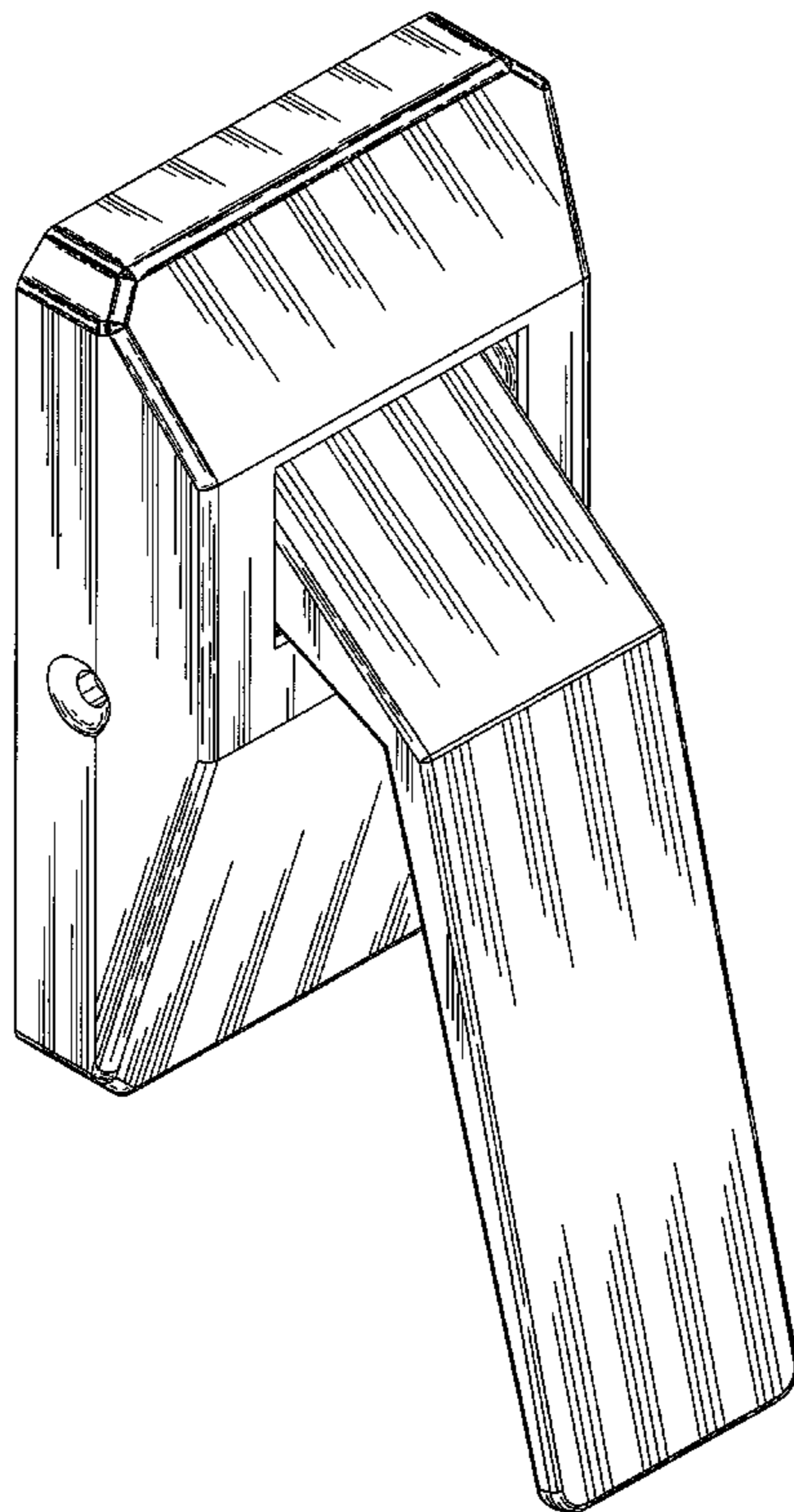
FIG. 5 is a bottom plan view thereof;

FIG. 6 is a left side elevational view thereof; and,

FIG. 7 is a right side elevational view thereof.

The broken lines in FIG. 6 showing a number of holes and protrusions illustrates environmental structure and forms no part of the claimed design.

**1 Claim, 6 Drawing Sheets**



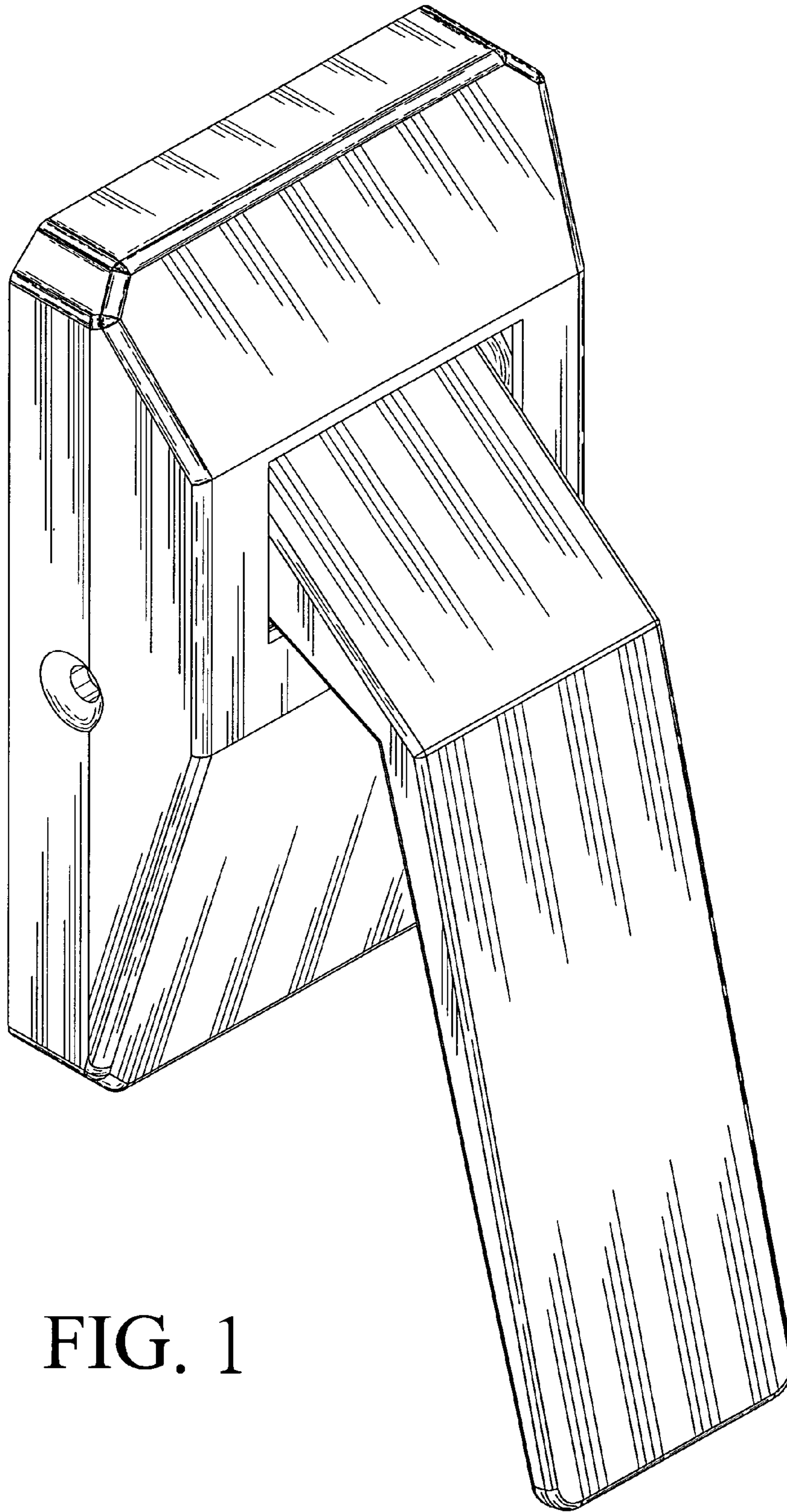


FIG. 1

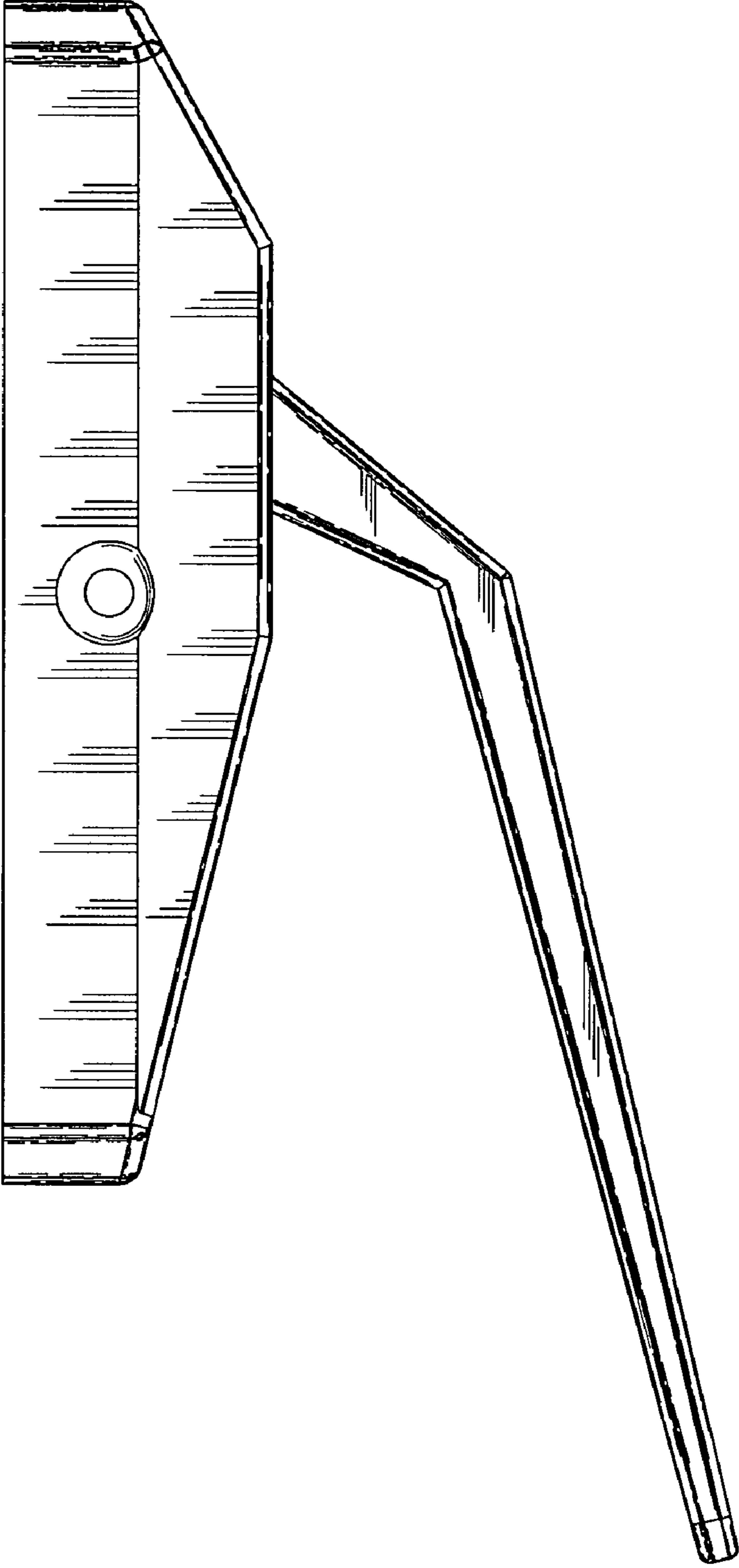


FIG. 2

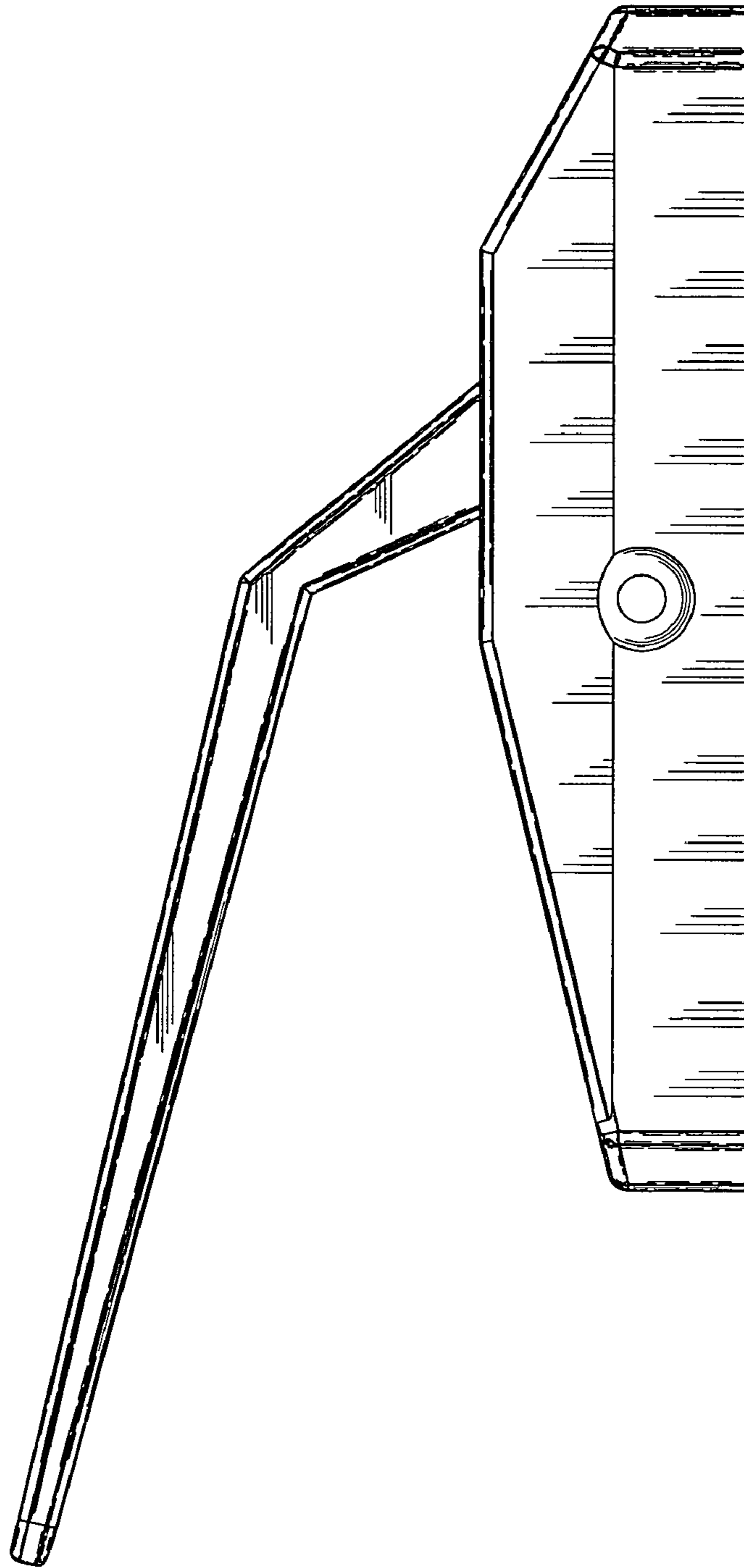


FIG. 3

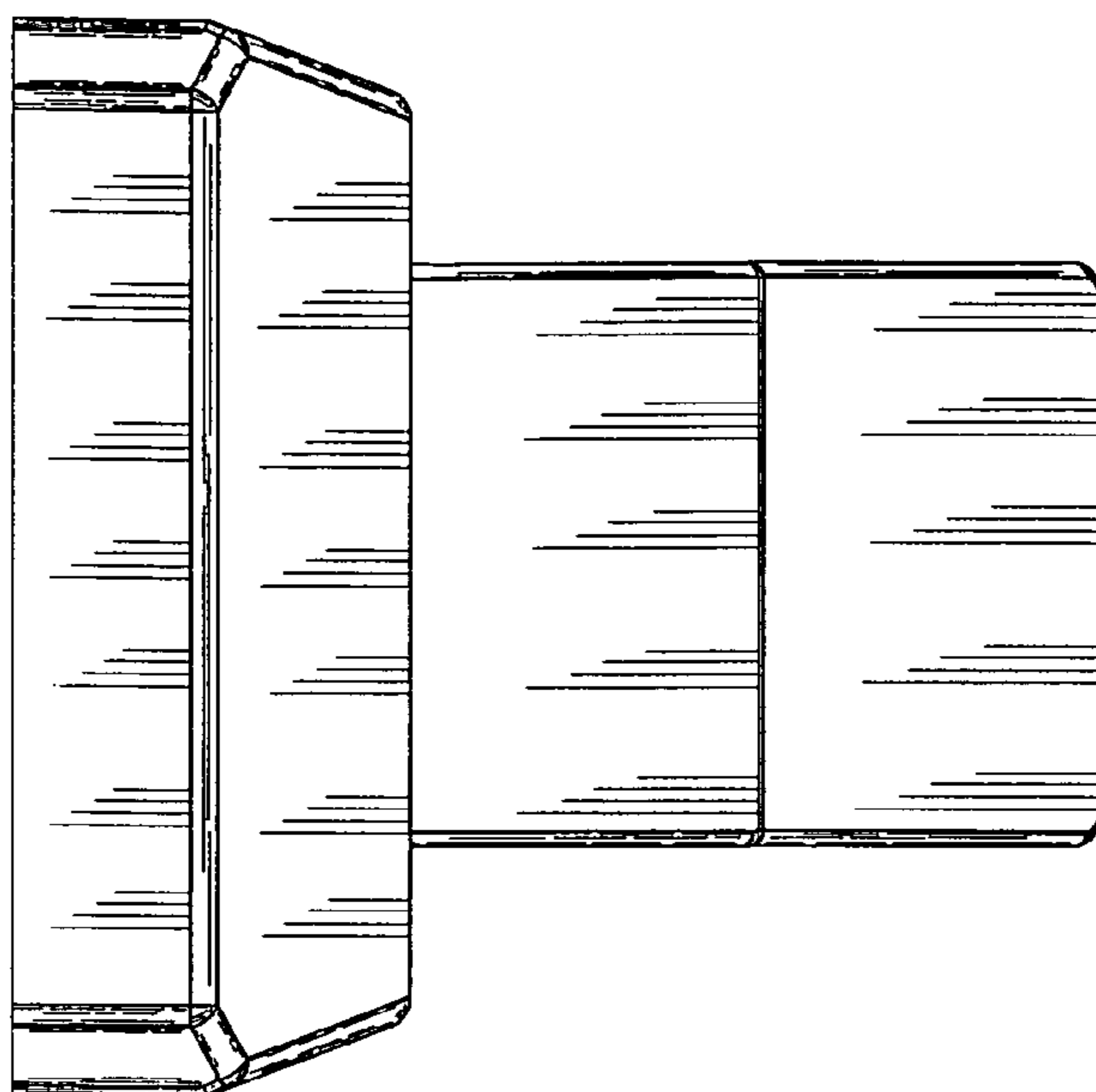


FIG. 4

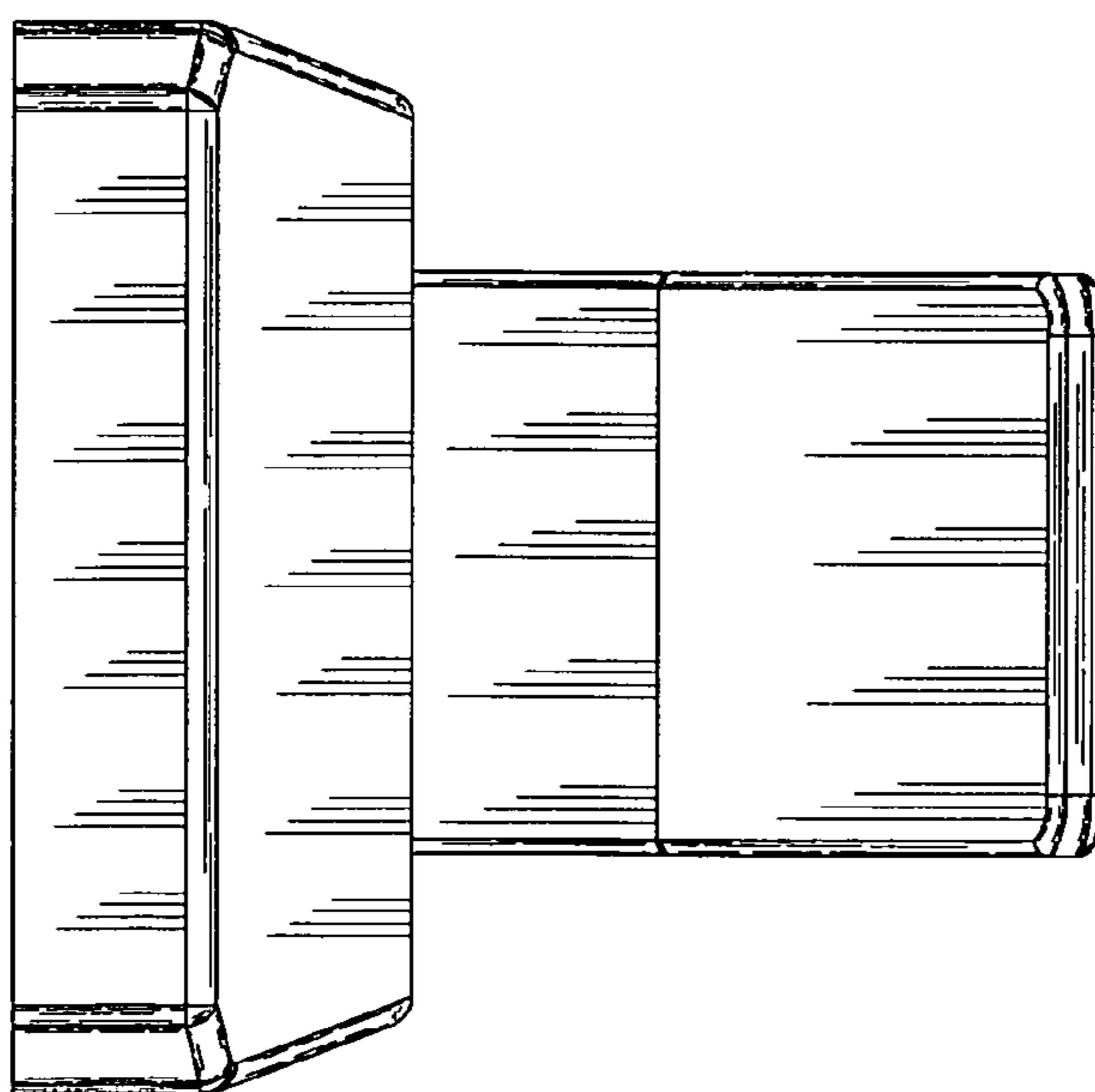


FIG. 5



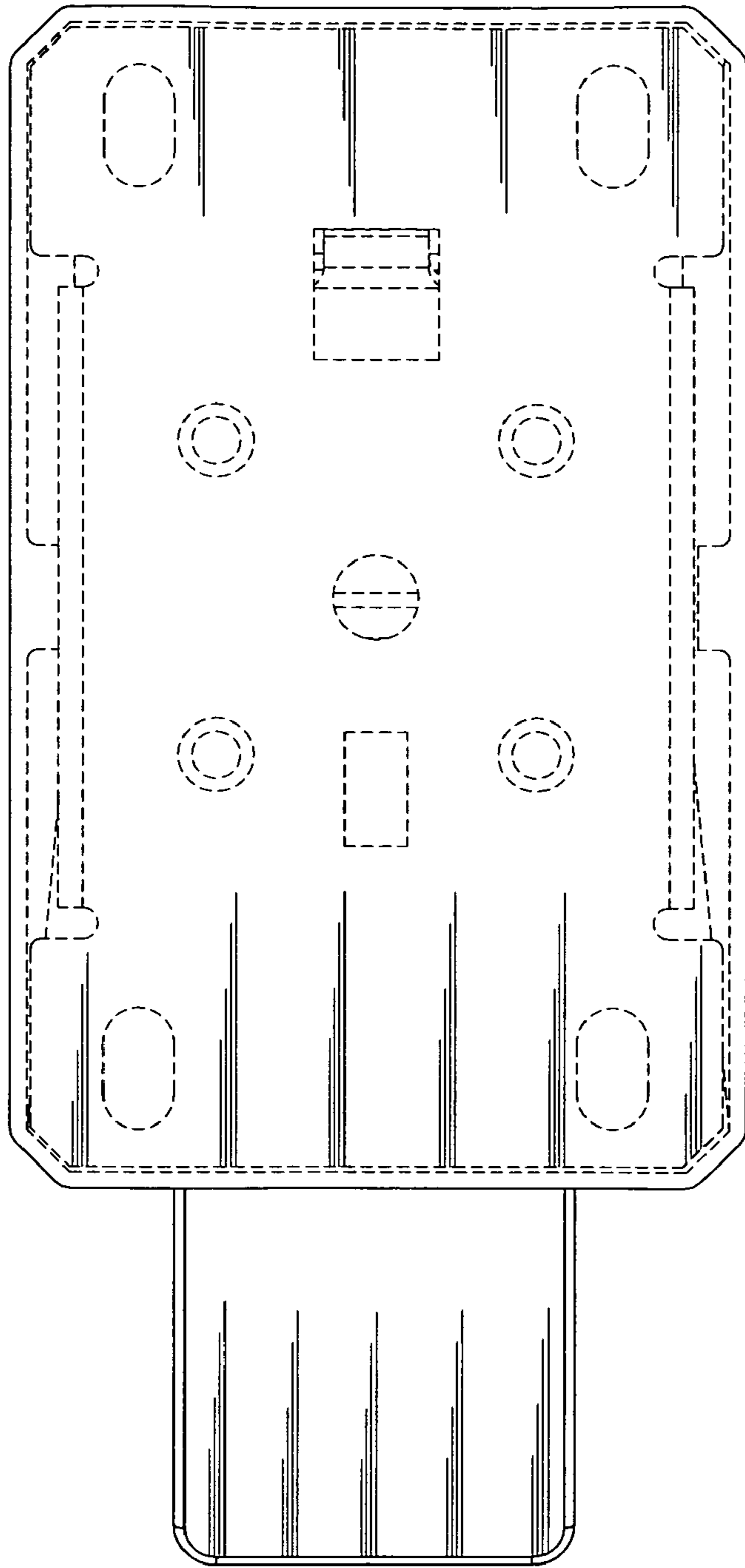


FIG. 6

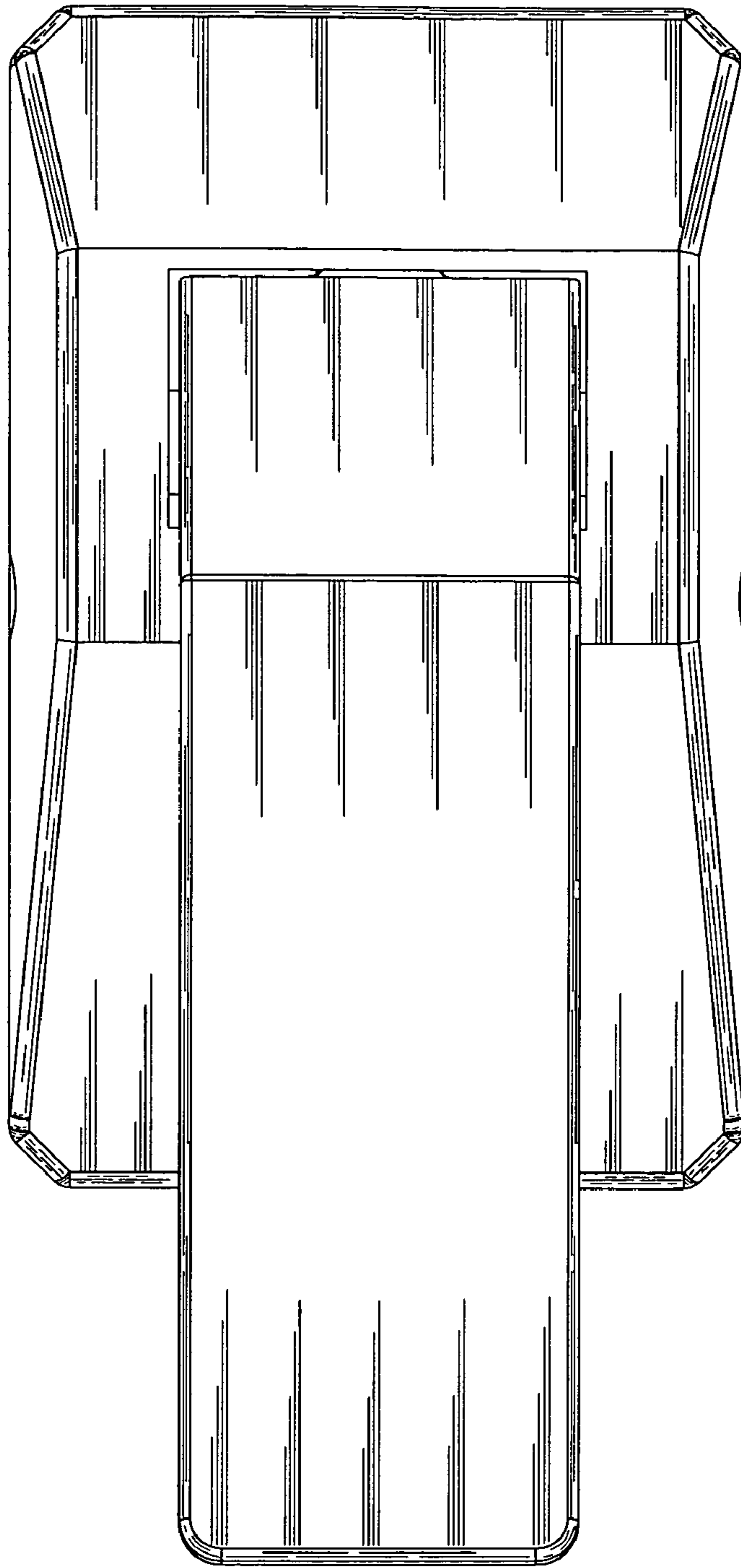


FIG. 7