



US00D645329S

(12) **United States Design Patent**  
**Hsu**

(10) **Patent No.:** **US D645,329 S**

(45) **Date of Patent:** **\*\* Sep. 20, 2011**

(54) **TOOL BIT**

(76) **Inventor:** **Shao-Hsien Hsu**, Taichung (TW)

(\*\*) **Term:** **14 Years**

(21) **Appl. No.:** **29/384,026**

(22) **Filed:** **Jan. 26, 2011**

(51) **LOC (9) Cl.** ..... **08-04**

(52) **U.S. Cl.** ..... **D8/86**

(58) **Field of Classification Search** ..... D8/82-87;  
81/436, 438-441, 460-461, 489-490  
See application file for complete search history.

(56) **References Cited**

**U.S. PATENT DOCUMENTS**

D410,372	S *	6/1999	Strauch	.....	D8/86
5,953,969	A *	9/1999	Rosenhan	.....	81/436
D431,768	S *	10/2000	Feik	.....	D8/86
D455,627	S *	4/2002	Song	.....	D8/86
6,490,950	B2 *	12/2002	Ray et al.	.....	76/119
6,520,055	B1 *	2/2003	Reusch et al.	.....	81/460
D474,388	S *	5/2003	Wu et al.	.....	D8/86
6,655,241	B2 *	12/2003	Kozak	.....	81/460
7,117,765	B1 *	10/2006	Wallden	.....	81/60
7,168,348	B2 *	1/2007	Holland-Letz	.....	81/460
7,437,979	B1 *	10/2008	Wang	.....	81/436
7,581,470	B1 *	9/2009	Huang	.....	81/438
D614,931	S *	5/2010	Su	.....	D8/86
D615,380	S *	5/2010	Su	.....	D8/86
D616,280	S *	5/2010	Su	.....	D8/86
D625,983	S *	10/2010	Lai	.....	D8/86
7,836,801	B2 *	11/2010	Huang	.....	81/177.1
D628,456	S *	12/2010	Lai	.....	D8/86

2004/0007095	A1 *	1/2004	Meng	.....	81/53.2
2004/0099106	A1 *	5/2004	Strauch et al.	.....	81/460
2008/0034928	A1 *	2/2008	Sheu	.....	81/177.1
2009/0282955	A1 *	11/2009	Chang-Kao	.....	81/438
2010/0275741	A1 *	11/2010	Lai	.....	81/438

**OTHER PUBLICATIONS**

Insert Bits-Milwaukee Shockwave Impact Duty.. Snagged Jun. 18, 2010 at [www.toolbarn.com](http://www.toolbarn.com).\*

Quality Intensive color-ringed Driver bits—TORX. Downloaded Jun. 19, 2010 at [http://www.riss-france.com/index-cat-riss-Ing-ANGLAIS-famille-60143-ID\\_MS-43193.html](http://www.riss-france.com/index-cat-riss-Ing-ANGLAIS-famille-60143-ID_MS-43193.html).\*

\* cited by examiner

*Primary Examiner* — Philip S Hyder

*Assistant Examiner* — Roselynn Cody

(57) **CLAIM**

The ornamental design for a tool bit, as shown and described.

**DESCRIPTION**

FIG. 1 is a perspective view of a tool bit showing my new design;

FIG. 2 is a front elevational view of FIG. 1;

FIG. 3 is a rear elevational view of FIG. 1;

FIG. 4 is a left side view of FIG. 1;

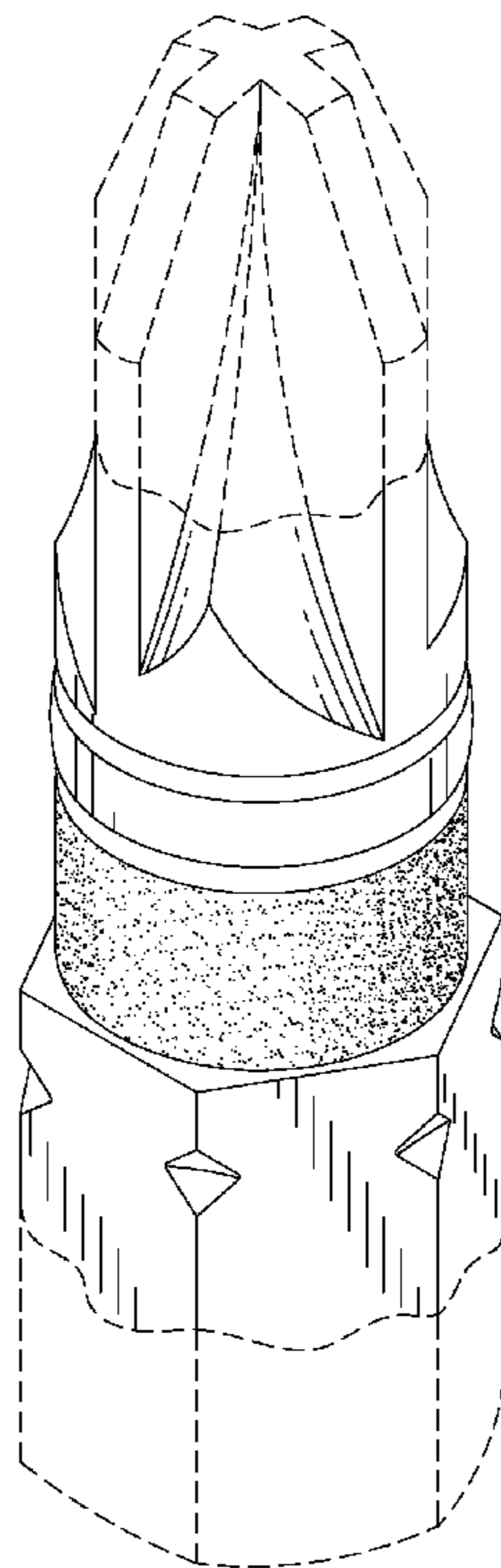
FIG. 5 is a right side view of FIG. 1;

FIG. 6 is a top plan view of FIG. 1; and,

FIG. 7 is a bottom plan view of FIG. 1.

The ornamental design which is claimed is shown in solid lines in the drawings. The broken lines in the drawings are for illustrative purposes only and form no part of the claimed design.

**1 Claim, 6 Drawing Sheets**



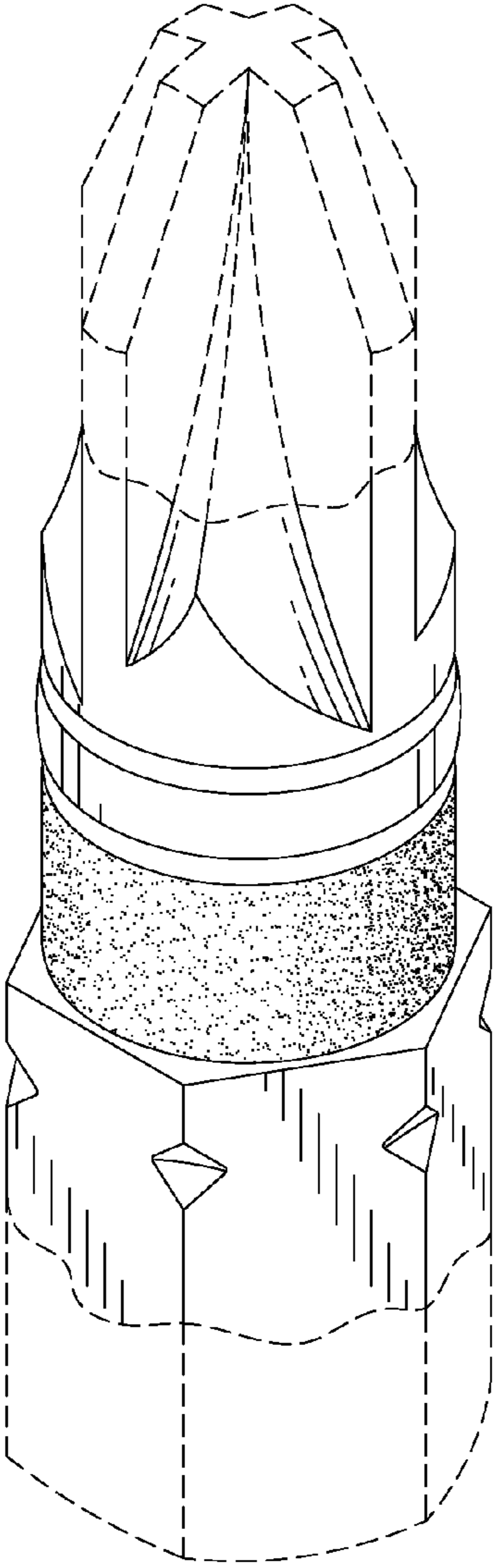


FIG. 1

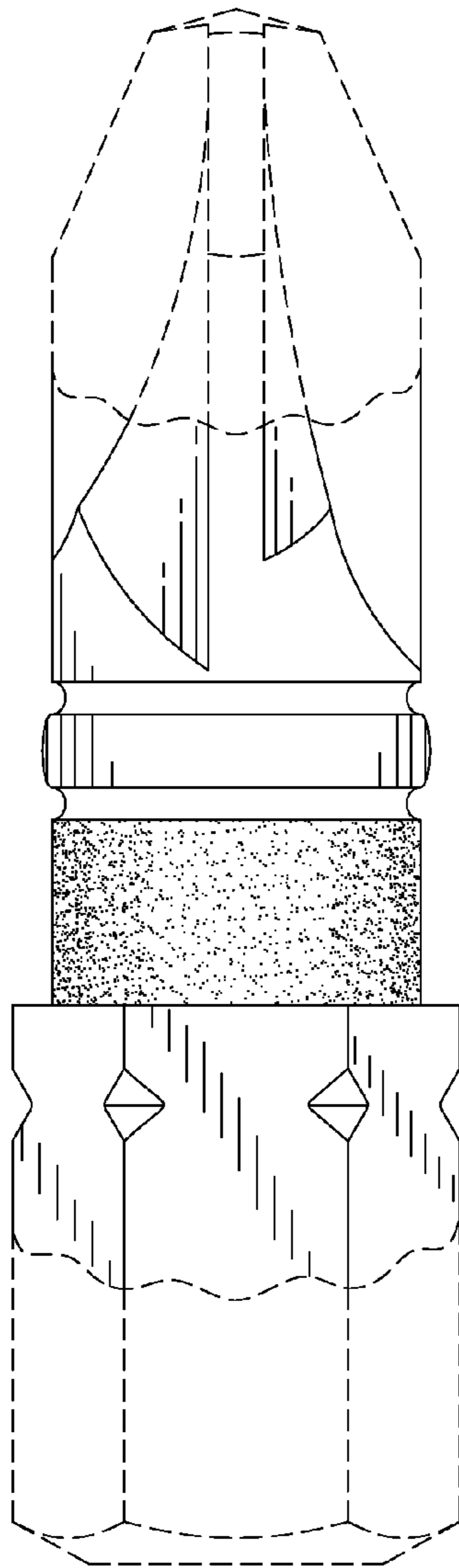


FIG. 2

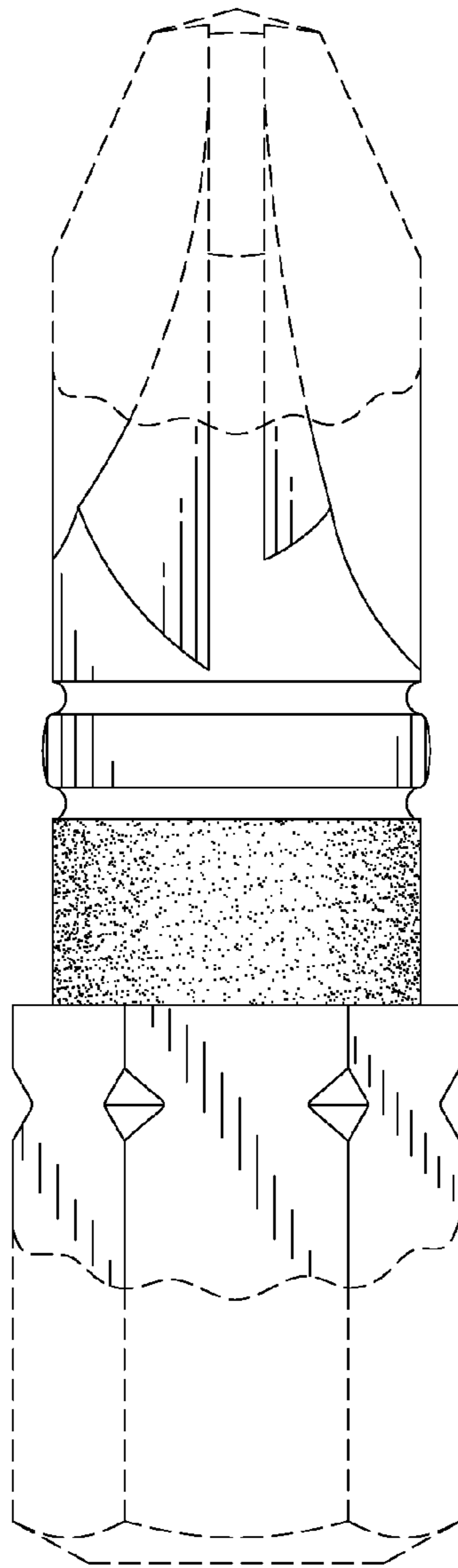


FIG. 3

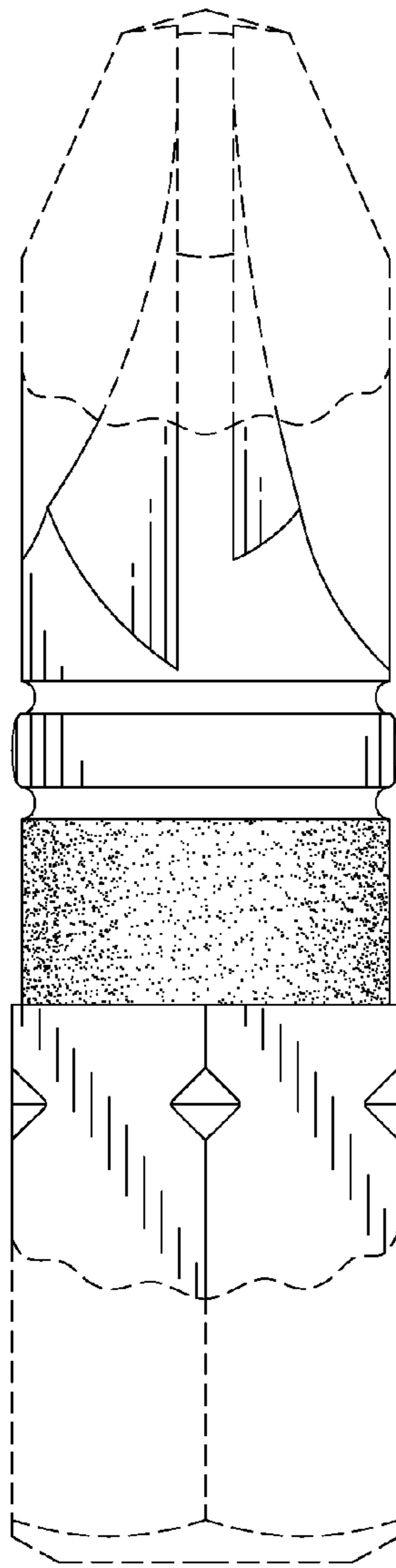


FIG. 4

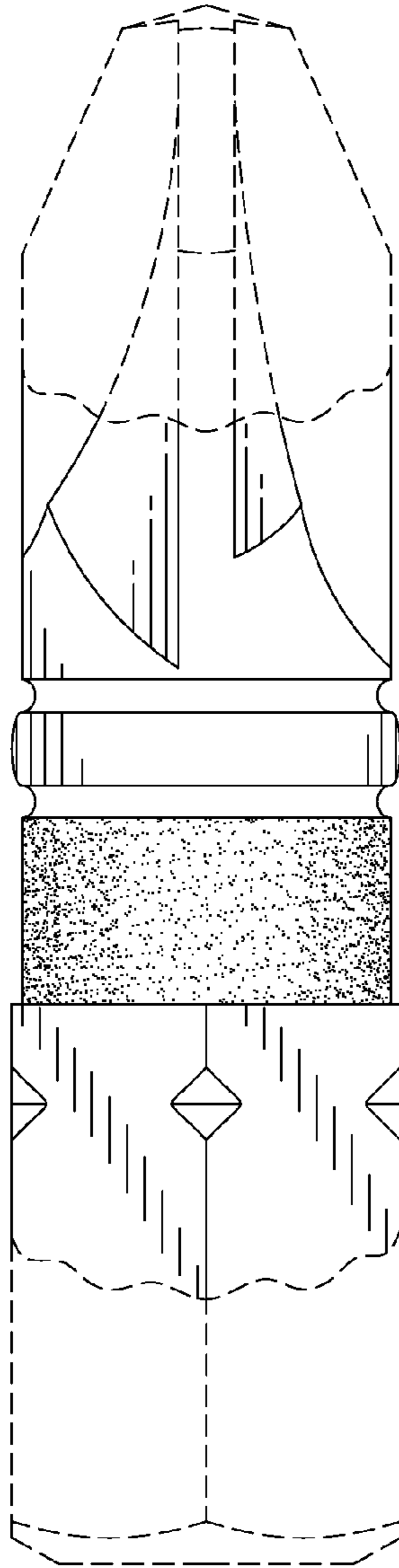


FIG. 5

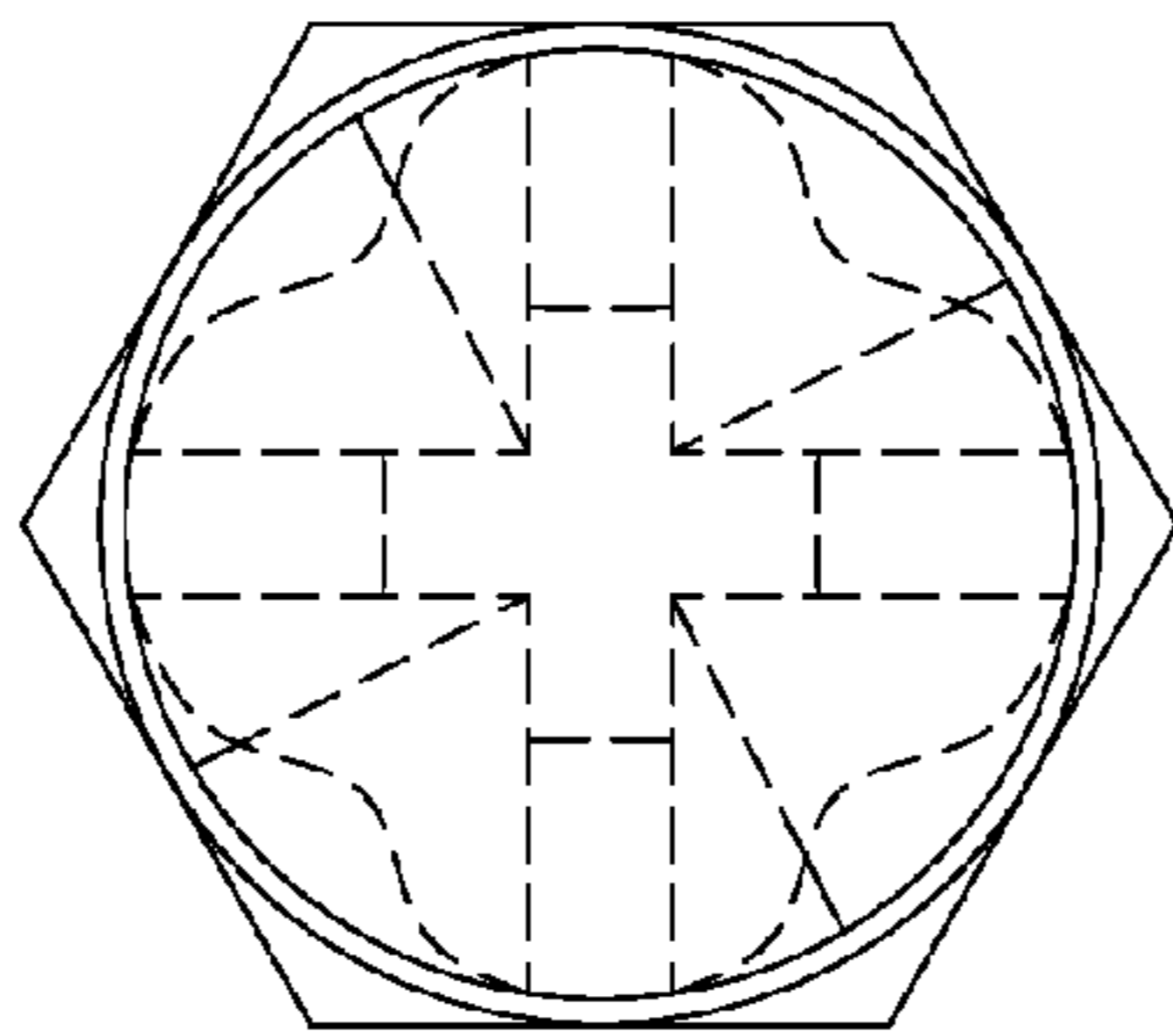


FIG. 6

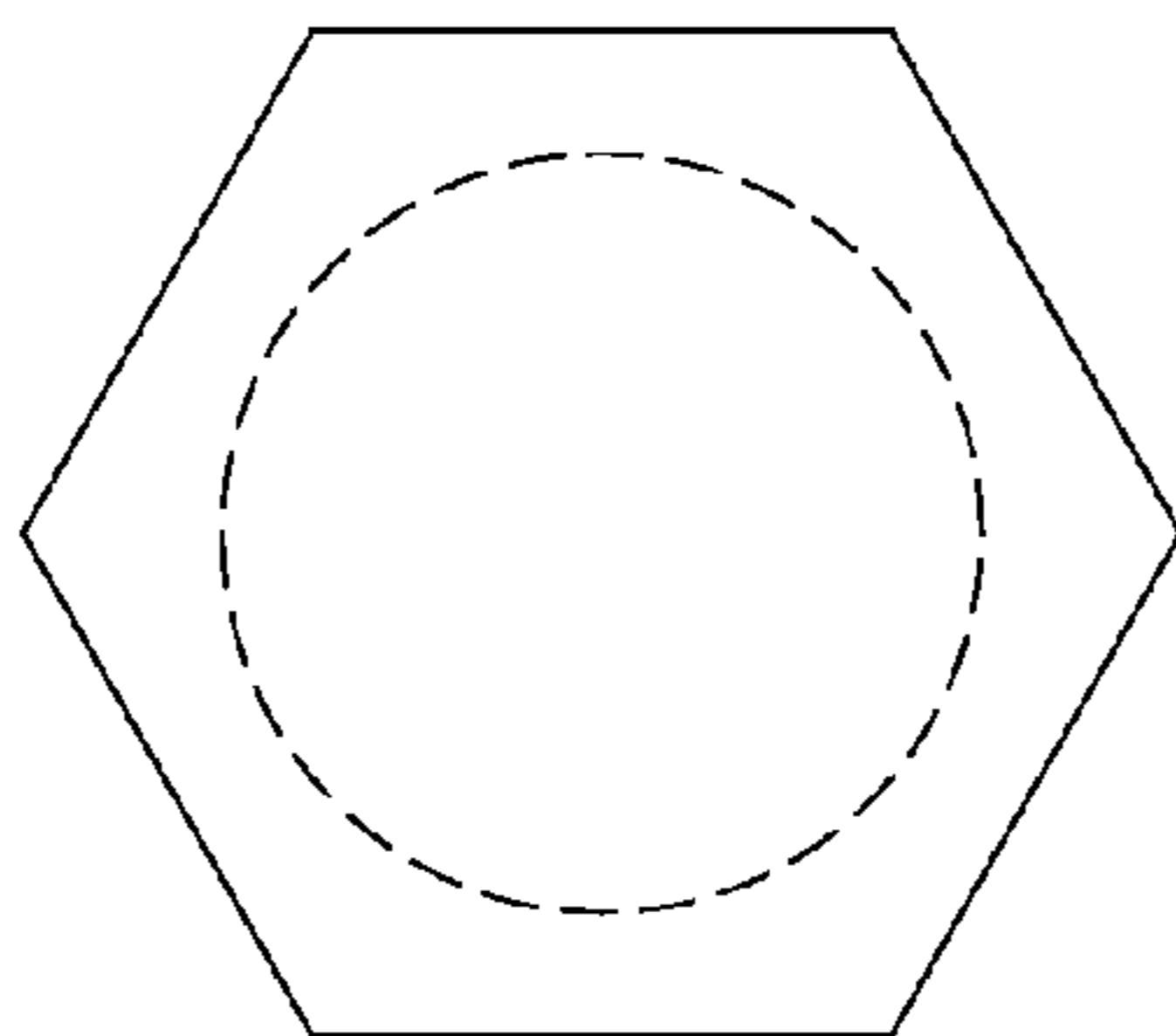


FIG. 7