



US00D645318S

(12) **United States Design Patent**  
**Taniguchi et al.**

(10) **Patent No.:** **US D645,318 S**

(45) **Date of Patent:** **\*\* Sep. 20, 2011**

(54) **PORTABLE ELECTRIC HAMMER DRILL**

(56) **References Cited**

(75) Inventors: **Takeshi Taniguchi**, Hitachinaka (JP);  
**Shinichi Kakefuda**, Hitachinaka (JP);  
**Masanori Okada**, Hitachinaka (JP);  
**Takahiro Okubo**, Hitachinaka (JP)

U.S. PATENT DOCUMENTS

D503,079	S	*	3/2005	Aglassinger	.....	D8/69
D508,388	S	*	8/2005	Aglassinger	.....	D8/69
D534,407	S	*	1/2007	Waldron	.....	D8/69
D540,643	S	*	4/2007	Waldron	.....	D8/69
D581,235	S	*	11/2008	Aglassinger	.....	D8/69
7,866,520	B2	*	1/2011	Lin	.....	227/8

(73) Assignee: **Hitachi Koki Co., Ltd.**, Tokyo (JP)

\* cited by examiner

(\*\*) Term: **14 Years**

*Primary Examiner* — Antoine D Davis

(21) Appl. No.: **29/369,188**

(74) *Attorney, Agent, or Firm* — Sughrue Mion, PLLC

(22) Filed: **Sep. 3, 2010**

(57) **CLAIM**

The ornamental design for portable electric hammer drill, as shown and described.

(30) **Foreign Application Priority Data**

**DESCRIPTION**

Mar. 19, 2010 (JP) ..... 2010-006833

(51) **LOC (9) Cl.** ..... **08-03**

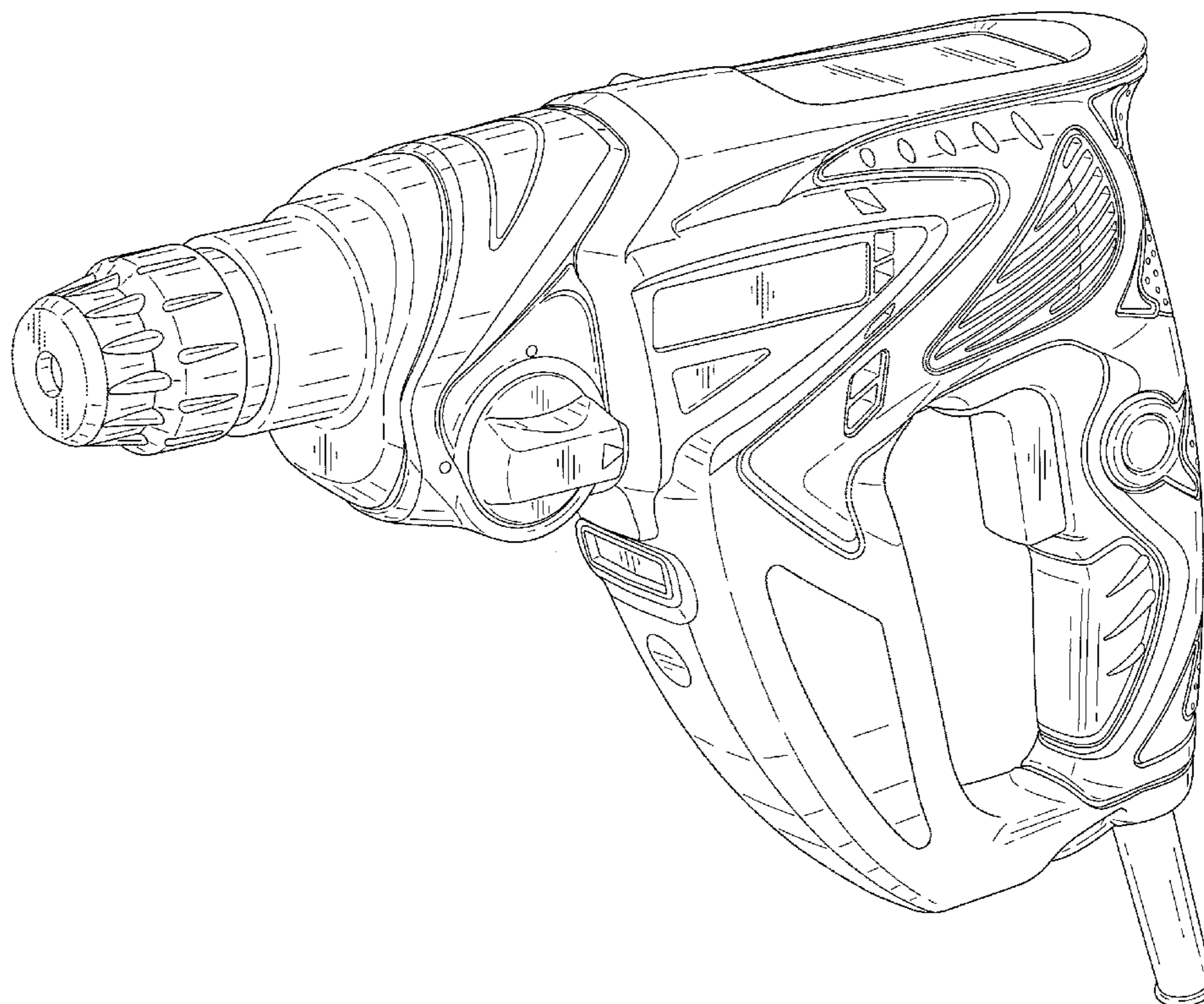
(52) **U.S. Cl.** ..... **D8/69**

(58) **Field of Classification Search** ..... D8/61-70;  
81/57.11, 429, 454-456, 469, 489; 173/13,  
173/46, 104, 114, 167-173, 178, 201-211,  
173/213, 214, 217, 198; 227/8, 113, 114,  
227/120, 130, 136, 142; 310/50; 408/20,  
408/35, 117, 124, 125, 234, 241 R, 58, 67;  
451/358; 7/158, 165

FIG. 1 is a front perspective view of the portable electric hammer drill showing our new design; FIG. 2 is a rear perspective view thereof; FIG. 3 is a front view thereof; FIG. 4 is a rear view thereof; FIG. 5 is a top plan view thereof; FIG. 6 is a bottom view thereof; FIG. 7 is a left side view thereof; and, FIG. 8 is a right side view thereof. The broken lines represent the portions of the design that form no part of the claim.

See application file for complete search history.

**1 Claim, 6 Drawing Sheets**



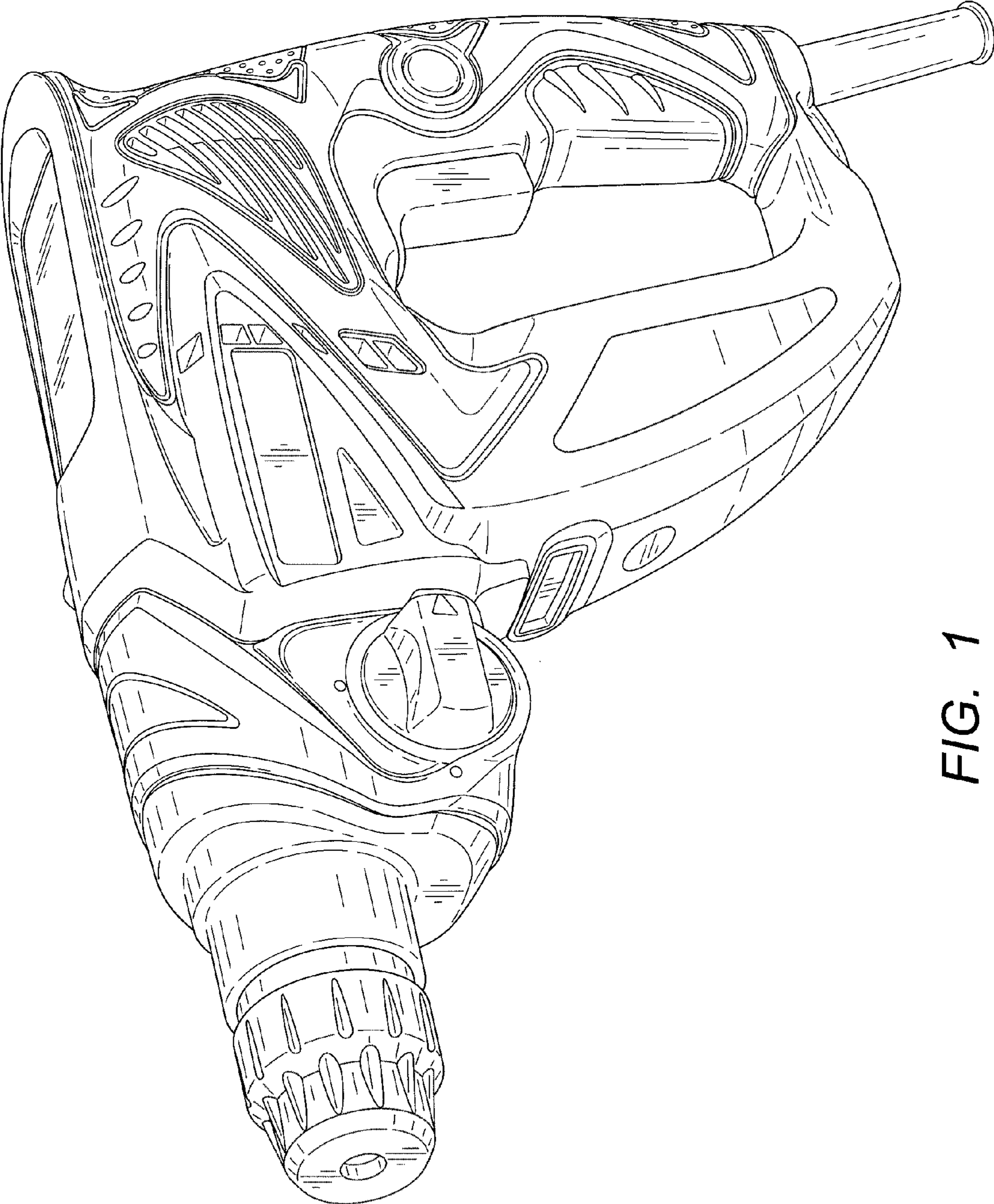


FIG. 1

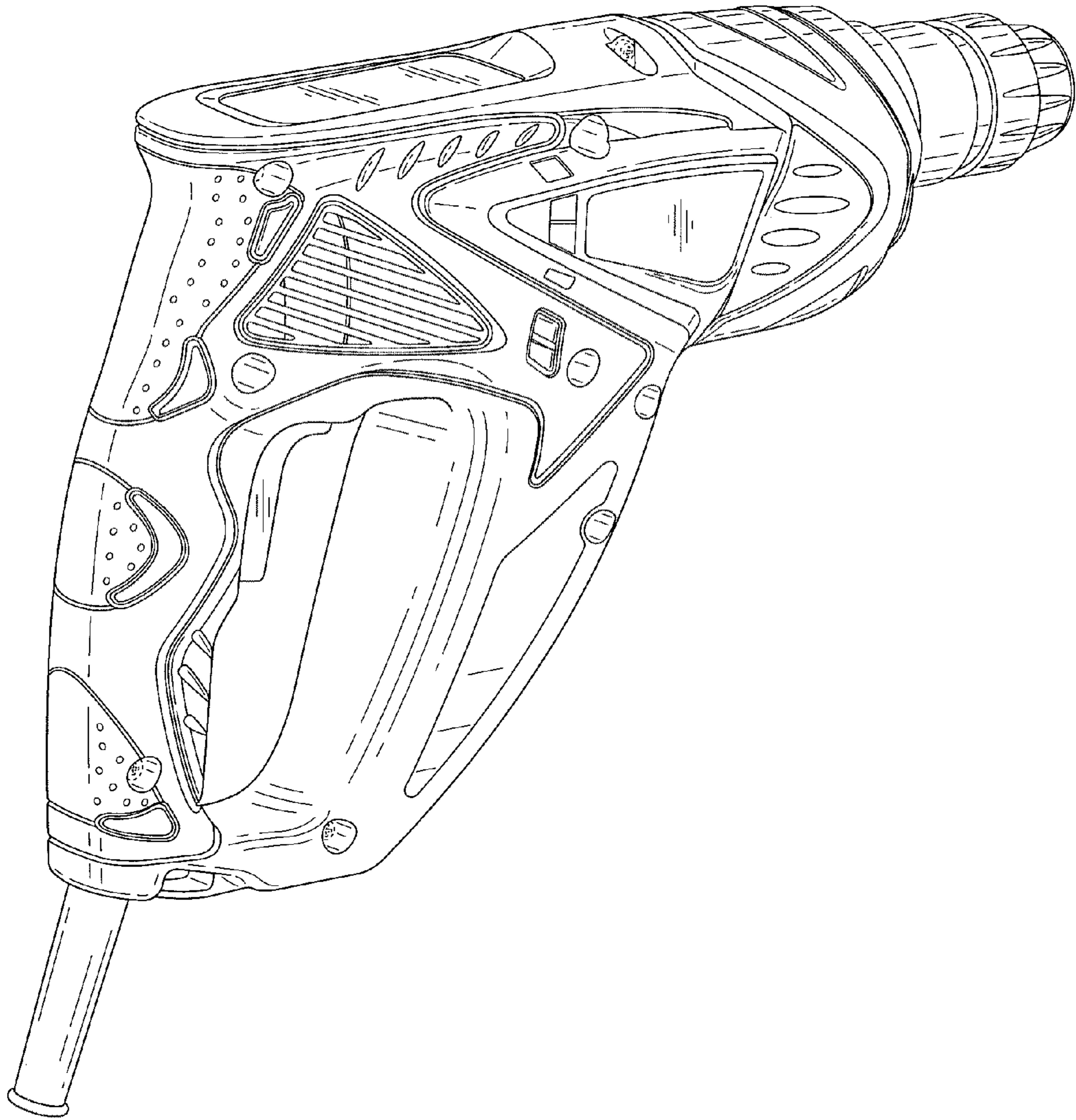


FIG. 2

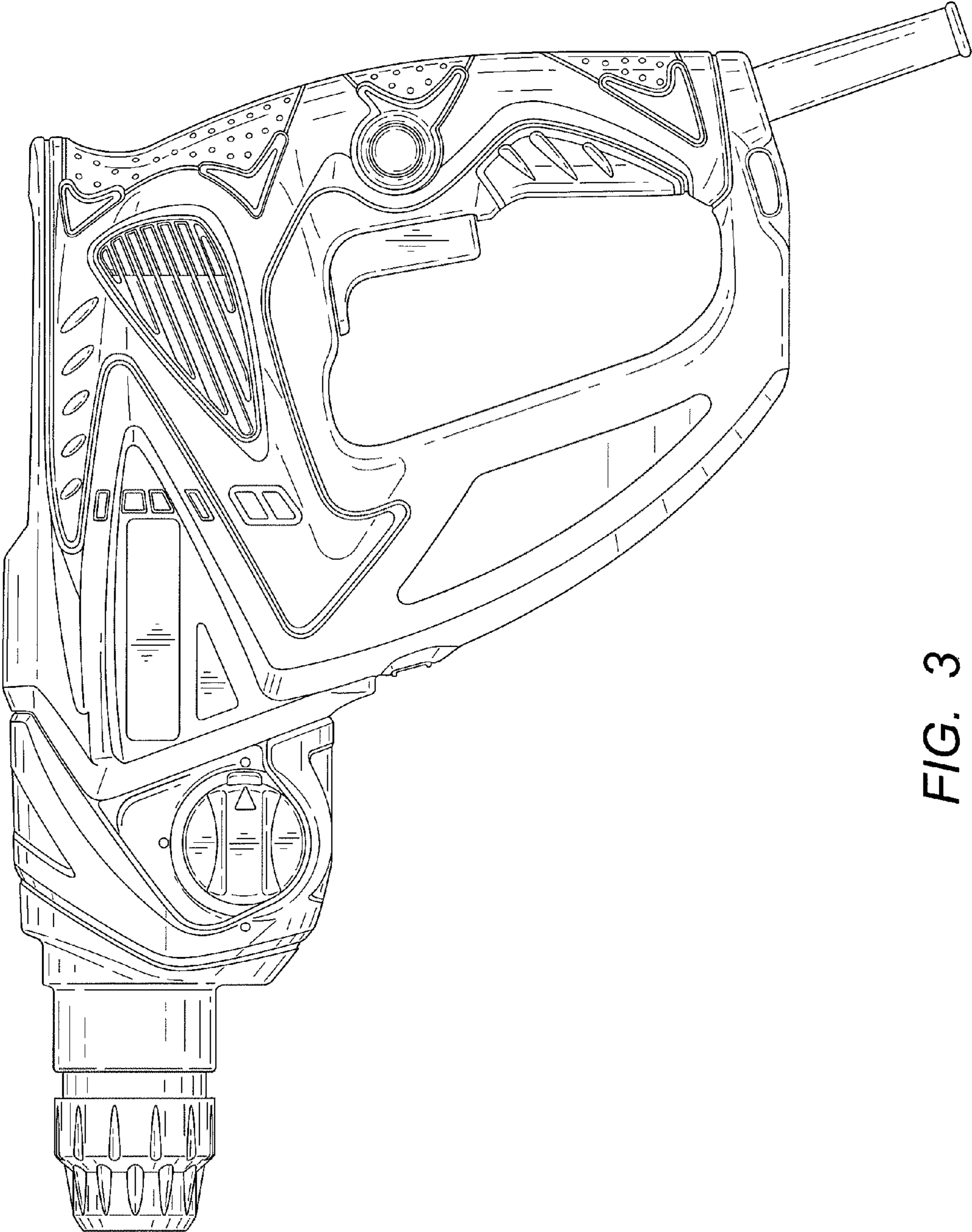


FIG. 3

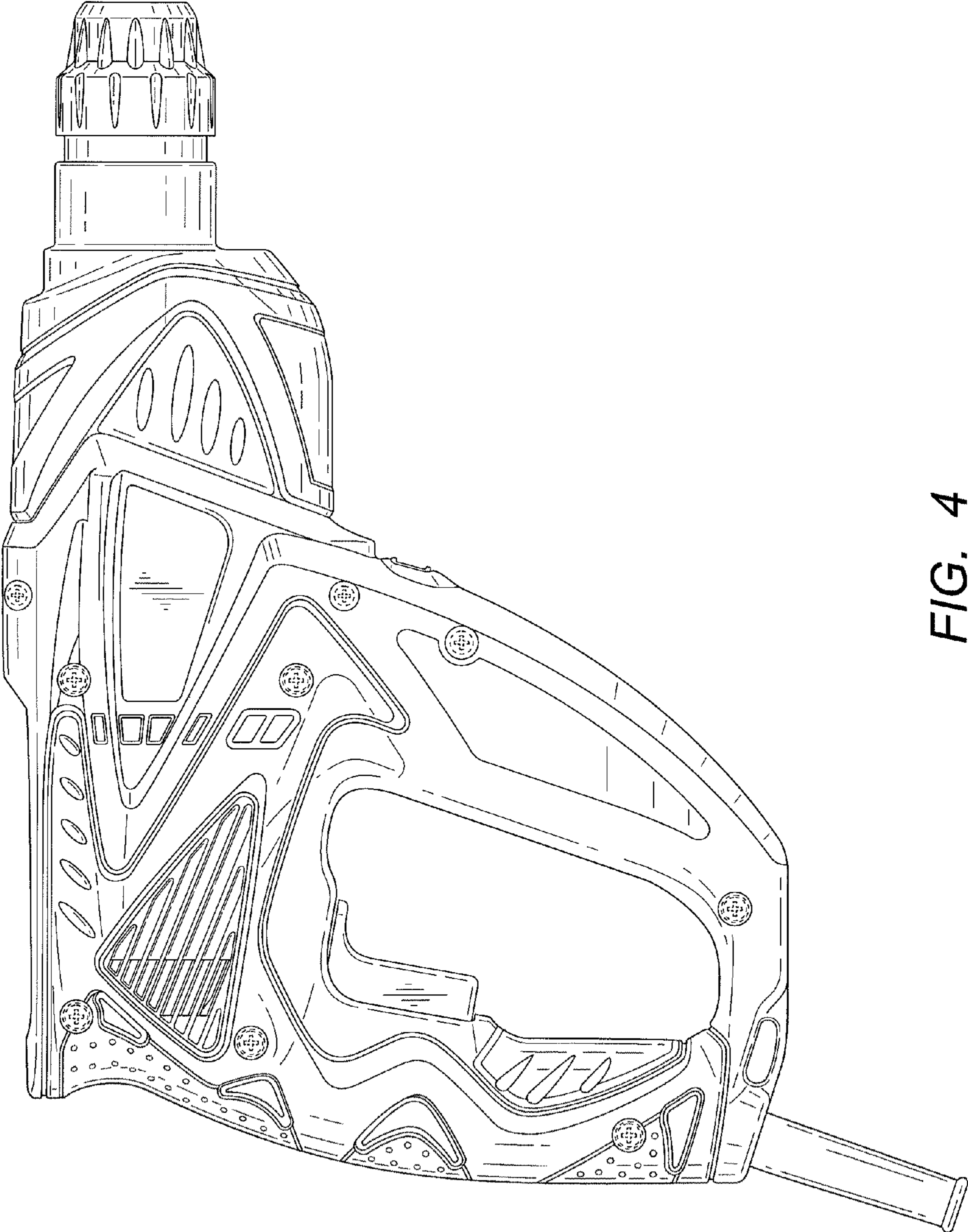


FIG. 4

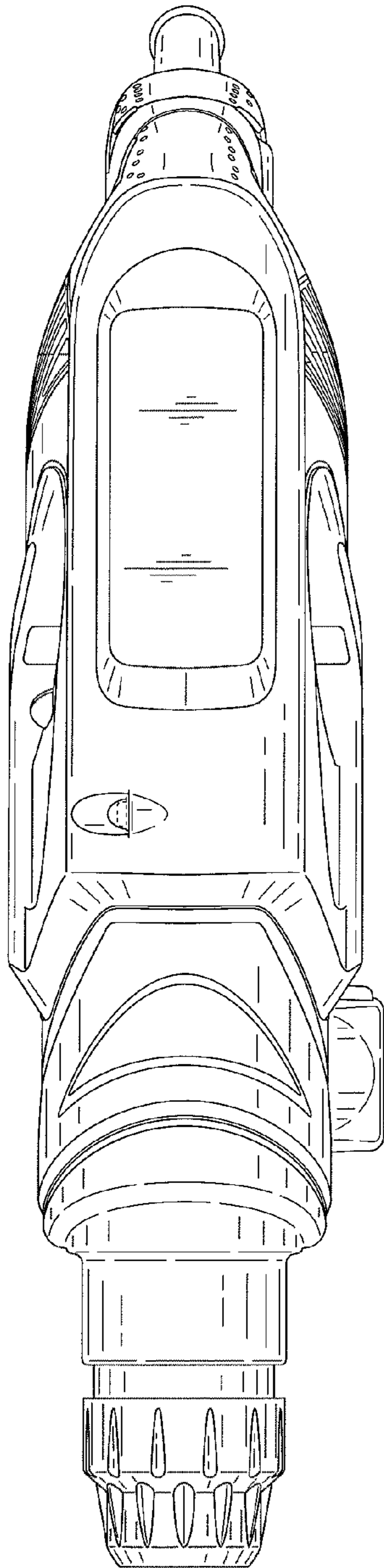


FIG. 5

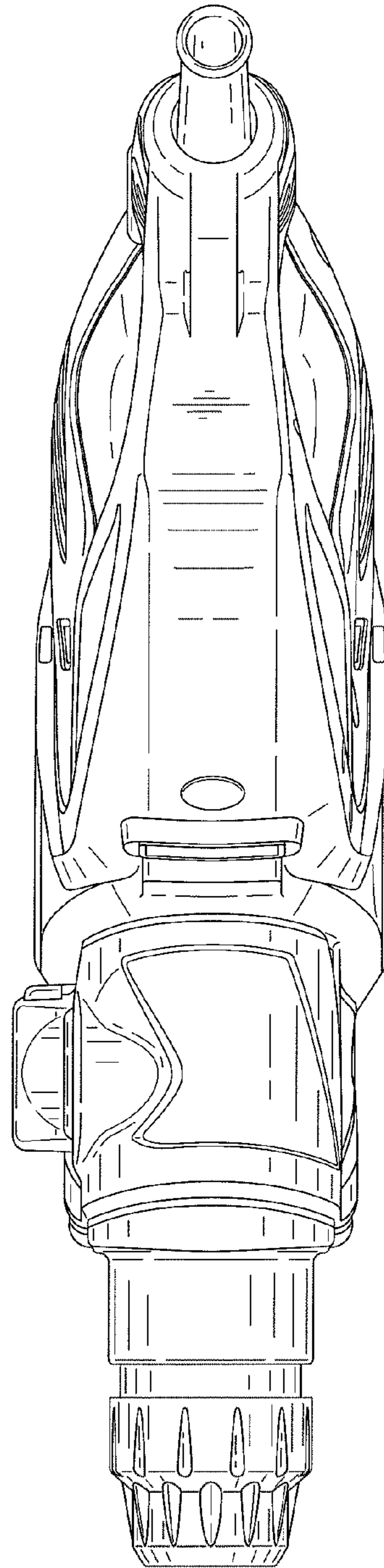
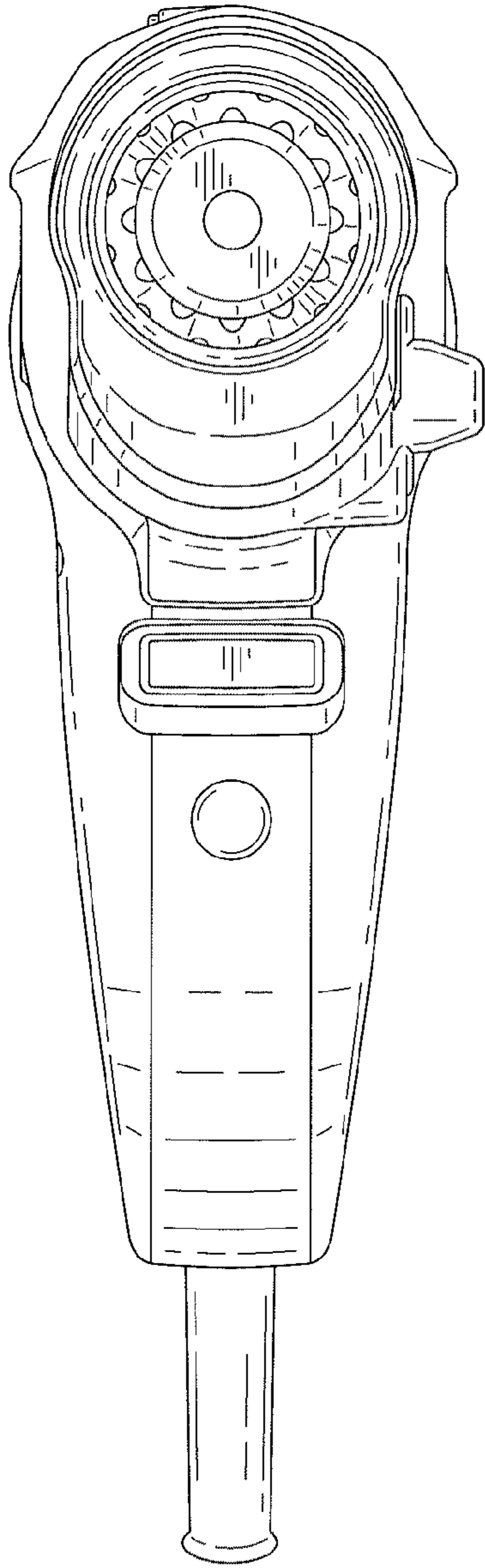
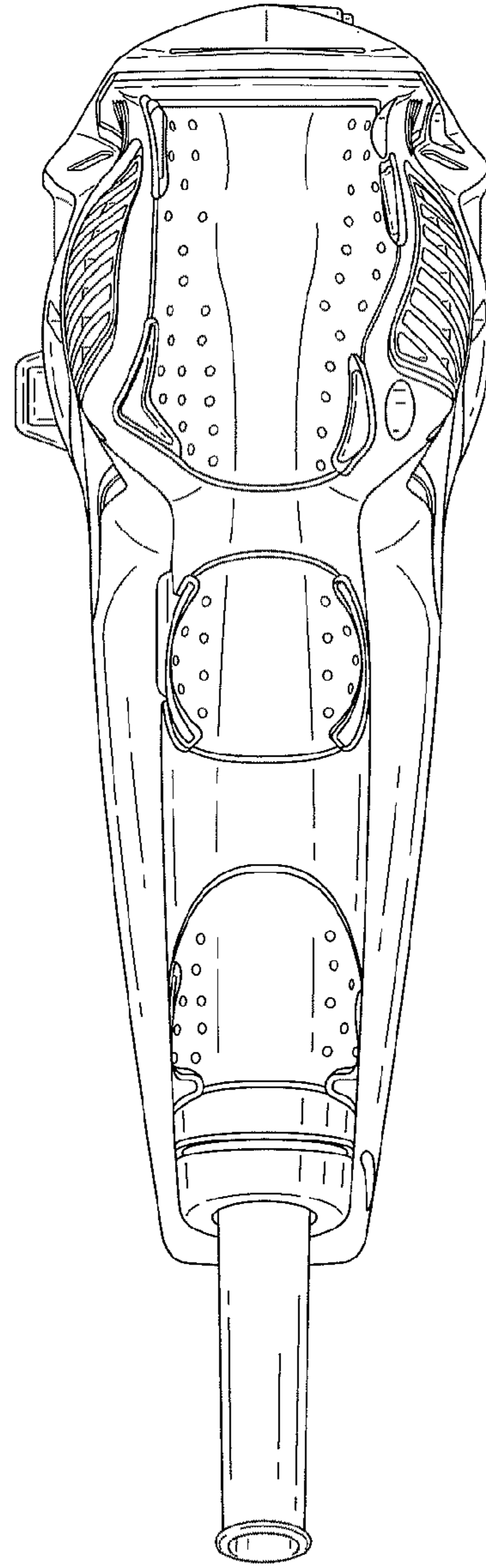


FIG. 6



*FIG. 7*



*FIG. 8*