



US00D645316S

(12) **United States Design Patent**
Murray

(10) **Patent No.:** **US D645,316 S**

(45) **Date of Patent:** **** Sep. 20, 2011**

(54) **HAMMER DRILL**

(75) Inventor: **Thomas Murray**, Baltimore, MD (US)

(73) Assignee: **Black & Decker Inc.**, Newark, DE (US)

(**) Term: **14 Years**

(21) Appl. No.: **29/363,494**

(22) Filed: **Jun. 10, 2010**

(51) **LOC (9) Cl.** **08-04**

(52) **U.S. Cl.** **D8/68**

(58) **Field of Classification Search** D8/14.1,
D8/61, 62, 63, 64, 65, 66, 67, 68, 69, 70;
81/57.11, 429, 454, 455, 456, 469, 489; 173/13,
173/104, 114, 168, 169, 170, 171, 178, 201,
173/211, 213, 217; 408/20, 124, 125, 234,
408/241 R; 451/358; 310/50; 227/8, 113,
227/114, 120, 130, 136, 142
See application file for complete search history.

(56) **References Cited**

U.S. PATENT DOCUMENTS

D513,951 S * 1/2006 Chung et al. D8/68
D588,429 S * 3/2009 Misaki et al. D8/68
D588,430 S * 3/2009 Misaki D8/68

D609,543 S * 2/2010 Misaki et al. D8/68
D628,454 S * 12/2010 Misaki D8/68
D628,455 S * 12/2010 Misaki D8/68
D628,869 S * 12/2010 Misaki D8/68

* cited by examiner

Primary Examiner — Antoine D Davis

(74) *Attorney, Agent, or Firm* — Bruce S. Shapiro; John Yun;
Stephen Valancius

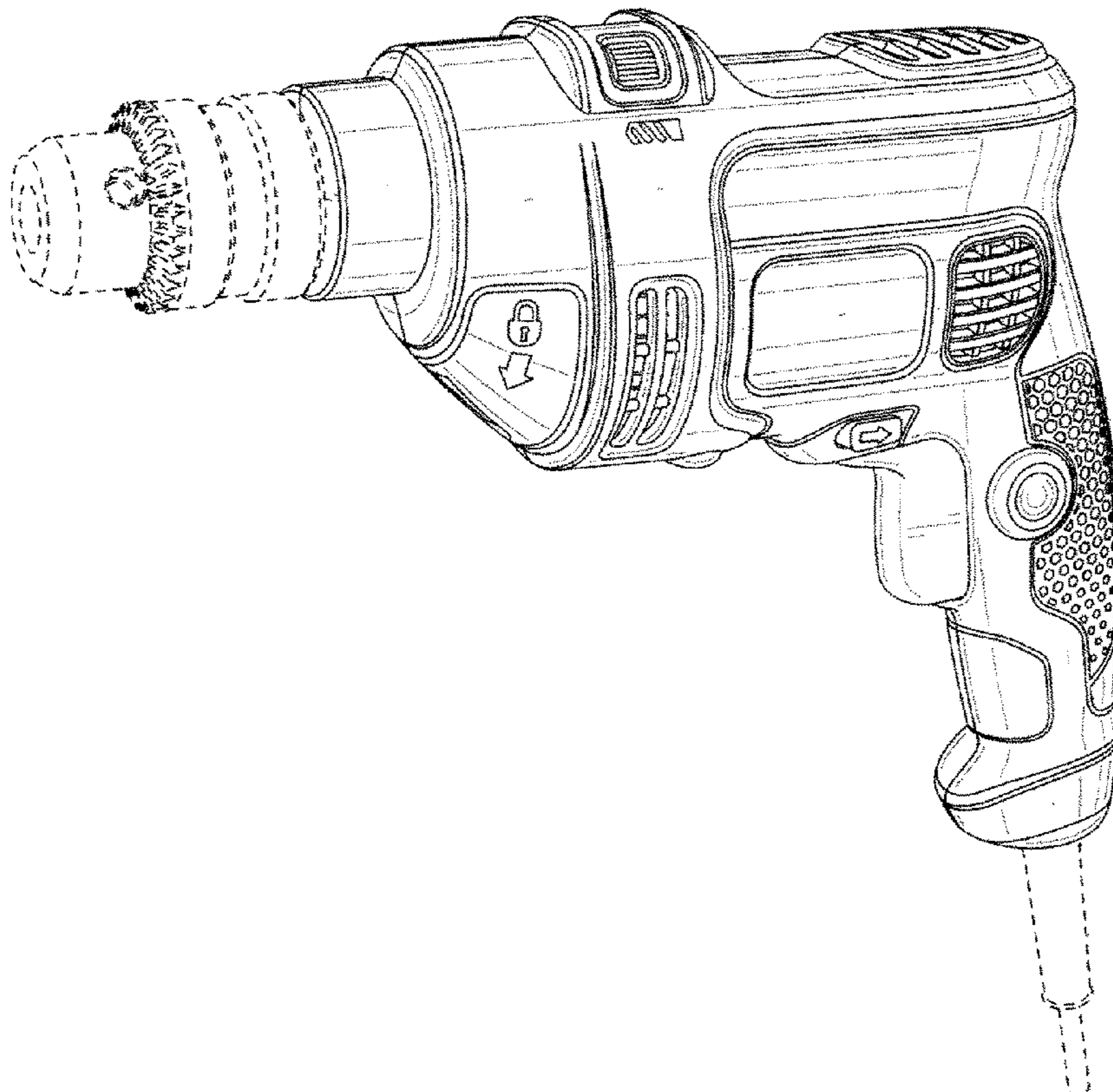
(57) **CLAIM**

The ornamental design for a hammer drill, as shown and described.

DESCRIPTION

FIG. 1 is a left/front perspective view of a hammer drill.
FIG. 2 is a front view thereof.
FIG. 3 is a rear view thereof.
FIG. 4 is a right side view thereof.
FIG. 5 is a left side view thereof.
FIG. 6 is a top view thereof; and,
FIG. 7 is a bottom view thereof.
The broken lines are for illustrative purposes only and form no part of the claimed design.

1 Claim, 5 Drawing Sheets



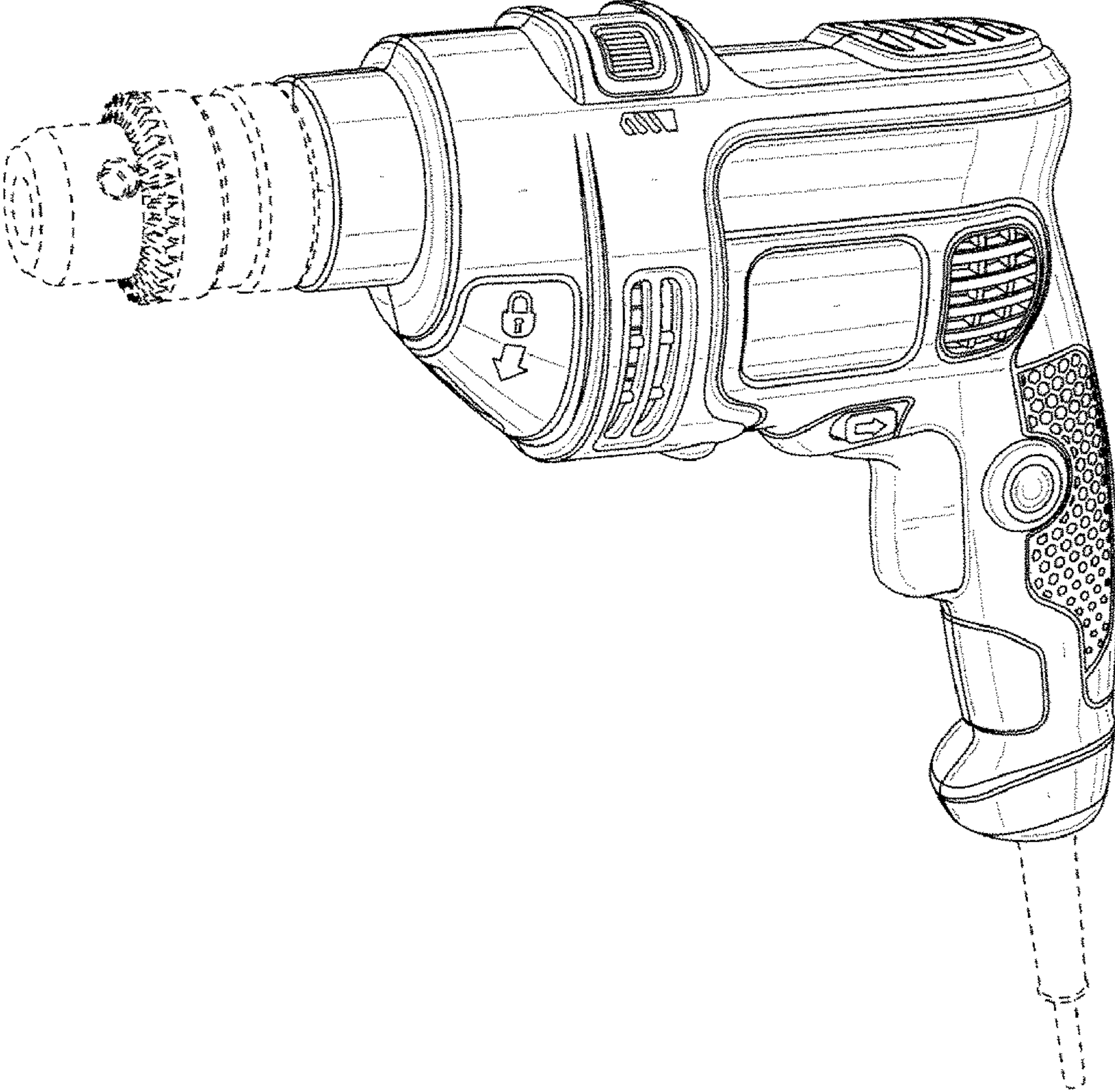


FIG. 1

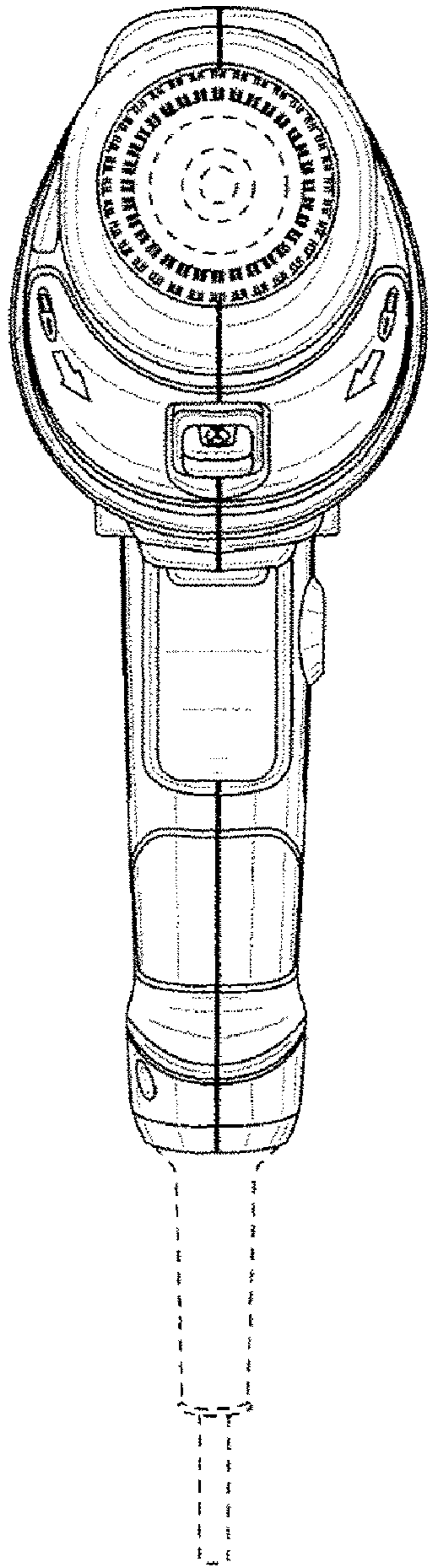


FIG. 2

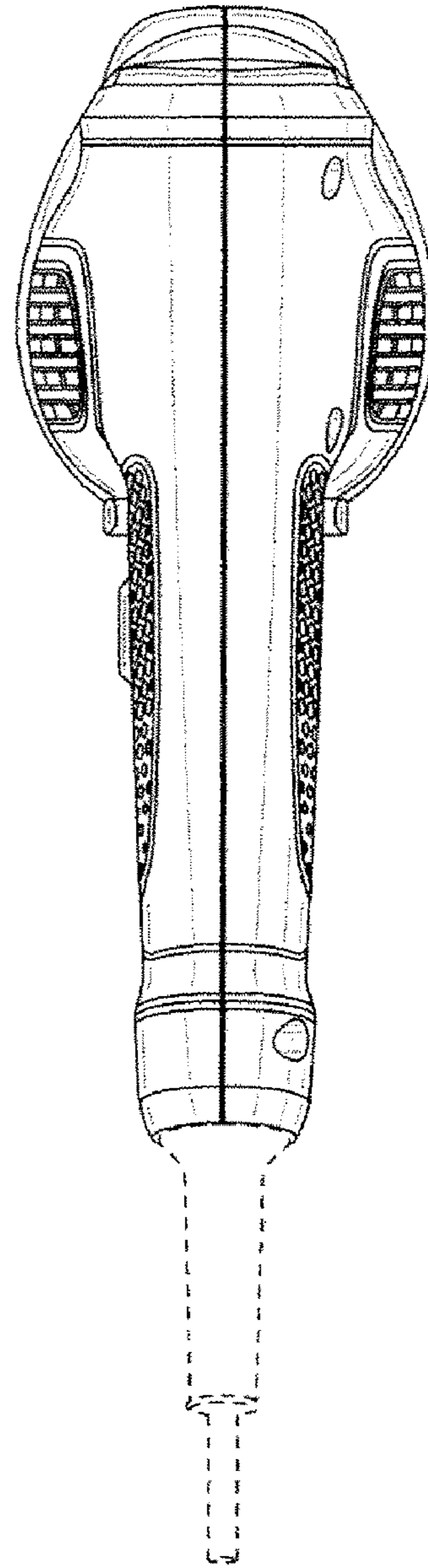


FIG. 3

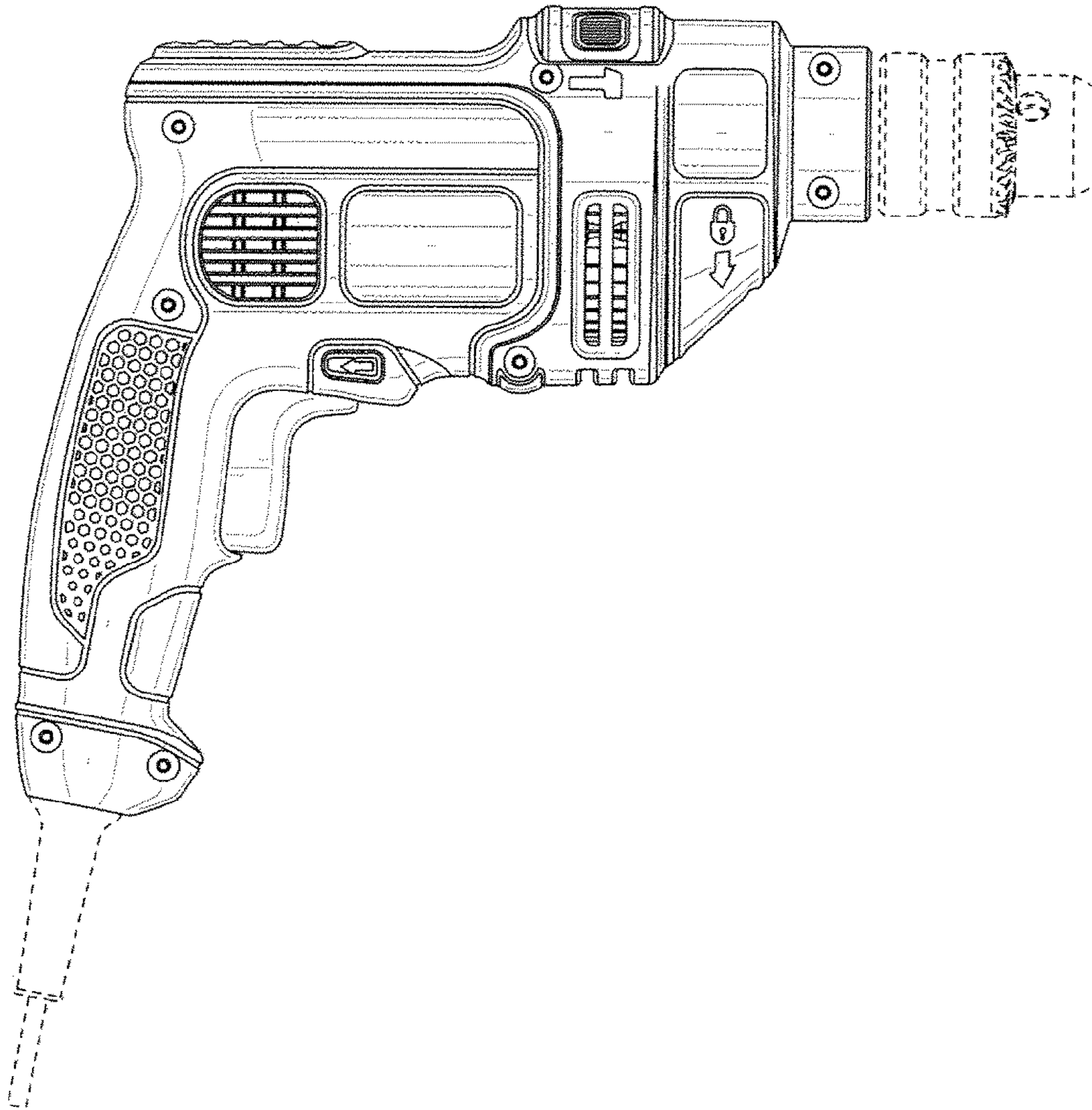


FIG. 4

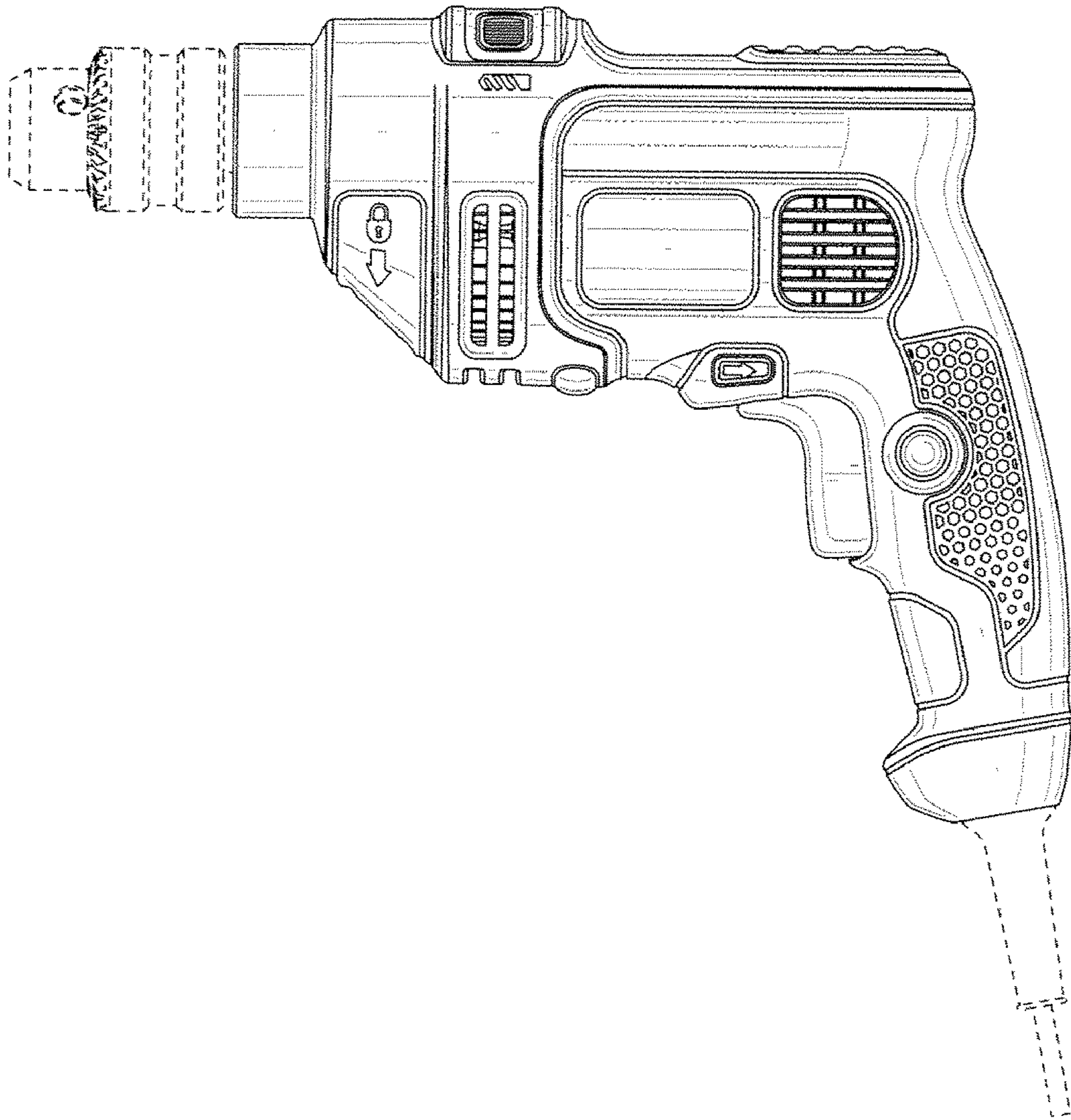


FIG. 5

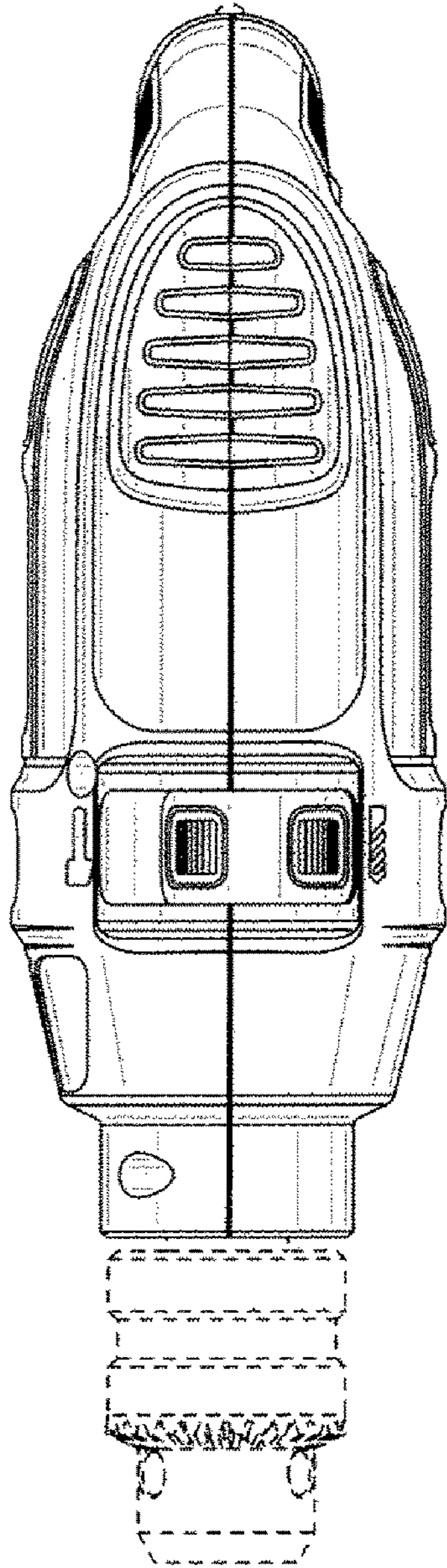


FIG. 6

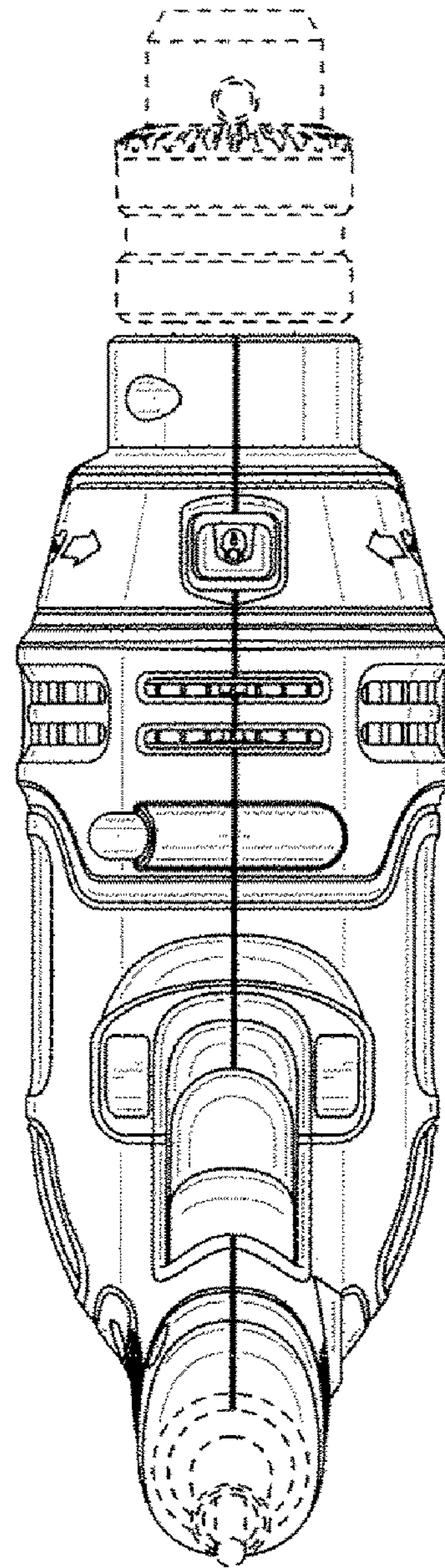


FIG. 7