

US00D645314S

(12) **United States Design Patent**
Yuan

(10) **Patent No.:** **US D645,314 S**

(45) **Date of Patent:** **** Sep. 20, 2011**

(54) **STAPLE REMOVER**

(75) **Inventor:** **Fang Yuan, Ningbo (CN)**

(73) **Assignee:** **Beifa Group Co., Ltd., Ningbo (CN)**

(**) **Term:** **14 Years**

(21) **Appl. No.:** **29/390,916**

(22) **Filed:** **Apr. 29, 2011**

(30) **Foreign Application Priority Data**

Oct. 29, 2010 (CN) 2010 3 0581892

(51) **LOC (9) Cl.** **08-03**

(52) **U.S. Cl.** **D8/48**

(58) **Field of Classification Search** D8/98,
D8/107, 102, 103, 104, 48, 99, 41; D19/65,
D19/36; 30/DIG. 3, 294; 254/28; 7/160;
D10/2

See application file for complete search history.

(56) **References Cited**

U.S. PATENT DOCUMENTS

D181,226 S *	10/1957	Pankonin	D8/48
D181,229 S *	10/1957	Pankonin	D8/48
D281,662 S *	12/1985	Augustin	D8/48
4,784,370 A *	11/1988	Strickland	254/28
4,921,216 A *	5/1990	Krulich	254/28
5,085,404 A *	2/1992	Thieleke et al.	254/28

5,292,106 A *	3/1994	Li	254/28
5,354,033 A *	10/1994	Cheldin	254/28
D352,217 S *	11/1994	Hochfeld et al.	D8/48
5,513,833 A *	5/1996	Kirk	254/28
5,657,965 A *	8/1997	Arias	254/28
5,875,503 A *	3/1999	Cheldin	7/160
5,918,859 A *	7/1999	Qian	254/28
5,938,178 A *	8/1999	Oh	254/28
6,145,811 A *	11/2000	Cheldin	254/28
D463,724 S *	10/2002	Jacquet	D8/48
D596,010 S *	7/2009	Cheldin	D8/104

* cited by examiner

Primary Examiner — Austin Murphy

(74) *Attorney, Agent, or Firm* — Christensen O'Connor Johnson Kindness PLLC

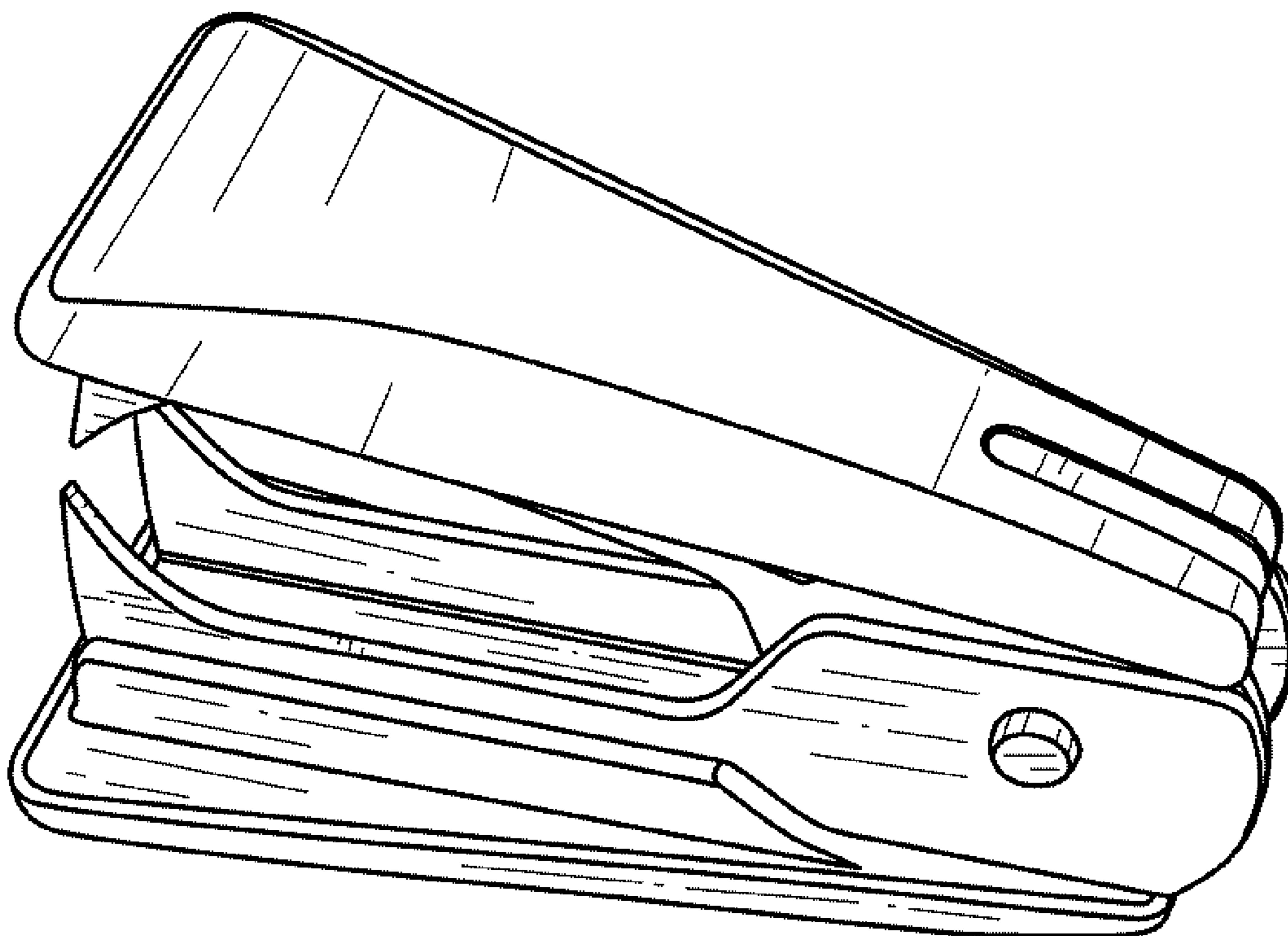
(57) **CLAIM**

The ornamental design for a staple remover, as shown and described.

DESCRIPTION

FIG. 1 is an upper rear right perspective view of a staple remover showing my new design;
FIG. 2 is a front elevation view thereof;
FIG. 3 is a rear elevation view thereof;
FIG. 4 is a right side elevation view thereof, with the left side elevation view being a mirror image of the right side elevation view;
FIG. 5 is a top plan view thereof; and,
FIG. 6 is a bottom plan view thereof.

1 Claim, 4 Drawing Sheets



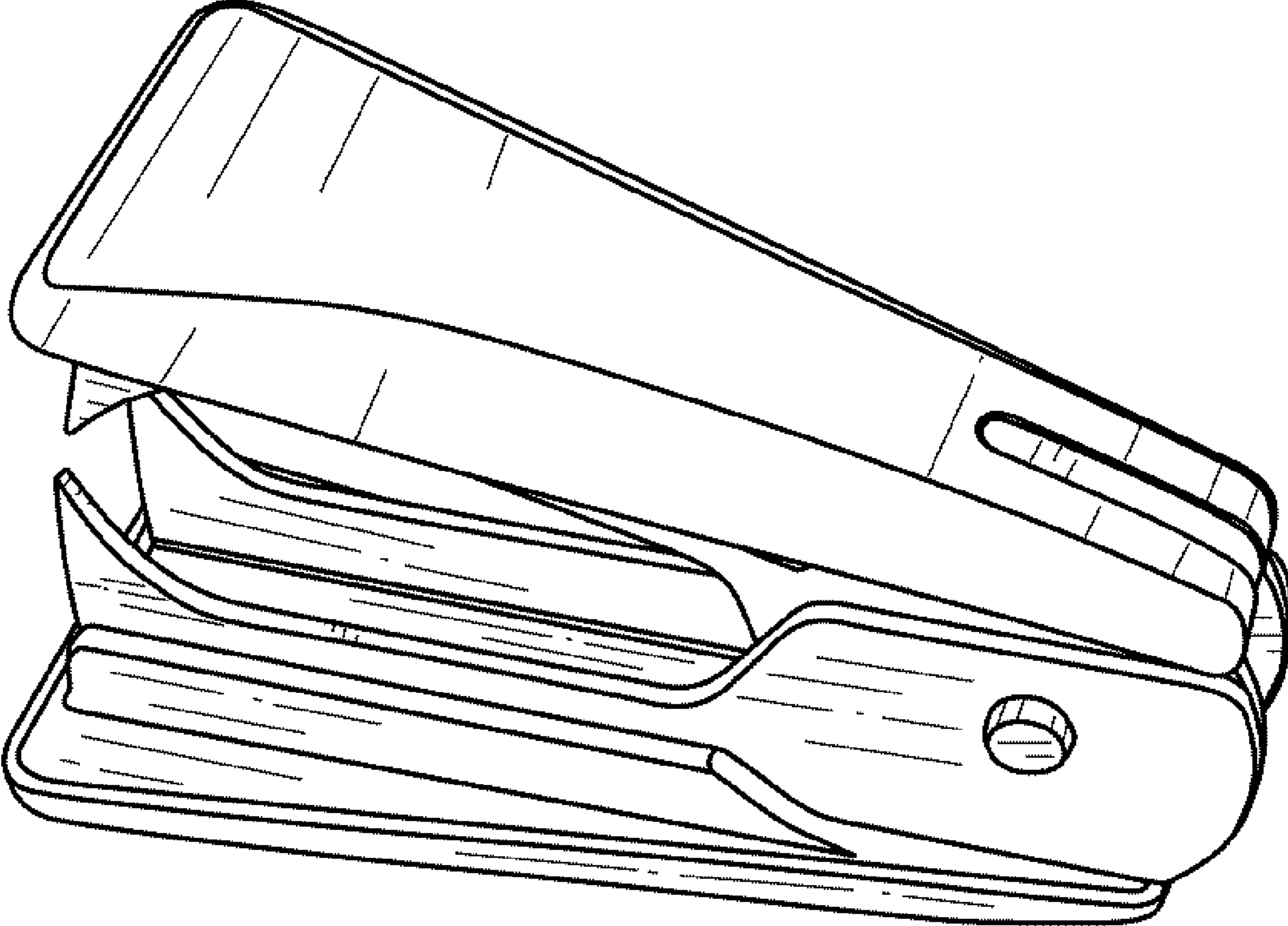


Fig. 1.

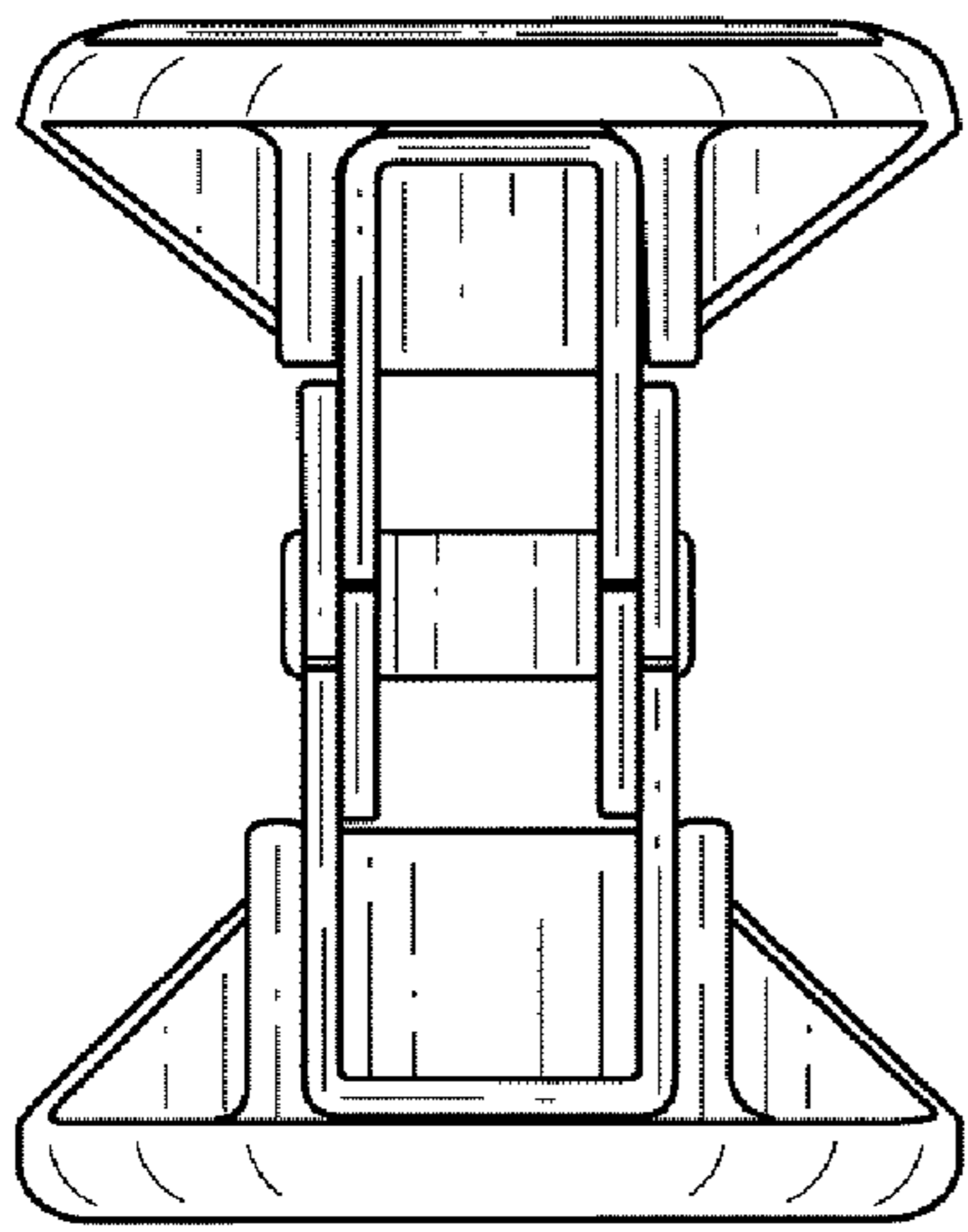


Fig. 2.

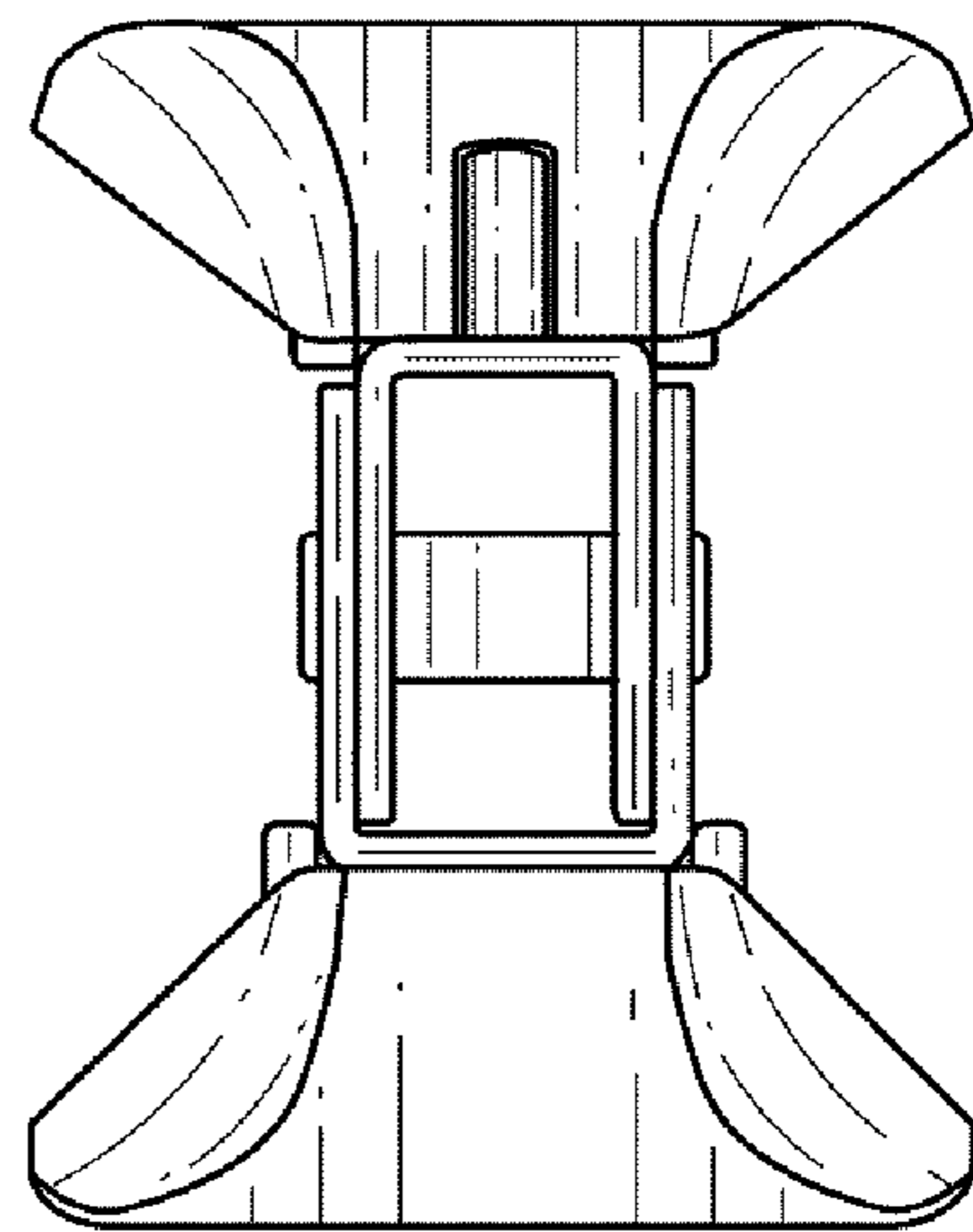


Fig. 3.

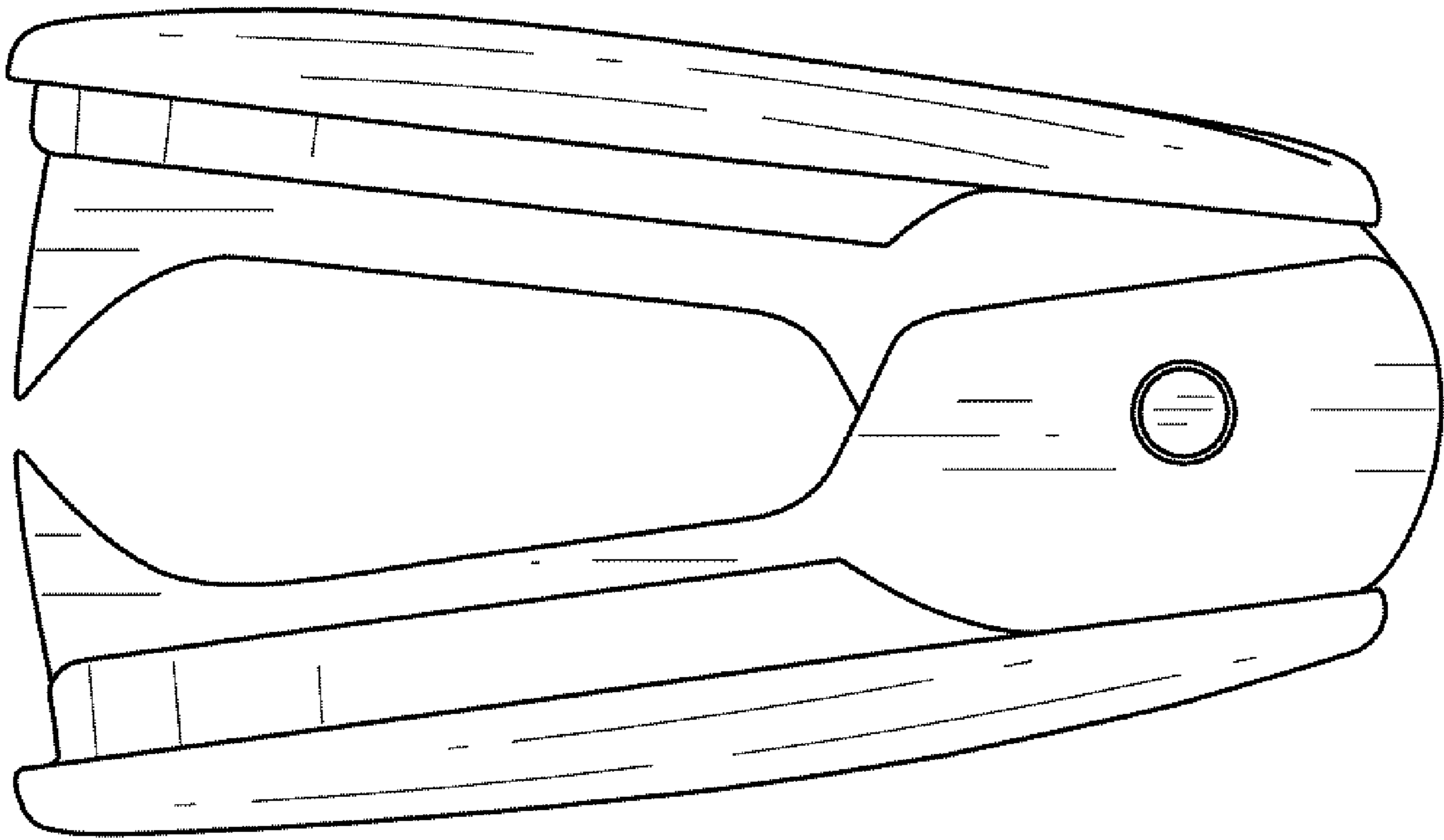


Fig. 4.

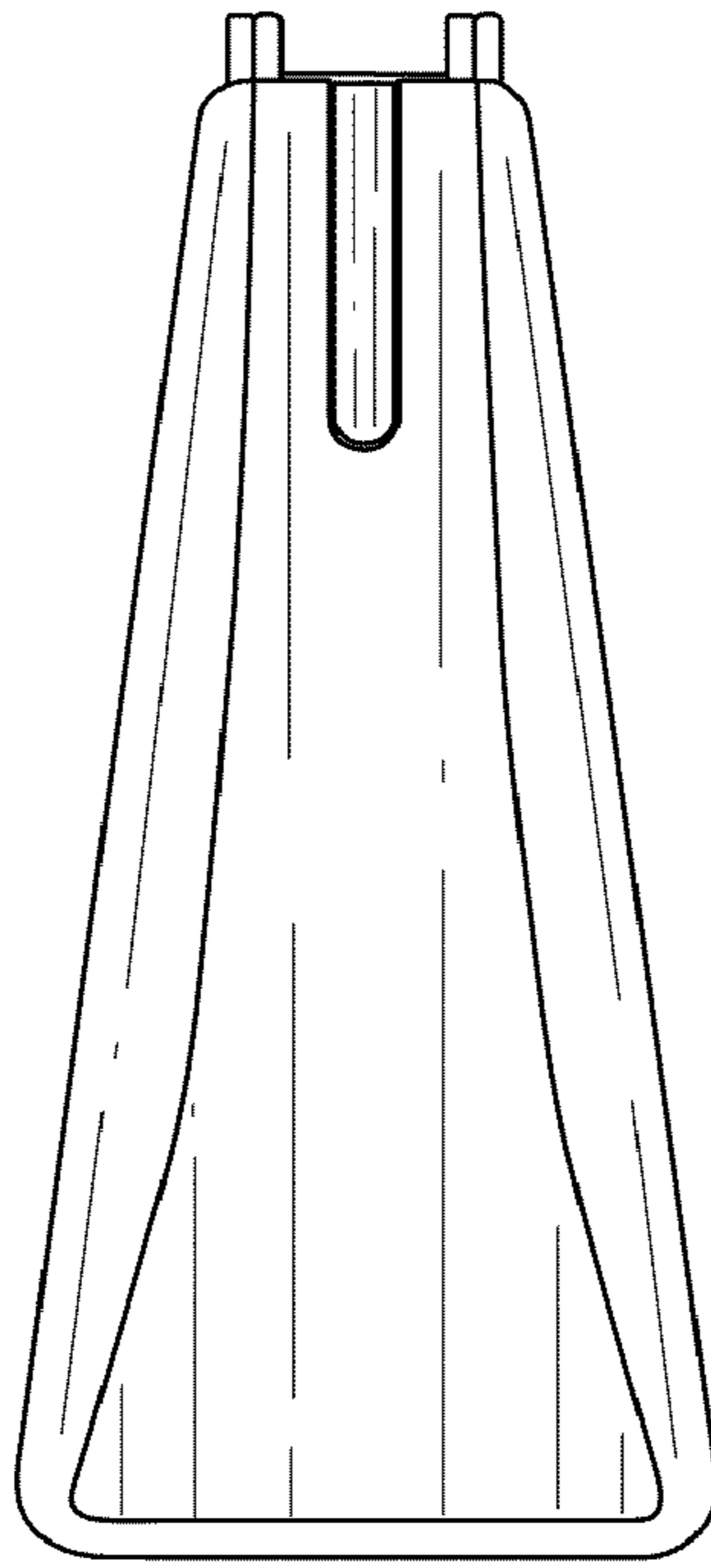


Fig. 5.

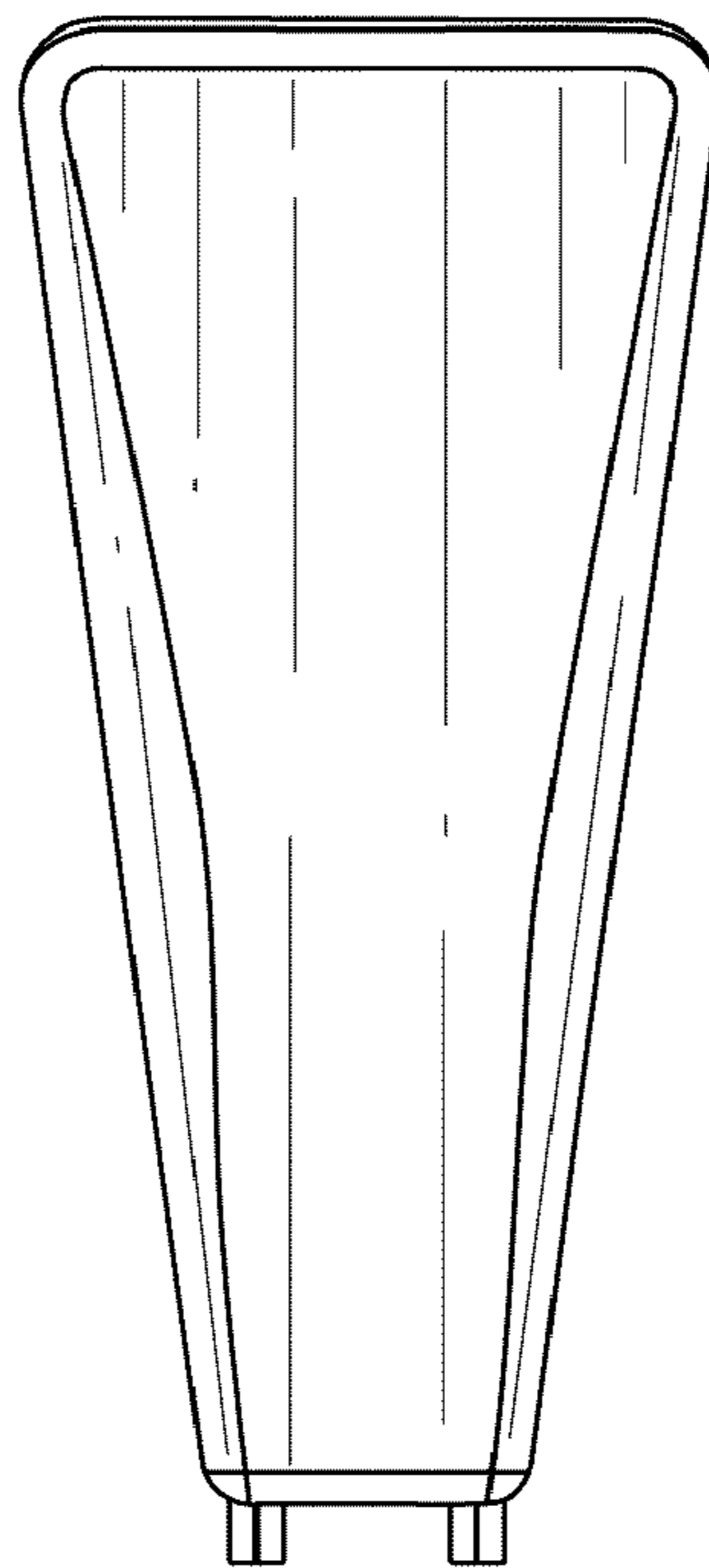


Fig. 6.