



US00D645313S

(12) **United States Design Patent**
Albertson et al.

(10) **Patent No.:** **US D645,313 S**

(45) **Date of Patent:** **** Sep. 20, 2011**

(54) **COMBINED KNIFE AND DEFLECTOR**

(76) Inventors: **Robert V. Albertson**, Alma, WI (US);
Deah L. Udell, Wayzata, MN (US)

(**) Term: **14 Years**

(21) Appl. No.: **29/370,537**

(22) Filed: **Aug. 2, 2010**

(51) **LOC (9) Cl.** **08-01**

(52) **U.S. Cl.** **D8/8**

(58) **Field of Classification Search** D8/1, 7,
D8/11, 8, 349, 354, 382; 30/276, 347; 56/12.7;
D15/17; 248/200, 300

See application file for complete search history.

(56) **References Cited**

U.S. PATENT DOCUMENTS

2,945,543	A *	7/1960	Beyer	172/376
D268,640	S *	4/1983	Bonforte	D8/8
D268,641	S *	4/1983	Bonforte	D15/17
D342,874	S *	1/1994	Groves	D8/1
D347,150	S *	5/1994	Falconbridge	D8/8
5,394,612	A *	3/1995	Wolfington	30/347
D357,482	S *	4/1995	Forbush	D15/17
D389,382	S *	1/1998	Houle	D8/8
D391,815	S *	3/1998	Venezio	D8/13

D395,383	S *	6/1998	Mohindru	D8/7
D408,696	S *	4/1999	Simpson, Sr.	D8/1
6,658,741	B2	12/2003	Paluszek	
D588,881	S *	3/2009	Spencer	D8/7
D628,034	S *	11/2010	Albertson et al.	D8/8

* cited by examiner

Primary Examiner — Holly Baynham

Assistant Examiner — Sheryl Lane

(74) *Attorney, Agent, or Firm* — Richard John Bartz

(57) **CLAIM**

We claim the ornamental design for the combined knife and deflector, as shown and described.

DESCRIPTION

FIG. 1 is a perspective view of the combined knife and deflector of our design;

FIG. 2 is a front elevational view thereof;

FIG. 3 is a top plan view thereof;

FIG. 4 is a bottom plan view thereof;

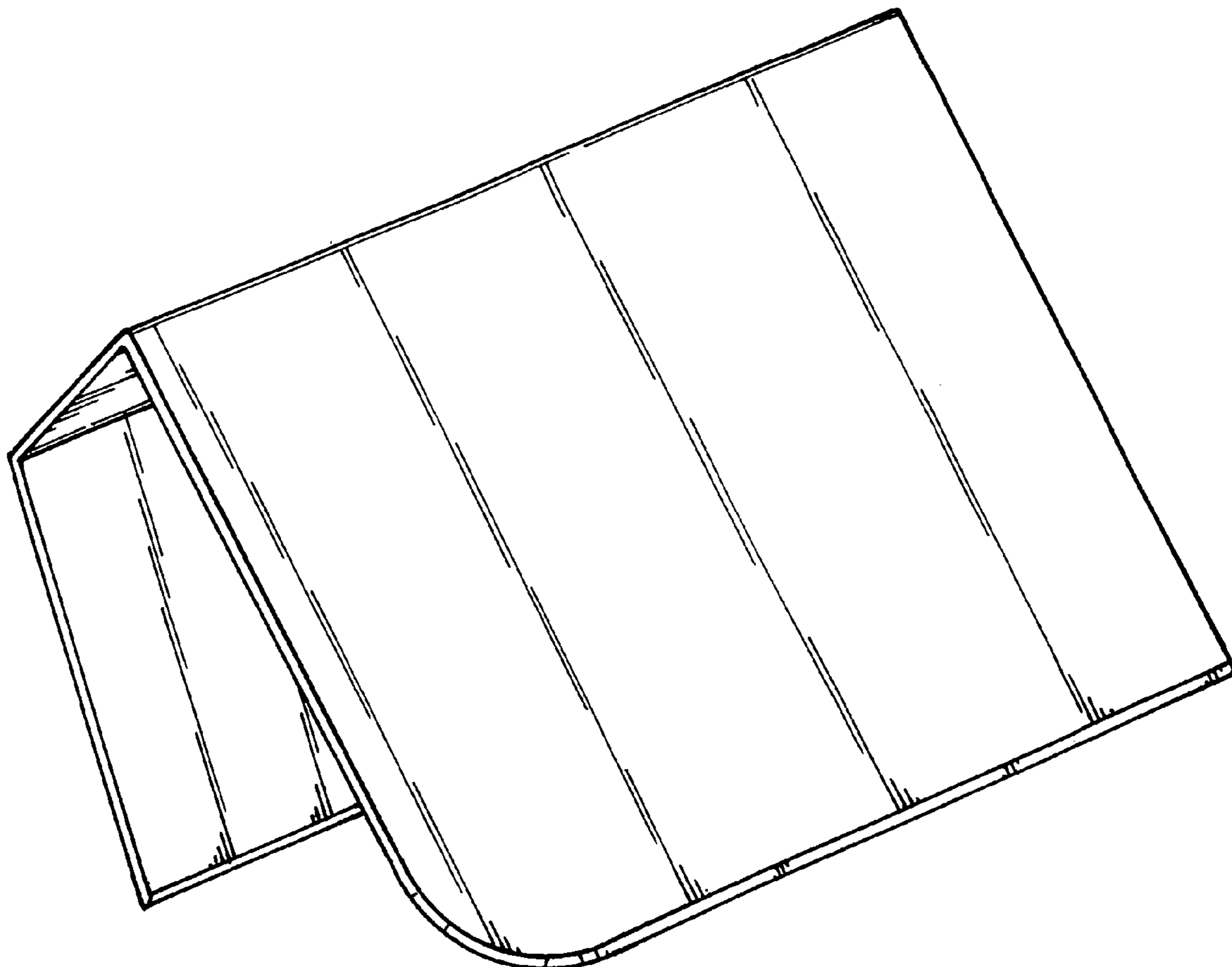
FIG. 5 is a side elevational view of the left side thereof;

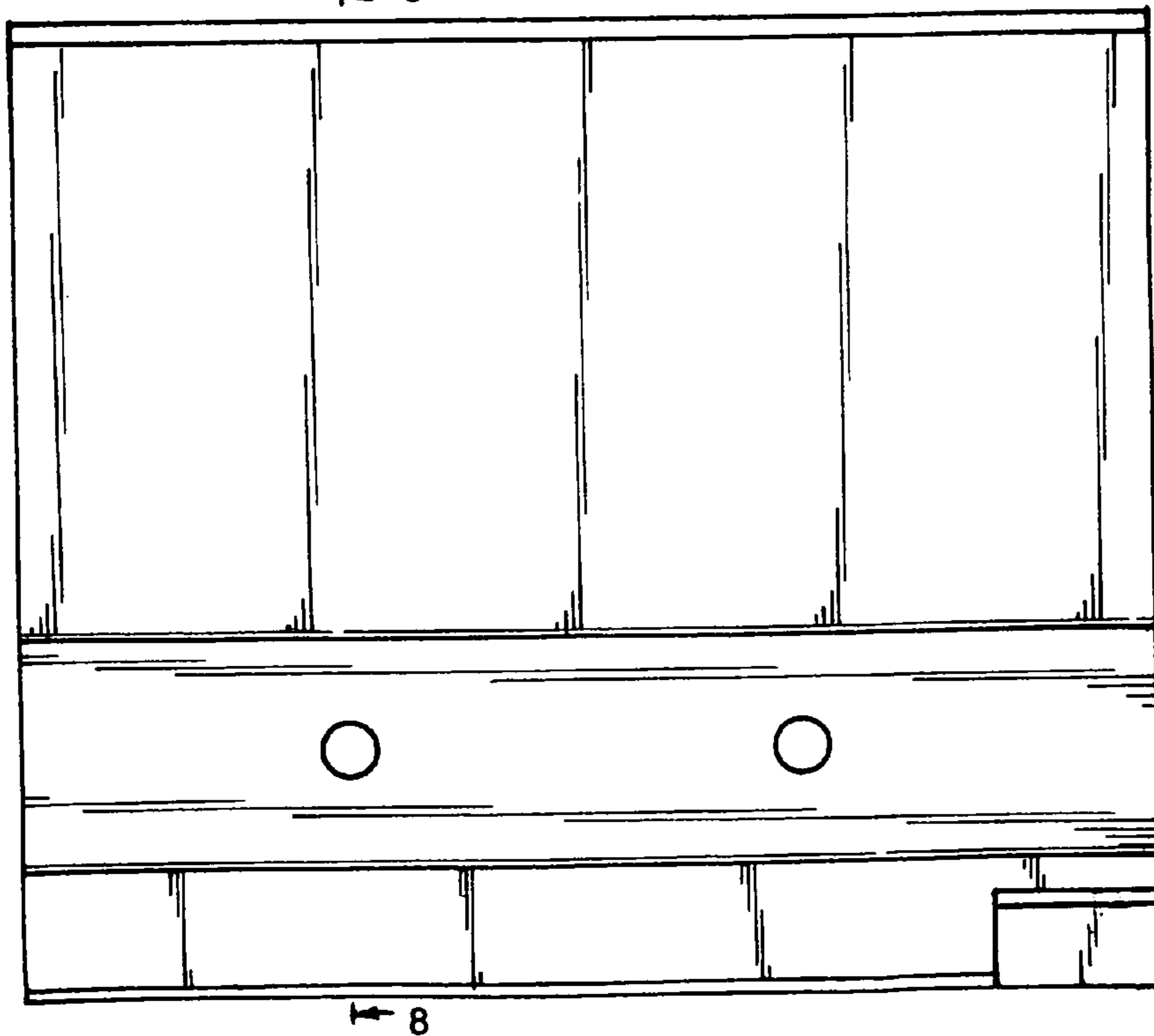
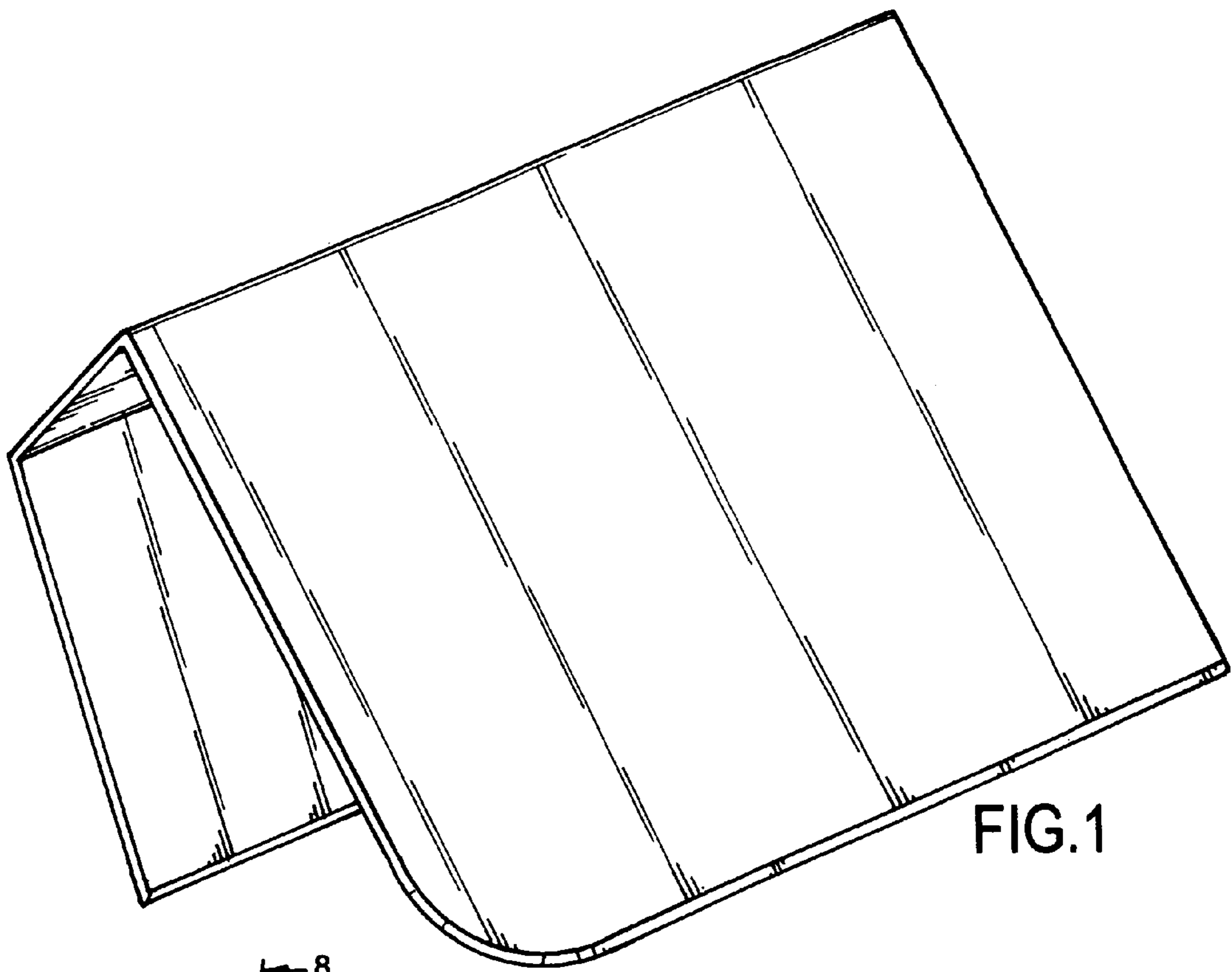
FIG. 6 is a side elevational view of the right side thereof;

FIG. 7 is a rear elevational view thereof; and,

FIG. 8 is a sectional view taken along line 8-8 of FIG. 2.

1 Claim, 4 Drawing Sheets





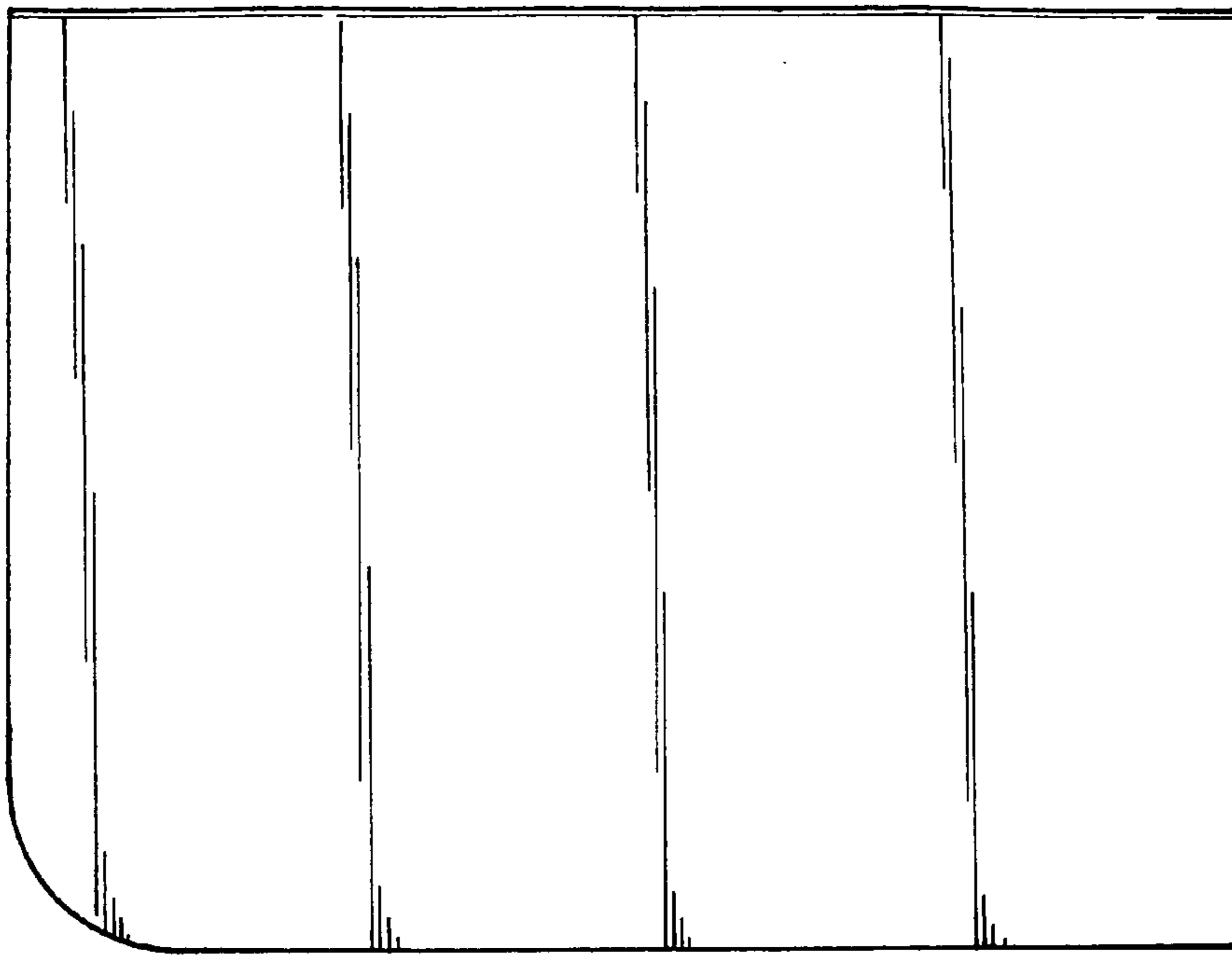


FIG.3

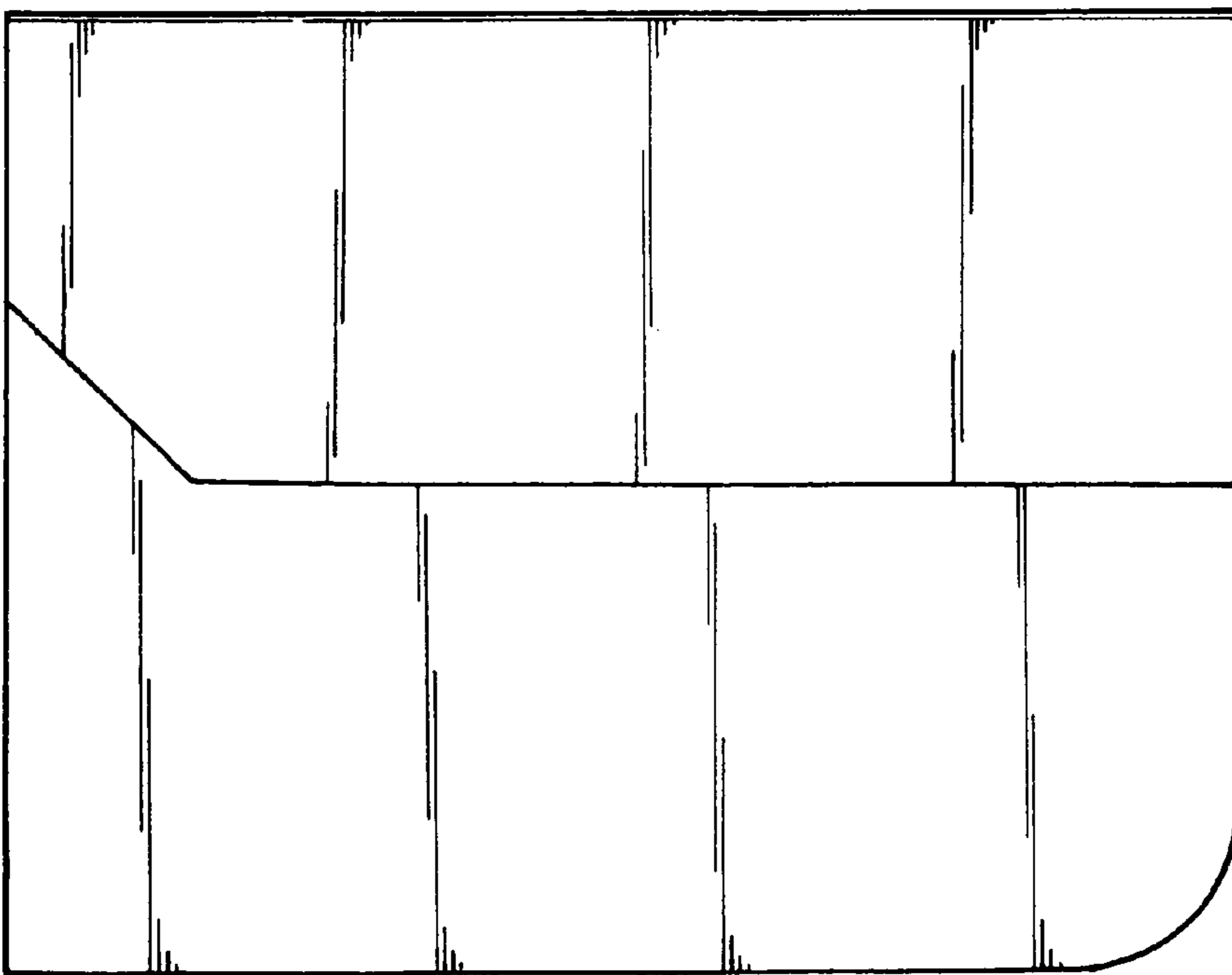


FIG.4

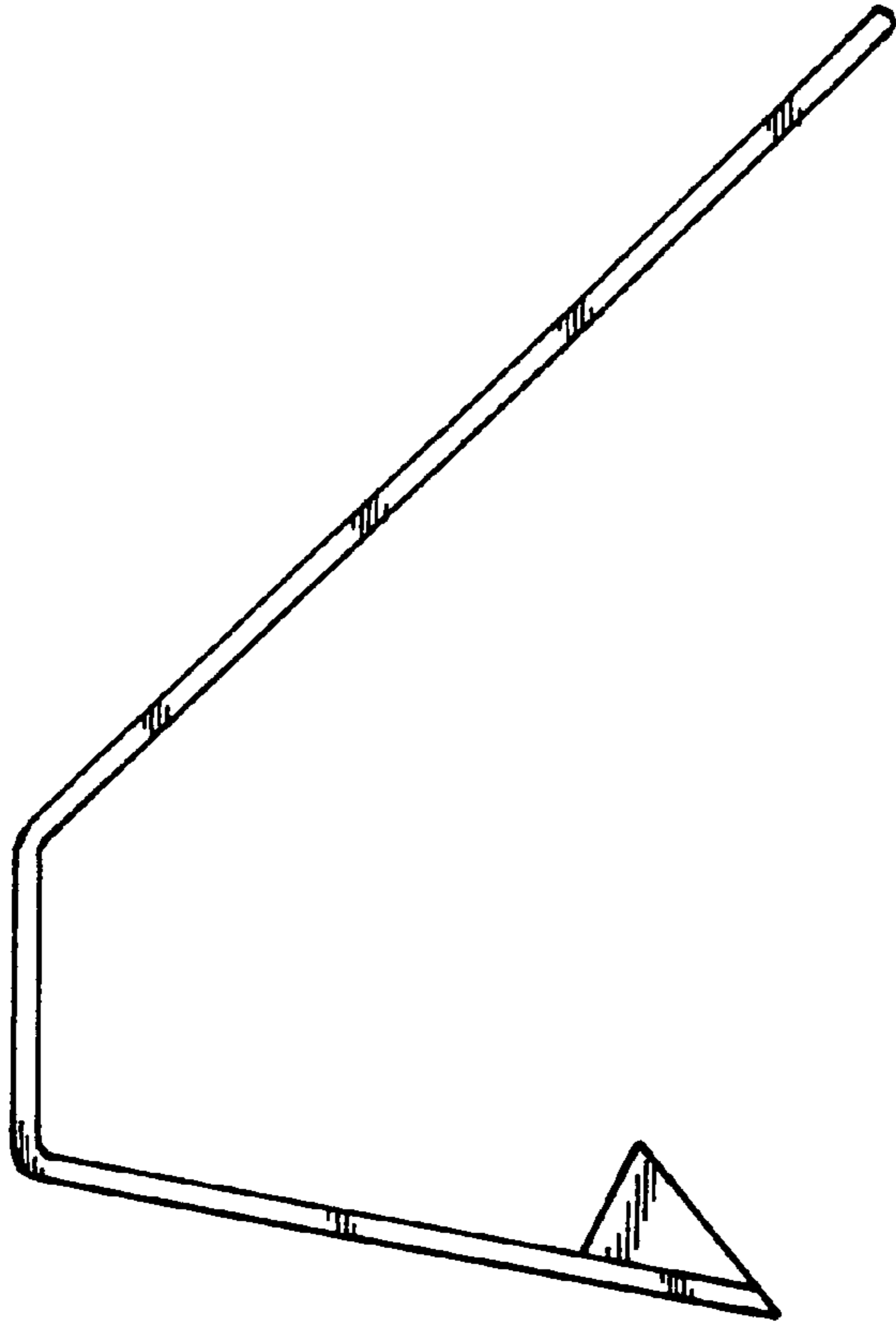


FIG. 5

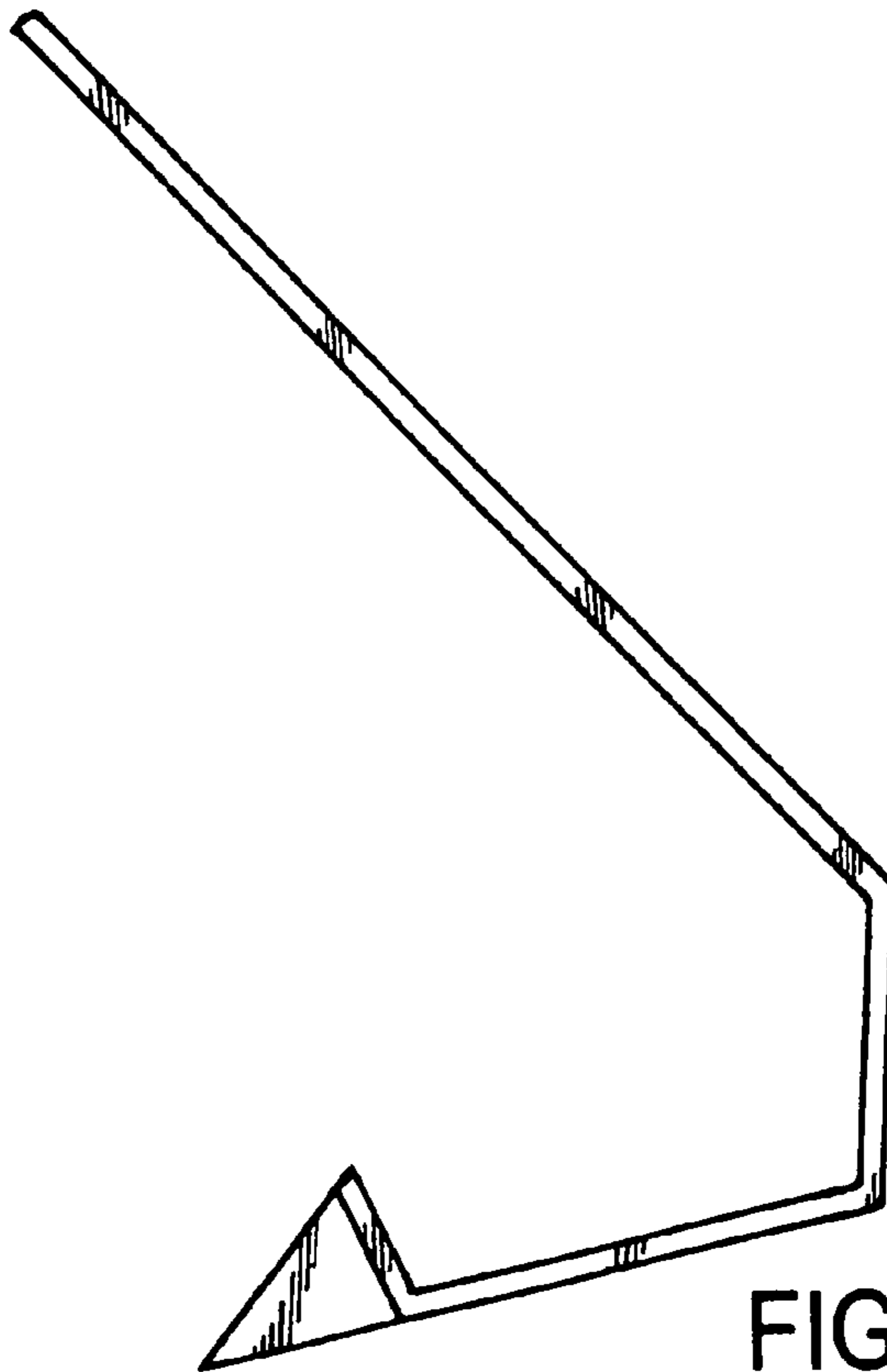


FIG. 6

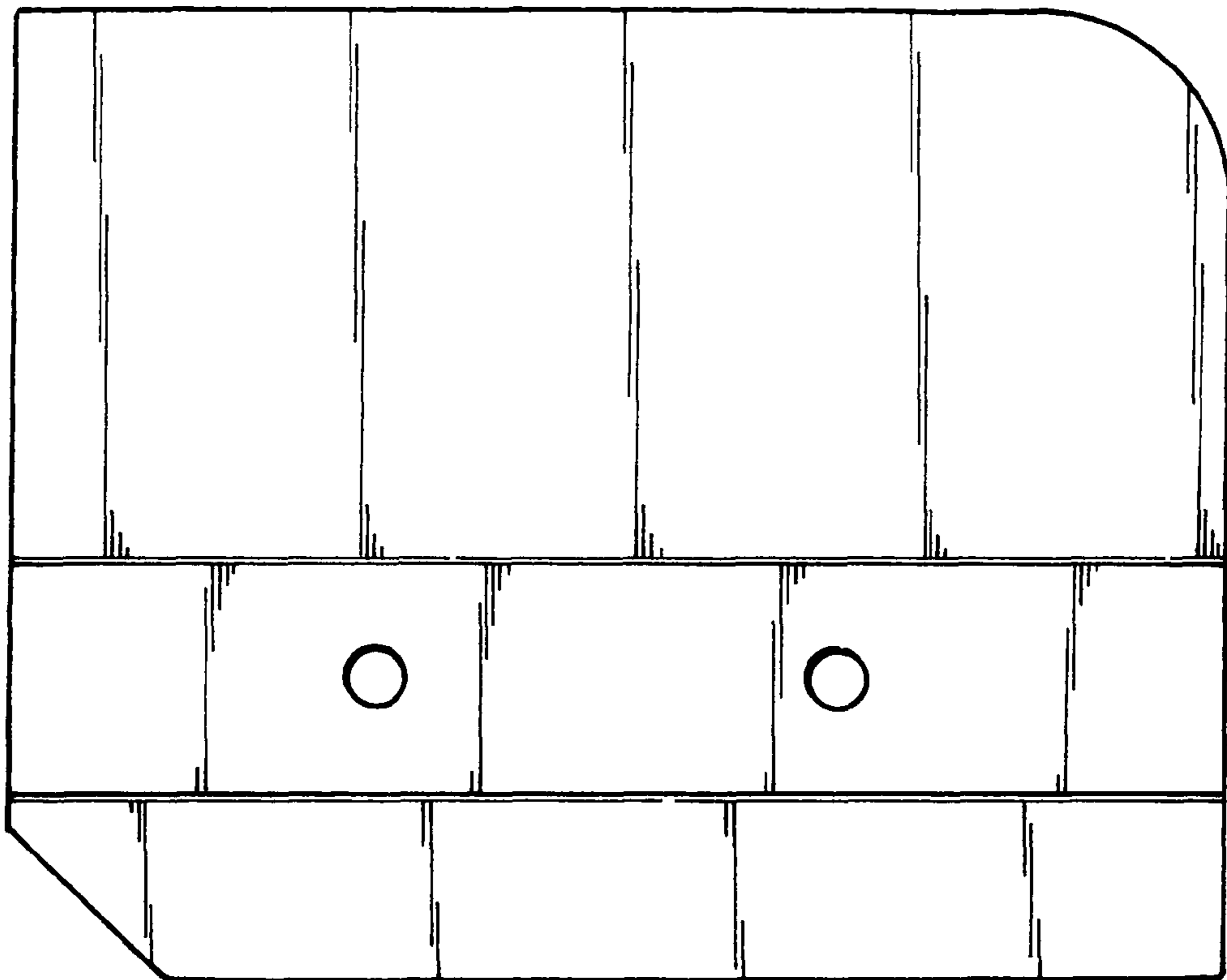


FIG. 7

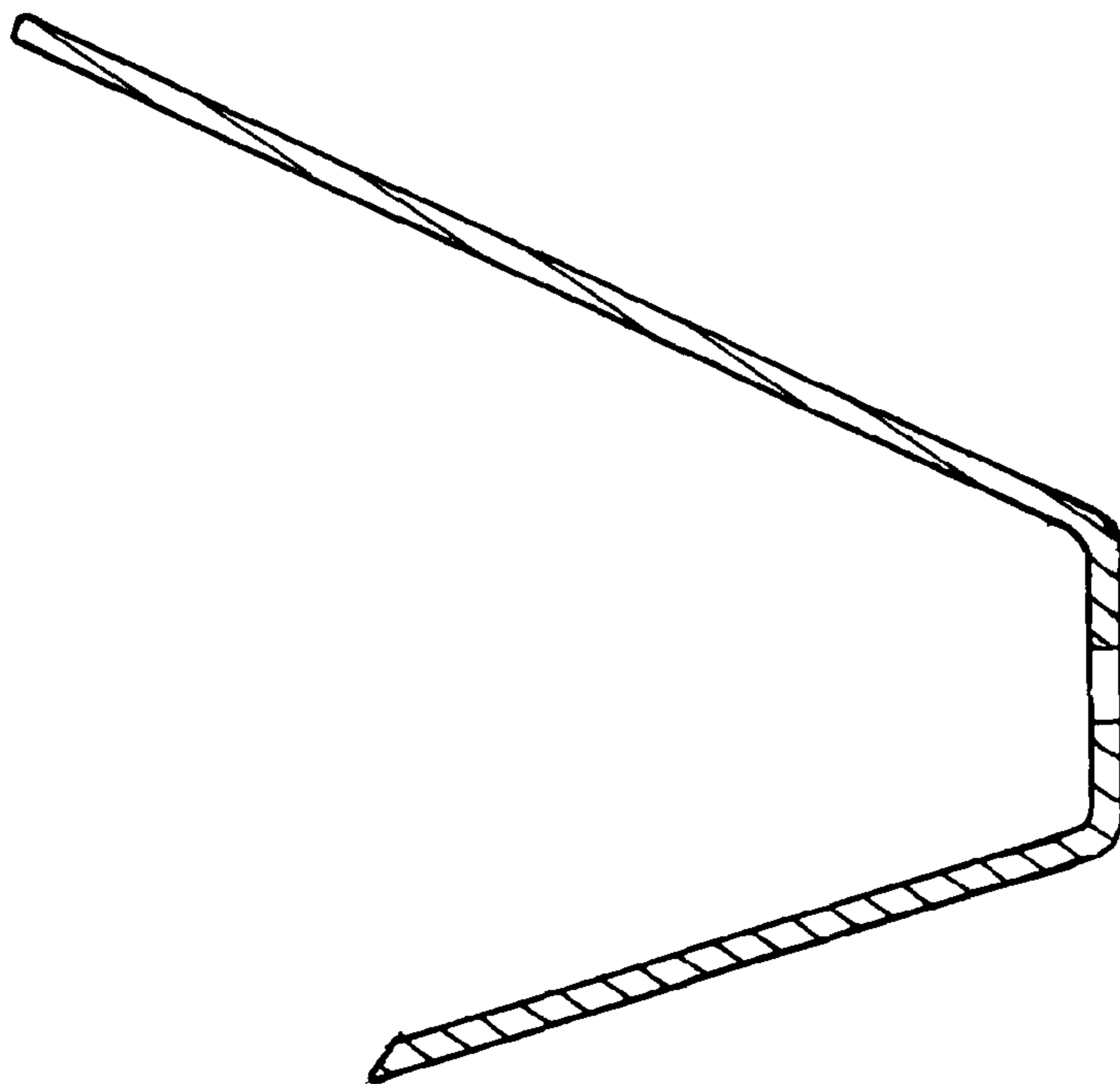


FIG. 8