



US00D645305S

(12) **United States Design Patent**
Hadley

(10) **Patent No.:** **US D645,305 S**

(45) **Date of Patent:** **** Sep. 20, 2011**

(54) **BOTTLE**

(75) **Inventor:** **Gary W. Hadley**, San Clemente, CA (US)

(73) **Assignee:** **I.D. Gear Inc.**, Aliso Viejo, CA (US)

(**) **Term:** **14 Years**

(21) **Appl. No.:** **29/357,889**

(22) **Filed:** **Mar. 18, 2010**

(51) **LOC (9) Cl.** **07-01**

(52) **U.S. Cl.** **D7/396.2; D7/510; D7/624.2**

(58) **Field of Classification Search** **D7/396.2, D7/510, 511, 509, 624.2, 392.1, 387, 607, D7/608, 529; D20/11; 220/703, 592.16, 220/592.17; 215/387; D9/716, 719, 776**

See application file for complete search history.

(56) **References Cited**

U.S. PATENT DOCUMENTS

D346,308 S *	4/1994	Cautereels et al.	D7/509
D359,654 S	6/1995	Westgerdes		
D373,706 S	9/1996	Gregg		
D391,448 S	3/1998	Winer et al.		
D407,270 S *	3/1999	Wilson	D7/529
D430,456 S *	9/2000	Thuma	D7/509
D433,729 S	11/2000	Poirier et al.		

(Continued)

Primary Examiner — Cynthia Underwood

(74) *Attorney, Agent, or Firm* — Knobbe, Martens, Olson & Bear, LLP

(57) **CLAIM**

The ornamental design for a bottle, as shown and described.

DESCRIPTION

FIG. 1 is a perspective view of an embodiment of a bottle according to the present design;

FIG. 2 is an exploded perspective view of the embodiment of FIG. 1;

FIG. 3 is a front elevational view of the embodiment of FIG. 1;

FIG. 4 is a left-side elevational view of the embodiment of FIG. 1;

FIG. 5 is a right-side elevational view of the embodiment of FIG. 1;

FIG. 6 is a top-plan view of the embodiment of FIG. 1;

FIG. 7 is a bottom-plan view of the embodiment of FIG. 1;

FIG. 8 is a perspective view of a second embodiment of the bottle according to the present design.

FIG. 9 is an exploded perspective view of the embodiment of FIG. 8;

FIG. 10 is a front elevational view of the embodiment of FIG. 8;

FIG. 11 is a left-side elevational view of the embodiment of FIG. 8;

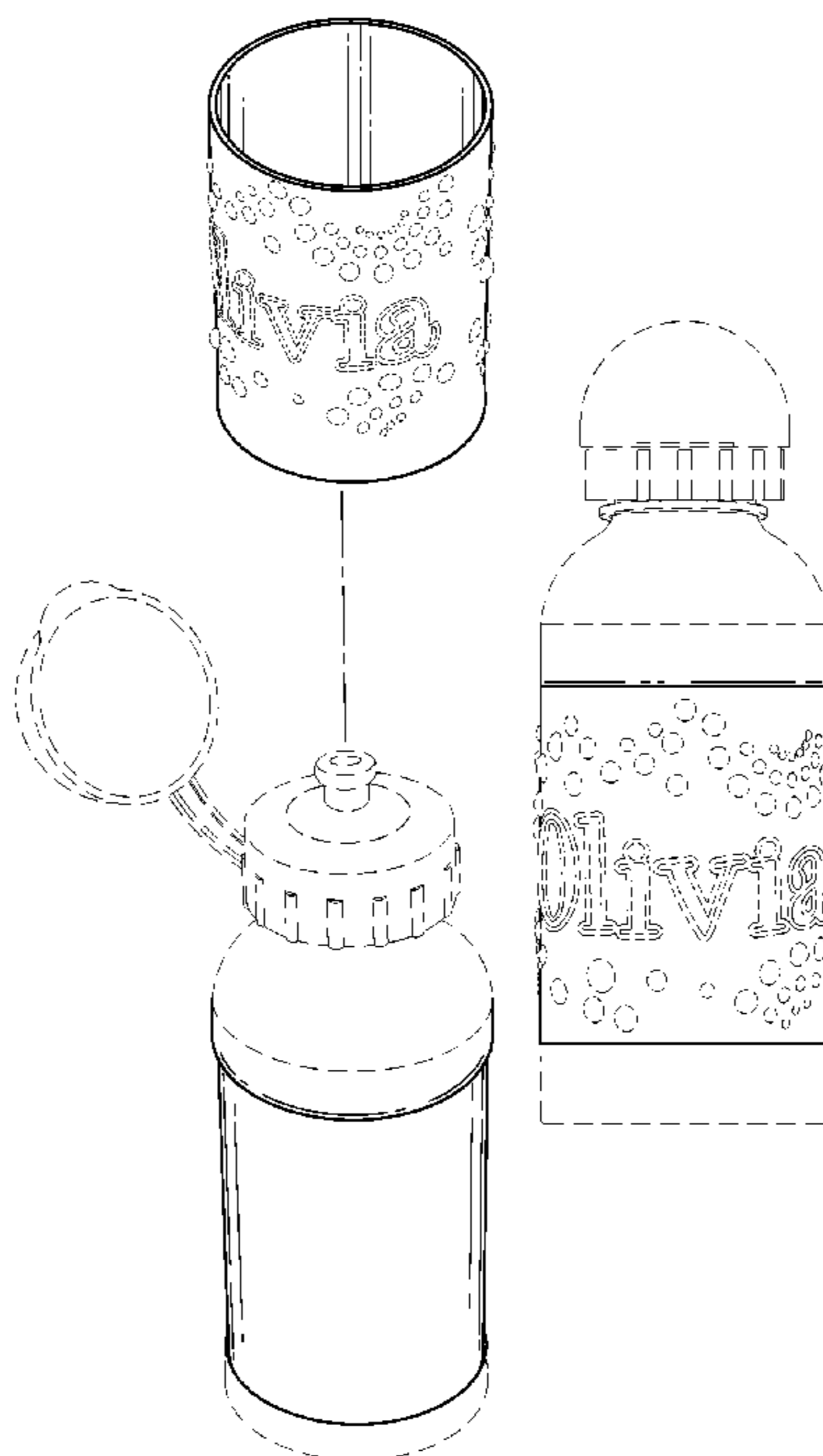
FIG. 12 is a right-side elevational view of the embodiment of FIG. 8;

FIG. 13 is a top-plan view of the embodiment of FIG. 8; and,

FIG. 14 is a bottom-plan view of the embodiment of FIG. 8. Phantom lining, where utilized, is for illustrative purposes only and is not intended to limit the claimed design to the features shown in phantom.

The broken lines are included for illustrative purposes and form no part of the claimed design. The sets of horizontal wave shaped broken lines in FIGS. 8-14 represent indeterminate claim to length.

1 Claim, 8 Drawing Sheets



US D645,305 S

Page 2

U.S. PATENT DOCUMENTS

D434,272 S *	11/2000	Johansen et al.	D7/396.6	D602,735 S	10/2009	Lown et al.	
D496,559 S	9/2004	Bodum		D611,765 S	3/2010	George	
D509,707 S	9/2005	Tien		D611,772 S *	3/2010	Silverstein et al.	D7/624.2
D527,267 S *	8/2006	Zboch et al.	D9/516	D612,202 S *	3/2010	Hillebrenner	D7/396.2
D529,338 S	10/2006	Poulson et al.		D612,671 S	3/2010	Sanchez et al.	
D536,929 S	2/2007	Kingsley		D623,474 S	9/2010	Carlson et al.	
D540,125 S *	4/2007	Hicks	D7/624.2	D623,476 S *	9/2010	Carlson et al.	D7/510
D541,596 S	5/2007	Hicks		D624,362 S *	9/2010	Wahl	D7/510
D545,129 S	6/2007	Tien		D634,159 S *	3/2011	Bodum	D7/509
D548,012 S	8/2007	Tien		D635,397 S *	4/2011	Hollis et al.	D7/396.2
D549,048 S	8/2007	Duke et al.		2004/0128877 A1	7/2004	Luedde	
D585,700 S	2/2009	Chu		2008/0078824 A1	4/2008	Spiegel et al.	
7,537,136 B2	5/2009	Hechmati		2009/0050641 A1	2/2009	Ivey	
D594,088 S	6/2009	Pritchard		2009/0057257 A1	3/2009	Marcus et al.	
D594,707 S	6/2009	Silverstein et al.					
D594,708 S *	6/2009	Silverstein et al.	D7/624.2				
D596,458 S	7/2009	McKinney					
D597,795 S	8/2009	Ford					

* cited by examiner

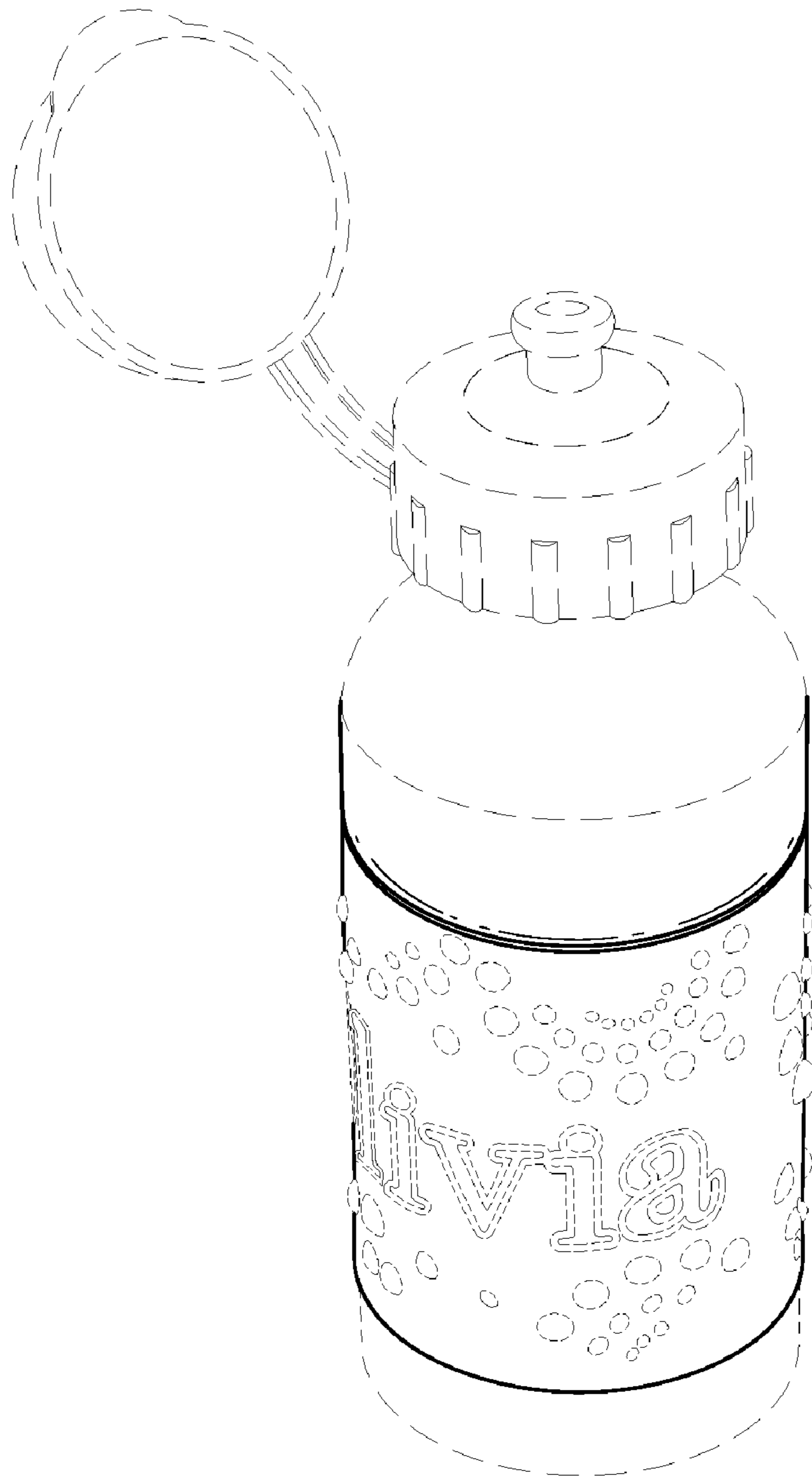
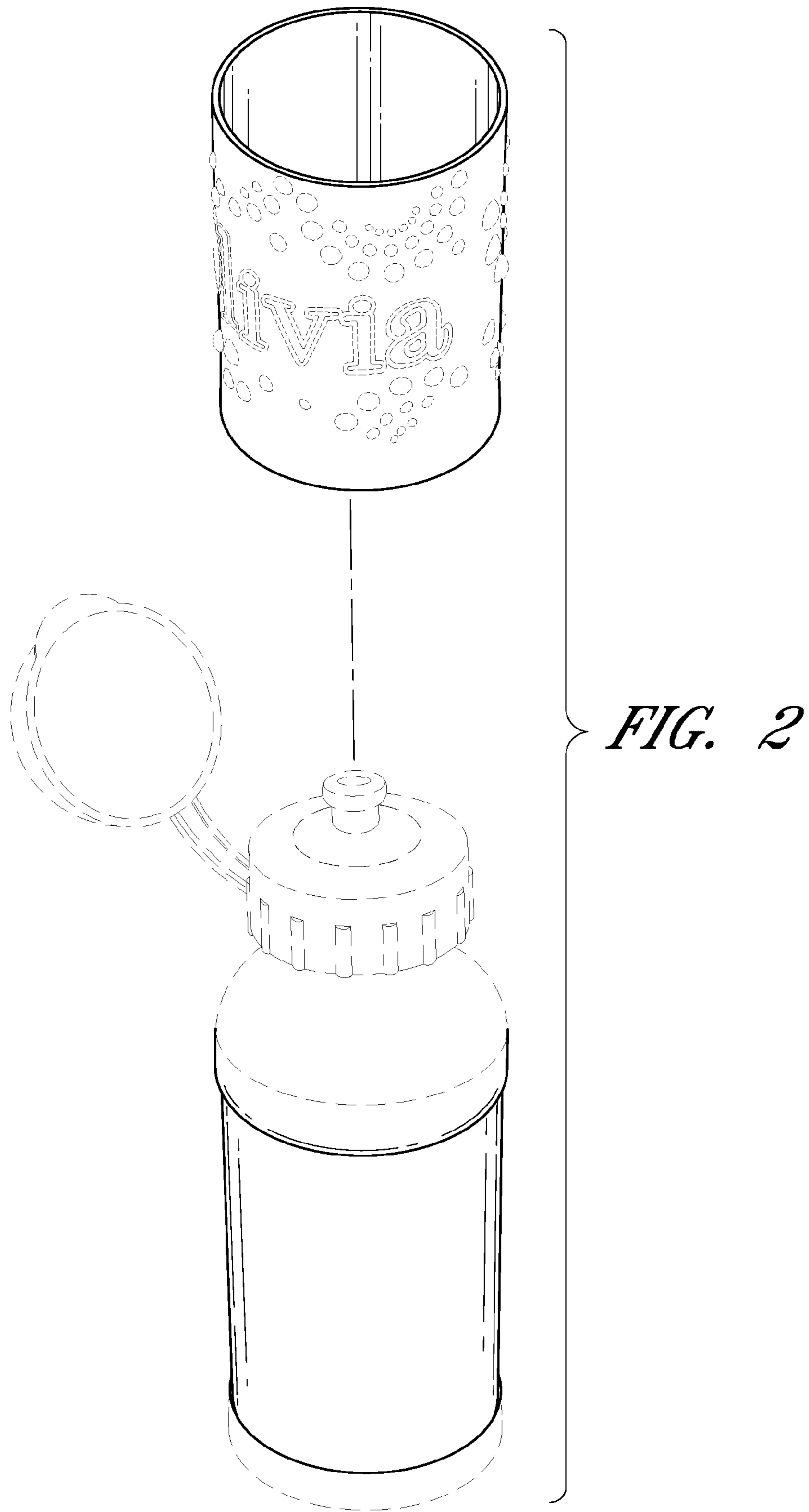


FIG. 1



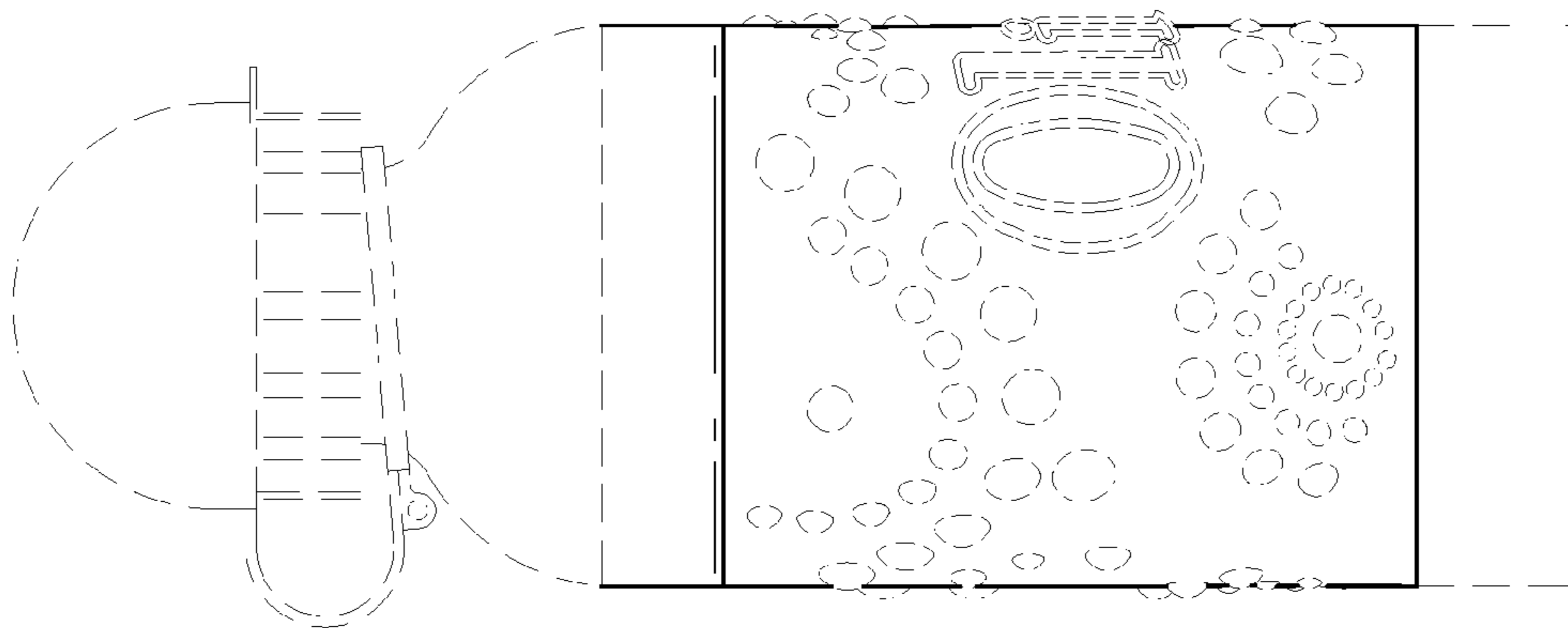


FIG. 3

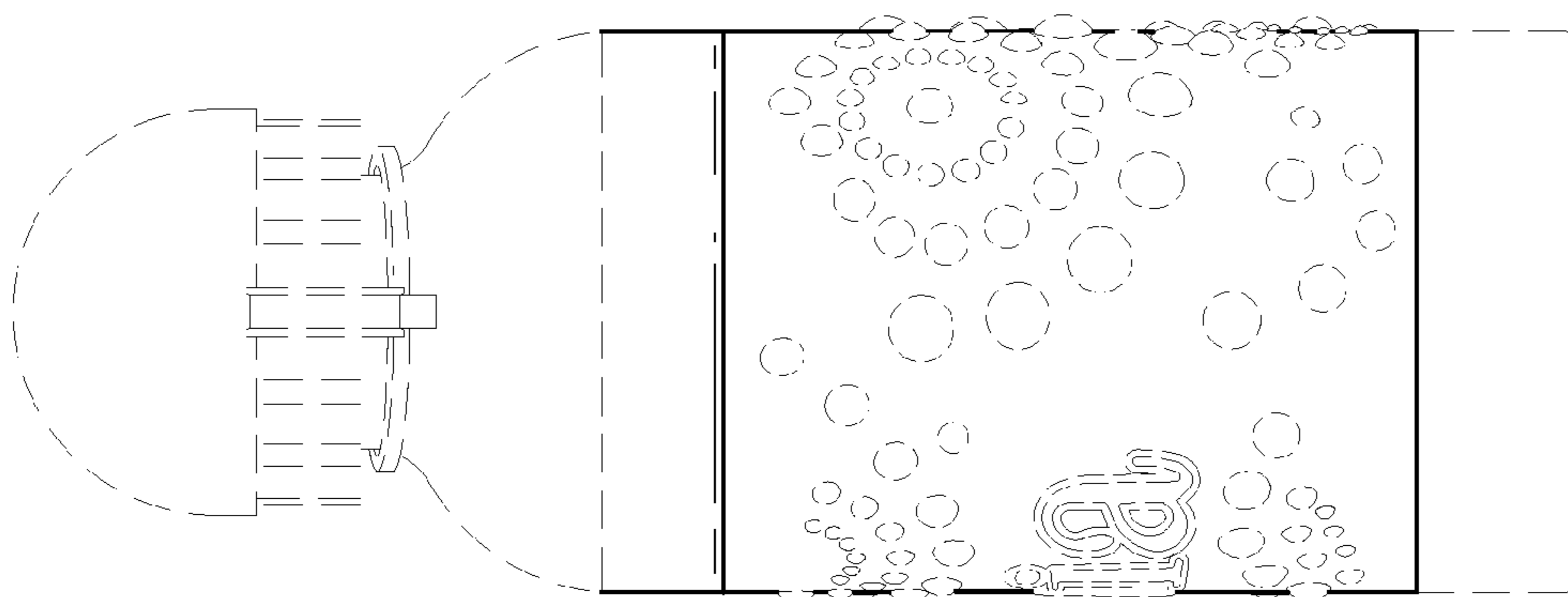


FIG. 4

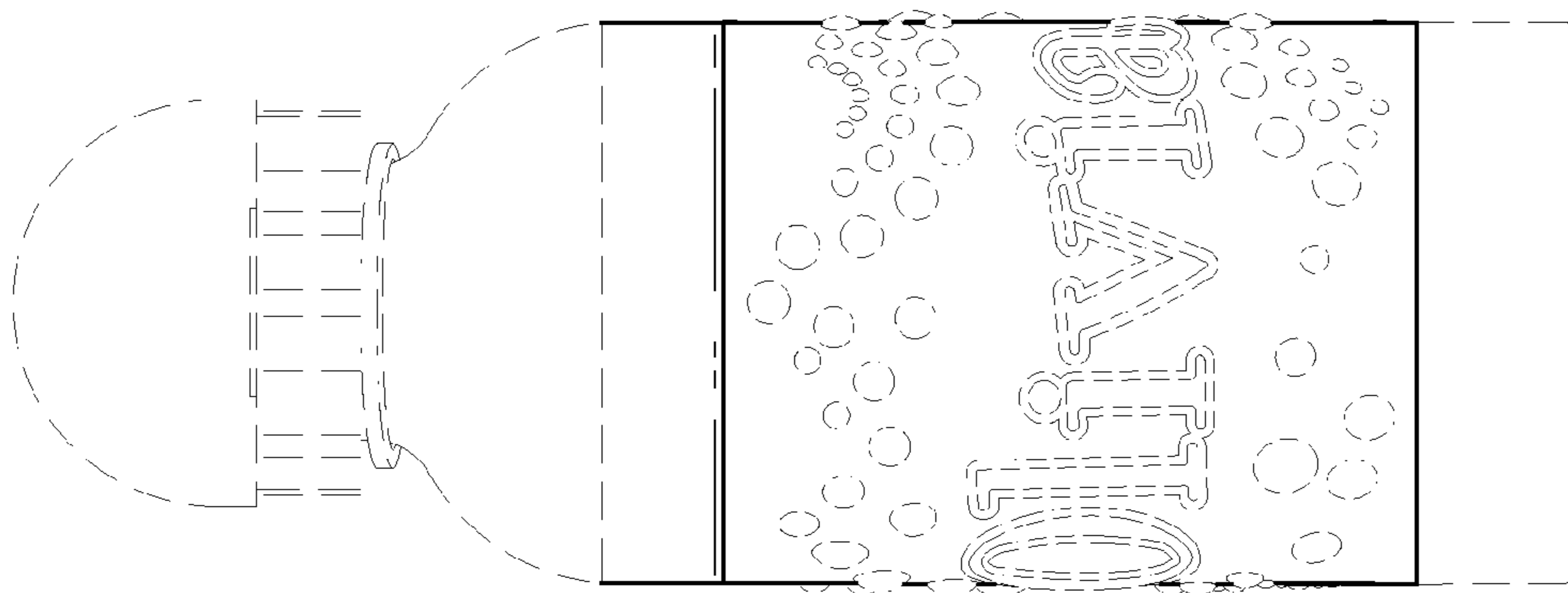


FIG. 5

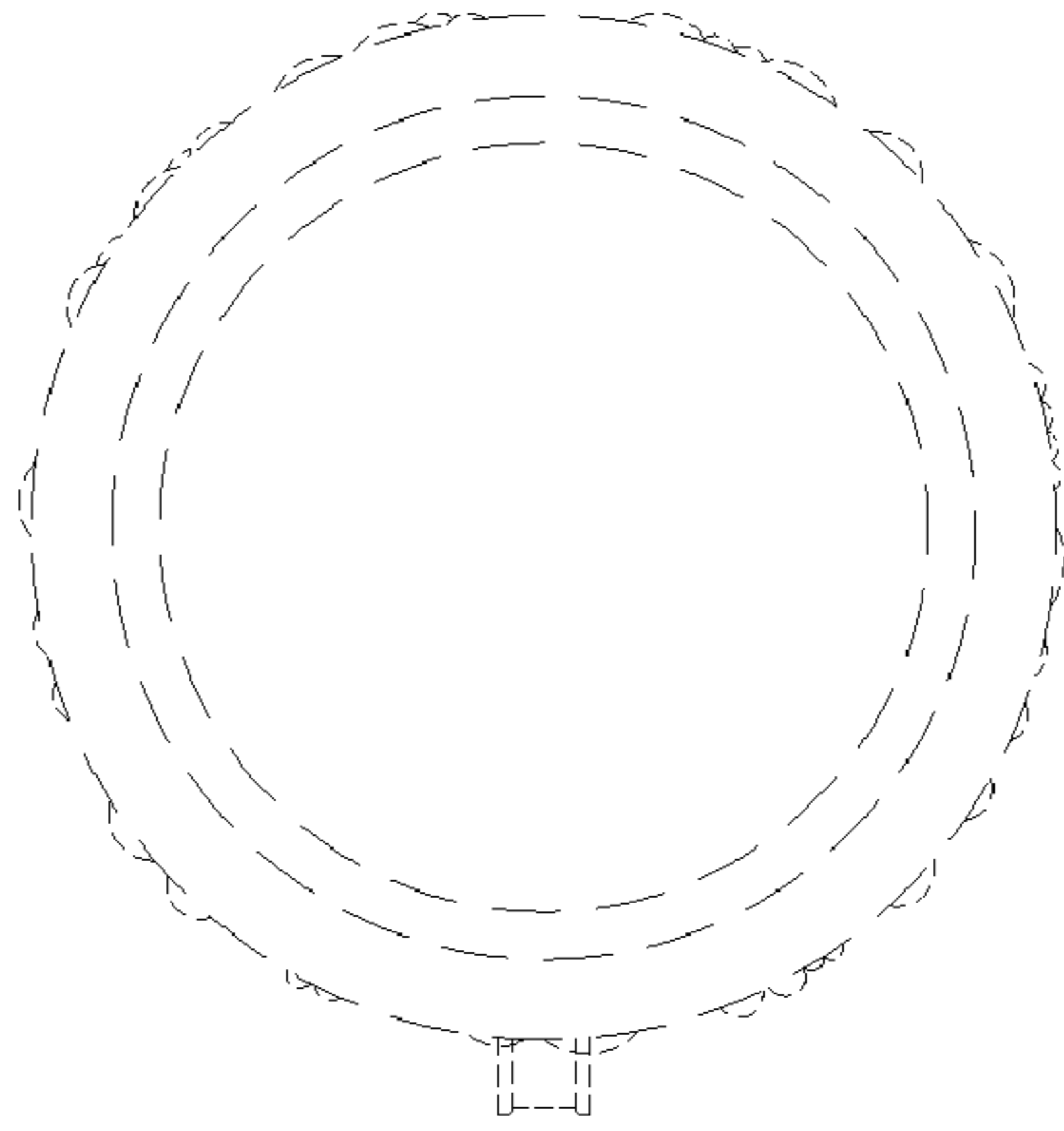


FIG. 7

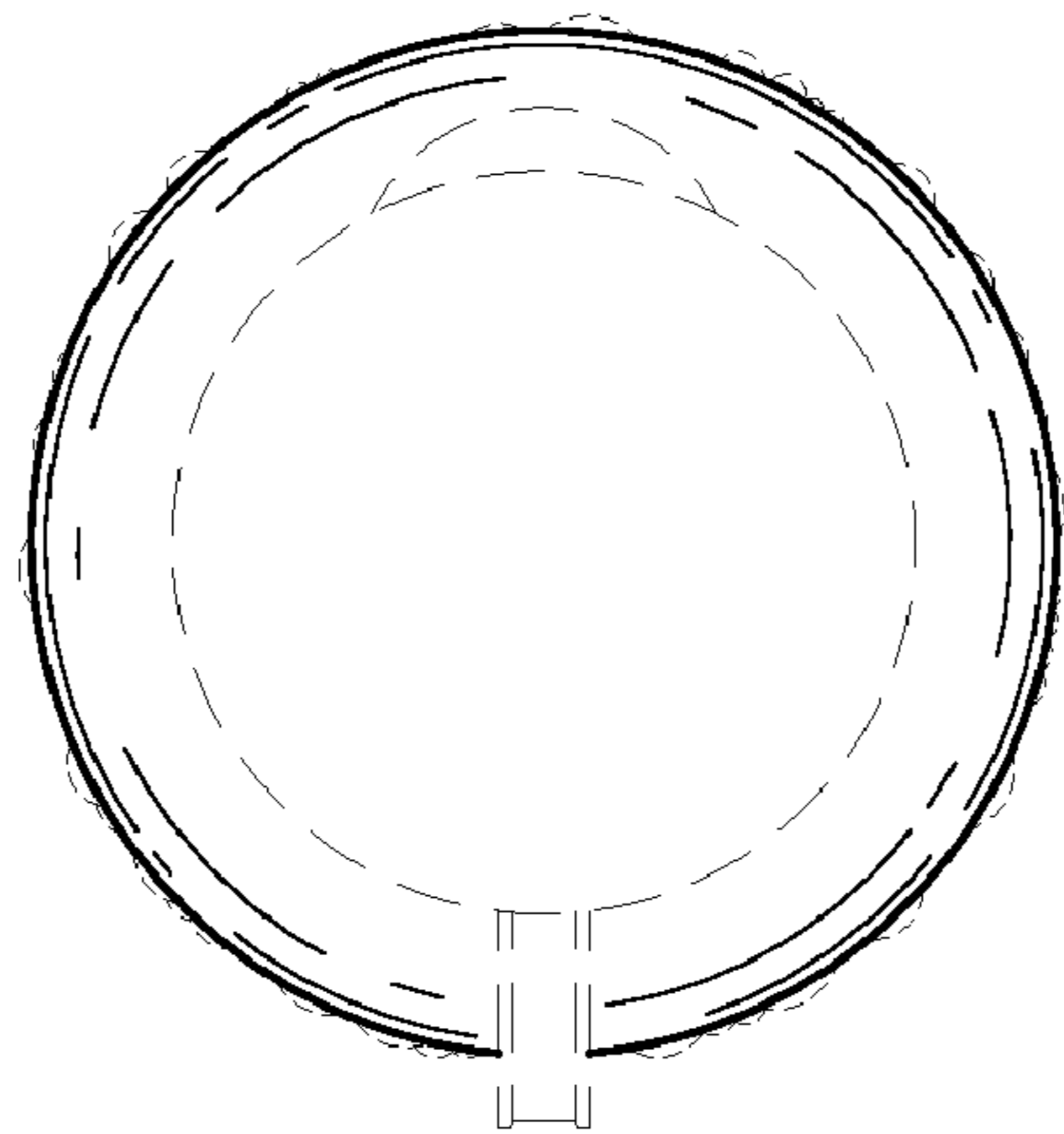


FIG. 6

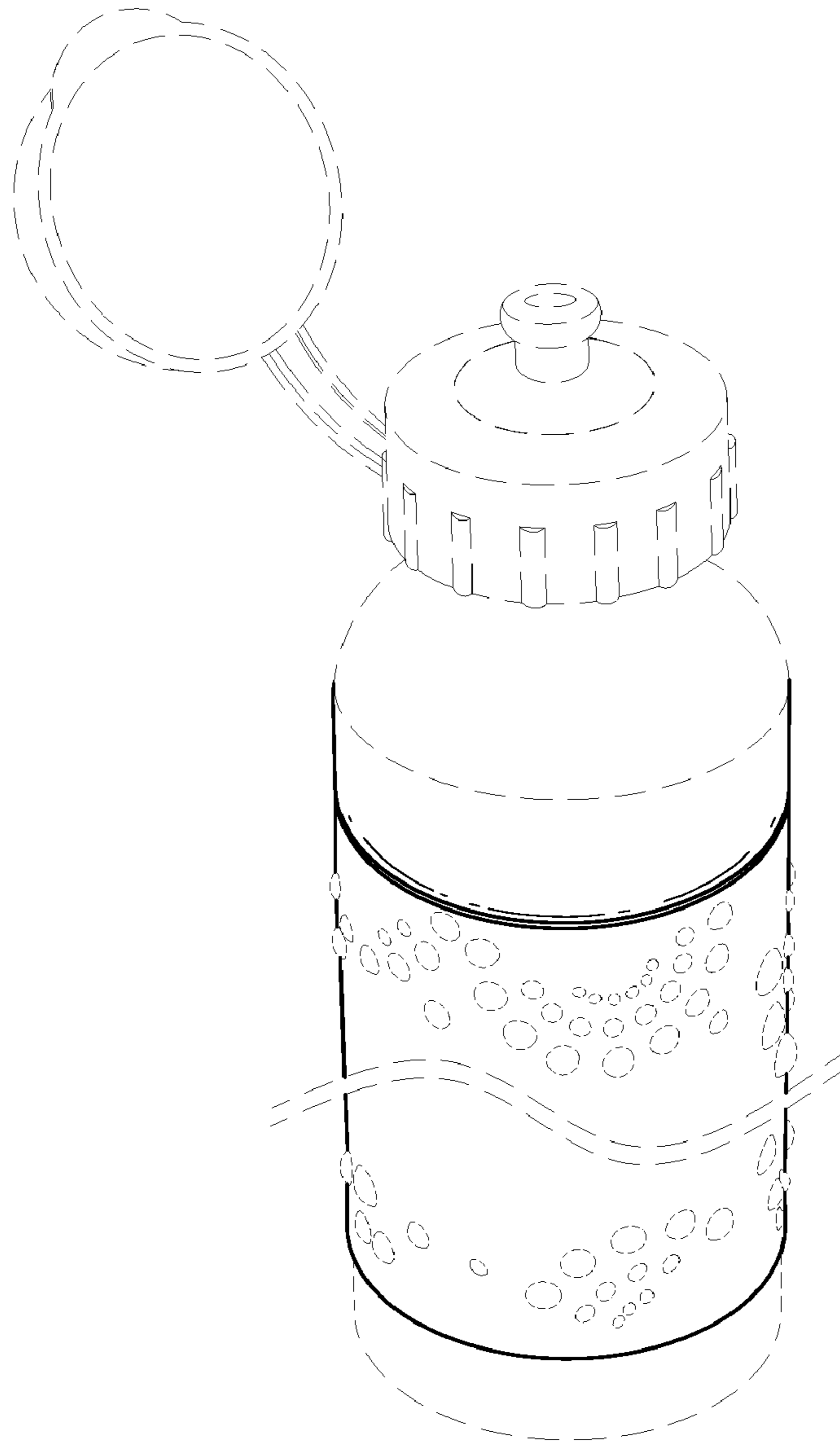


FIG. 8

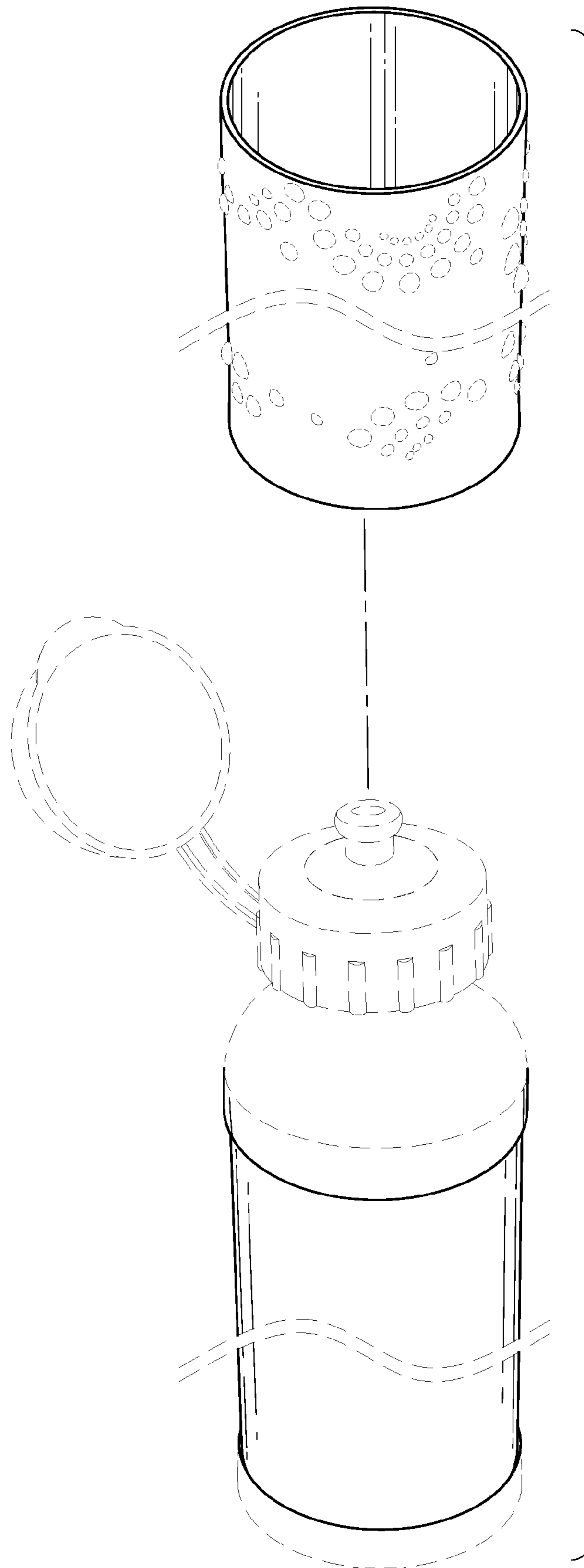


FIG. 9

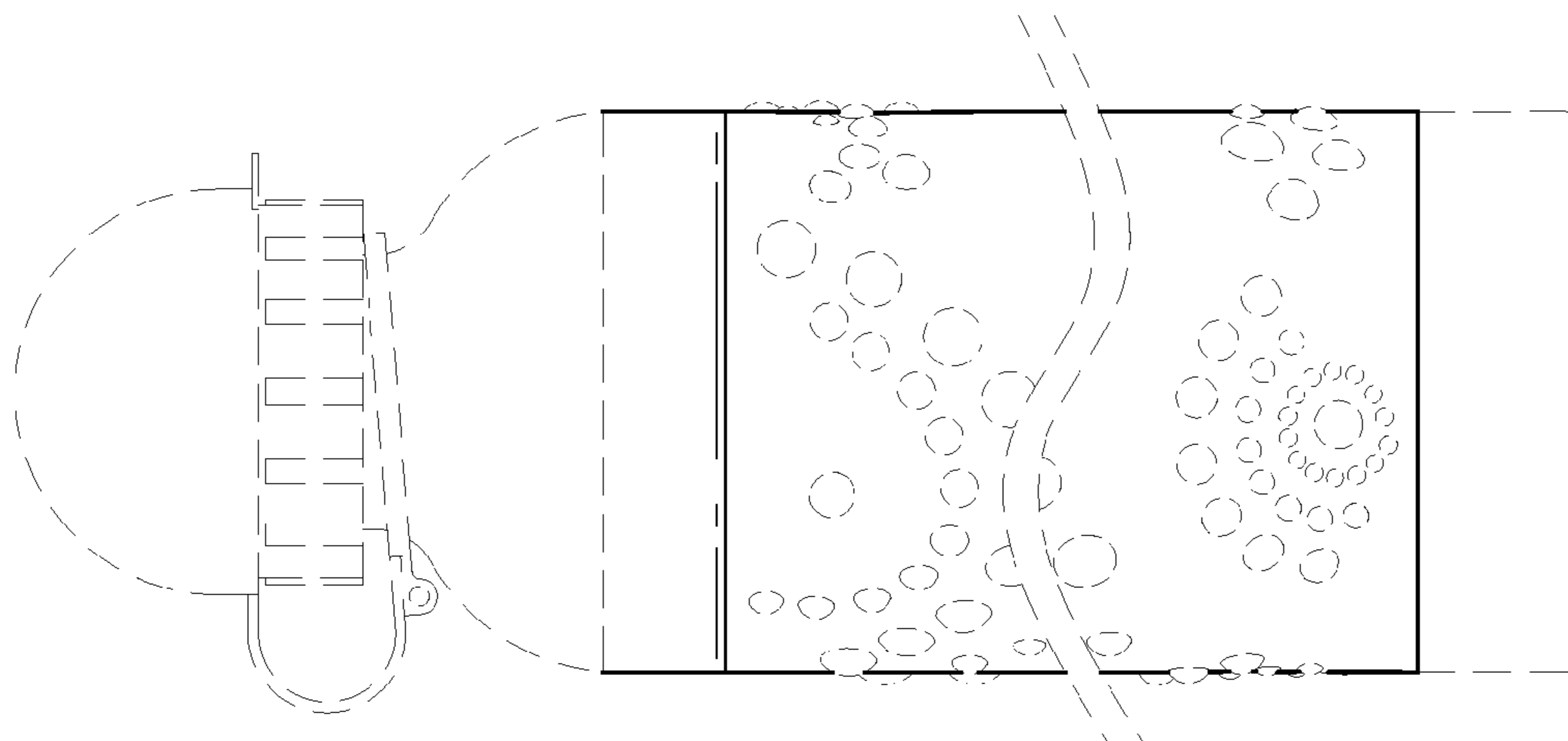


FIG. 10

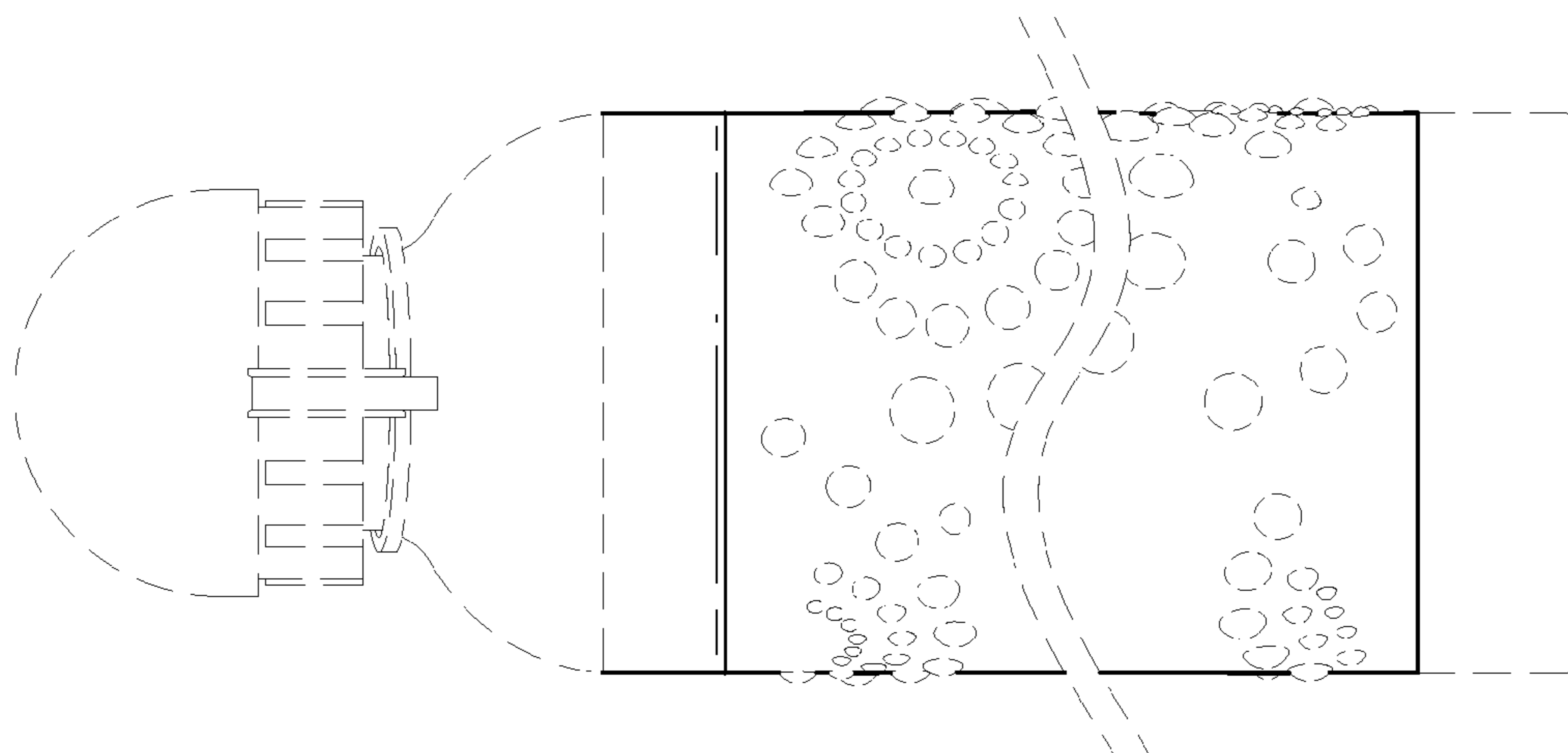


FIG. 11

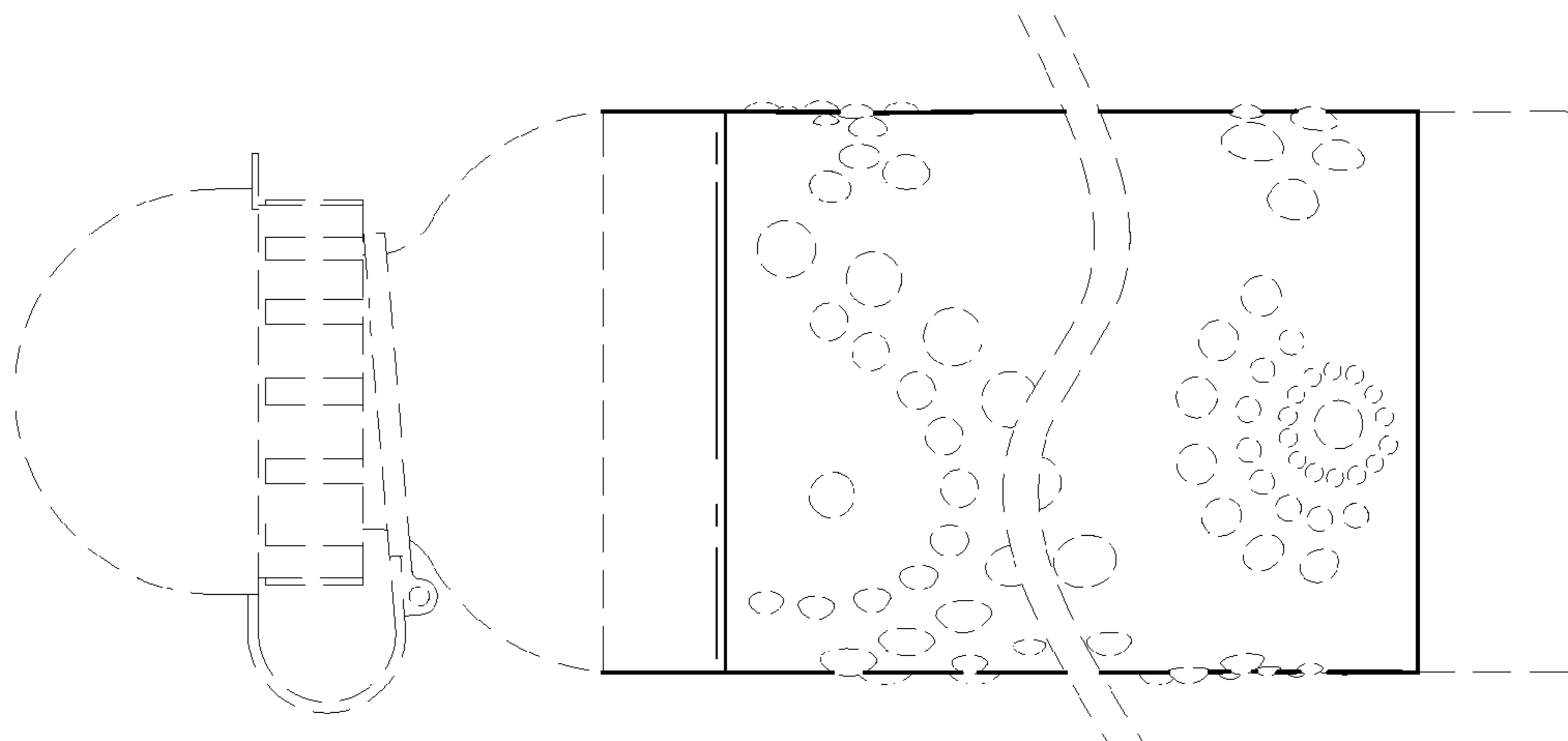


FIG. 12

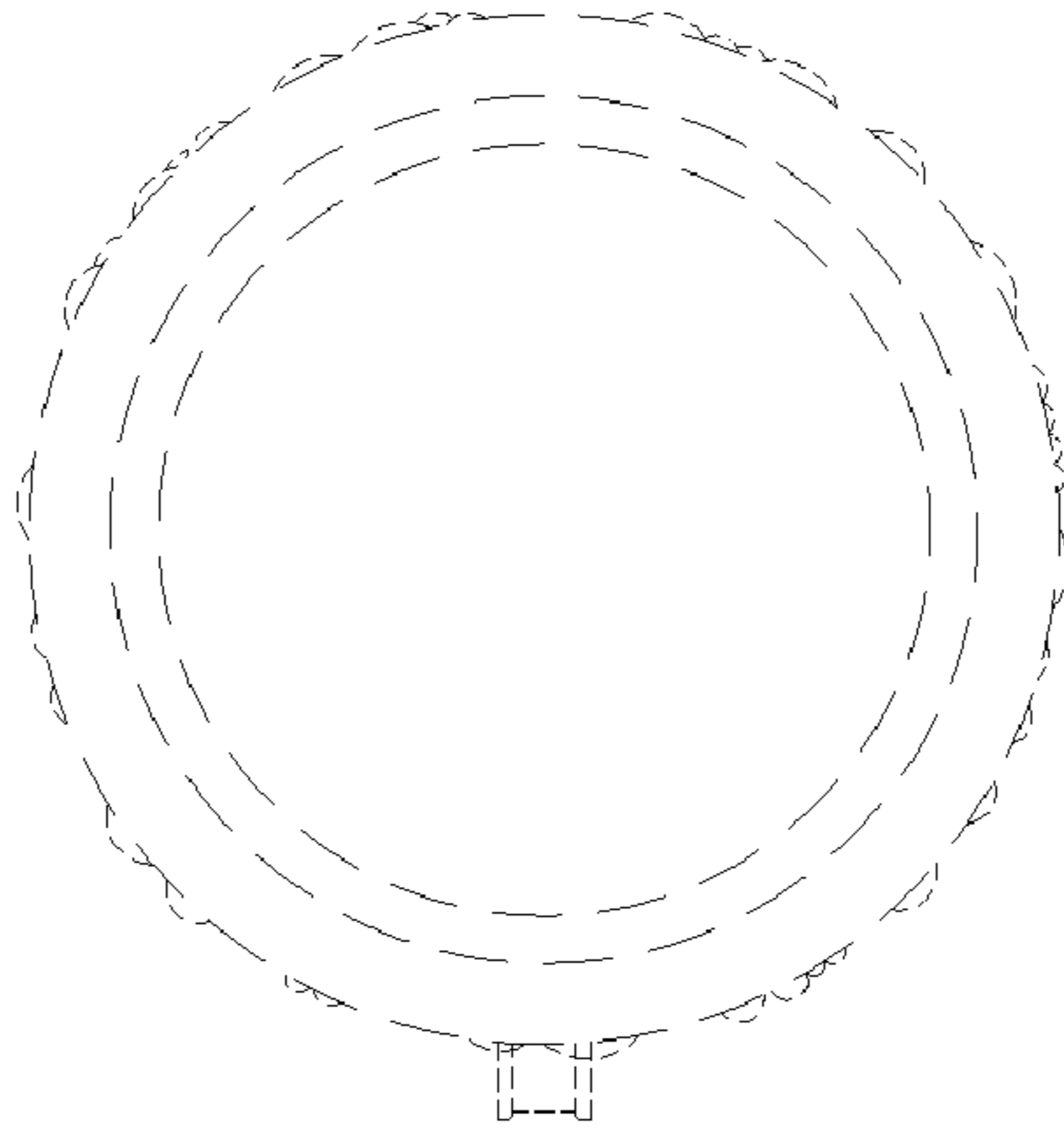


FIG. 14

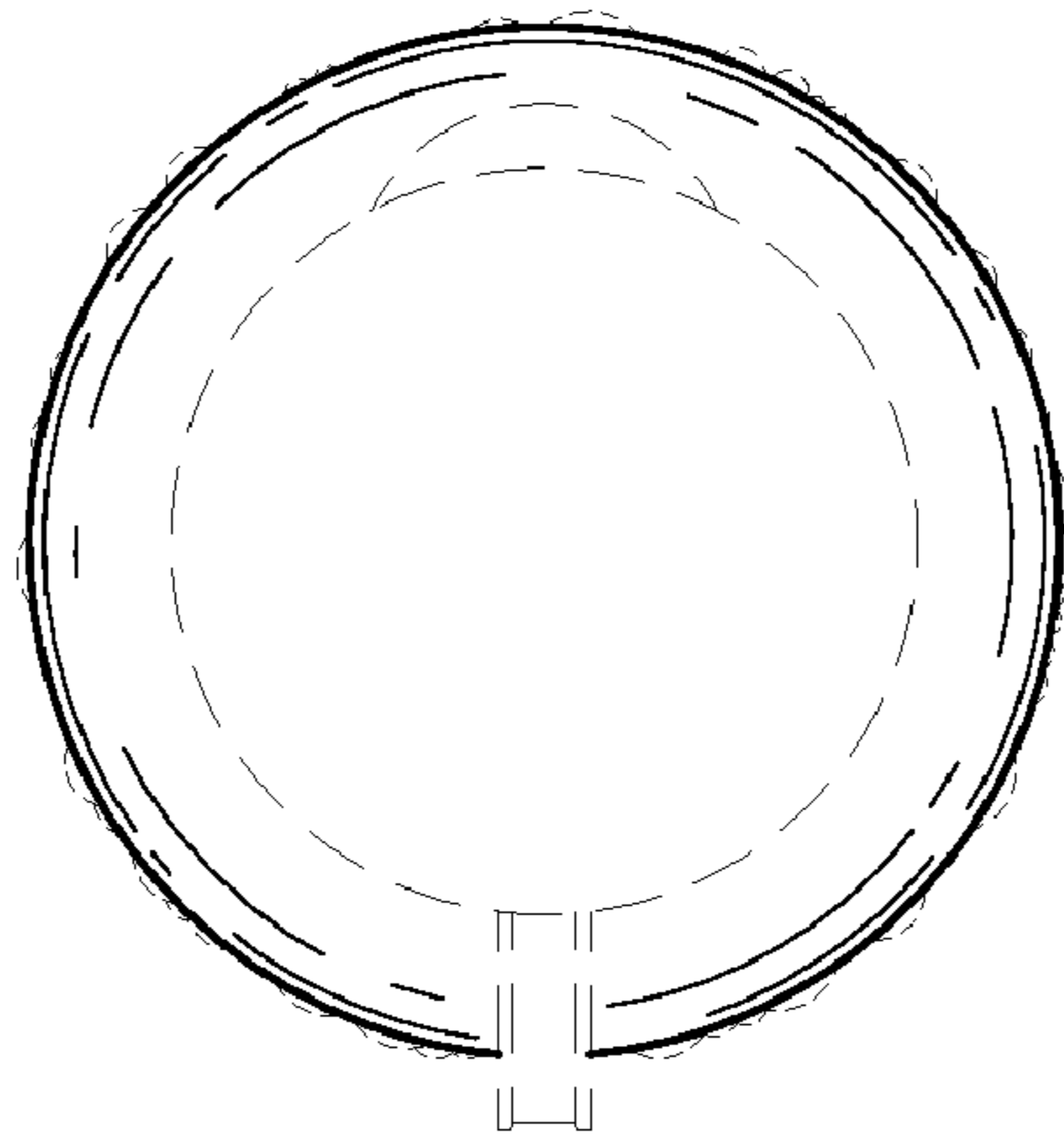


FIG. 13