



US00D645302S

(12) **United States Design Patent**
Gregory et al.

(10) **Patent No.:** **US D645,302 S**

(45) **Date of Patent:** **** Sep. 20, 2011**

(54) **DUAL LID**

(75) Inventors: **Christopher A. Gregory**, Saint Joseph, MI (US); **Leif A. Norland**, Saint Joseph, MI (US)

(73) Assignee: **Whirlpool Corporation**, Benton Harbor, MI (US)

(**) Term: **14 Years**

(21) Appl. No.: **29/386,145**

(22) Filed: **Feb. 25, 2011**

(51) **LOC (9) Cl.** **07-02**

(52) **U.S. Cl.** **D7/391; D7/354**

(58) **Field of Classification Search** D7/323, D7/329-331, 339, 346-347, 350.1-350.4, D7/353-367, 391, 393-395, 402, 406, 538, D7/542, 560; 99/324-325, 331-332, 337-340, 99/369, 400-418, 422, 425-426, 444, 483; 126/37 R, 261, 374.1, 378.1; 206/501-505, 206/507-508; 219/400, 405, 429-442, 620-624, 219/725, 730-735; 220/203.05, 203.07, 220/203.09, 298, 315-316, 324, 573.1-573.5, 220/912; 222/556; 426/438, 441
See application file for complete search history.

(56) **References Cited**

U.S. PATENT DOCUMENTS

6,109,487 A * 8/2000 Hashimoto 222/556
D433,869 S * 11/2000 Wong et al. D7/360

6,253,947 B1 * 7/2001 Yang 220/324
D461,093 S * 8/2002 Martinez D7/394
D575,579 S * 8/2008 Ball D7/360
D580,218 S * 11/2008 Kim D7/391
D588,397 S * 3/2009 Naef et al. D7/354
D620,744 S * 8/2010 Rose D7/357

* cited by examiner

Primary Examiner — Ricky Pham

(74) *Attorney, Agent, or Firm* — Tara M. Hartman; Barnes & Thornberg, LLP

(57) **CLAIM**

We claim the ornamental design for a dual lid, as shown and described.

DESCRIPTION

Cross-reference is made to co-pending U.S. Design patent application Ser. No. 29/386,142 entitled "Slow Cooker," which was filed on Feb. 25, 2011 and is incorporated herein by reference.

FIG. 1 is a front perspective view of a design of the dual lid; FIG. 2 is a front elevation view of the dual lid of FIG. 1, with the rear elevation view being a mirror image of the front elevation view;

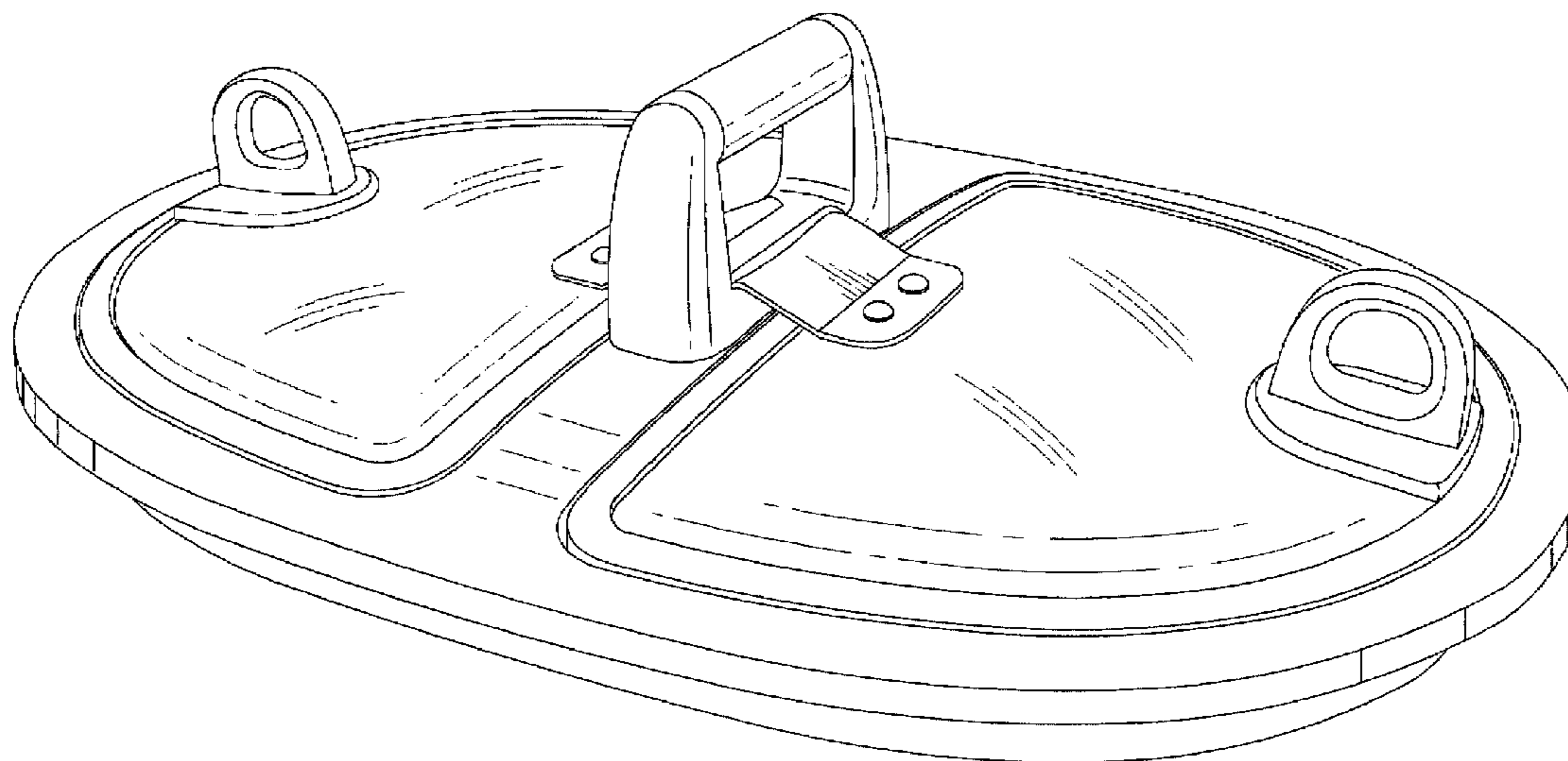
FIG. 3 is a first side elevation view of the dual lid of FIG. 1, with the second side elevation view being a mirror image of the first side elevation view;

FIG. 4 is a top plan view of the dual lid of FIG. 1; and,

FIG. 5 is a bottom plan view of the dual lid of FIG. 1.

The portion shown in broken lines is for illustrative purposes only and forms no part of the claimed design.

1 Claim, 5 Drawing Sheets



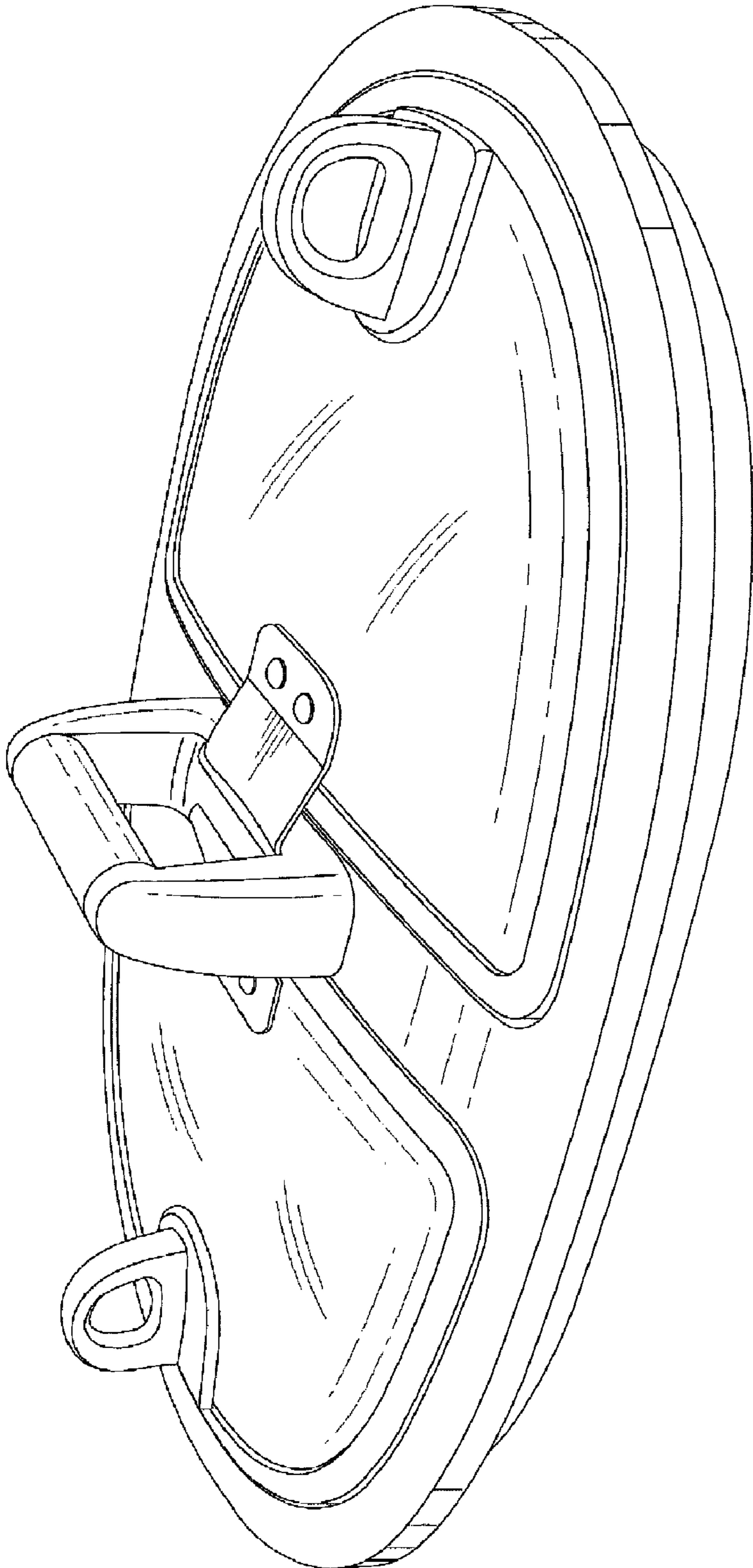


Fig. 1

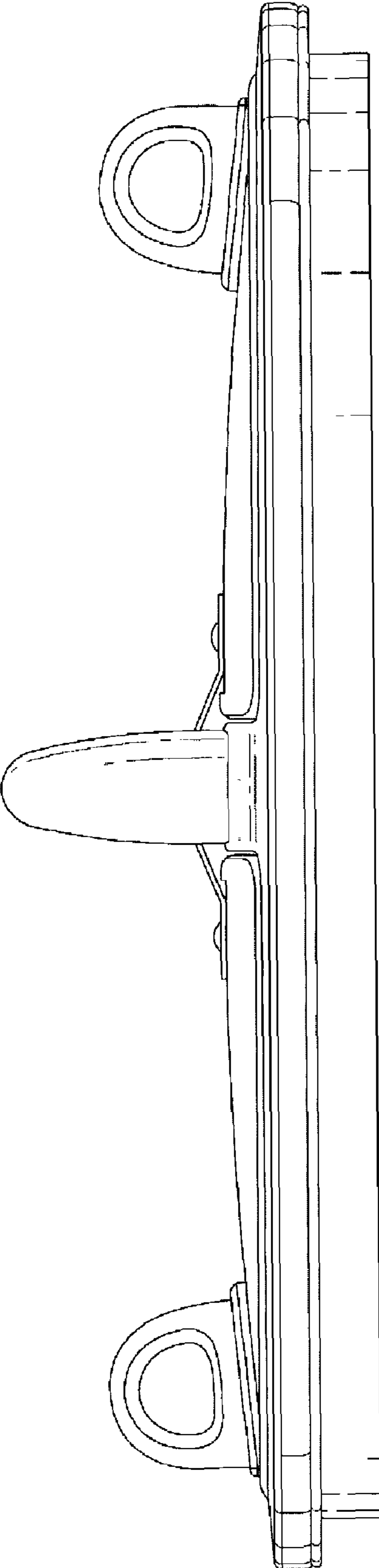


Fig. 2

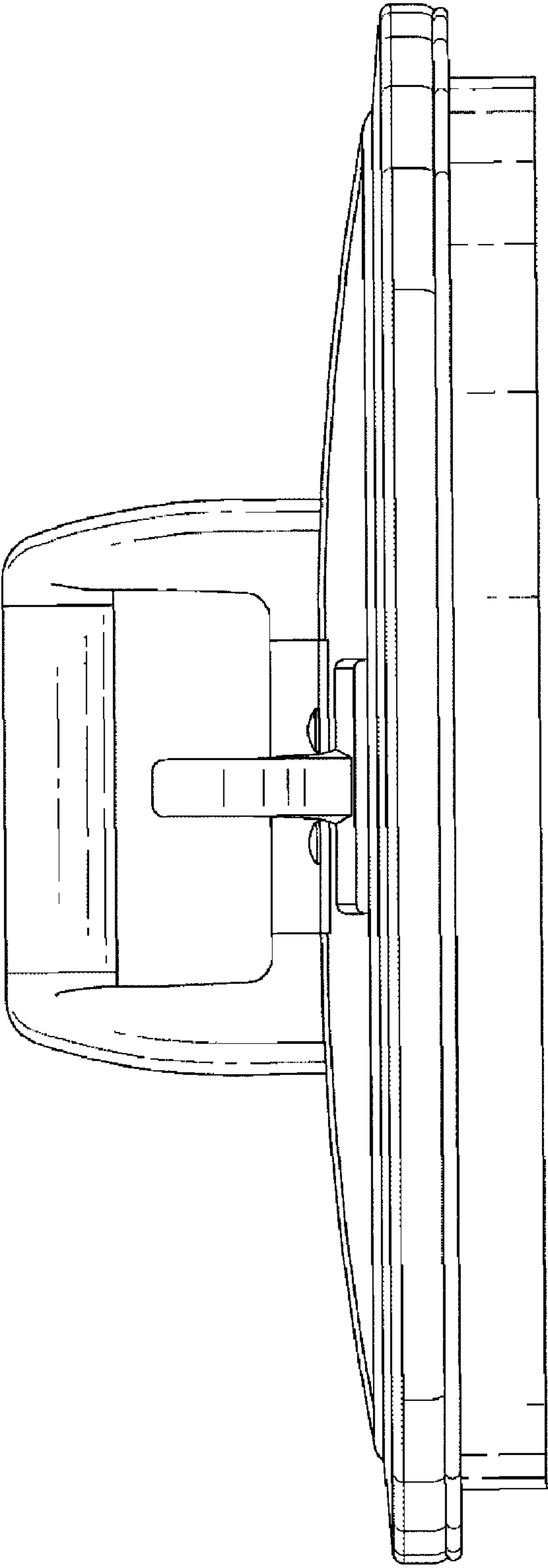


Fig. 3

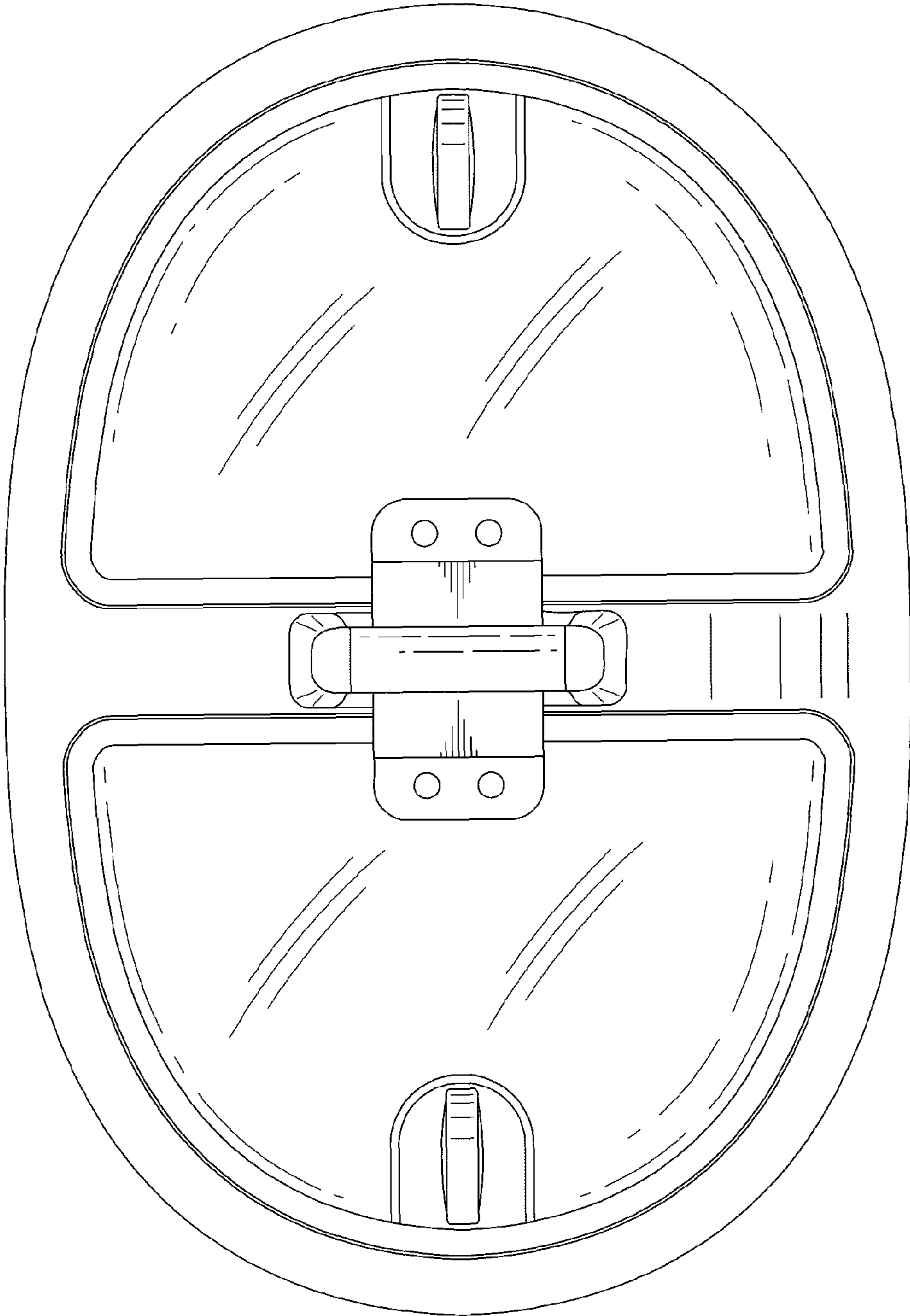


Fig. 4

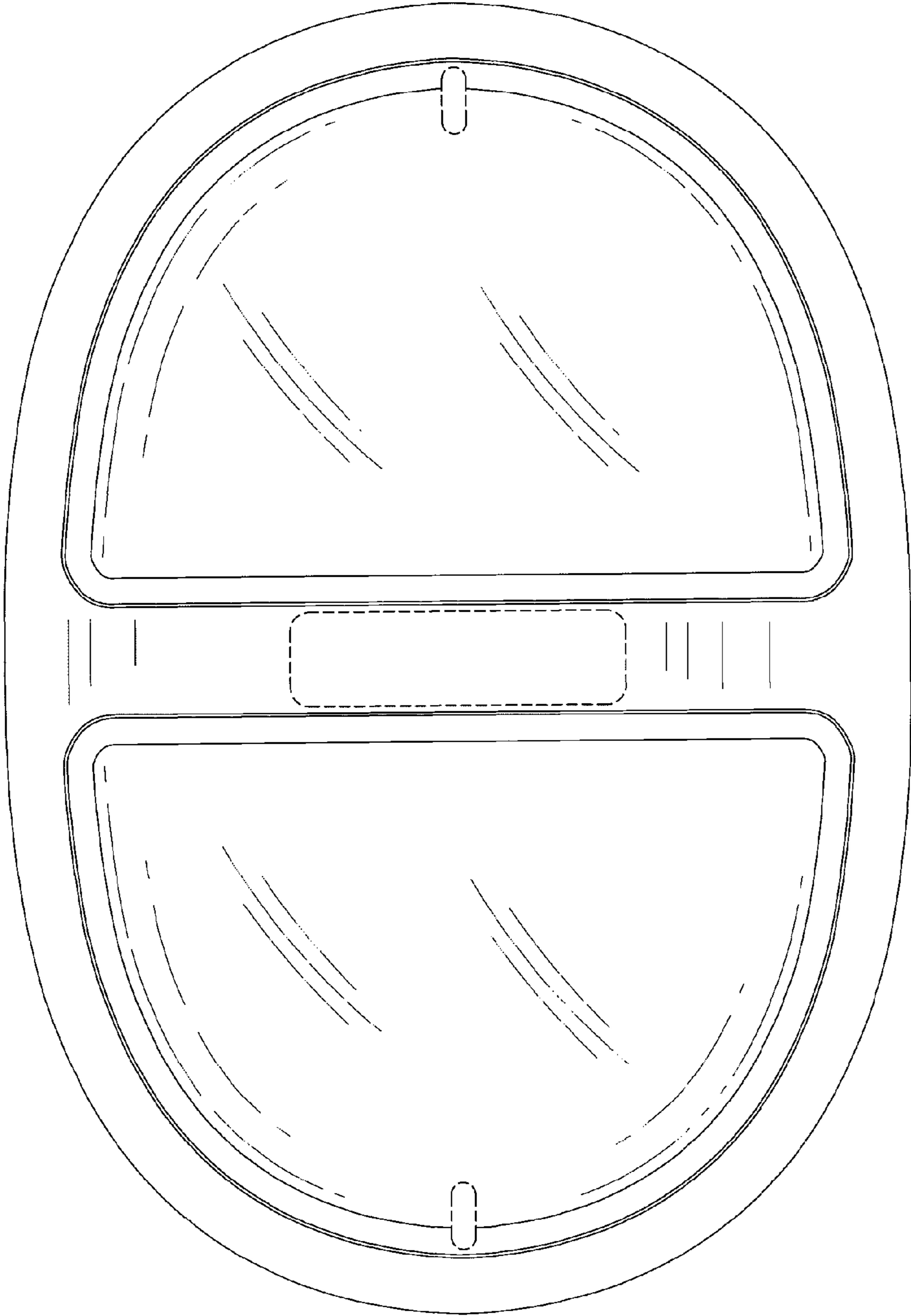


Fig. 5