



US00D645301S

(12) **United States Design Patent**
Tse

(10) **Patent No.:** **US D645,301 S**

(45) **Date of Patent:** **** Sep. 20, 2011**

(54) **BLENDER ASSEMBLY**

(75) **Inventor:** **Keith Chung Shun Tse**, Hong Kong
(CN)

(73) **Assignee:** **Conair Corporation**, Stamford, CT
(US)

(**) **Term:** **14 Years**

(21) **Appl. No.:** **29/386,192**

(22) **Filed:** **Feb. 25, 2011**

(51) **LOC (9) Cl.** **31-00**

(52) **U.S. Cl.** **D7/378; D7/376; D7/384**

(58) **Field of Classification Search** D7/305-311,
D7/317-318, 368, 372, 376-386, 391, 412-415,
D7/665; D15/82; 99/326, 348, 508-511;
241/30-37.5, 101.01-101.2, 166-169.1,
241/285.1-285.3, 291, 292.1; 366/64-67,
366/98, 142, 197-211, 241-254, 279-292,
366/341-347; 416/75-76, 70 R, 163

See application file for complete search history.

(56) **References Cited**

U.S. PATENT DOCUMENTS

D347,966 S *	6/1994	Doggett	D7/378
D404,247 S *	1/1999	Spagnolo	D7/378
D419,369 S *	1/2000	Naft et al.	D7/391
6,092,922 A *	7/2000	Kett et al.	366/205
D450,978 S *	11/2001	Smith	D7/378
D451,336 S *	12/2001	Deros et al.	D7/386

D451,756 S *	12/2001	Deros et al.	D7/378
D611,760 S *	3/2010	Ball	D7/378
D625,141 S *	10/2010	Moore	D7/378
D625,142 S *	10/2010	Moore	D7/384
D625,143 S *	10/2010	Moore et al.	D7/384
D625,144 S *	10/2010	Moore et al.	D7/384

* cited by examiner

Primary Examiner — Ricky Pham

(74) *Attorney, Agent, or Firm* — McCormick, Paulding & Huber LLP

(57) **CLAIM**

The ornamental design for a blender assembly, as shown and described.

DESCRIPTION

FIG. 1 is a perspective view of a blender assembly showing a new design;

FIG. 2 is a front elevational view thereof;

FIG. 3 is a rear elevational view thereof;

FIG. 4 is a left side elevational view thereof;

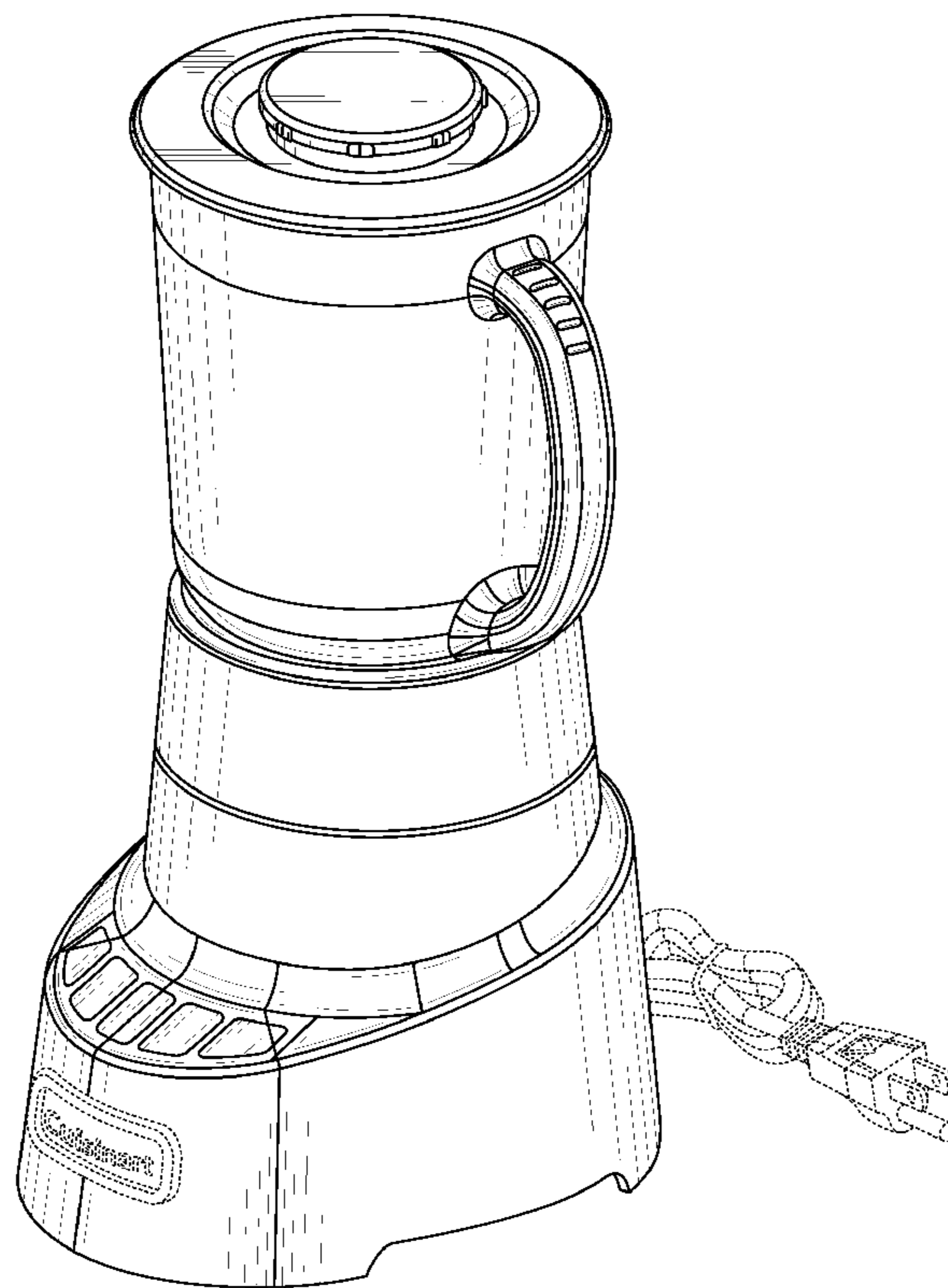
FIG. 5 is a right side elevation view thereof;

FIG. 6 is a top plan view thereof; and,

FIG. 7 is a bottom plan view thereof.

The broken lines are for illustrative purposes only and form no part of the claimed design.

1 Claim, 6 Drawing Sheets



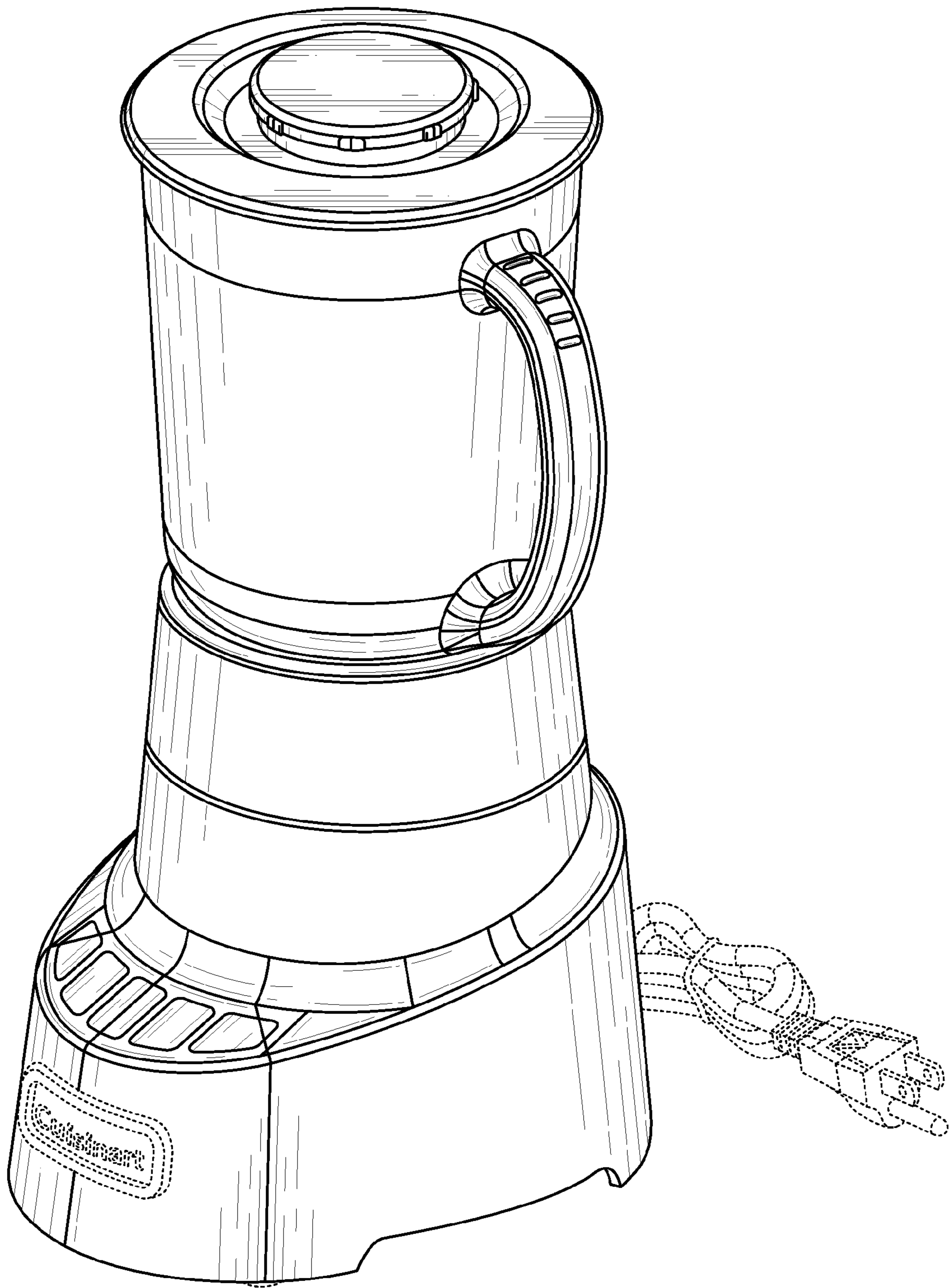


FIG. 1

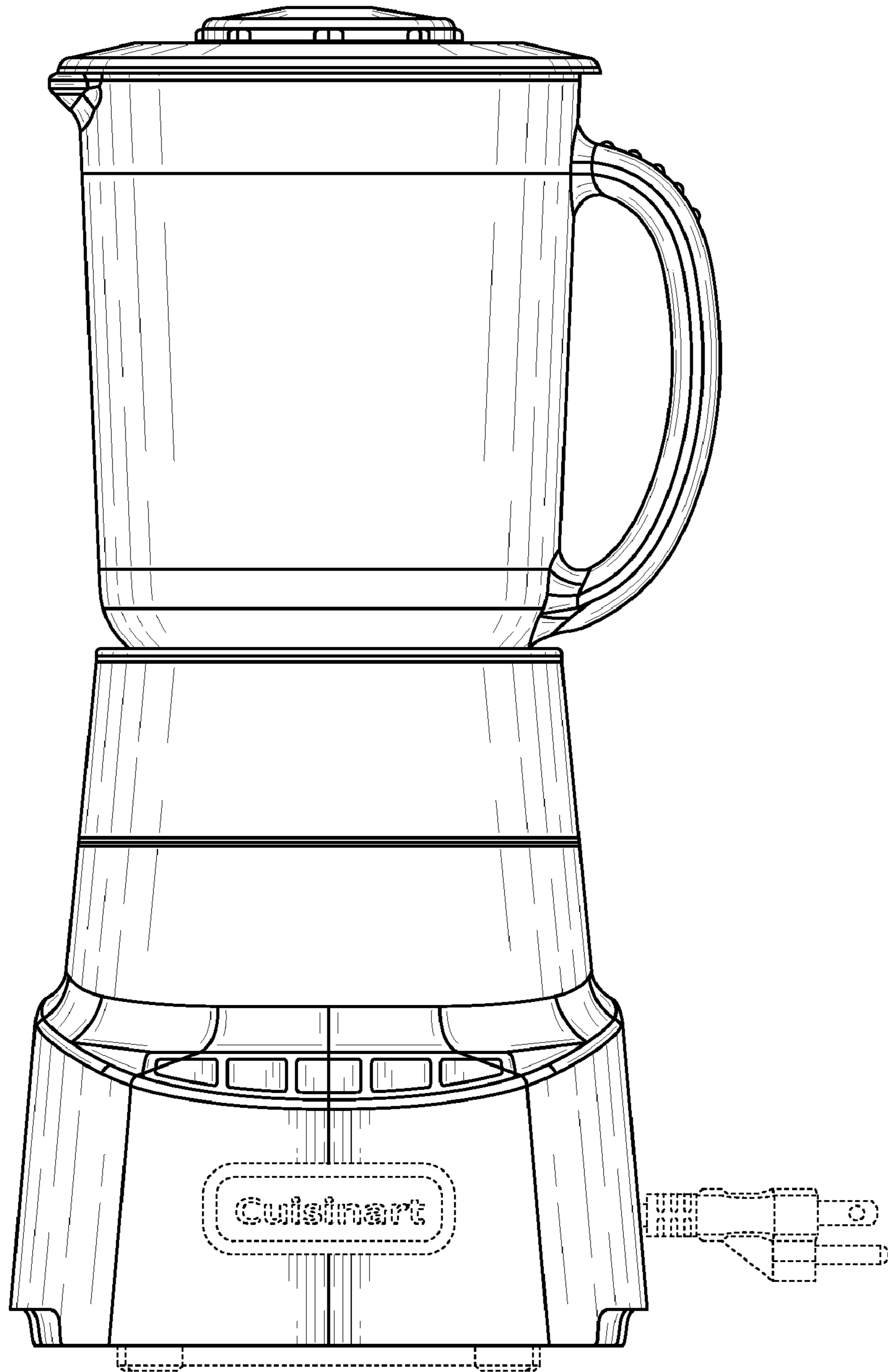


FIG. 2

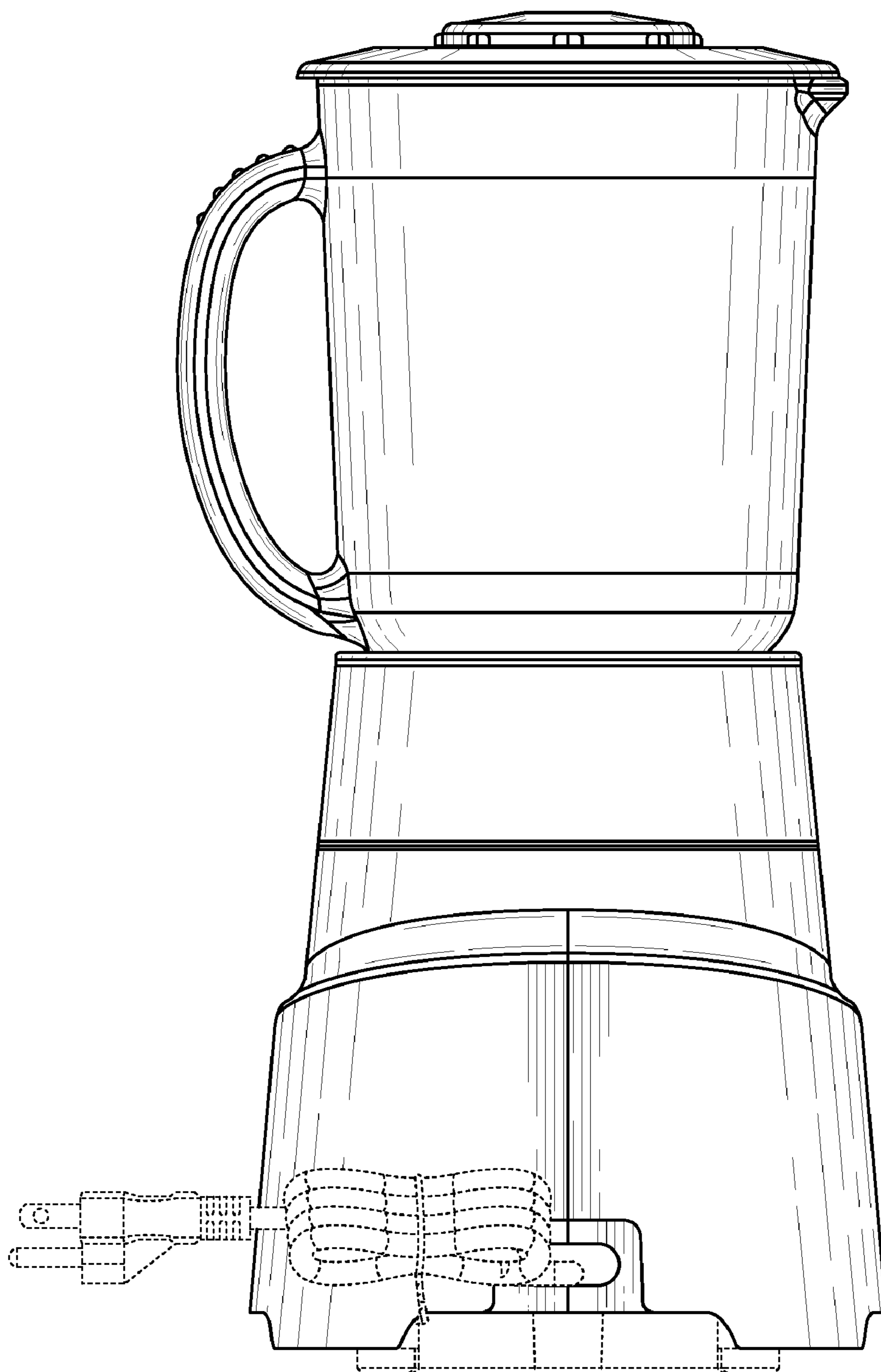


FIG. 3

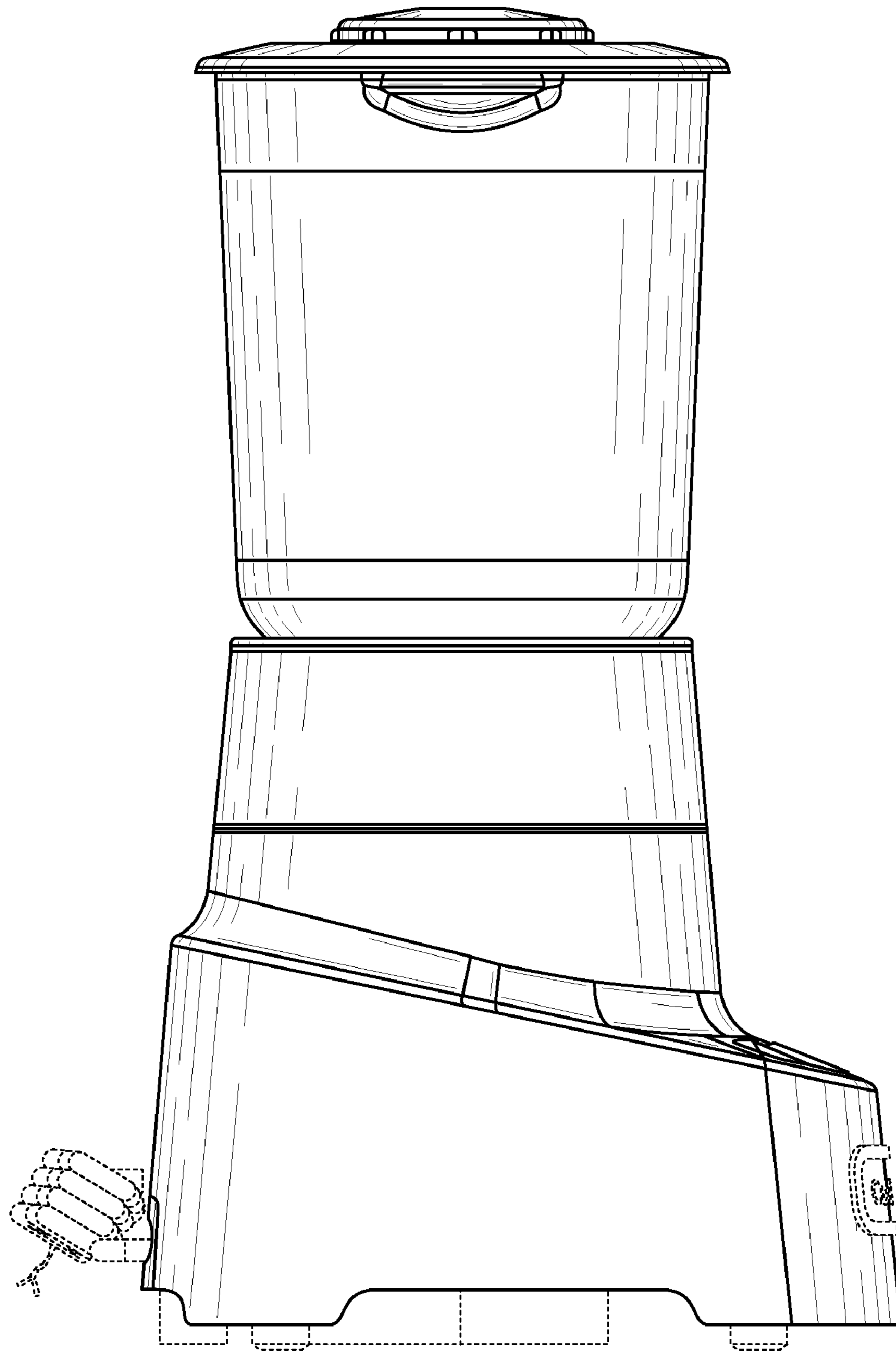


FIG. 4

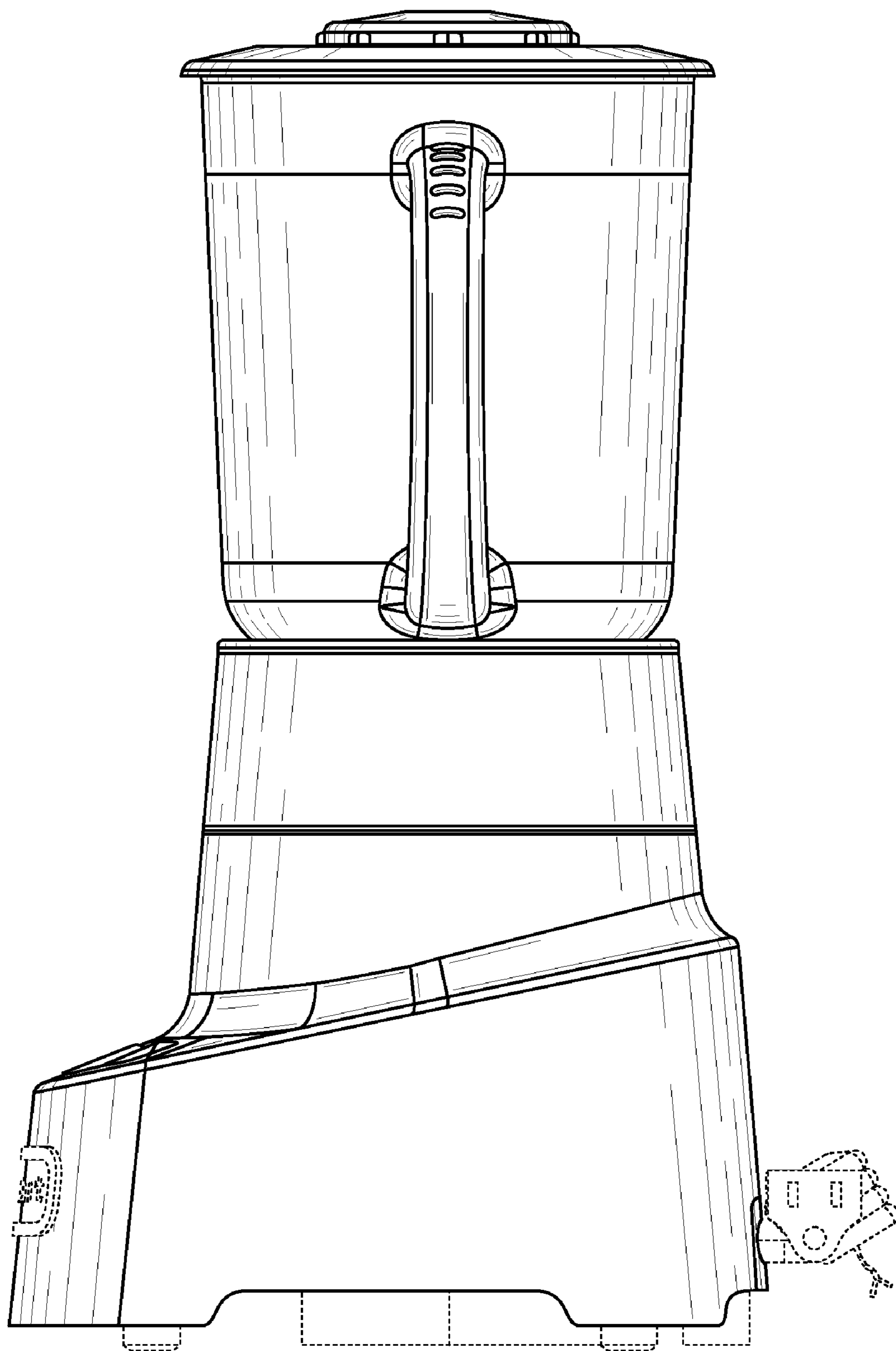


FIG. 5

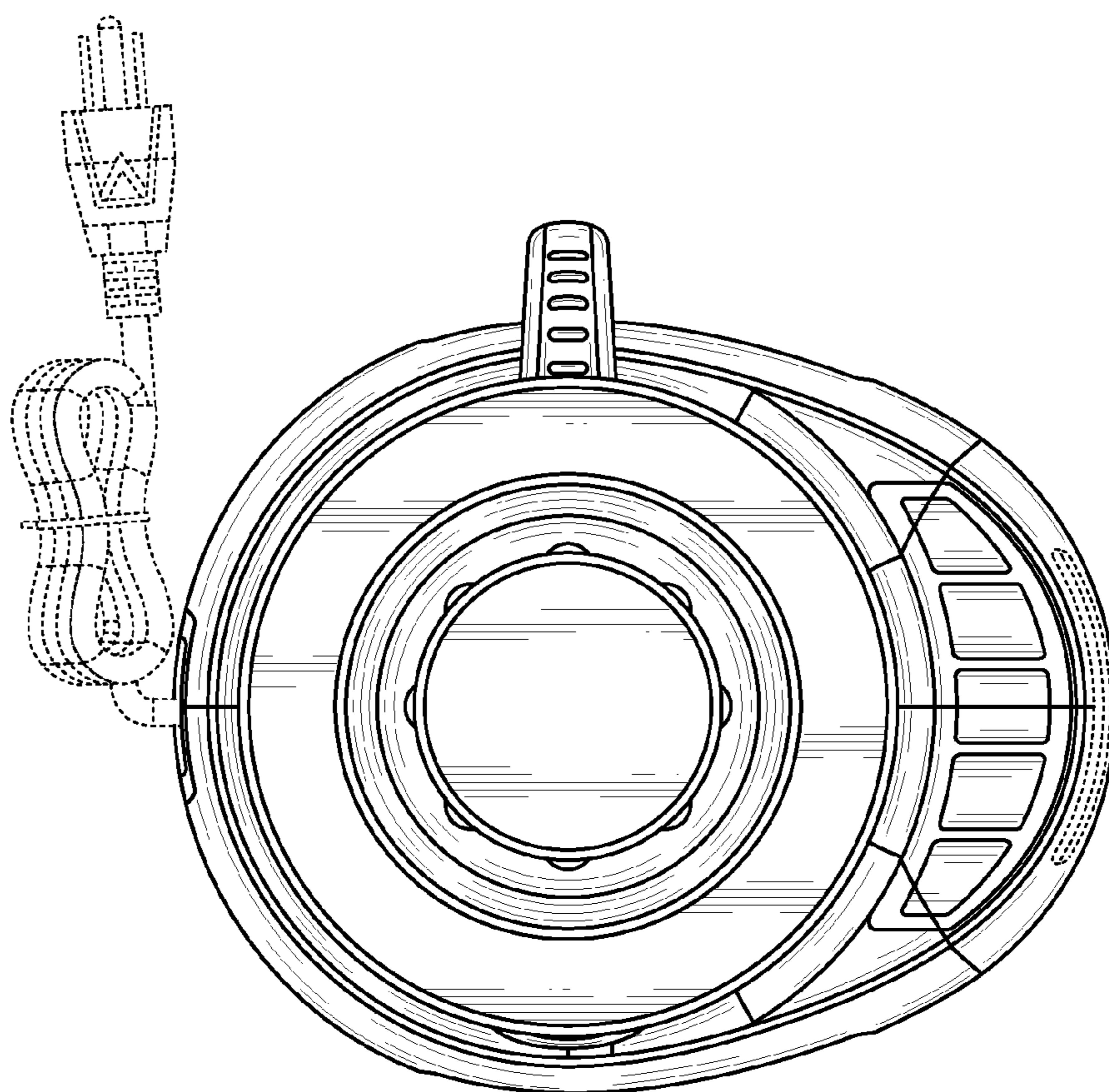


FIG. 6

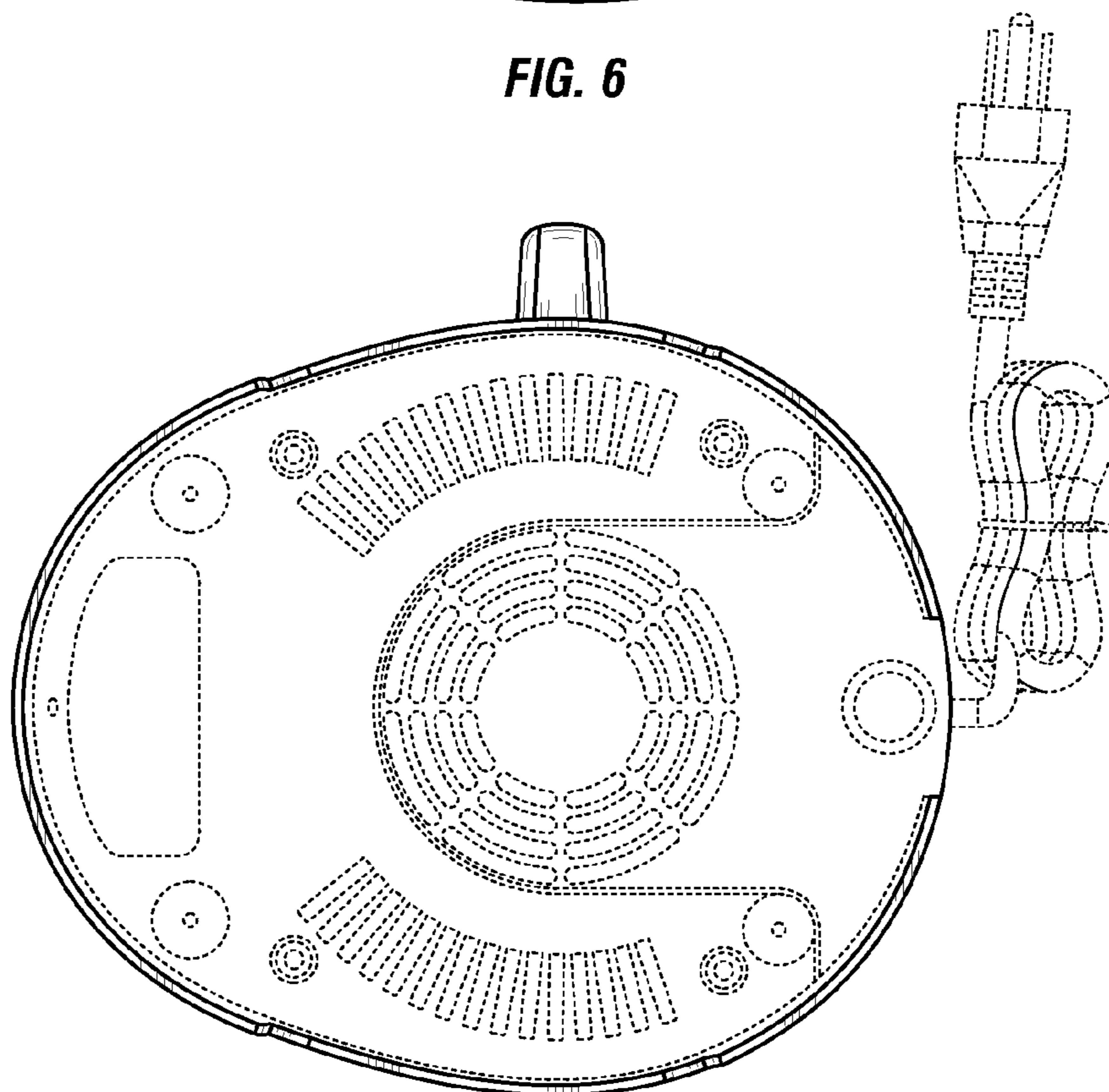


FIG. 7