



US00D645300S

(12) **United States Design Patent**
Collinson

(10) **Patent No.:** **US D645,300 S**

(45) **Date of Patent:** **** Sep. 20, 2011**

(54) **MILK FROTHER**

(75) Inventor: **Mike Collinson**, Derbyshire (GB)

(73) Assignee: **Foremost B.V.**, Eemnes (NL)

(**) Term: **14 Years**

(21) Appl. No.: **29/382,856**

(22) Filed: **Jan. 7, 2011**

(51) **LOC (9) Cl.** **31-00**

(52) **U.S. Cl.** **D7/376; D7/378**

(58) **Field of Classification Search** D7/305-311,
D7/317-319, 368, 372, 376-386, 391, 412-415,
D7/665; D23/207; 99/326, 348, 508-511;
241/30-37.5, 101.01-101.2, 166-169.1,
241/285.1-285.3, 291, 292.1; 366/64-67,
366/98, 142, 197-211, 241-254, 279-292,
366/341-347; 416/75-76, 70 R, 163
See application file for complete search history.

(56) **References Cited**

U.S. PATENT DOCUMENTS

D307,857 S *	5/1990	Grome et al.	D7/317
D367,201 S *	2/1996	Joergensen	D7/305
D444,204 S *	6/2001	Hilgers et al.	D23/207
D448,235 S *	9/2001	Jørgensen	D7/319

D480,593 S *	10/2003	Nybakke	D7/319
D592,446 S *	5/2009	Berlencourt	D7/376
D602,304 S *	10/2009	Elissen	D7/318
D607,685 S *	1/2010	Elissen	D7/318
D607,686 S *	1/2010	Elissen	D7/319
D613,988 S *	4/2010	Lane et al.	D7/317
D628,008 S *	11/2010	Dahlstrom	D7/319
D628,426 S *	12/2010	Hoare et al.	D7/319

* cited by examiner

Primary Examiner — Ricky Pham

(74) *Attorney, Agent, or Firm* — Kilpatrick Townsend & Stockton LLP

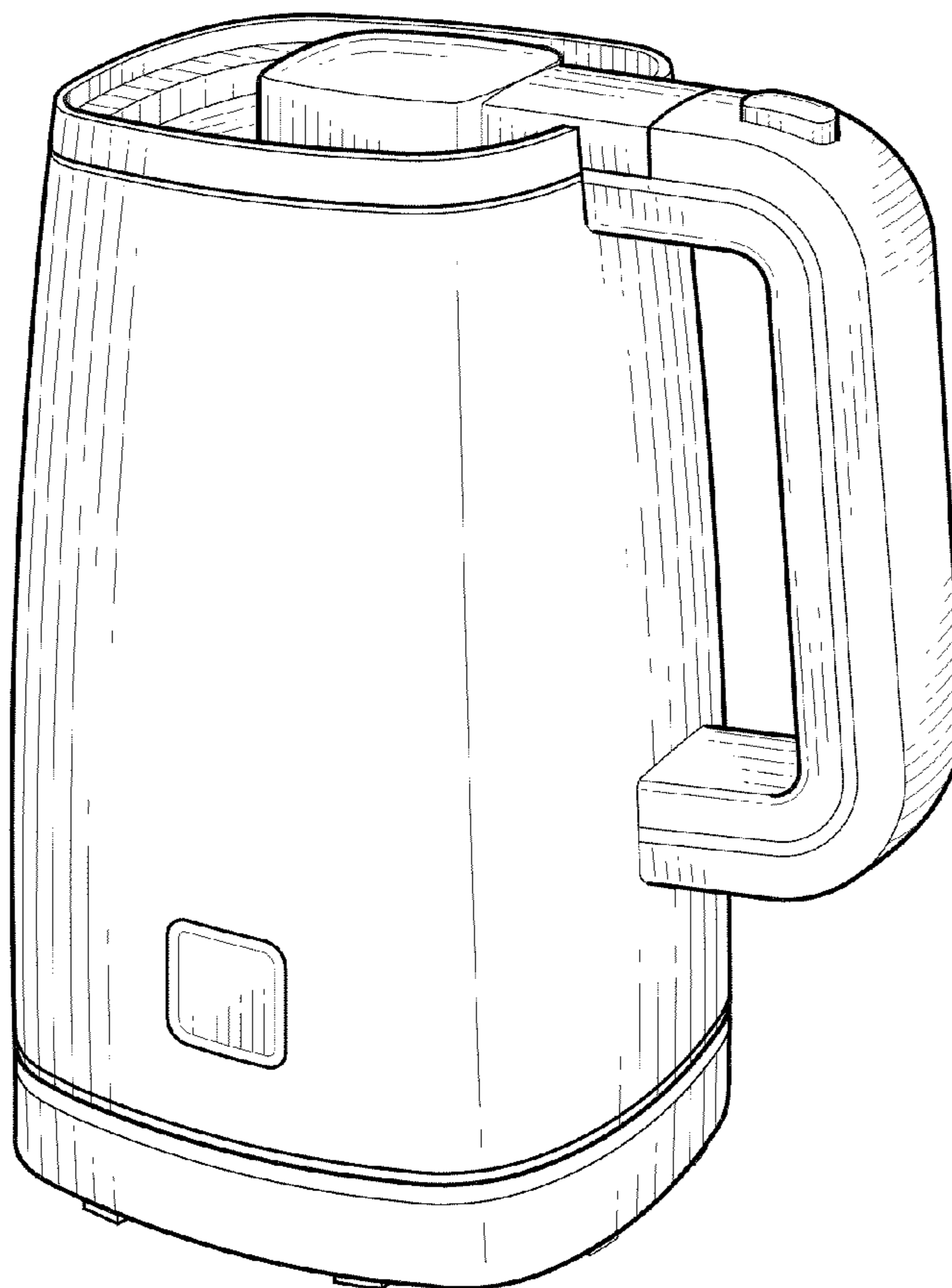
(57) **CLAIM**

The ornamental design for a milk frother, as shown and described.

DESCRIPTION

FIG. 1 is a perspective view of a milk frother showing my new design;
FIG. 2 is a left elevational view thereof;
FIG. 3 is a right elevational view thereof;
FIG. 4 is a front elevational view thereof;
FIG. 5 is a rear elevational view thereof;
FIG. 6 is a top plan view thereof; and,
FIG. 7 is a bottom plan view thereof.

1 Claim, 6 Drawing Sheets



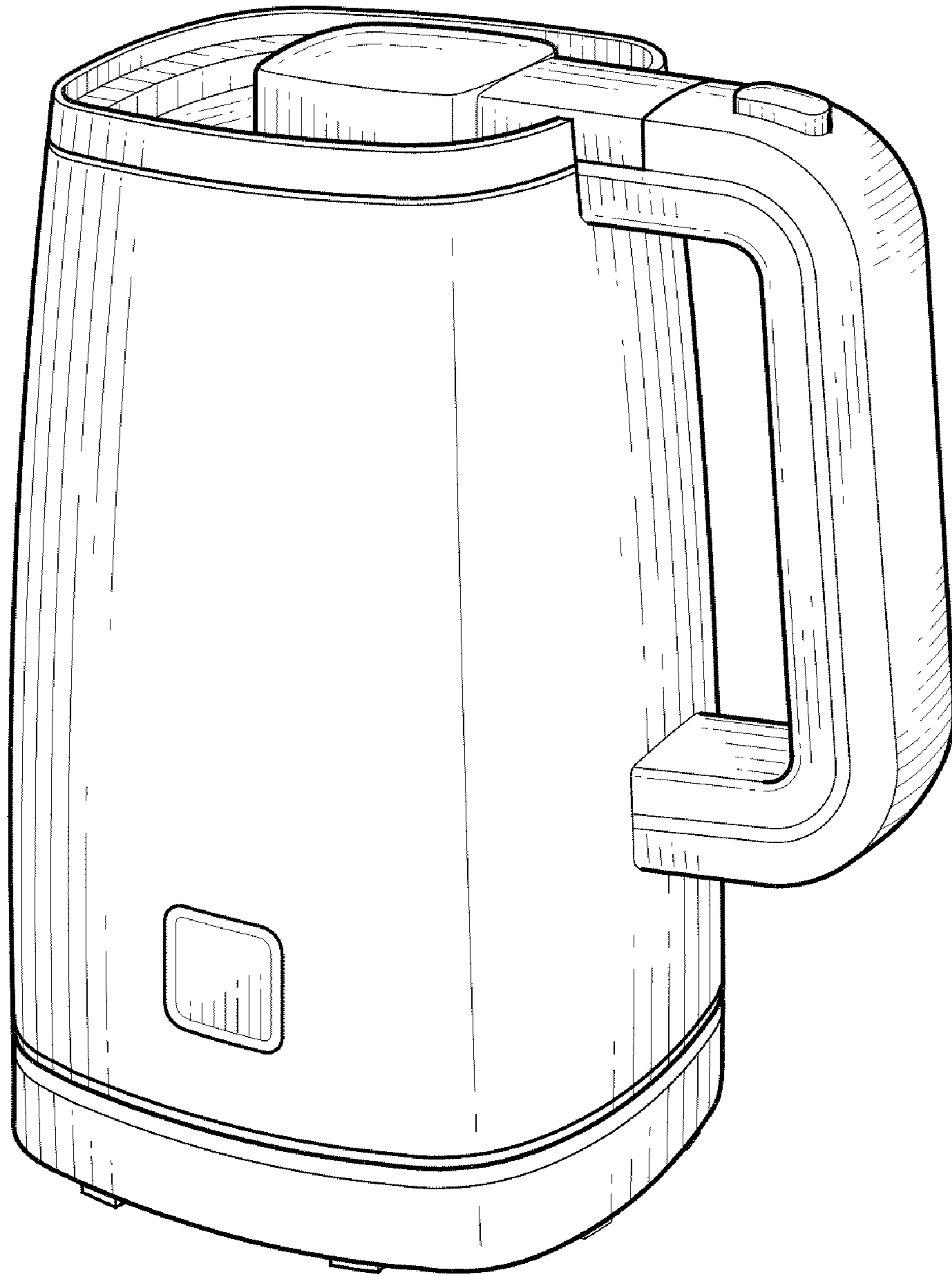


Fig. 1

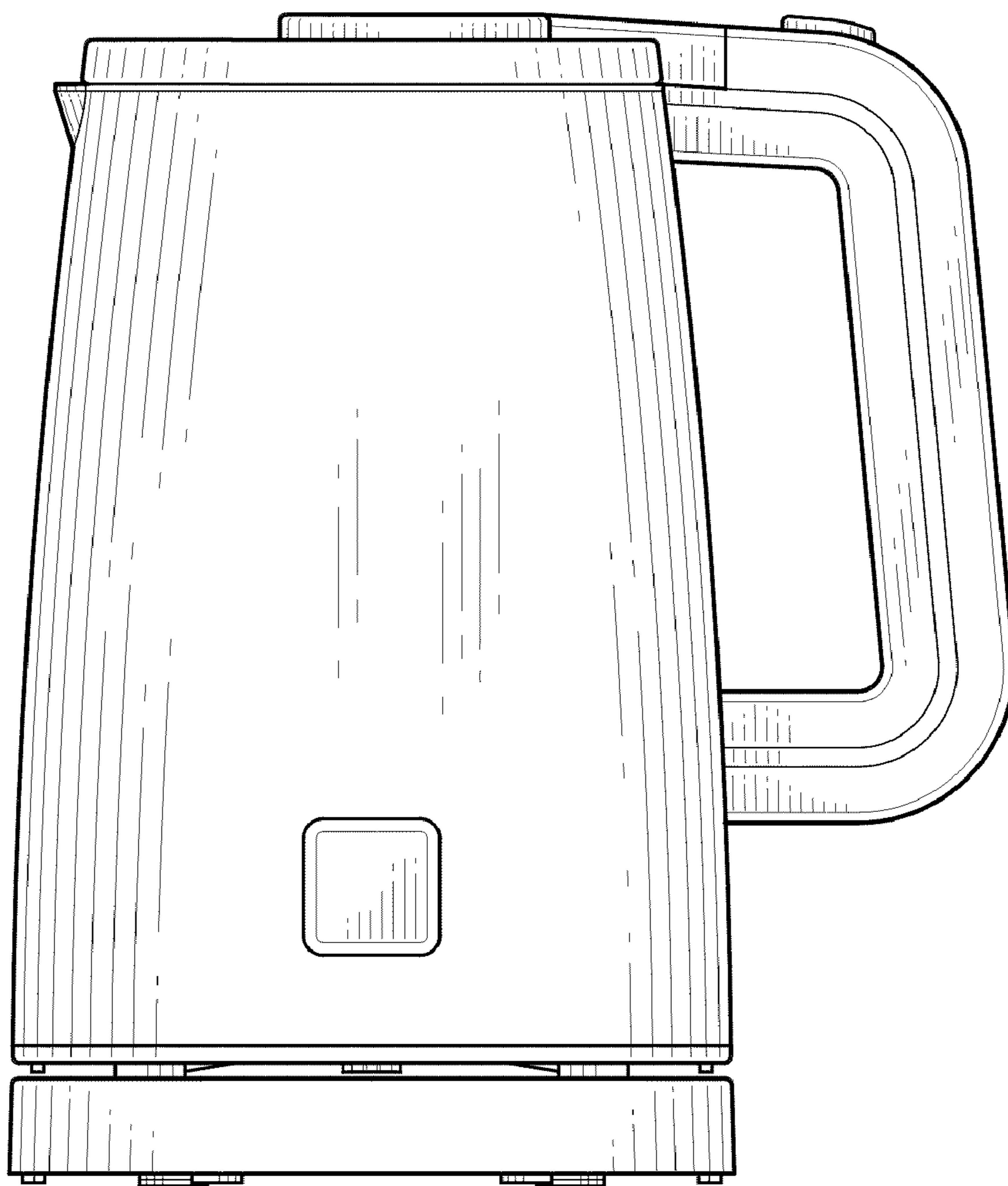


Fig. 2

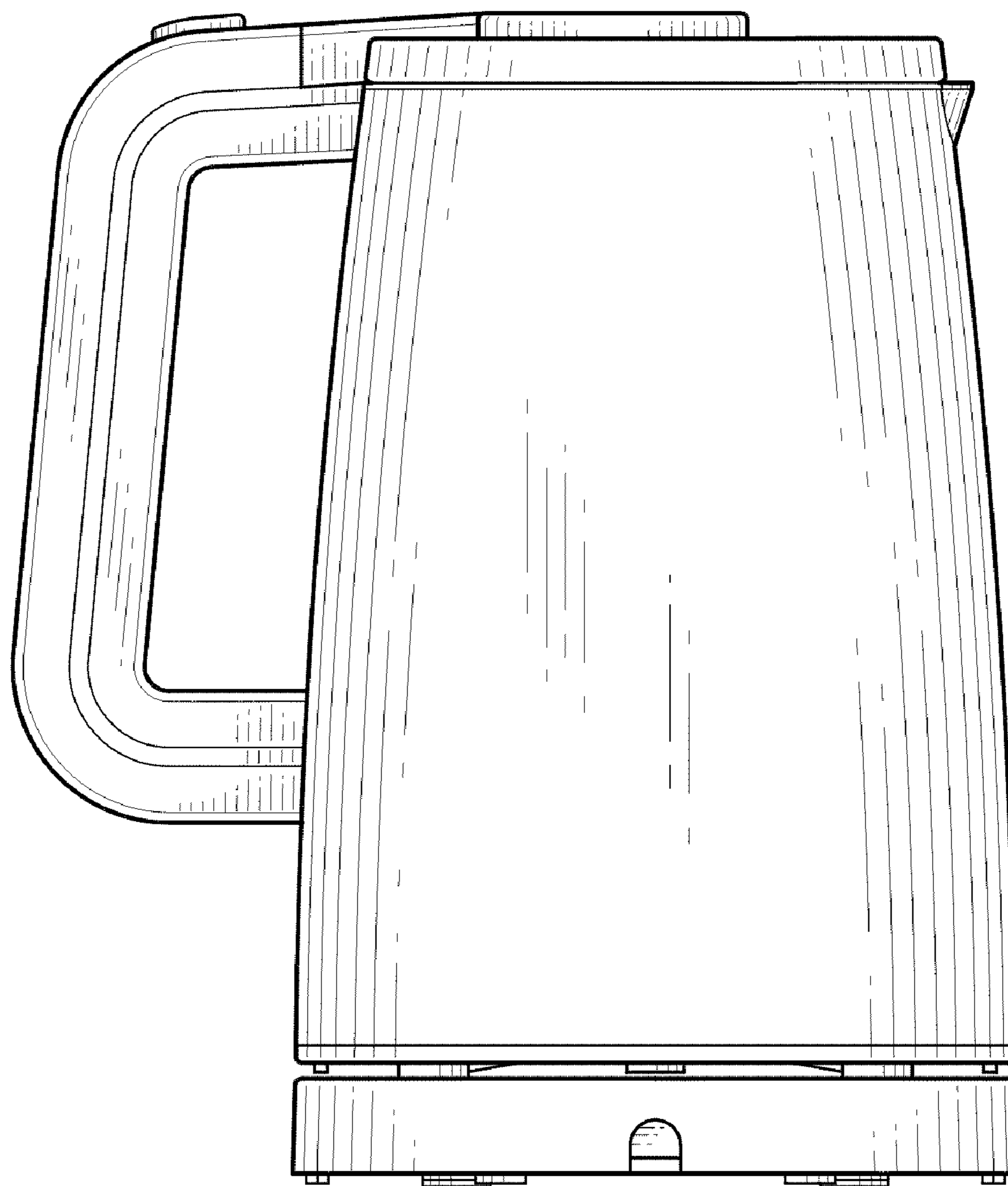


Fig. 3

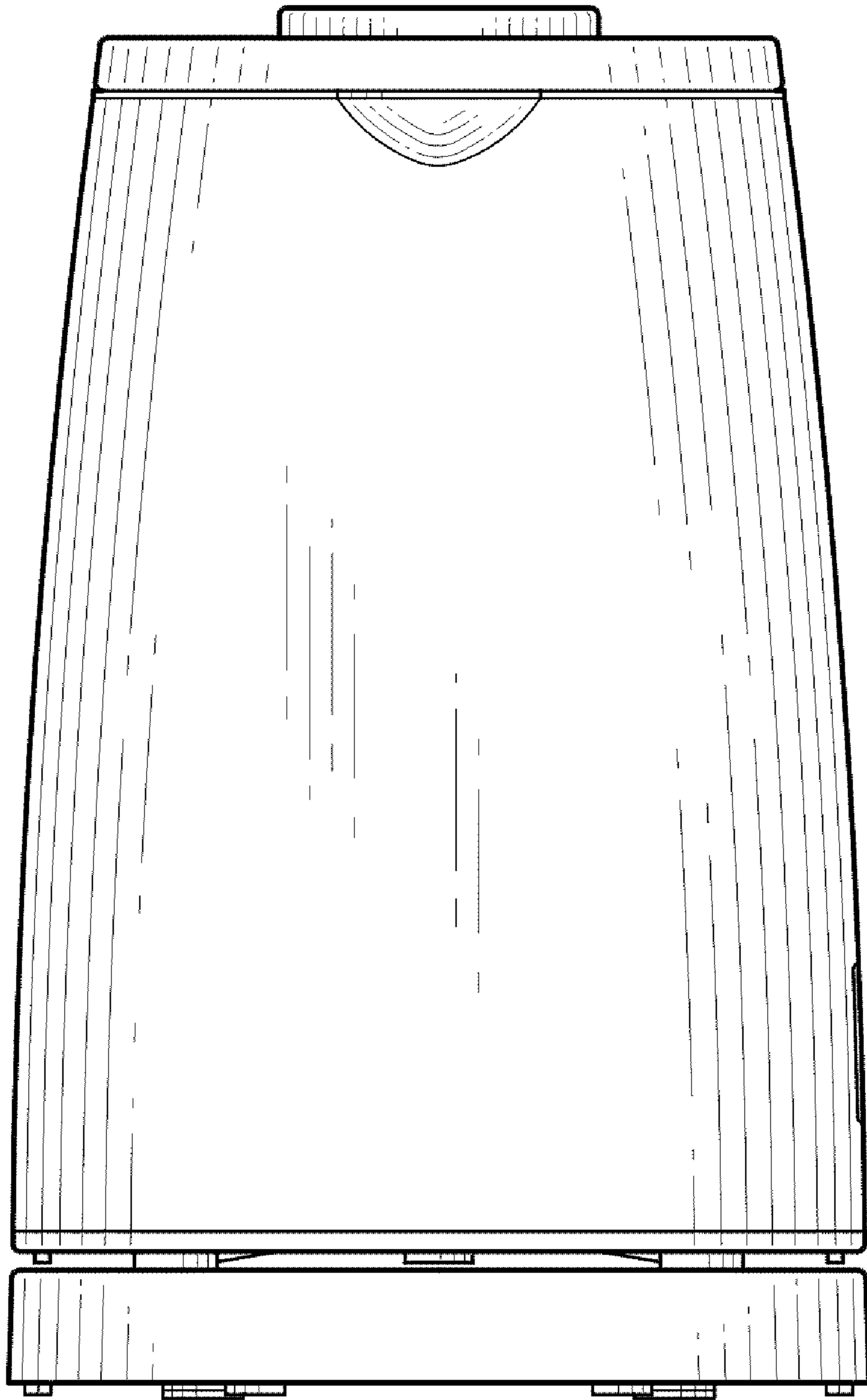


Fig. 4

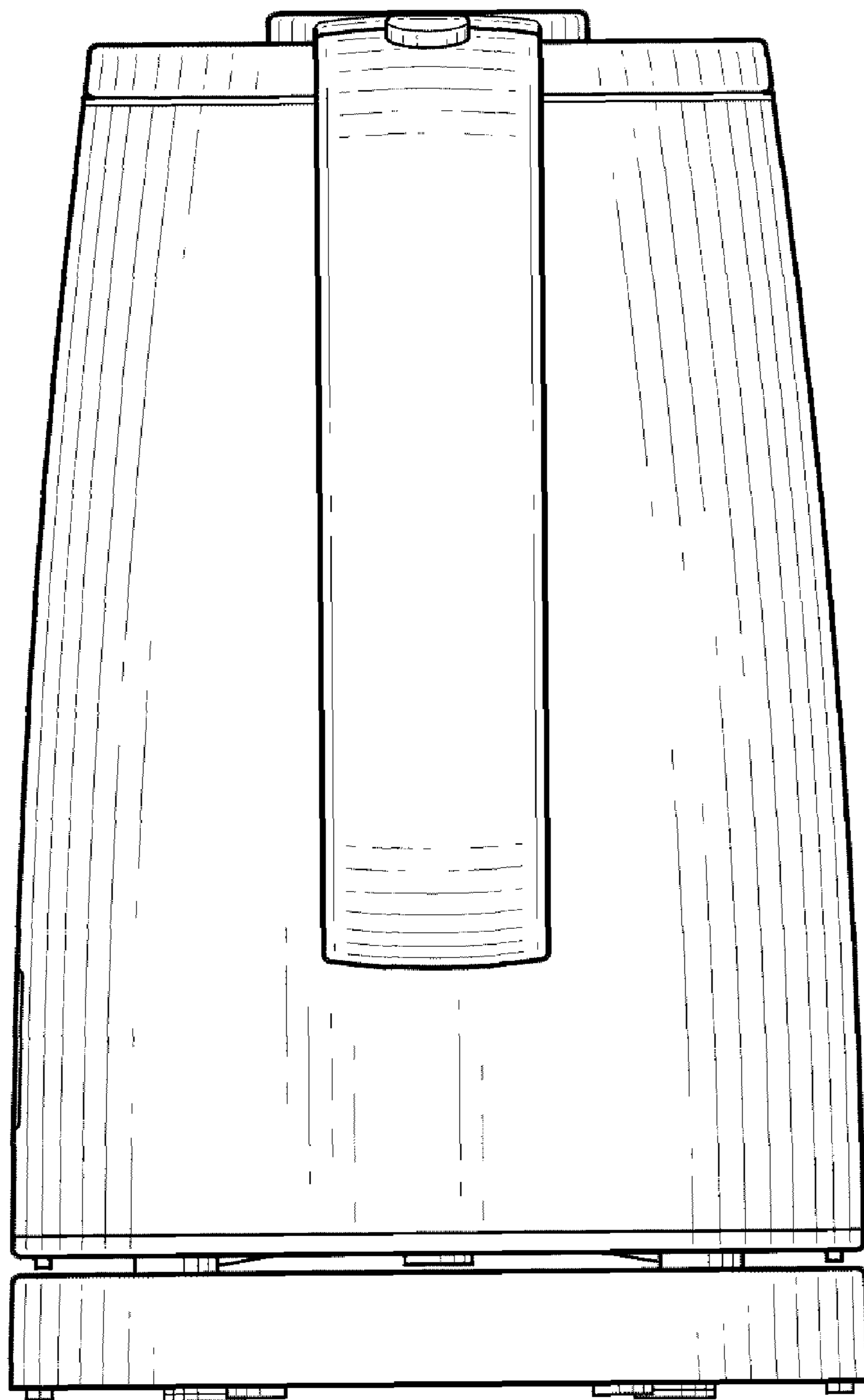


Fig. 5

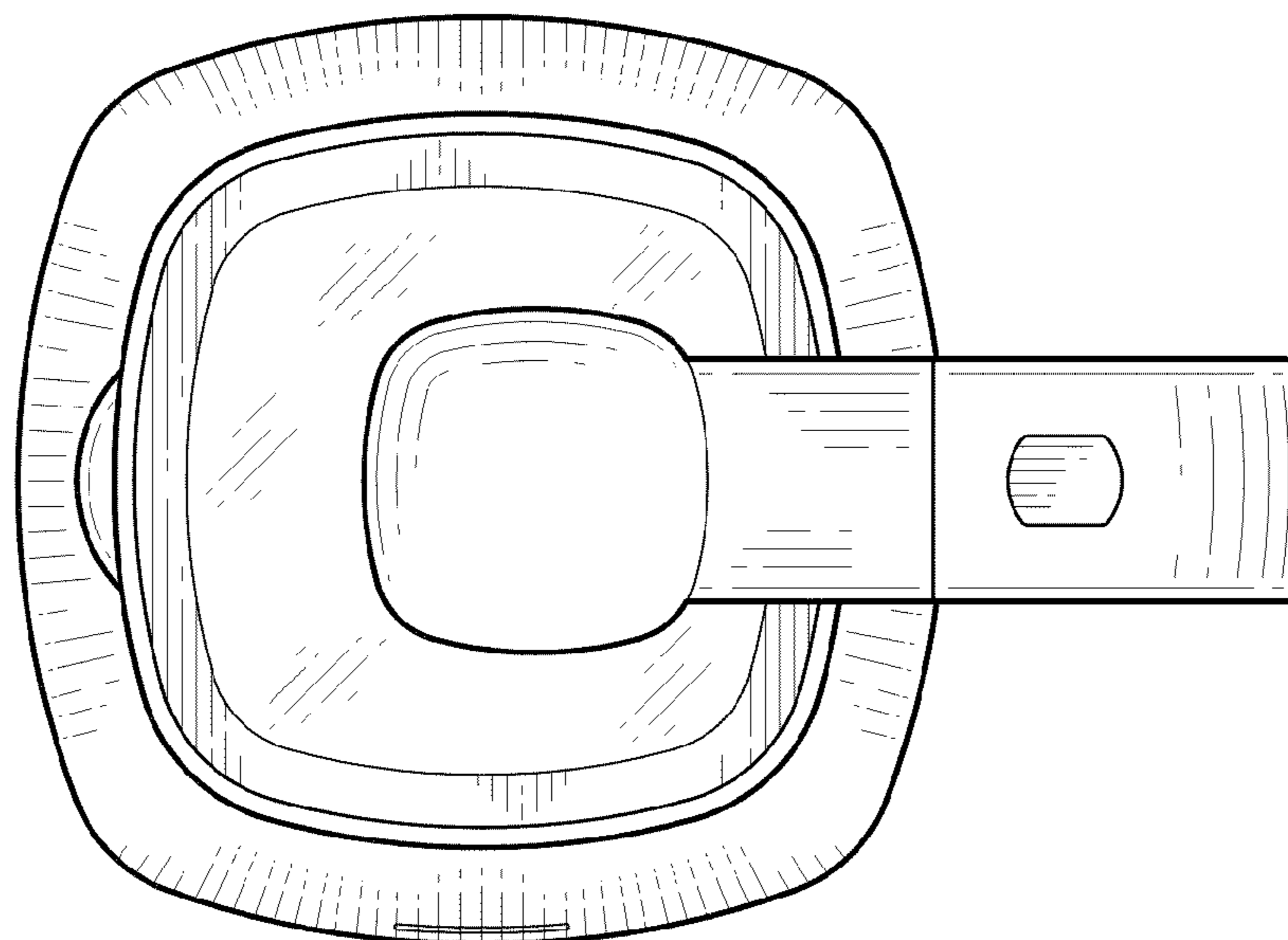


Fig. 6

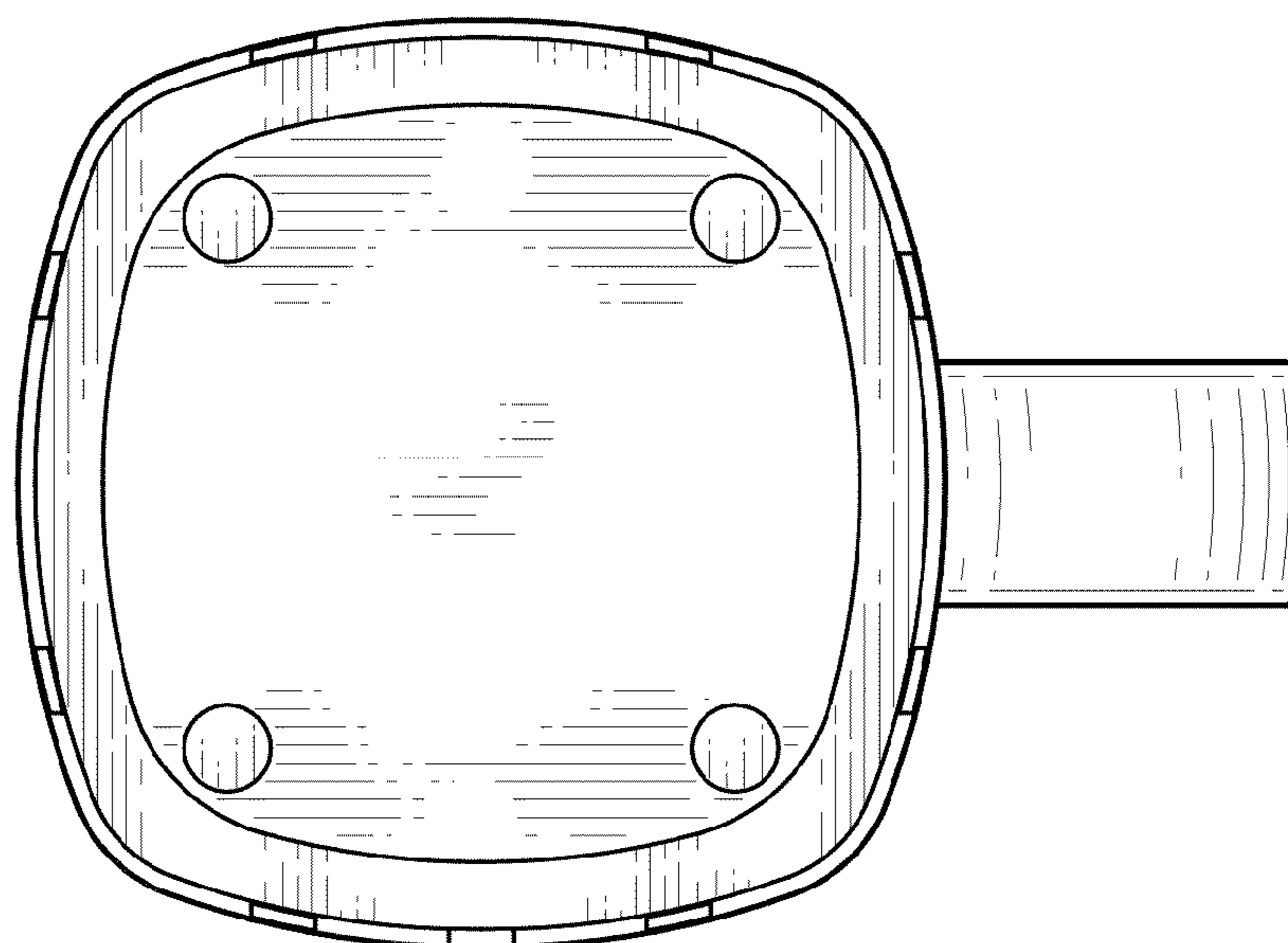


Fig. 7