



US00D645298S

(12) **United States Design Patent**
Saboe et al.

(10) **Patent No.:** **US D645,298 S**

(45) **Date of Patent:** **** *Sep. 20, 2011**

(54) **SOUP CHAFER**

DESCRIPTION

(75) Inventors: **J. Michael Saboe**, Charleston, SC (US);
David Raynor, Jr., Myrtle Beach, SC
(US); **John E. Cahill, Sr.**, Myrtle Beach,
SC (US)

(73) Assignee: **Conquest LLC**, Charleston, SC (US)

(**) Term: **14 Years**

(21) Appl. No.: **29/378,387**

(22) Filed: **Nov. 3, 2010**

(51) **LOC (9) Cl.** **07-02**

(52) **U.S. Cl.** **D7/366; D7/354; D7/355**

(58) **Field of Classification Search** D7/323,
D7/329-331, 339, 346-347, 350.1-350.4,
D7/354-366, 391, 393, 395, 402, 538, 542,
D7/587; 99/324-325, 331-332, 337-340,
99/369, 403-418, 422, 444, 483, 376, 449;
126/37 R, 261, 378.1; 206/501-505, 507-508;
211/181.1; 219/400, 405, 430-442, 620-624,
219/725, 730-735, 417; 220/316, 573.1-573.5,
220/912, 694; 426/438, 441

See application file for complete search history.

(56) **References Cited**

U.S. PATENT DOCUMENTS

1,701,989 A * 2/1929 Turner 126/37 R
D146,832 S * 5/1947 O'Connell D7/355
D168,905 S * 2/1953 O'Connell D7/355

(Continued)

Primary Examiner — Ricky Pham

(74) *Attorney, Agent, or Firm* — Nelson Mullins Riley &
Scarborough LLP

(57) **CLAIM**

The ornamental design of a soup chafer, as shown and
described.

The present application is related to commonly-assigned U.S. Design patent application Ser. No. 29/378,379, entitled "Chafing Dish," U.S. Design patent application Ser. No. 29/378,381, entitled "Chafing Dish Frame," U.S. Design patent application Ser. No. 29/378,383, entitled "Chafer Griddle," and U.S. Design patent application Ser. No. 29/378,385, entitled "Chafer Wok," which are filed concurrently herewith and which are incorporated by reference herein in their entireties for all purposes.

FIG. 1 shows a perspective view of a soup chafer showing a first embodiment of our design;

FIG. 2 shows a front elevation view of the soup chafer of FIG. 1;

FIG. 3 shows a right side elevation view of the soup chafer of FIG. 1;

FIG. 4 shows a rear elevation view of the soup chafer of FIG. 1;

FIG. 5 shows a left side elevation view of the soup chafer of FIG. 1;

FIG. 6 shows a top plan view of the soup chafer of FIG. 1;

FIG. 7 shows a bottom plan view of the soup chafer of FIG. 1;

FIG. 8 shows a perspective view of a soup chafer showing a second embodiment of our design;

FIG. 9 shows a front elevation view of the soup chafer of FIG. 8;

FIG. 10 shows a right side elevation view of the soup chafer of FIG. 8;

FIG. 11 shows a rear elevation of the soup chafer of FIG. 8;

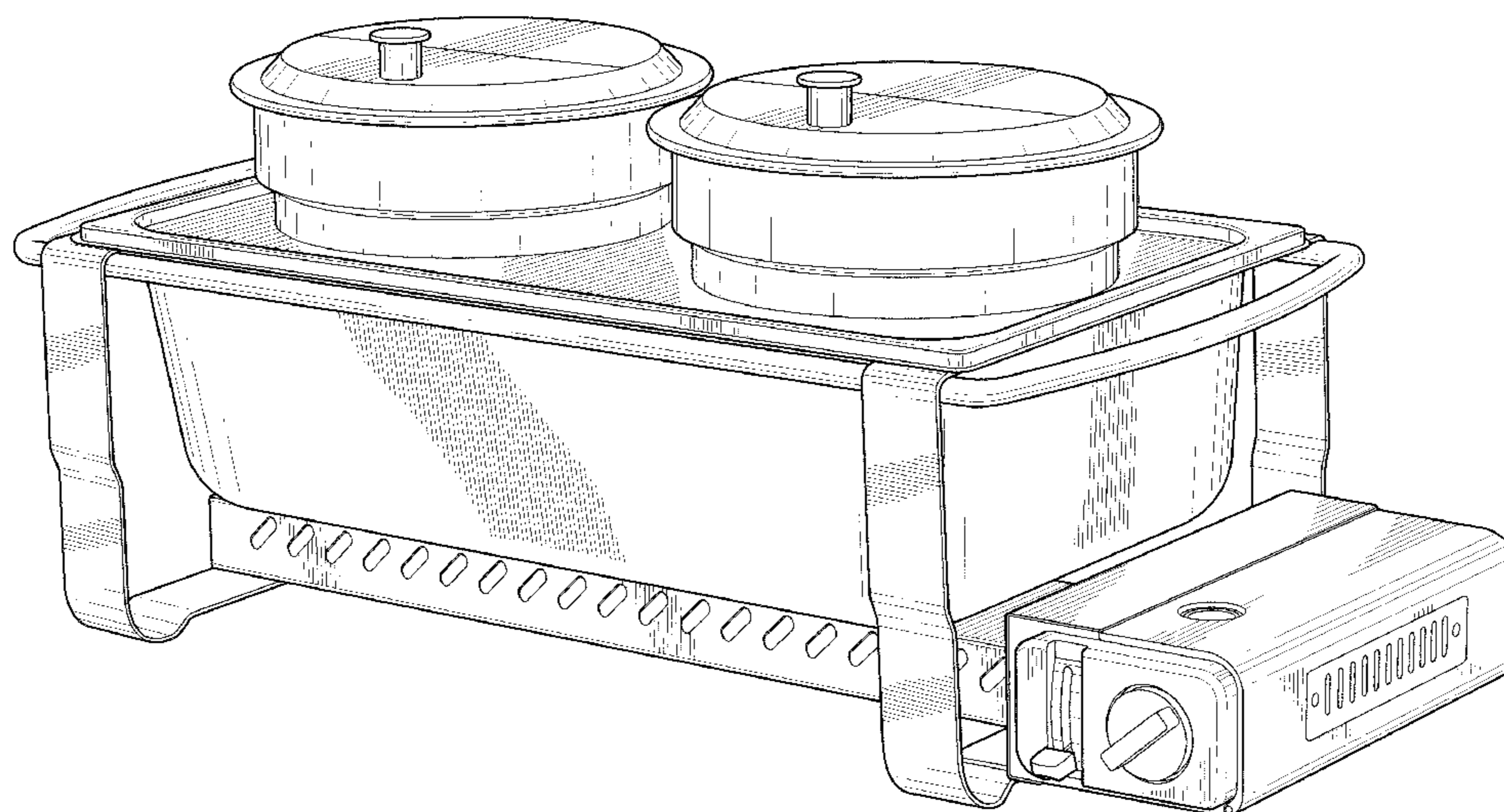
FIG. 12 shows a left side elevation view of the soup chafer of FIG. 8;

FIG. 13 shows a top plan view of the soup chafer of FIG. 8; and,

FIG. 14 shows a bottom plan view of the soup chafer of FIG. 8.

The broken lines are included for the purpose of illustrating portions of the soup chafer that form no part of the claimed design.

1 Claim, 14 Drawing Sheets



US D645,298 S

Page 2

U.S. PATENT DOCUMENTS

2,731,539	A *	1/1956	Pavelka, Jr.	219/417	D401,805	S	12/1998	Benz	
D181,298	S *	10/1957	Lax	D7/355	5,977,521	A *	11/1999	Mehta et al.	219/436
D192,900	S *	5/1962	Epstein	D7/364	5,979,428	A	11/1999	Greene, Jr.	
3,361,126	A	1/1968	Bloomfield		D434,268	S	11/2000	Yu	
3,377,942	A *	4/1968	Carbon	99/376	6,157,007	A *	12/2000	Scott, III	219/437
D213,717	S *	4/1969	Rickmeier	D7/355	6,234,068	B1 *	5/2001	Sherman	99/449
4,122,764	A	10/1978	D'Ambra		6,468,072	B2	10/2002	Shook	
4,176,593	A	12/1979	Terzian		D468,580	S	1/2003	Ruiseco	
4,759,276	A	7/1988	Segroves		6,593,551	B2	7/2003	Haber	
4,838,446	A *	6/1989	Ali	220/694	D488,669	S	4/2004	Tse	
4,873,921	A *	10/1989	Plane, Sr.	99/422	6,872,920	B2	3/2005	Haber	
4,899,722	A	2/1990	Horewitch		6,941,943	B1	9/2005	Cahill et al.	
4,908,487	A *	3/1990	Sarnoff et al.	219/735	7,090,094	B2	8/2006	Wade	
4,920,873	A	5/1990	Stevens		D548,001	S	8/2007	Gross	
5,119,800	A	6/1992	Roberts et al.		7,708,006	B2	5/2010	Sun	
5,203,257	A *	4/1993	Goad	99/483	D626,377	S *	11/2010	Contreras et al.	D7/402
5,211,157	A	5/1993	Schwartz et al.		2003/0192525	A1	10/2003	Ruiseco	
5,241,900	A *	9/1993	Piane, Sr.	99/422	2005/0076795	A1 *	4/2005	Riddle	99/483
5,381,729	A *	1/1995	Hennessy et al.	99/483	2005/0150395	A1	7/2005	Olekaibe et al.	
5,453,596	A *	9/1995	Verveniotis	219/433	2005/0167381	A1 *	8/2005	Fariello	211/181.1
5,467,697	A *	11/1995	Hunziker	99/449	2006/0090744	A1	5/2006	Wojcik et al.	
5,819,640	A *	10/1998	Cuomo et al.	99/483					

* cited by examiner

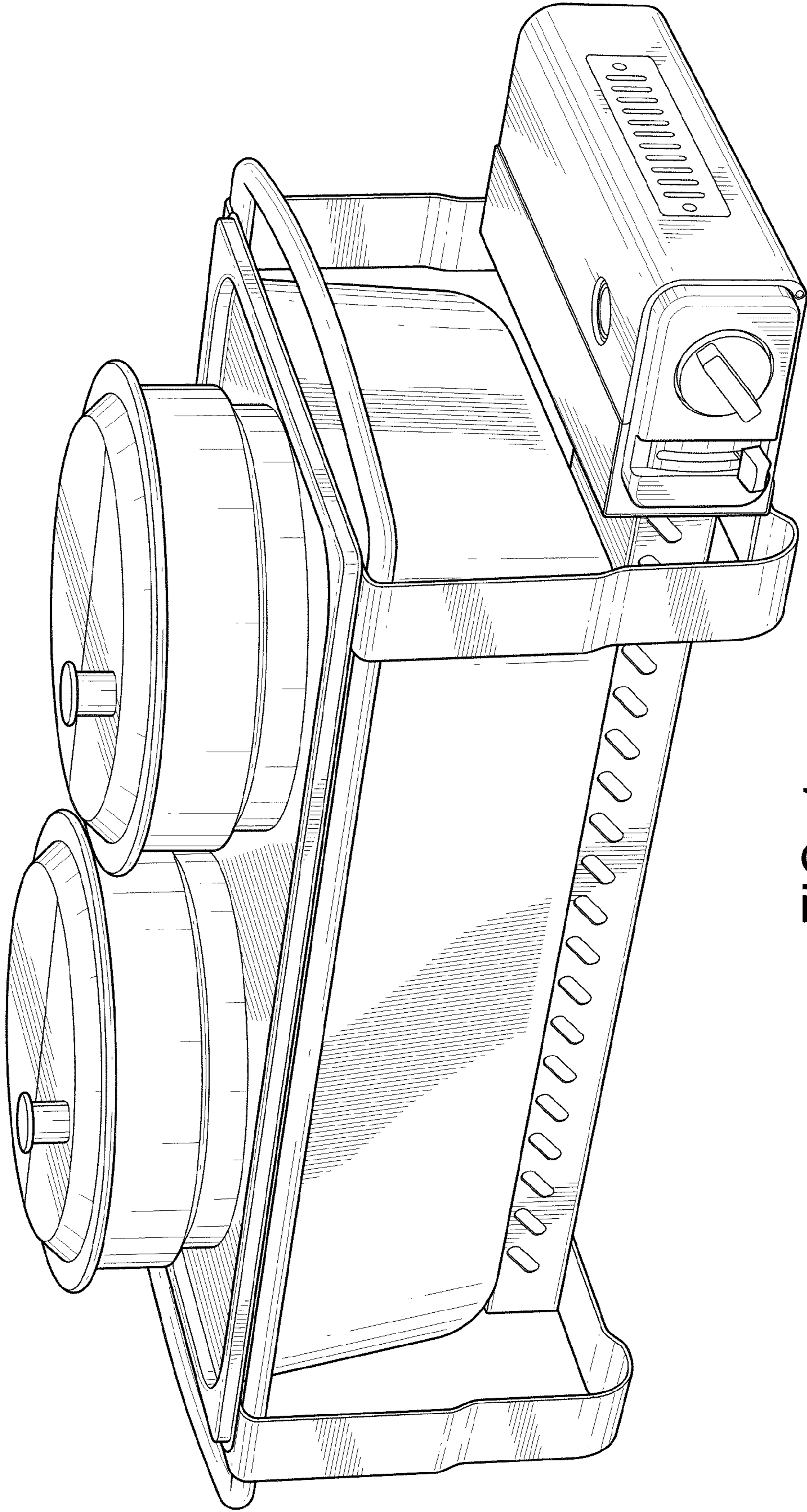


FIG. 1

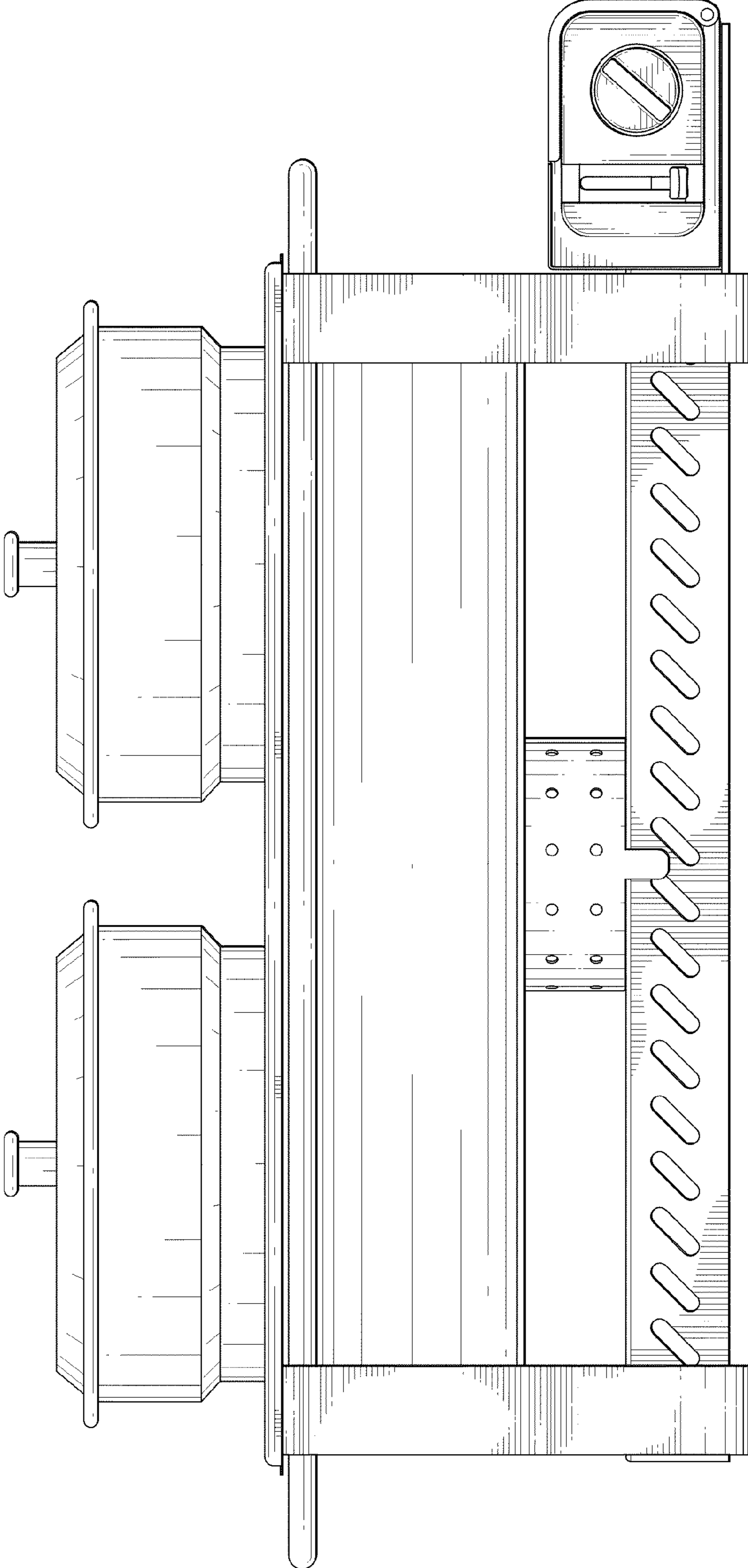


FIG. 2

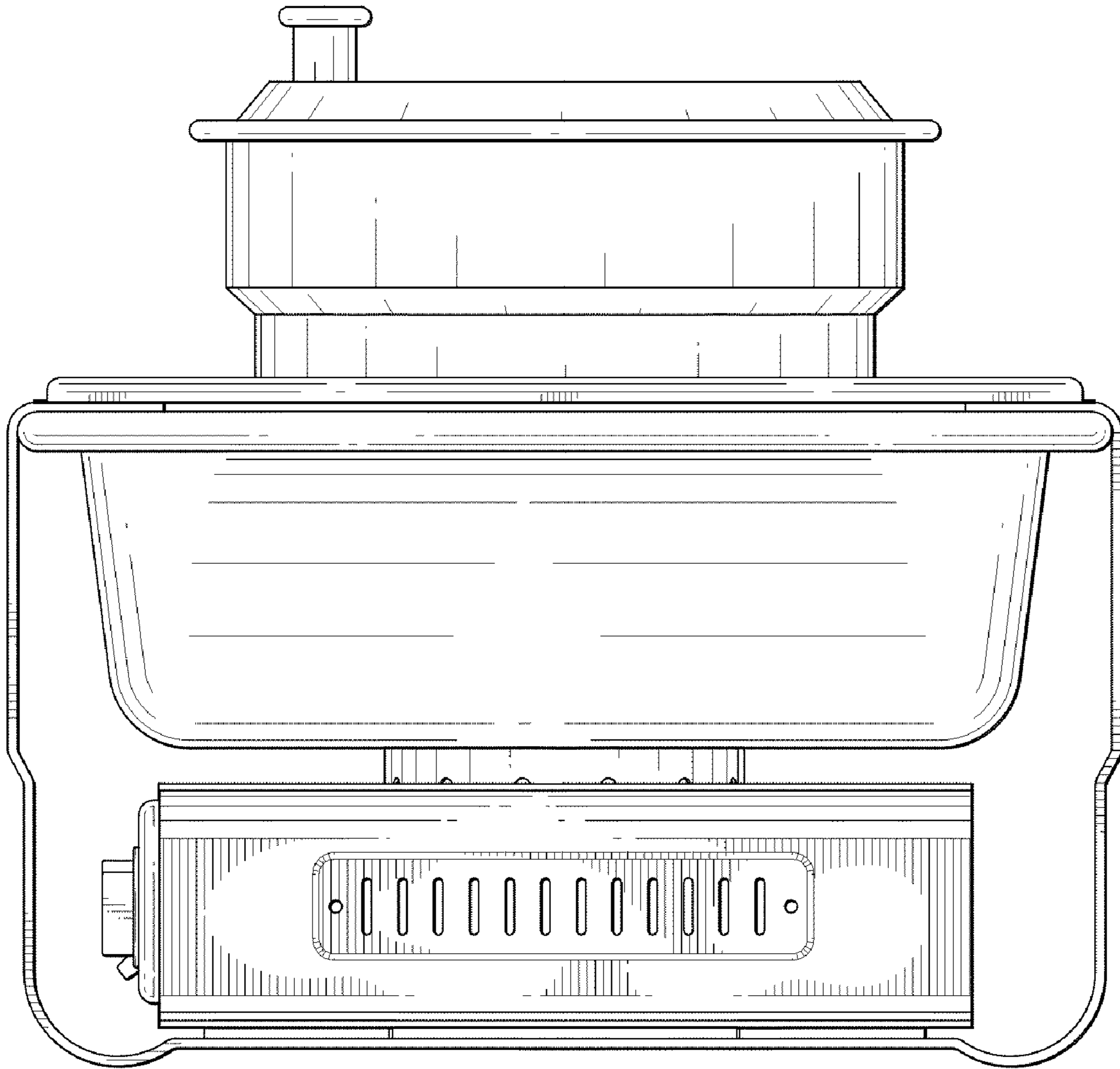


FIG. 3

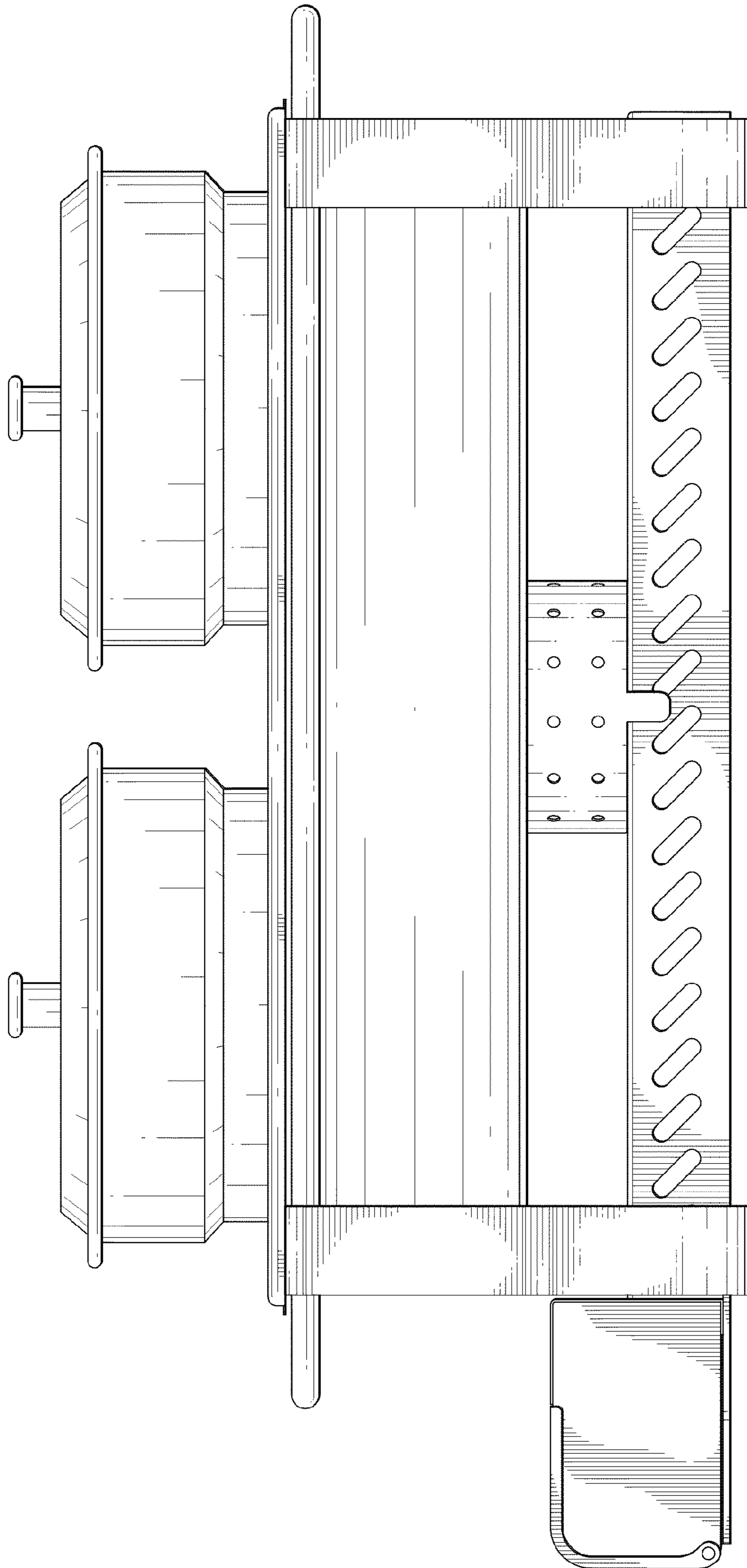


FIG. 4

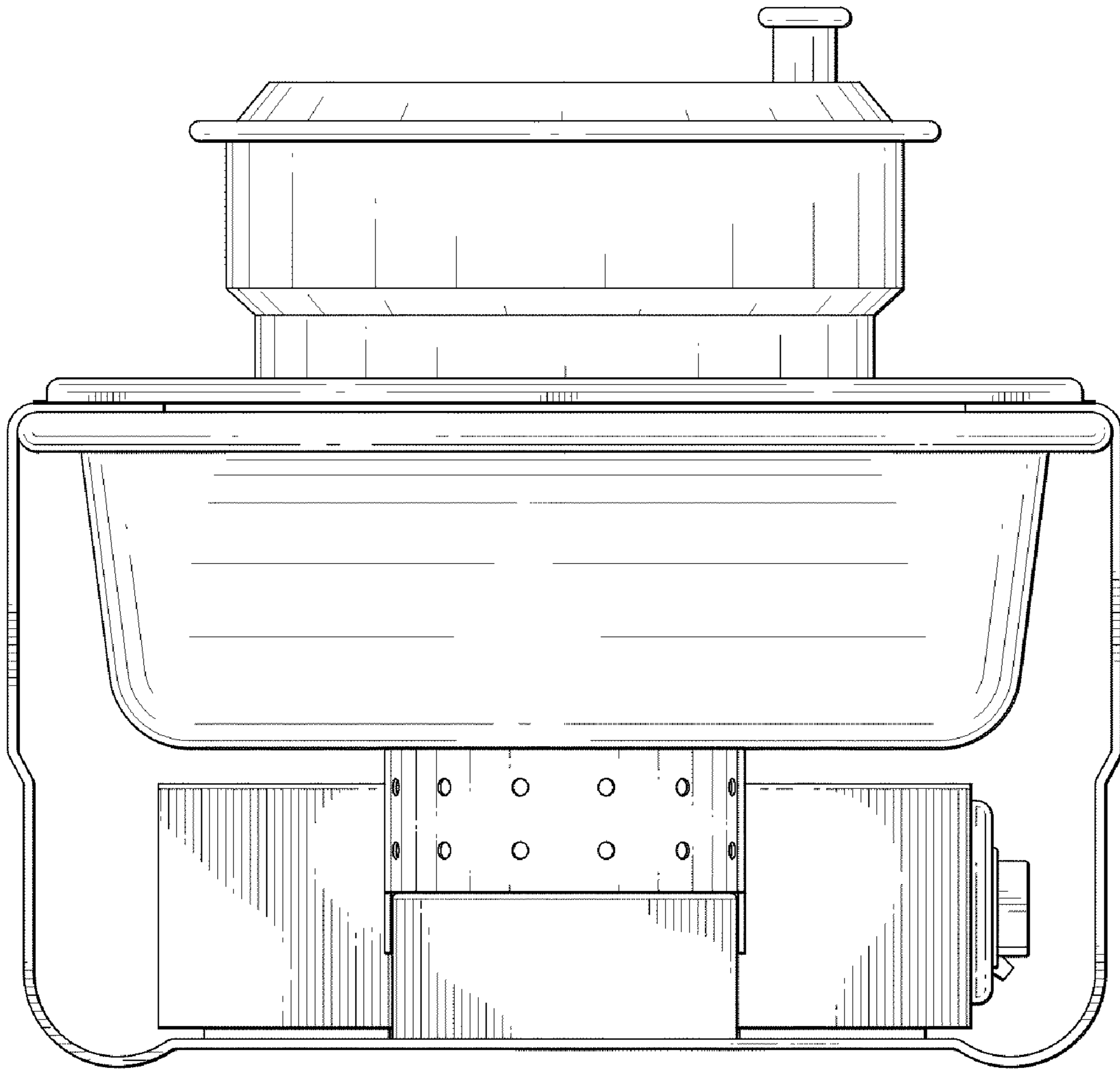


FIG. 5

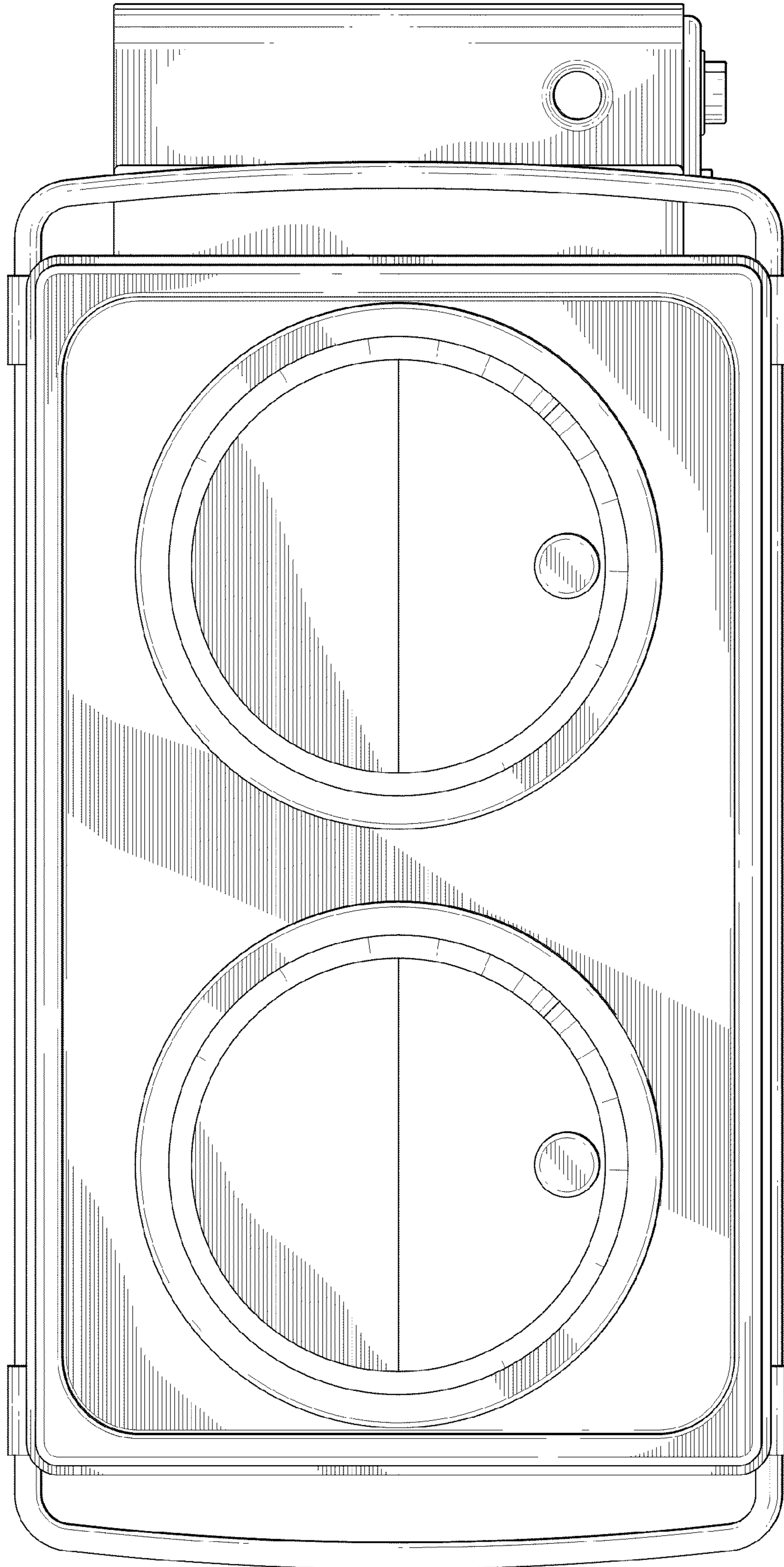


FIG. 6

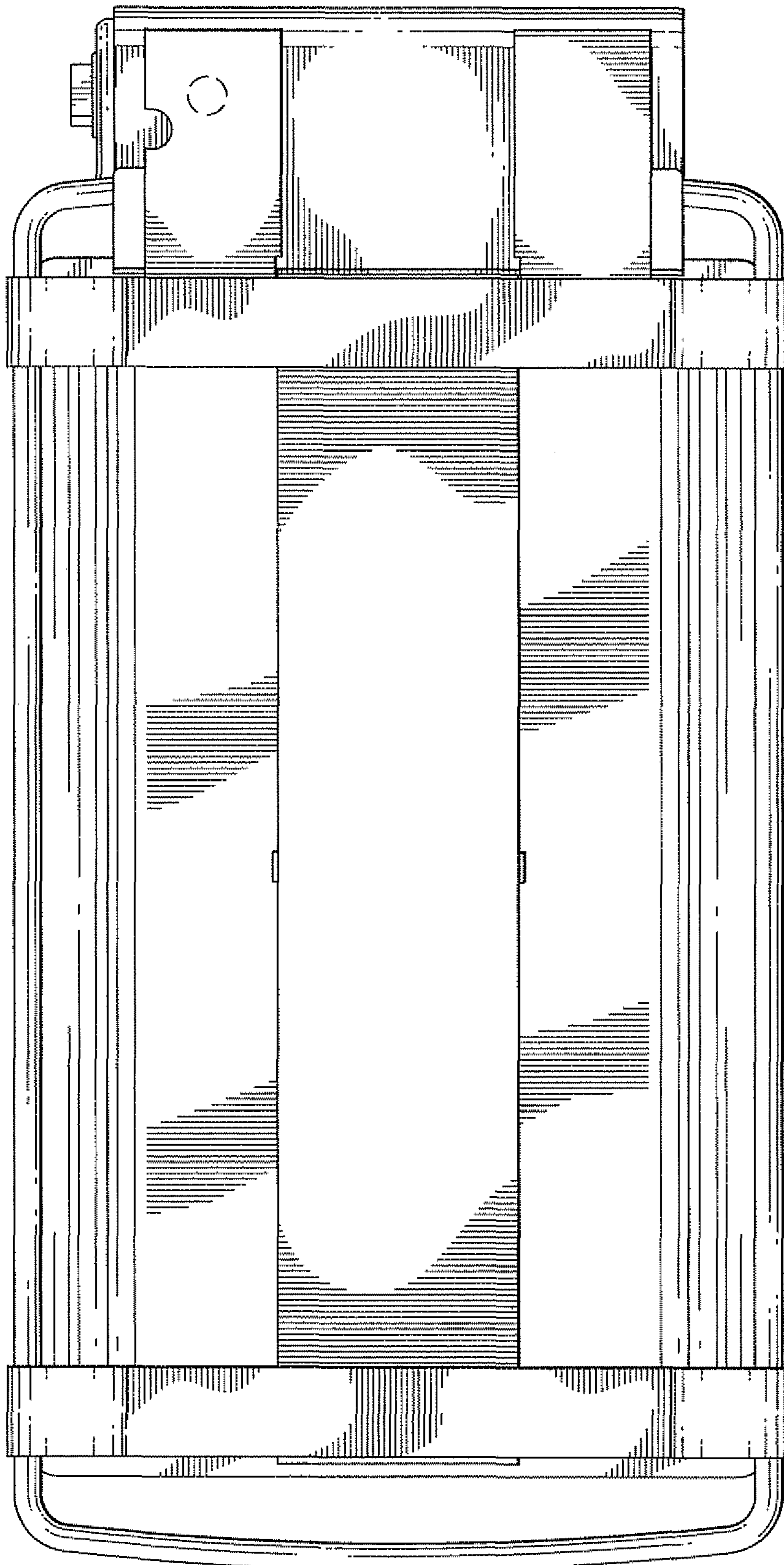


FIG. 7

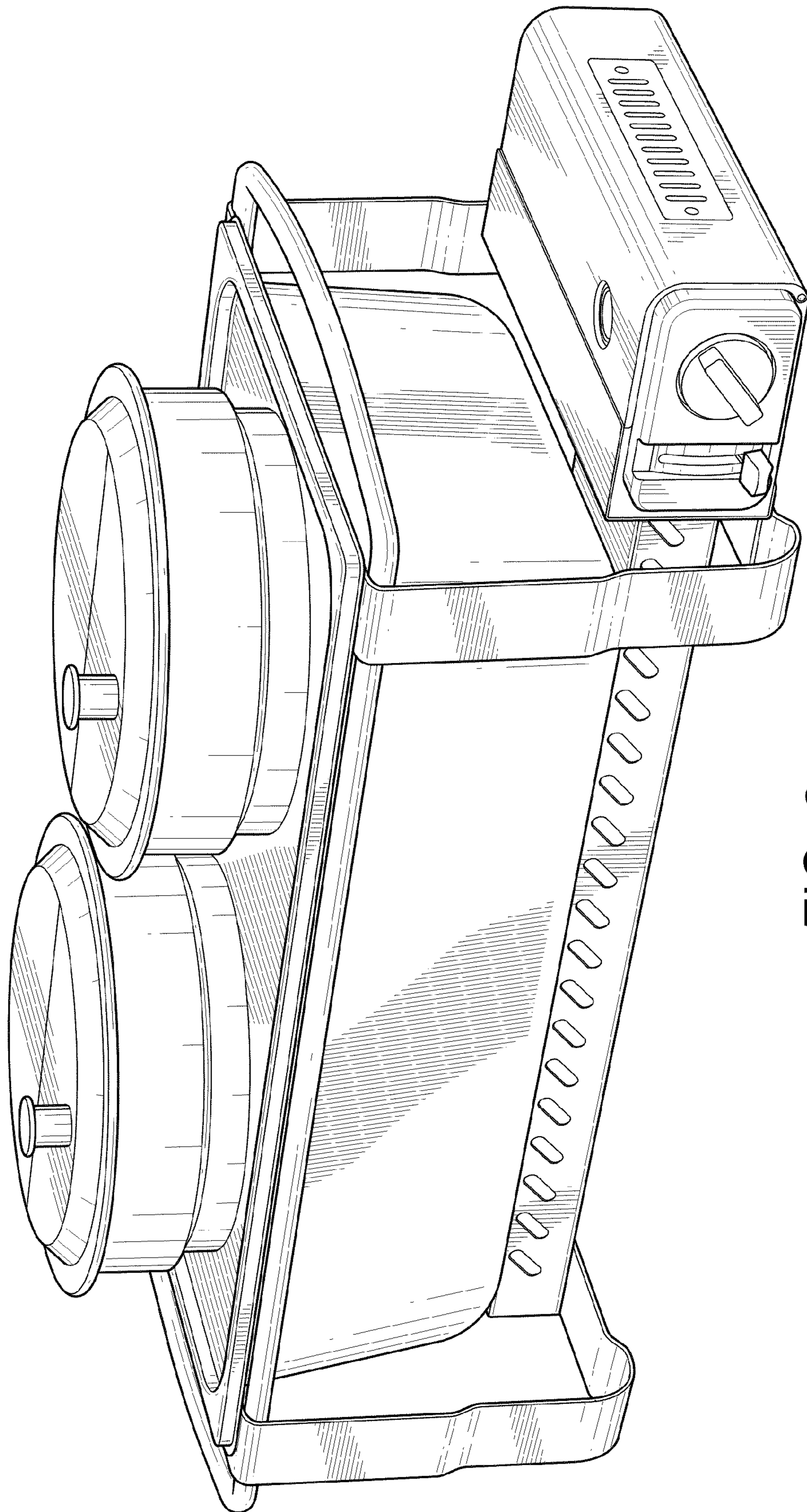


FIG. 8

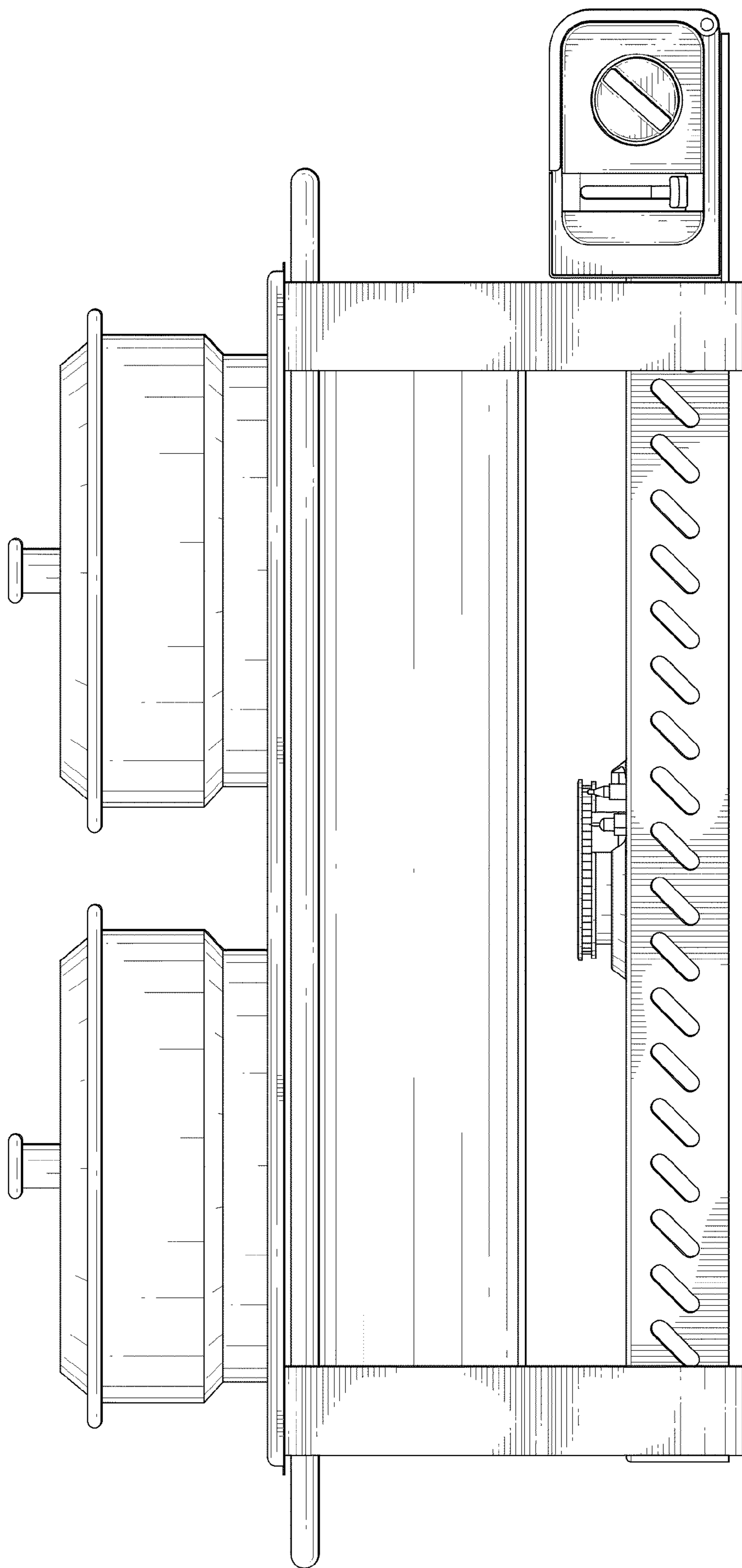


FIG. 9

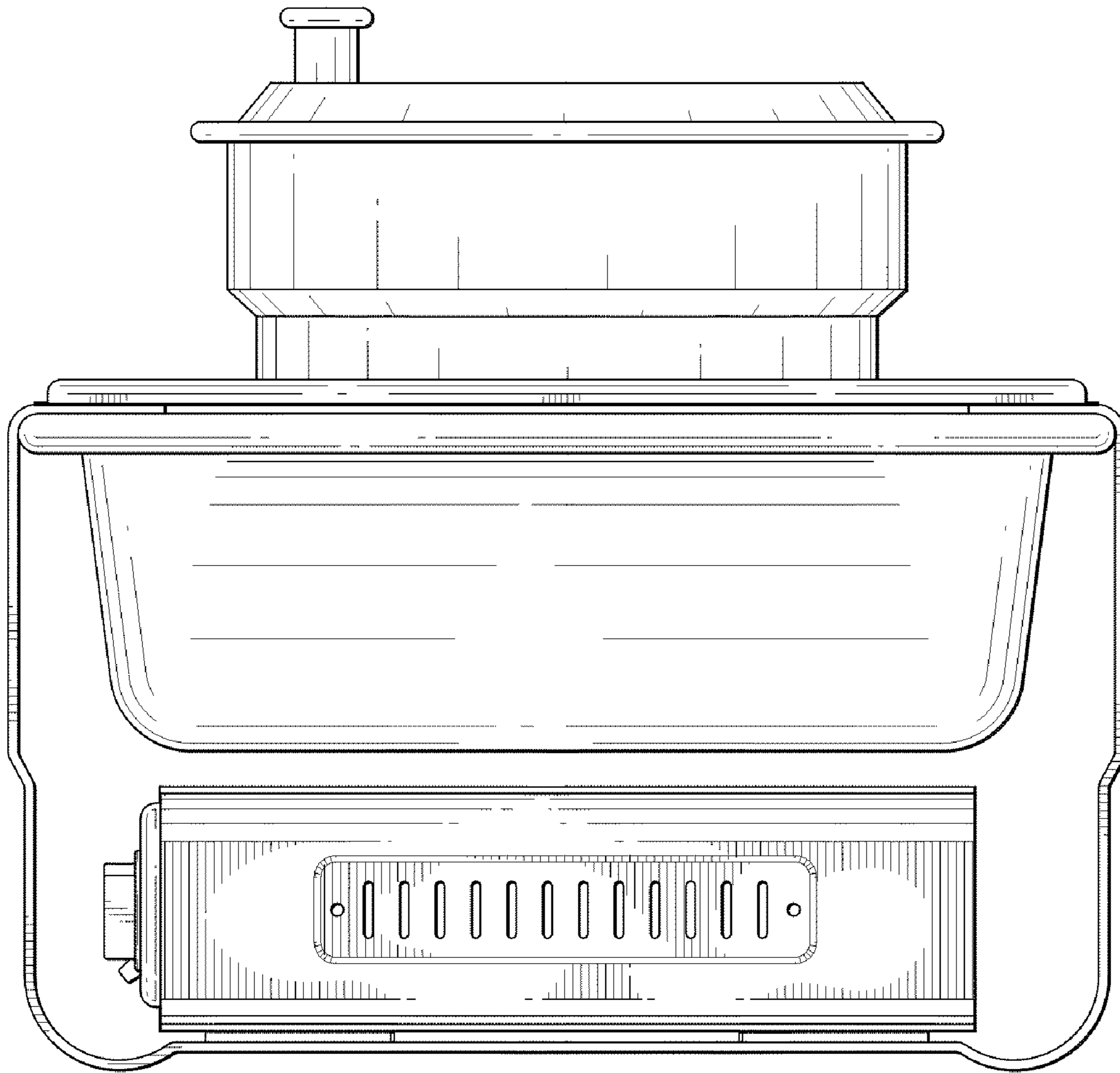


FIG. 10

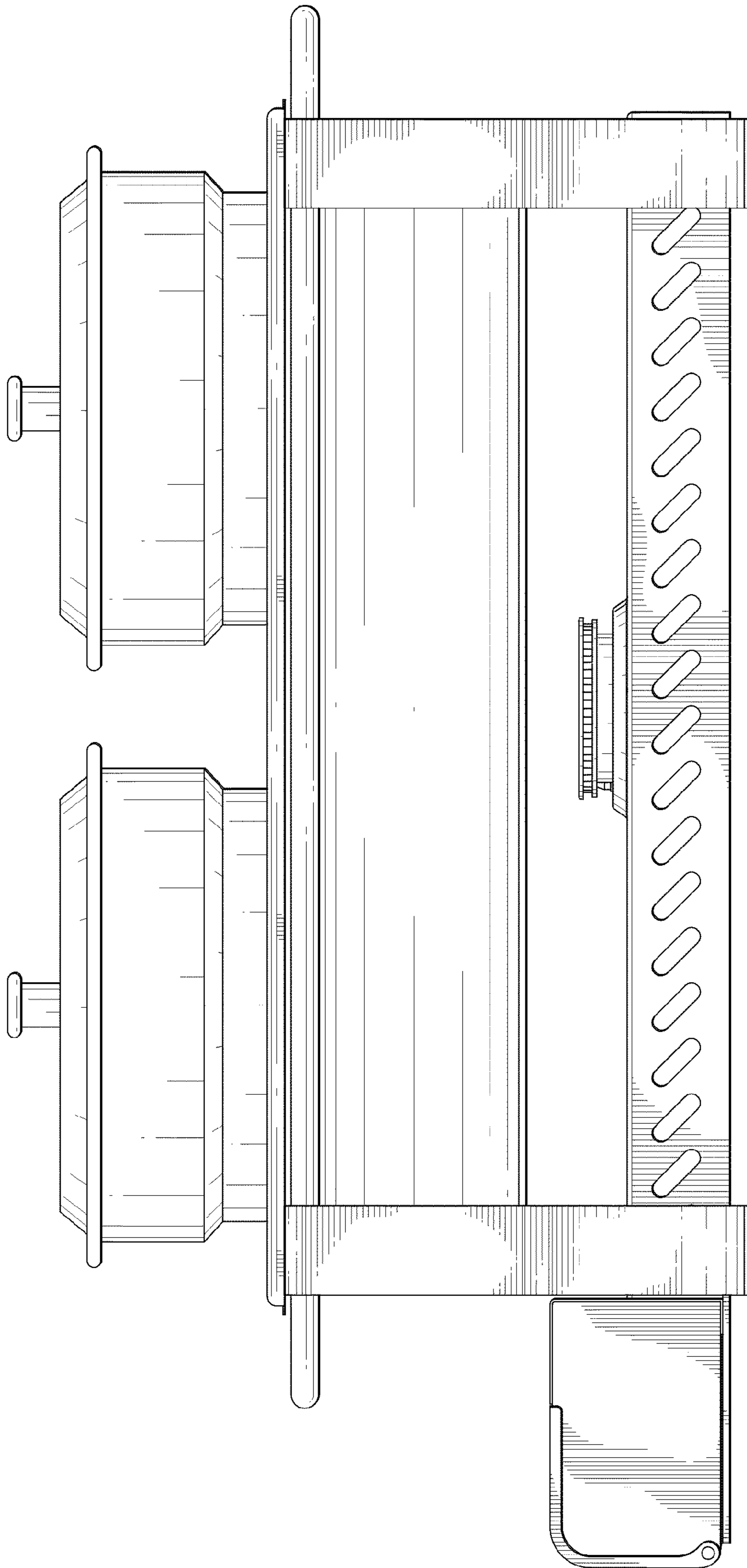


FIG. 11

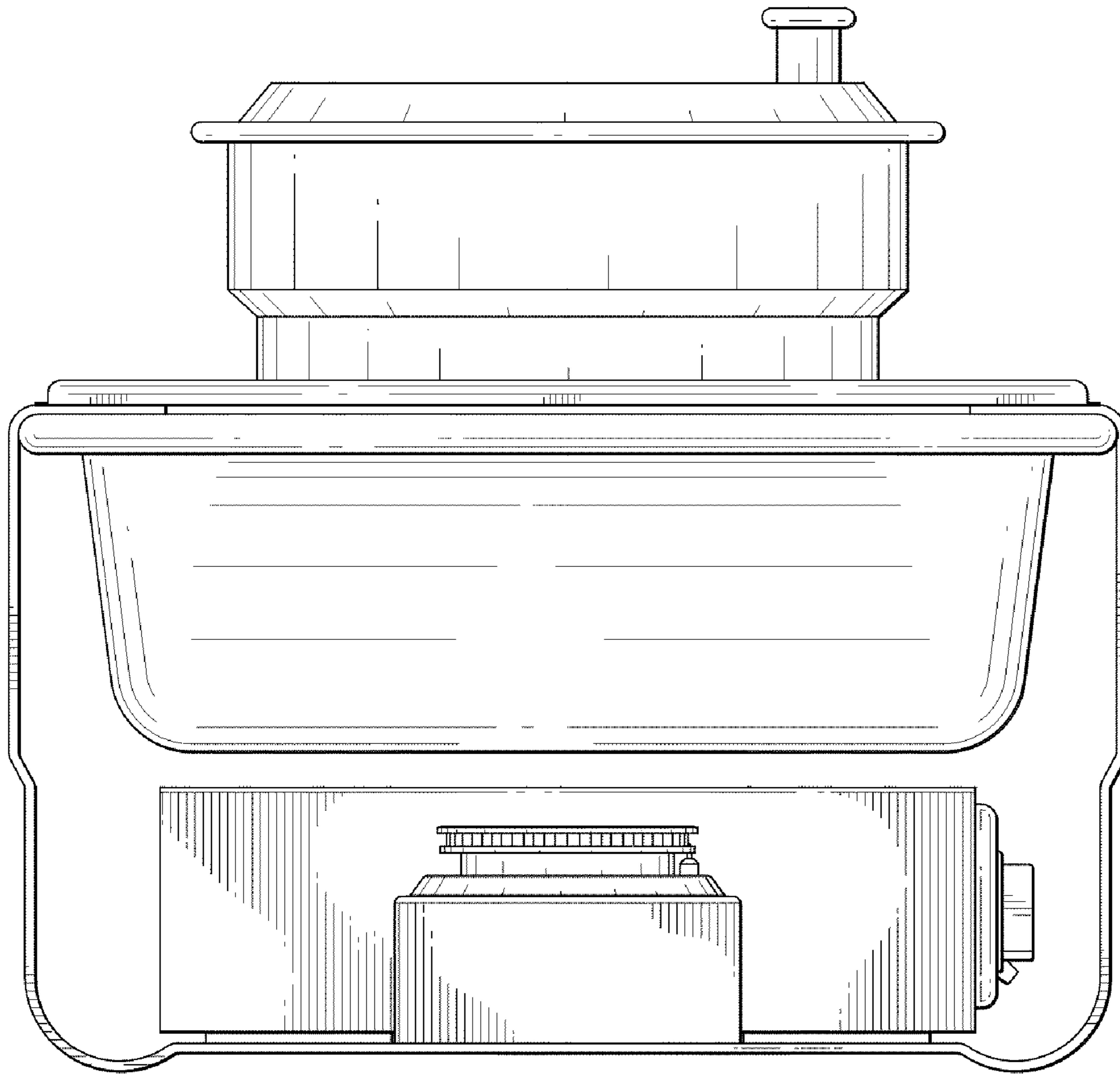


FIG. 12

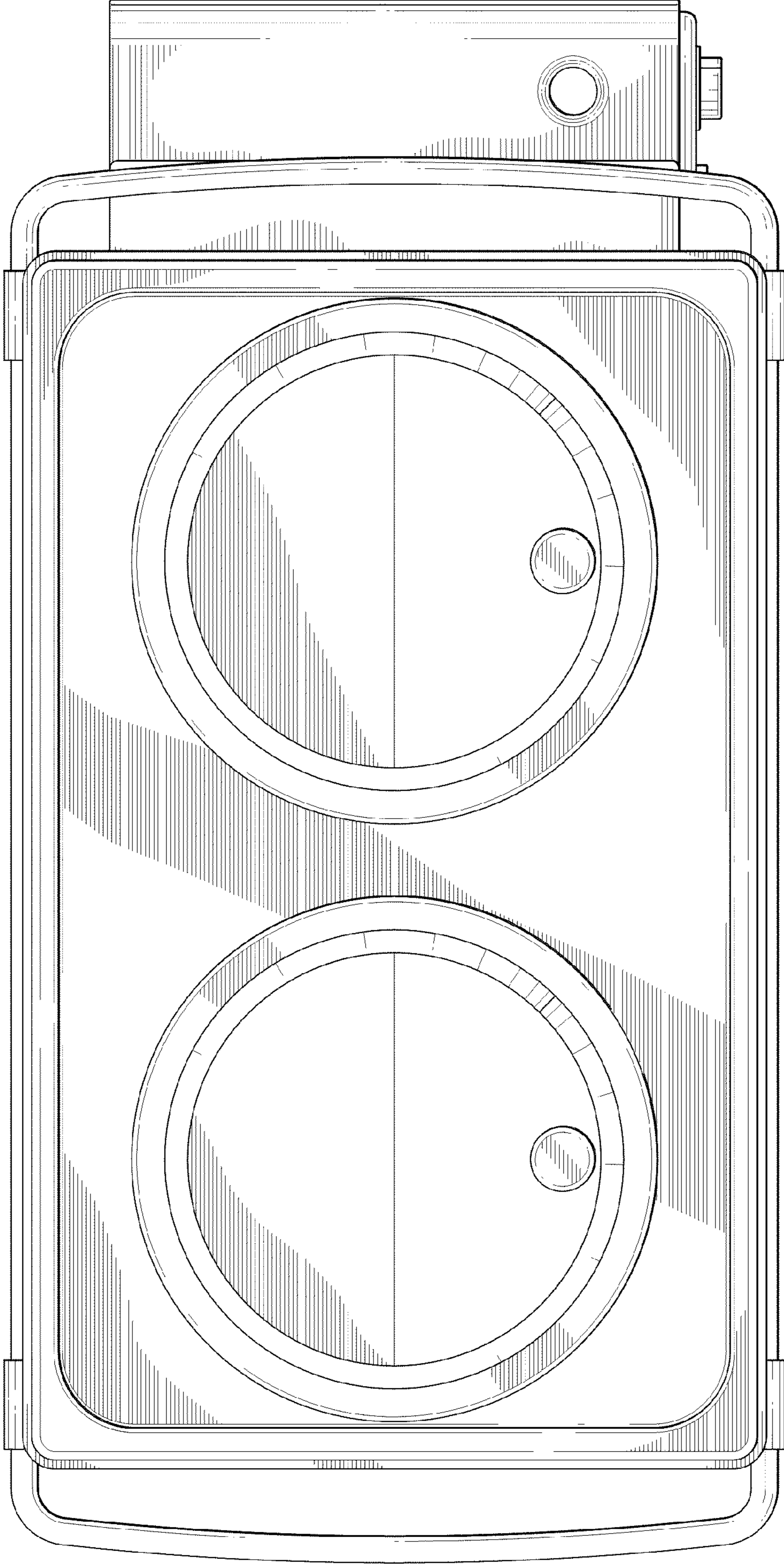


FIG. 13

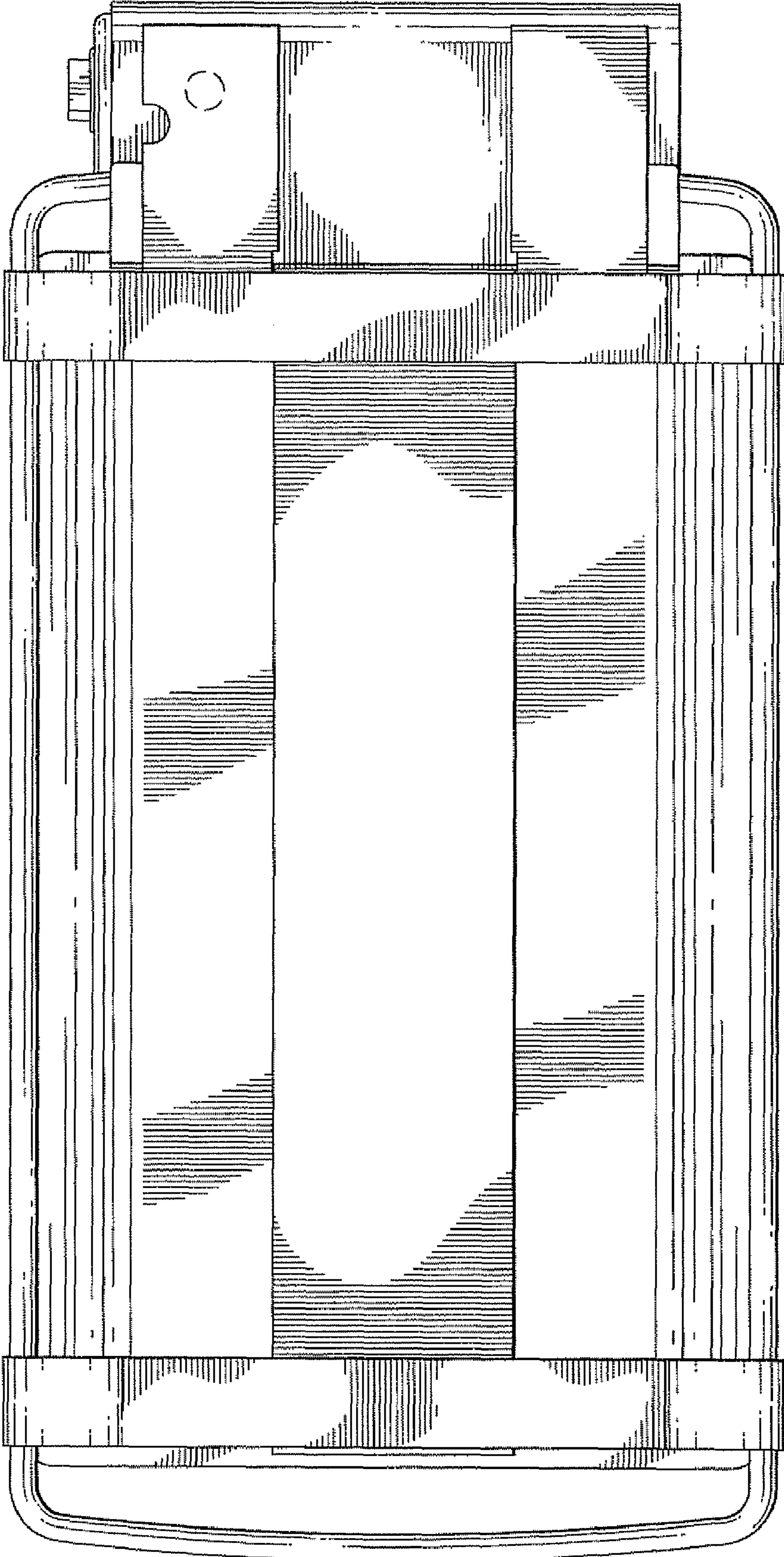


FIG. 14