



US00D645297S

(12) **United States Design Patent**  
**Saboe et al.**

(10) **Patent No.:** **US D645,297 S**

(45) **Date of Patent:** **\*\* \*Sep. 20, 2011**

(54) **CHAFER WOK**

(75) Inventors: **J. Michael Saboe**, Charleston, SC (US);  
**David Raynor, Jr.**, Myrtle Beach, SC  
(US); **John E. Cahill, Sr.**, Myrtle Beach,  
SC (US)

(73) Assignee: **Conquest LLC**, Charleston, SC (US)

(\*\*) Term: **14 Years**

(21) Appl. No.: **29/378,385**

(22) Filed: **Nov. 3, 2010**

(51) **LOC (9) Cl.** ..... **07-02**

(52) **U.S. Cl.** ..... **D7/366; D7/354; D7/355**

(58) **Field of Classification Search** ..... D7/323,  
D7/329–331, 339, 346–347, 350.1–350.4,  
D7/354–366, 391, 393, 395, 402, 538, 542,  
D7/587; 99/324–325, 331–332, 337–340,  
99/369, 403–418, 422, 444, 483, 376, 449;  
126/37 R, 261, 378.1; 206/501–505, 507–508;  
211/181.1; 219/400, 405, 430–442, 620–624,  
219/725, 730–735, 417; 220/316, 573.1–573.5,  
220/912, 694; 426/438, 441

See application file for complete search history.

(56) **References Cited**

**U.S. PATENT DOCUMENTS**

|           |     |         |              |       |          |
|-----------|-----|---------|--------------|-------|----------|
| 1,701,989 | A * | 2/1929  | Turner       | ..... | 126/37 R |
| D146,832  | S * | 5/1947  | O’Connell    | ..... | D7/355   |
| D168,905  | S * | 2/1953  | O’Connell    | ..... | D7/355   |
| 2,731,539 | A * | 1/1956  | Pavelka, Jr. | ..... | 219/417  |
| D181,298  | S * | 10/1957 | Lax          | ..... | D7/355   |
| D192,900  | S * | 5/1962  | Epstein      | ..... | D7/364   |
| 3,361,126 | A   | 1/1968  | Bloomfield   |       |          |
| 3,377,942 | A * | 4/1968  | Carbon       | ..... | 99/376   |
| D213,717  | S * | 4/1969  | Rickmeier    | ..... | D7/355   |
| 4,122,764 | A   | 10/1978 | D’Ambra      |       |          |
| 4,176,593 | A * | 12/1979 | Terzian      | ..... | 99/422   |
| 4,759,276 | A   | 7/1988  | Segroves     |       |          |
| 4,838,446 | A * | 6/1989  | Ali          | ..... | 220/694  |

(Continued)

(74) *Attorney, Agent, or Firm* — Nelson Mullins Riley & Scarborough LLP

(57) **CLAIM**

The ornamental design of a chafer wok, as shown and described.

**DESCRIPTION**

The present application is related to commonly-assigned U.S. Design patent application Ser. No. 29/378,381, entitled “Chafing Dish Frame,” U.S. Design patent application Ser. No. 29/378,379, entitled “Chafing Dish,” U.S. Design patent application Ser. No. 29/378,383, entitled “Chafer Griddle,” and U.S. Design patent application Ser. No. 29/378,387, entitled “Soup Chafer,” which are filed concurrently herewith and which are incorporated by reference herein in their entireties for all purposes.

FIG. 1 shows a perspective view of a chafer wok showing a first embodiment of our design;

FIG. 2 shows a front elevation view of the chafer wok of FIG. 1;

FIG. 3 shows a right side elevation view of the chafer wok of FIG. 1;

FIG. 4 shows a rear elevation view of the chafer wok of FIG. 1;

FIG. 5 shows a left side elevation view of the chafer wok of FIG. 1;

FIG. 6 shows a top plan view of the chafer wok of FIG. 1;

FIG. 7 shows a bottom plan view of the chafer wok of FIG. 1;

FIG. 8 shows a perspective view of a chafer wok showing a second embodiment of our design;

FIG. 9 shows a front elevation view of the chafer wok of FIG. 8;

FIG. 10 shows a right side elevation view of the chafer wok of FIG. 8;

FIG. 11 shows a rear elevation of the chafer wok of FIG. 8;

FIG. 12 shows a left side elevation view of the chafer wok of FIG. 8;

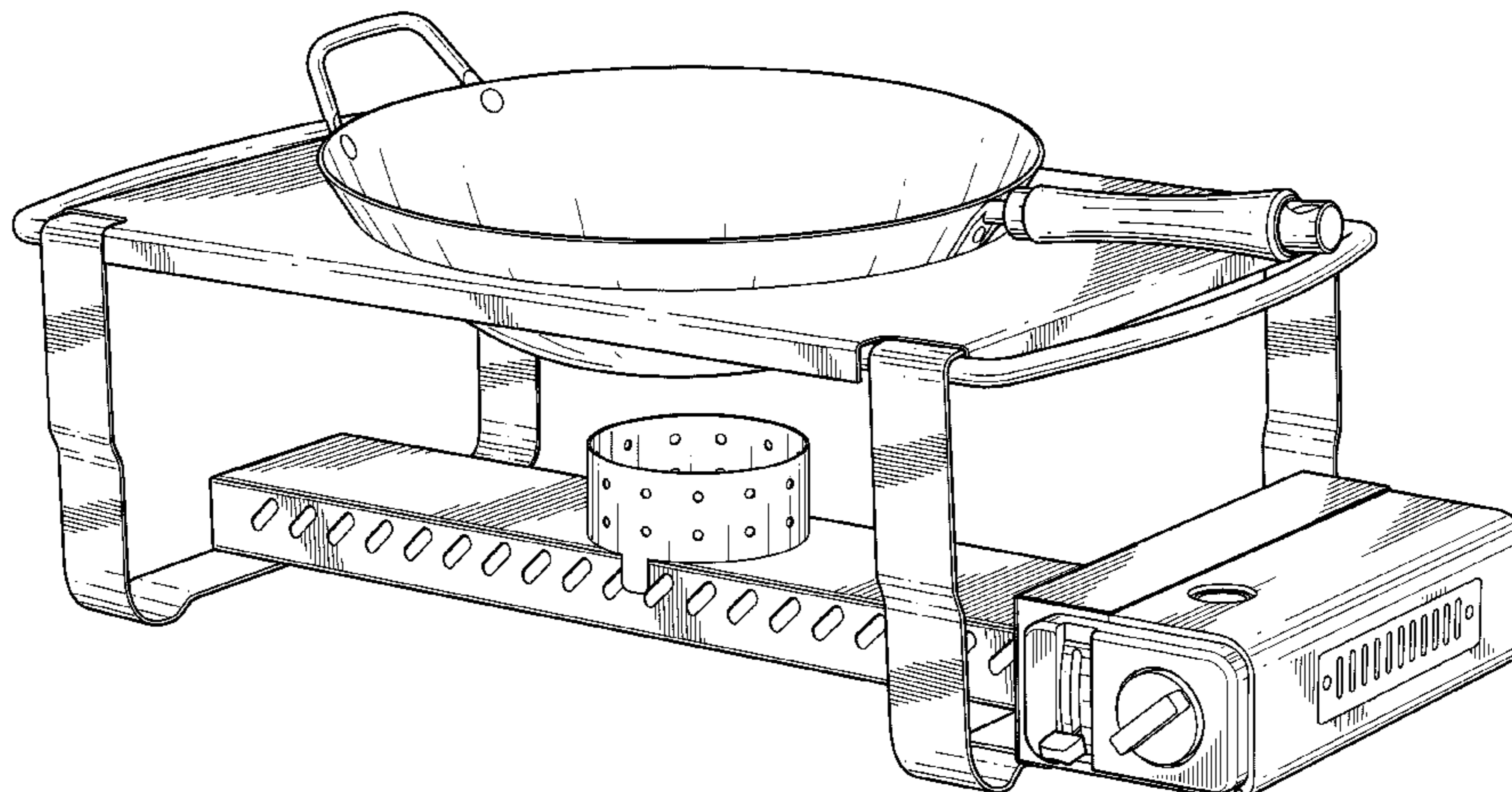
FIG. 13 shows a top plan view of the chafer wok of FIG. 8;

and, FIG. 14 shows a bottom plan view of the chafer wok of FIG. 8.

The broken lines are included for the purpose of illustrating portions of the chafer wok that form no part of the claimed design.

*Primary Examiner* — Ricky Pham

**1 Claim, 14 Drawing Sheets**



# US D645,297 S

Page 2

---

| U.S. PATENT DOCUMENTS |     |         |                     |         |                   |         |                       |           |
|-----------------------|-----|---------|---------------------|---------|-------------------|---------|-----------------------|-----------|
| 4,873,921             | A * | 10/1989 | Piane, Sr. ....     | 99/422  | 6,234,068 B1 *    | 5/2001  | Sherman .....         | 99/449    |
| 4,899,722             | A   | 2/1990  | Horewitch           |         | 6,468,072 B2      | 10/2002 | Shook                 |           |
| 4,908,487             | A * | 3/1990  | Sarnoff et al. .... | 219/735 | D468,580 S        | 1/2003  | Ruiseco               |           |
| 4,920,873             | A * | 5/1990  | Stevens .....       | 99/339  | 6,593,551 B2      | 7/2003  | Haber                 |           |
| 5,119,800             | A   | 6/1992  | Roberts et al.      |         | D488,669 S        | 4/2004  | Tse                   |           |
| 5,203,257             | A * | 4/1993  | Goad .....          | 99/483  | 6,872,920 B2      | 3/2005  | Haber                 |           |
| 5,211,157             | A   | 5/1993  | Schwartz et al.     |         | 6,941,943 B1      | 9/2005  | Cahill et al.         |           |
| 5,241,900             | A * | 9/1993  | Piane, Sr. ....     | 99/422  | 7,090,094 B2      | 8/2006  | Wade                  |           |
| 5,381,729             | A   | 1/1995  | Hennessy et al.     |         | D548,001 S        | 8/2007  | Gross                 |           |
| 5,453,596             | A * | 9/1995  | Verveniotis .....   | 219/433 | 7,708,006 B2      | 5/2010  | Sun                   |           |
| 5,467,697             | A * | 11/1995 | Hunziker .....      | 99/449  | D626,377 S *      | 11/2010 | Contreras et al. .... | D7/402    |
| 5,819,640             | A * | 10/1998 | Cuomo et al. ....   | 99/483  | 2003/0192525 A1   | 10/2003 | Ruiseco               |           |
| D401,805              | S   | 12/1998 | Benz                |         | 2005/0076795 A1 * | 4/2005  | Riddle .....          | 99/483    |
| 5,977,521             | A   | 11/1999 | Mehta et al.        |         | 2005/0150395 A1   | 7/2005  | Olekaibe et al.       |           |
| 5,979,428             | A   | 11/1999 | Greene, Jr.         |         | 2005/0167381 A1 * | 8/2005  | Fariello .....        | 211/181.1 |
| D434,268              | S   | 11/2000 | Yu                  |         | 2006/0090744 A1   | 5/2006  | Wojcik et al.         |           |
| 6,157,007             | A * | 12/2000 | Scott, III .....    | 219/437 |                   |         |                       |           |

\* cited by examiner

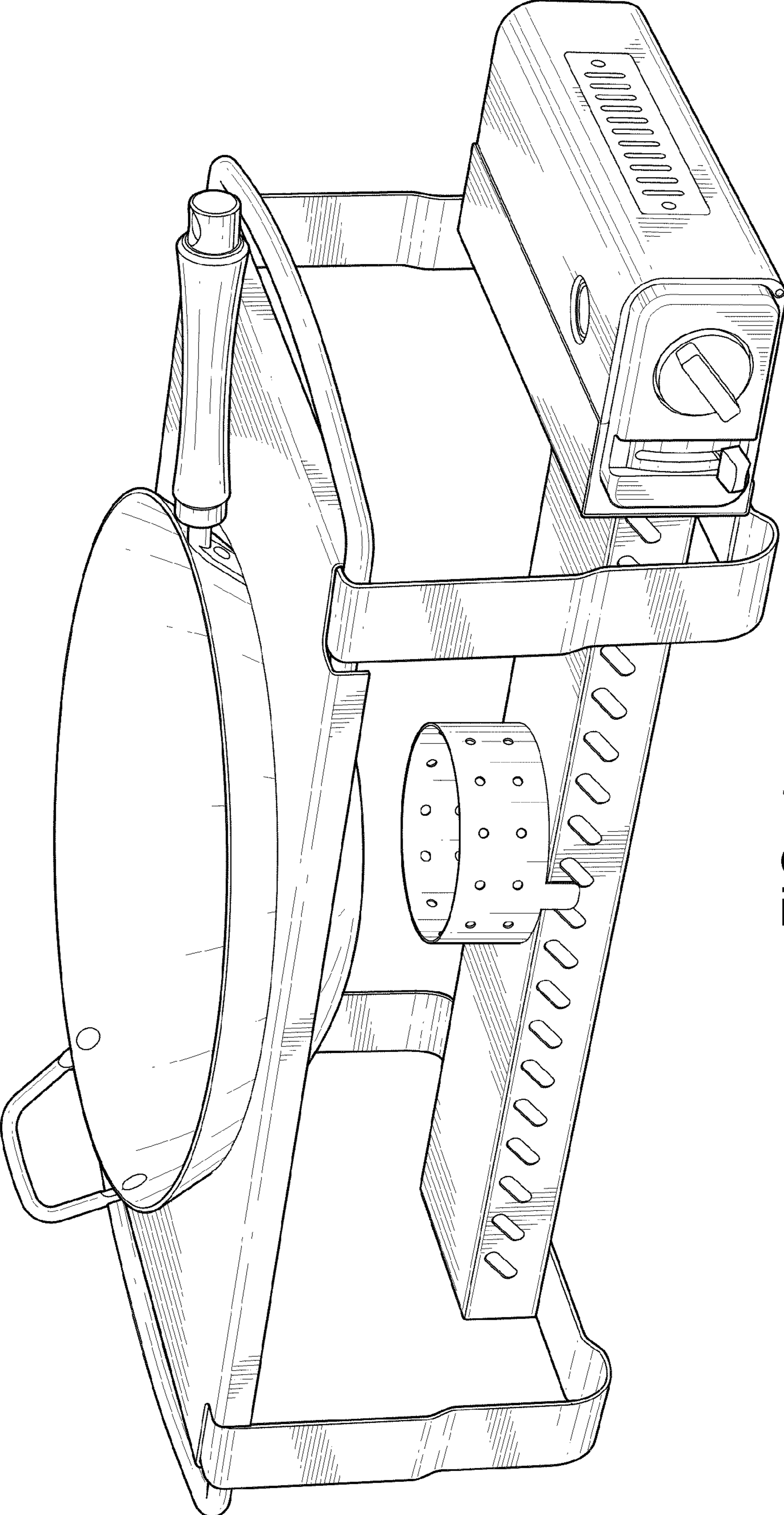


FIG. 1

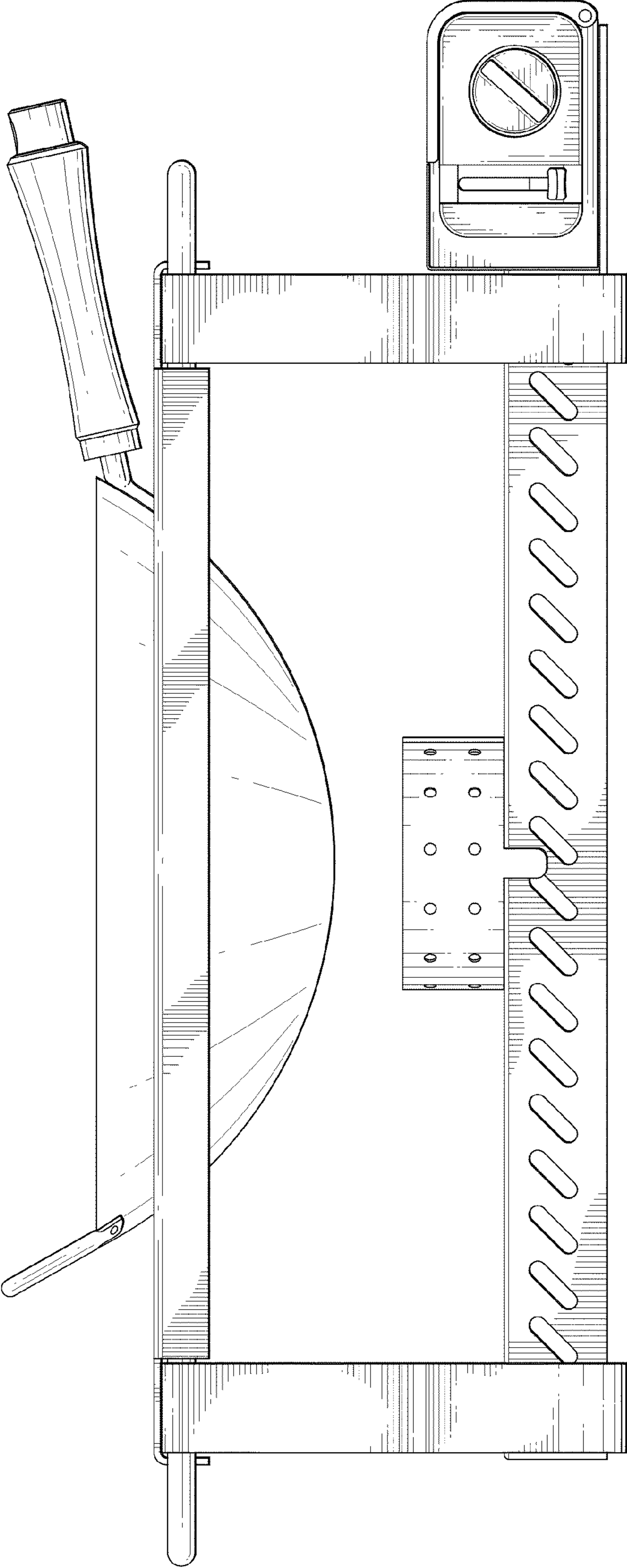


FIG. 2

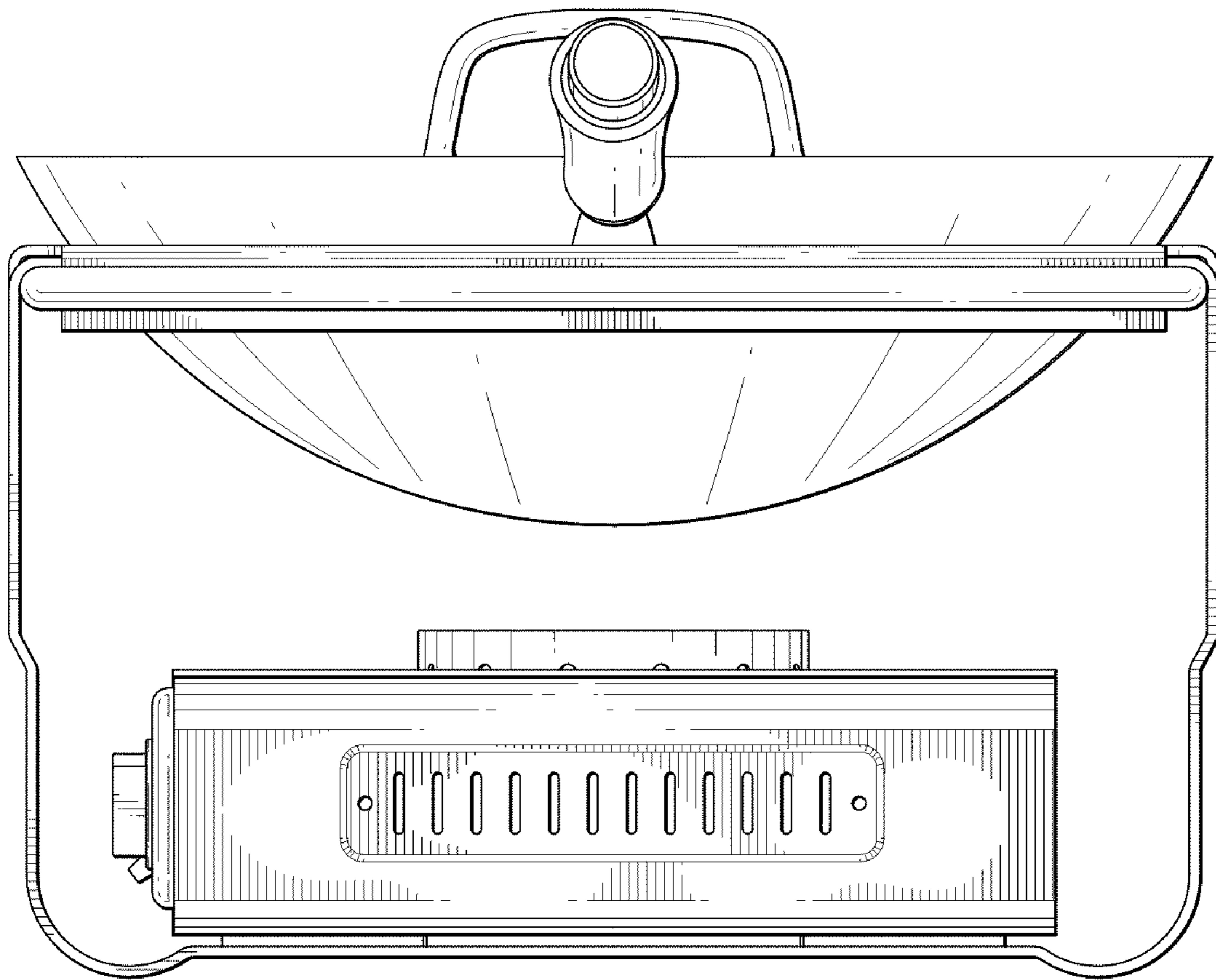


FIG. 3

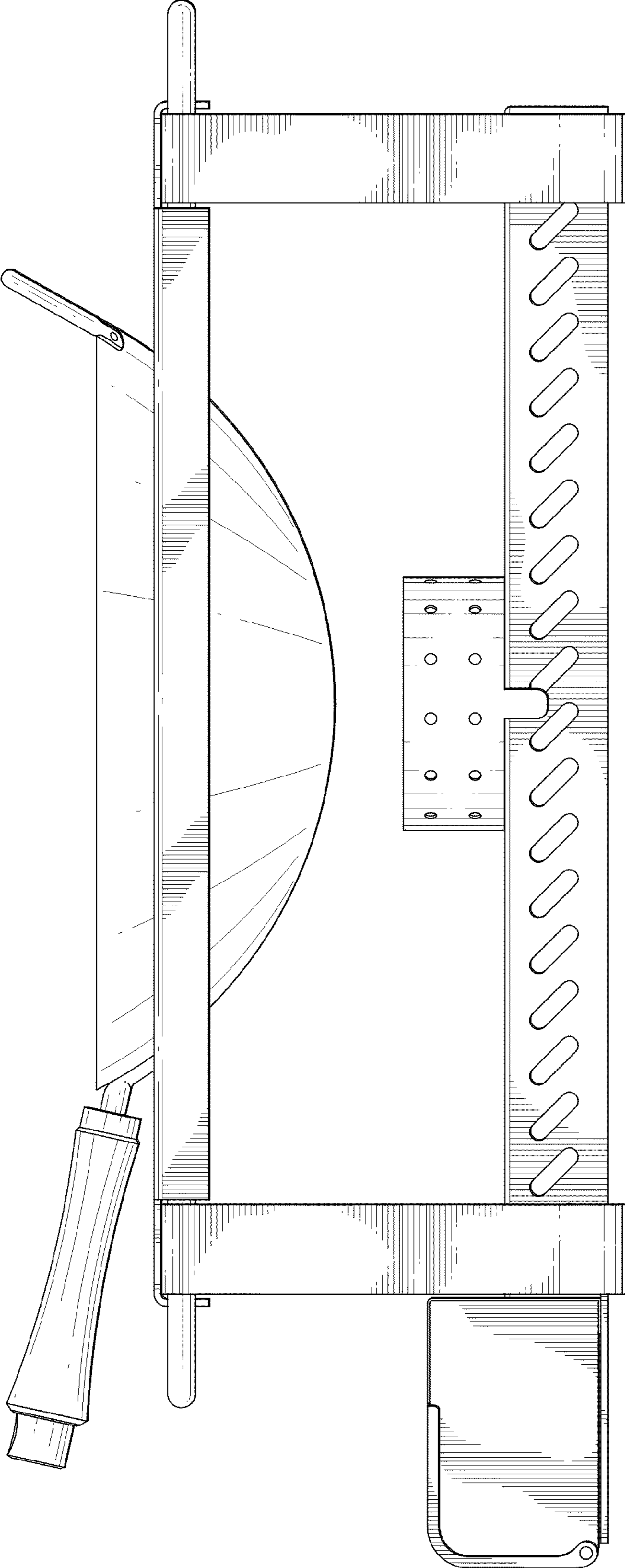


FIG. 4

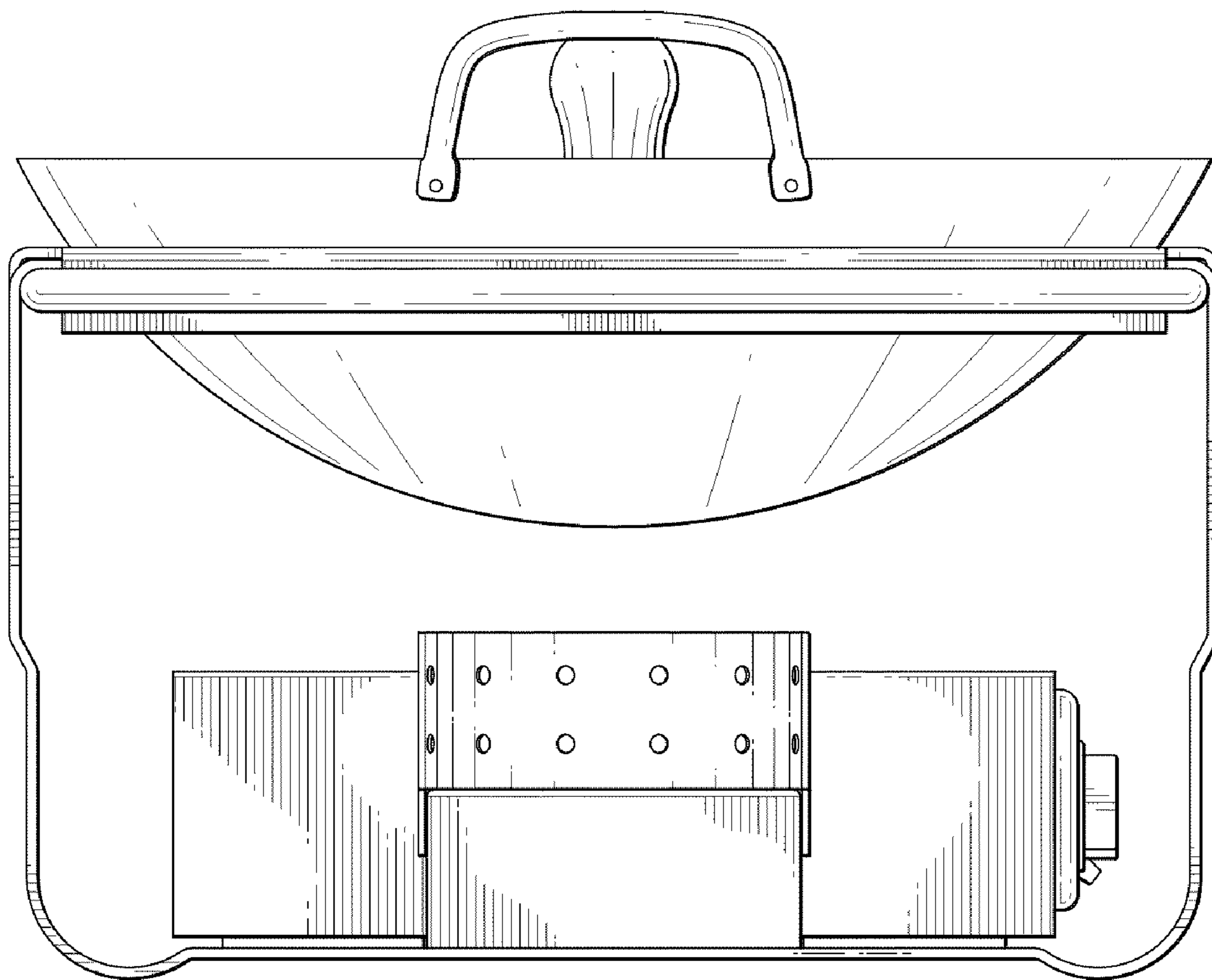


FIG. 5

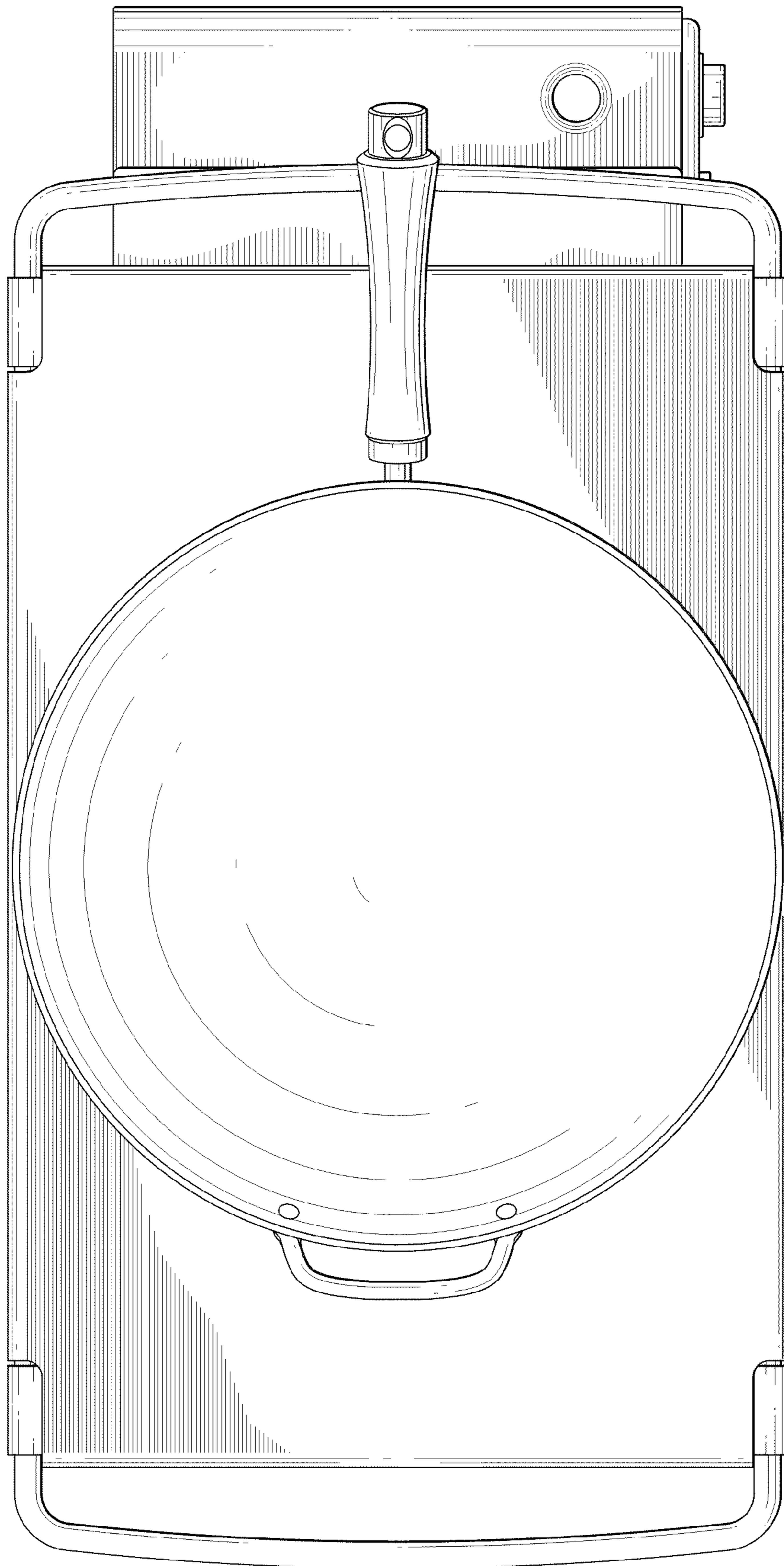


FIG. 6



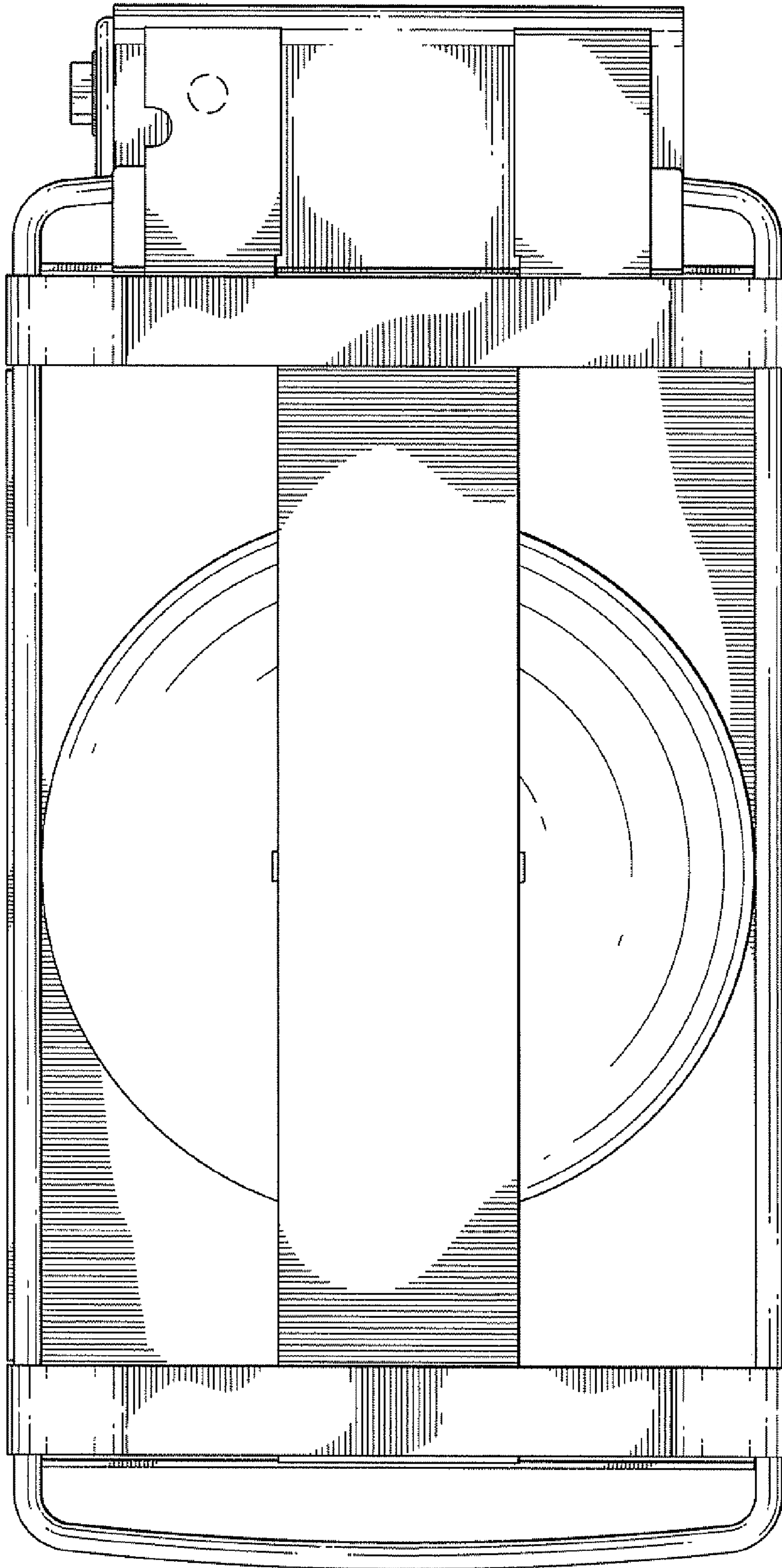


FIG. 7

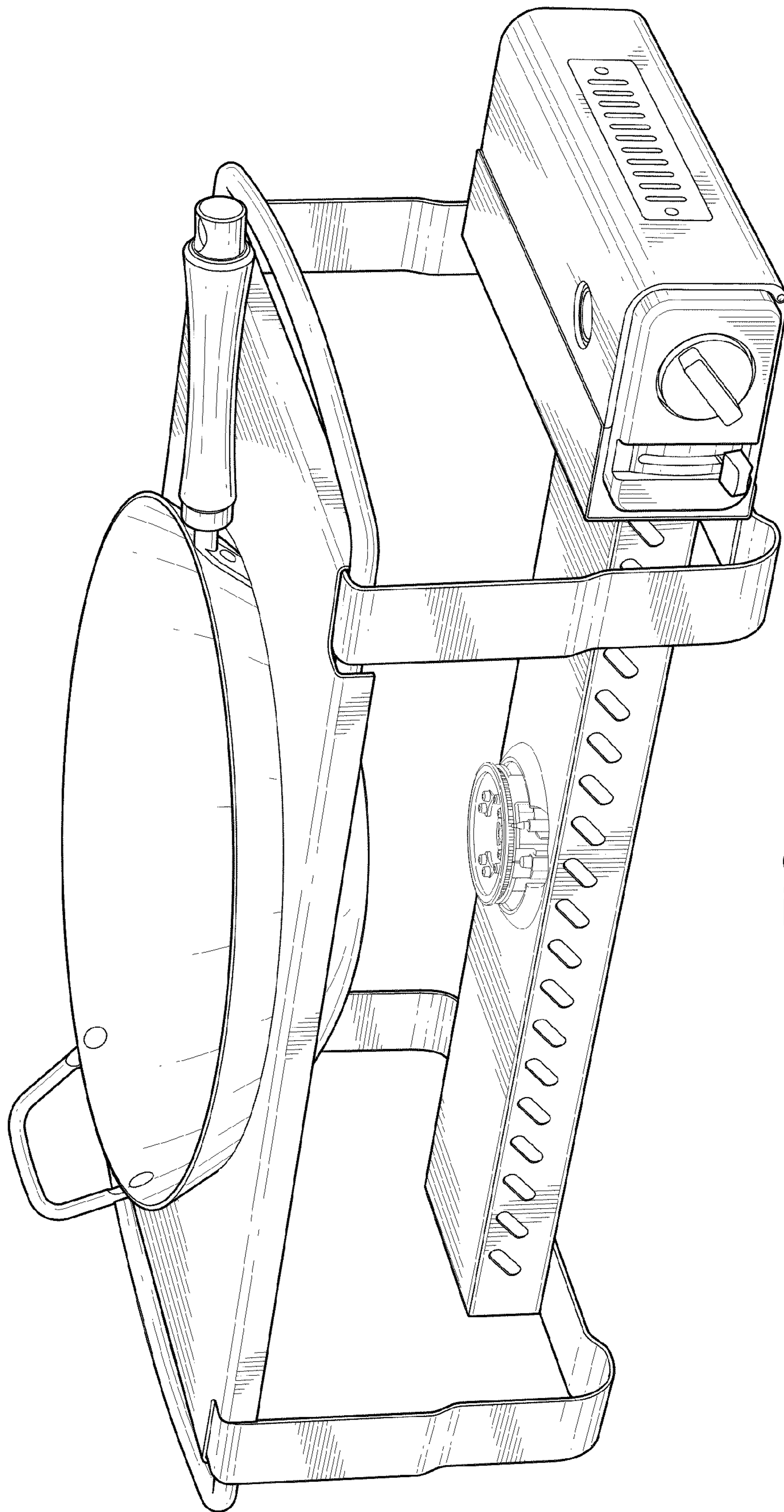


FIG. 8

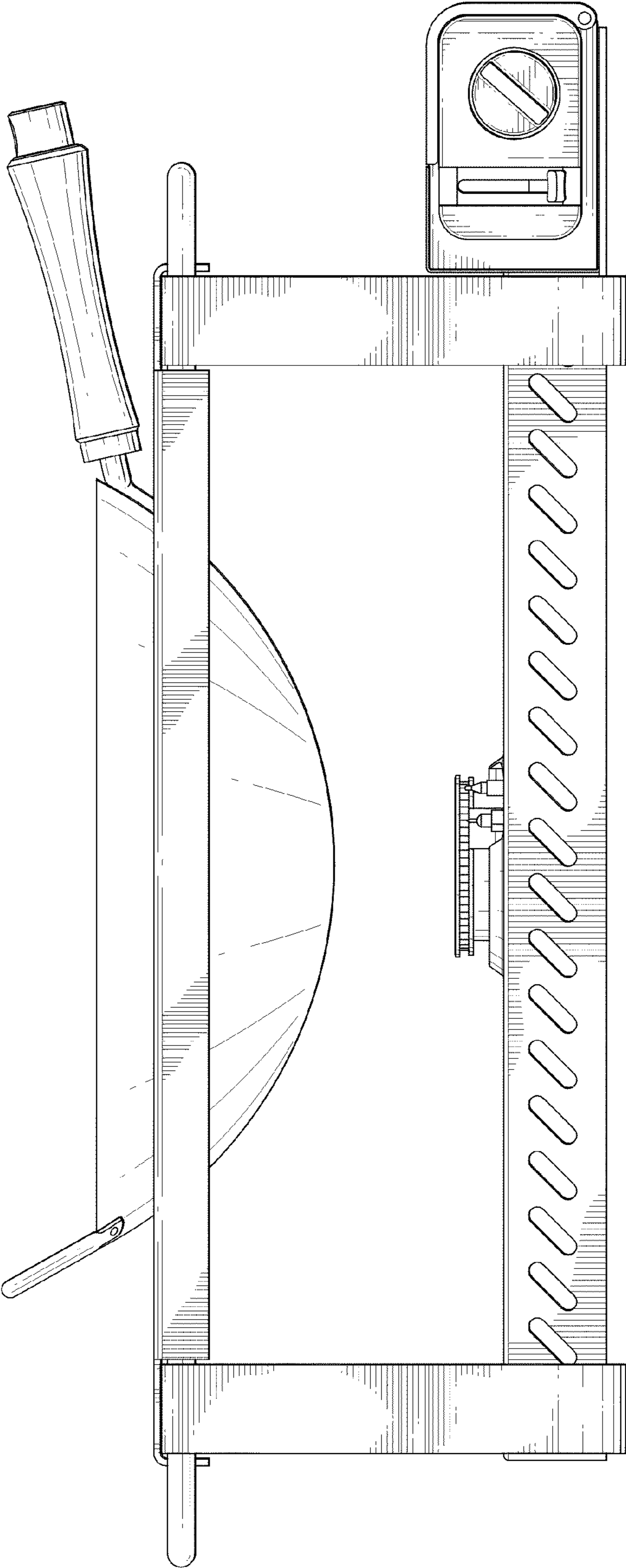


FIG. 9

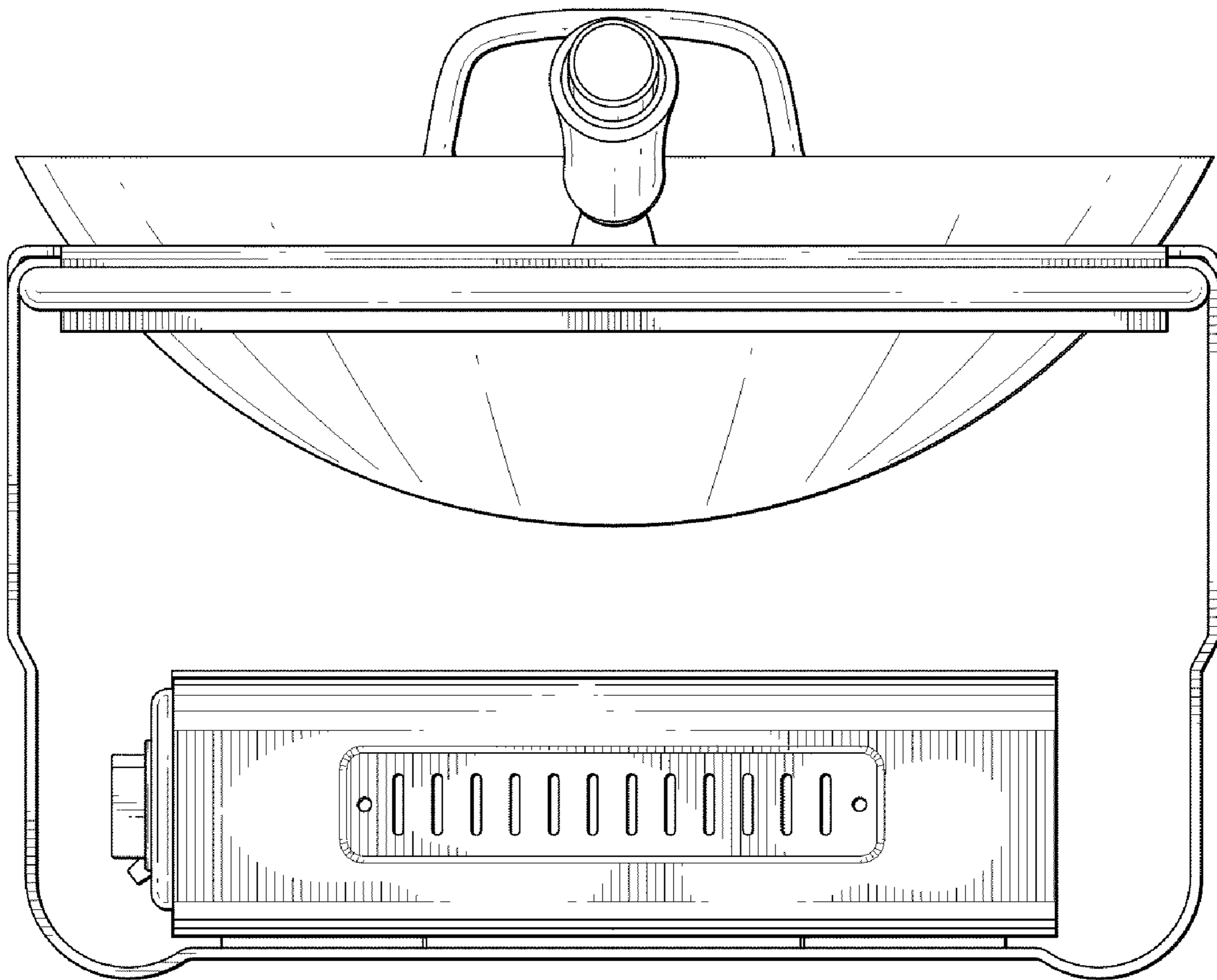


FIG. 10

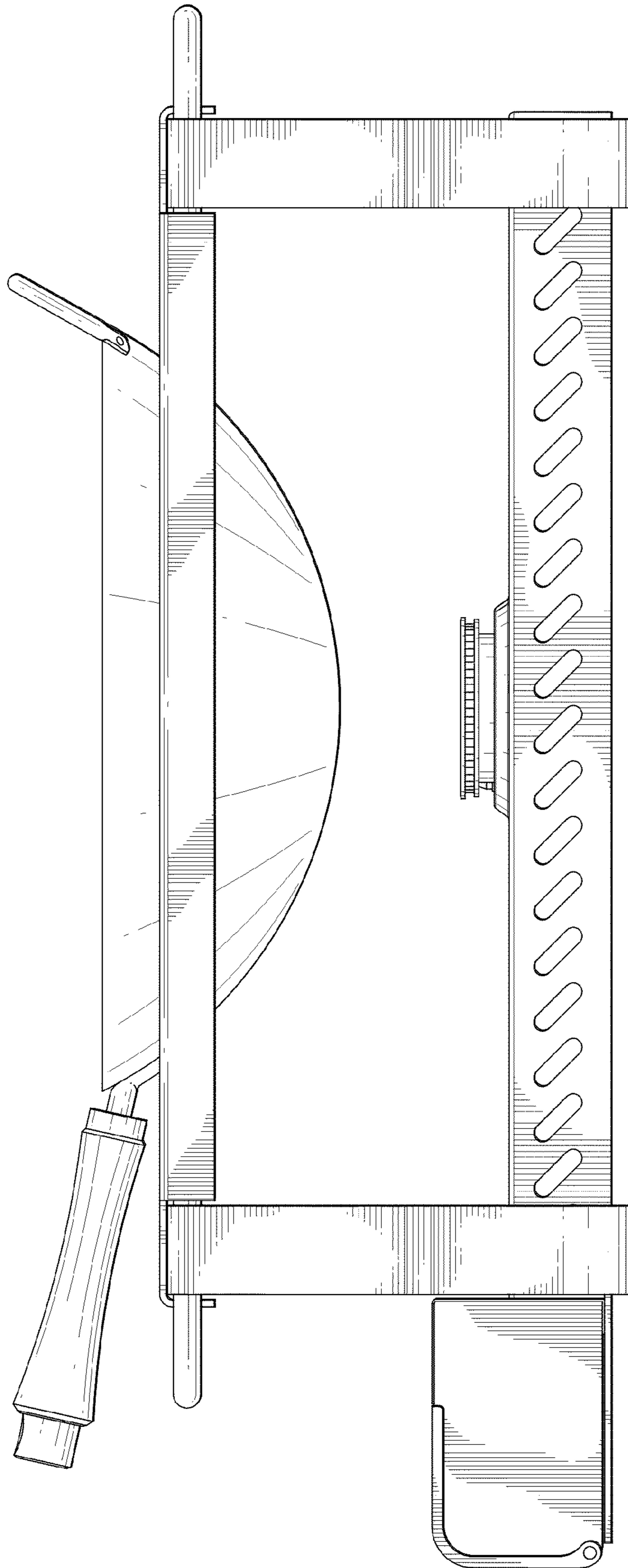


FIG. 11

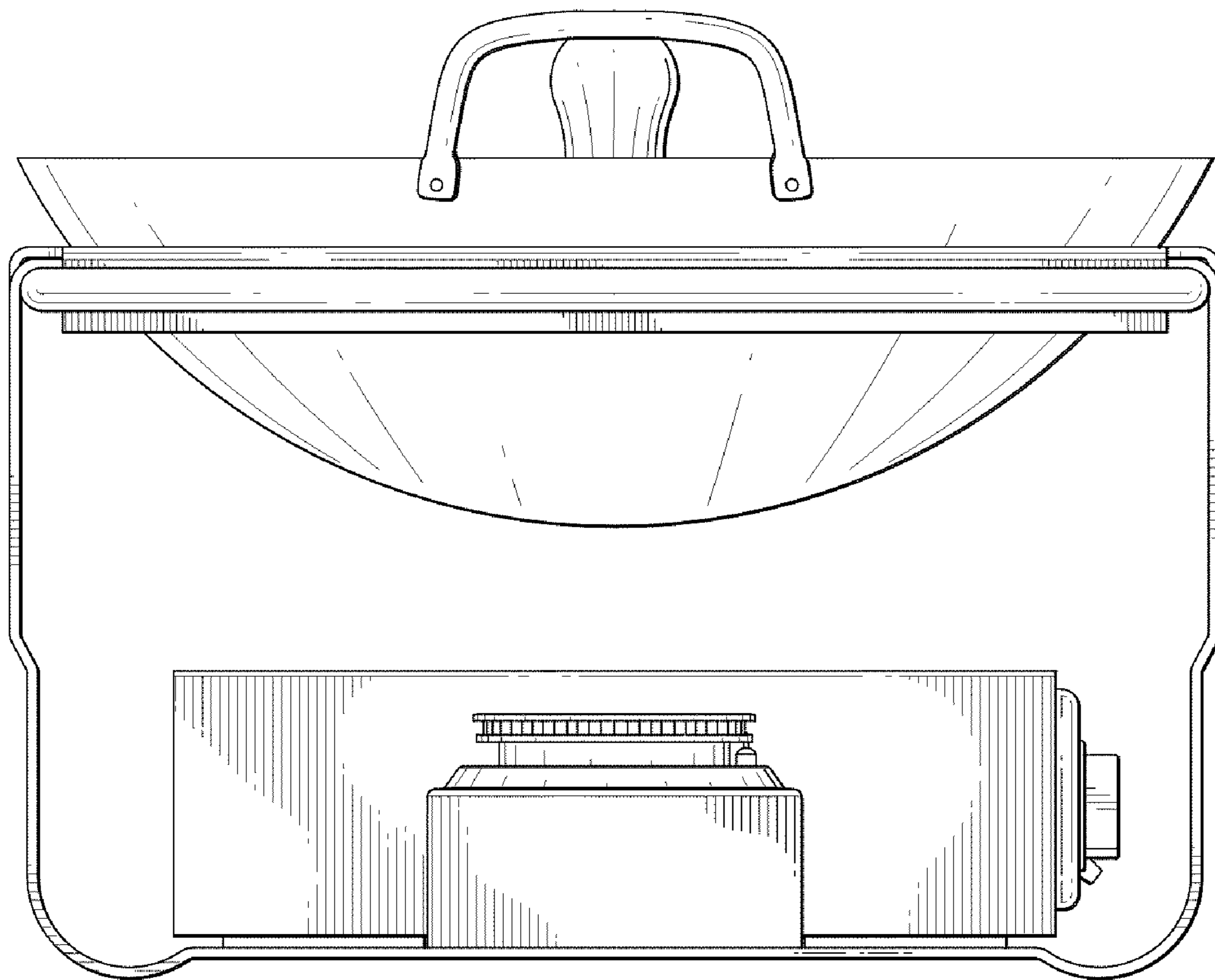


FIG. 12

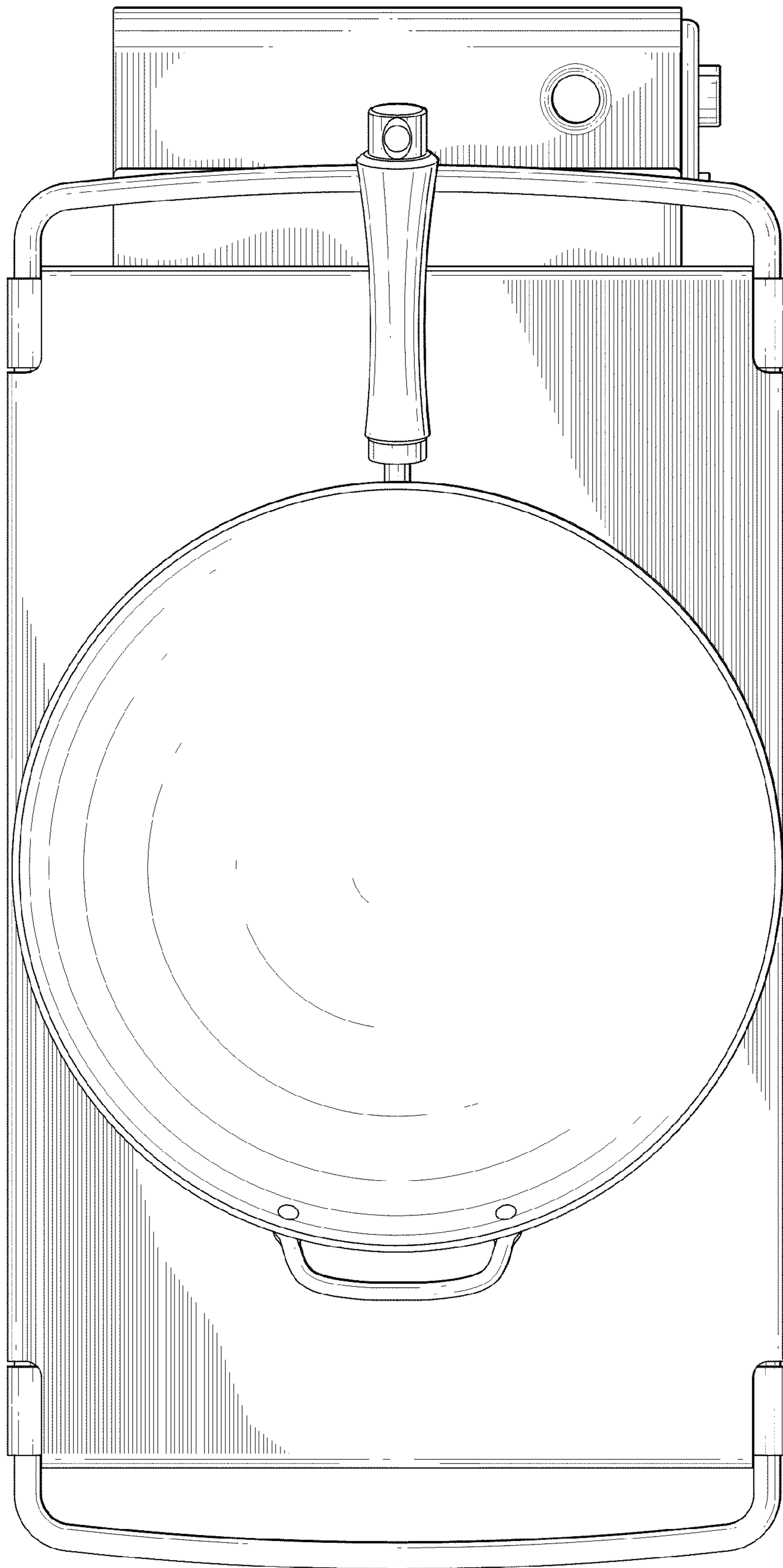


FIG. 13

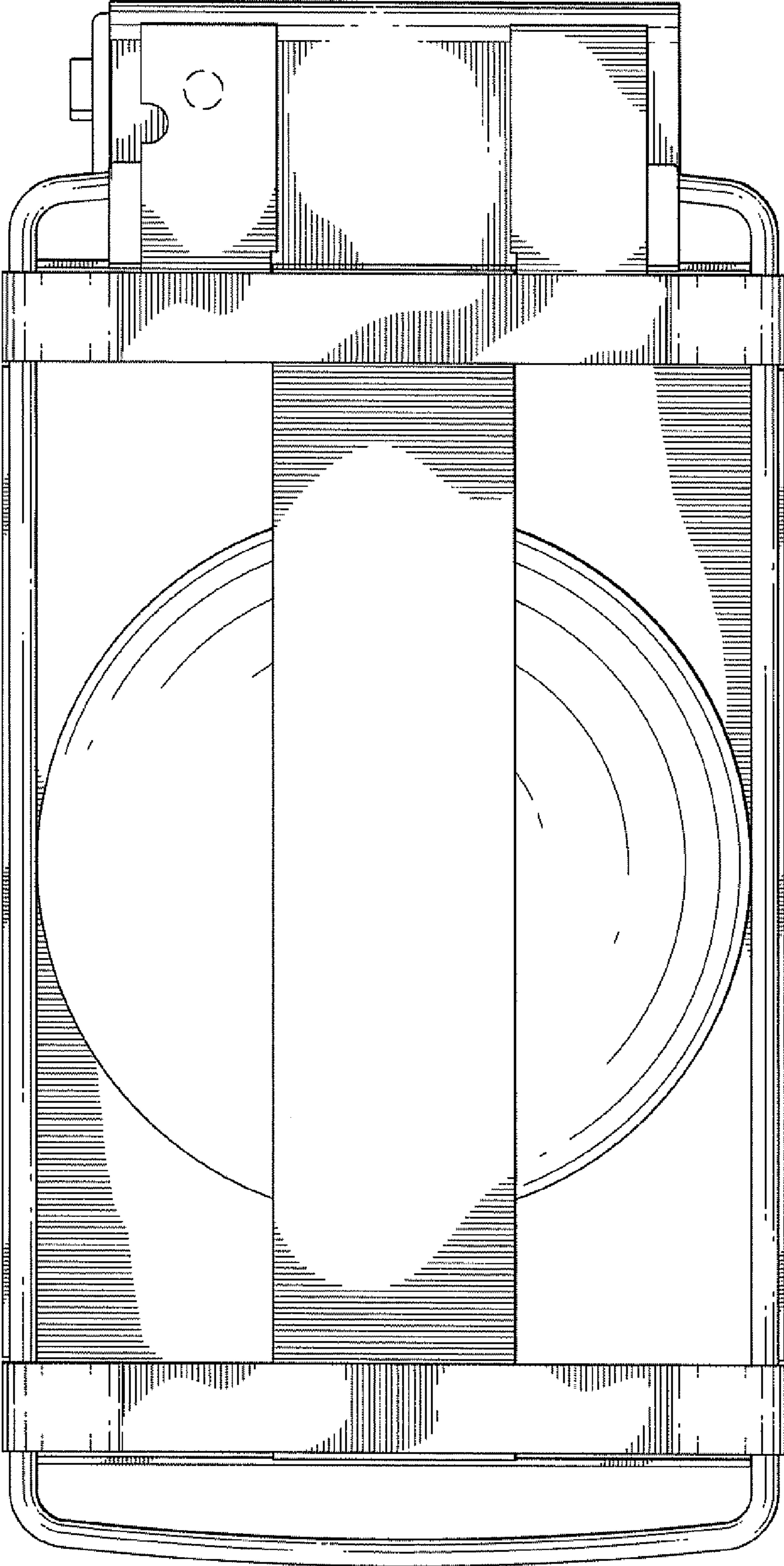


FIG. 14