



US00D645296S

(12) **United States Design Patent**  
**Saboe et al.**

(10) **Patent No.:** **US D645,296 S**  
(45) **Date of Patent:** **\*\* \*Sep. 20, 2011**

(54) **CHAFING DISH**

**DESCRIPTION**

(75) Inventors: **J. Michael Saboe**, Charleston, SC (US); **David Raynor, Jr.**, Myrtle Beach, SC (US); **John E. Cahill, Sr.**, Myrtle Beach, SC (US)

(73) Assignee: **Conquest LLC**, Charleston, SC (US)

(\*\*) Term: **14 Years**

(21) Appl. No.: **29/378,379**

(22) Filed: **Nov. 3, 2010**

(51) **LOC (9) Cl.** ..... **07-02**

(52) **U.S. Cl.** ..... **D7/366; D7/354; D7/355**

(58) **Field of Classification Search** ..... D7/323,  
D7/329–331, 339, 346–347, 350.1–350.4,  
D7/354–366, 391, 393, 395, 402, 538, 542,  
D7/587; 99/324–325, 331–332, 337–340,  
99/369, 403–418, 444, 483, 449; 126/261,  
126/378.1, 33; 206/501–505, 507–508; 219/400,  
219/405, 430–442, 620–624, 725, 730–735;  
220/316, 573.1–573.5, 912, 694; 426/438,  
426/441

See application file for complete search history.

(56) **References Cited**

**U.S. PATENT DOCUMENTS**

170,989 A 2/1929 Elie  
(Continued)

*Primary Examiner* — Ricky Pham

(74) *Attorney, Agent, or Firm* — Nelson Mullins Riley & Scarborough LLP

(57) **CLAIM**

The ornamental design of a chafing dish, as shown and described.

The present application is related to commonly-assigned U.S. Design patent application Ser. No. 29/378,381, entitled “Chafing Frame,” U.S. Design patent application Ser. No. 29/378,383, entitled “Chafing Griddle,” U.S. Design patent application Ser. No. 29/378,385, entitled “Chaffer Wok,” and U.S. Design patent application Ser. No. 29/378,387, entitled “Soup Chaffer,” which are filed concurrently herewith and which are incorporated by reference herein in their entirety for all purposes.

FIG. 1 shows a perspective view of a chafing dish showing a first embodiment of our design;

FIG. 2 shows a front elevation view of the chafing dish of FIG. 1;

FIG. 3 shows a right side elevation view of the chafing dish of FIG. 1;

FIG. 4 shows a rear elevation view of the chafing dish of FIG. 1;

FIG. 5 shows a left side elevation view of the chafing dish of FIG. 1;

FIG. 6 shows a top plan view of the chafing dish of FIG. 1;

FIG. 7 shows a bottom plan view of the chafing dish of FIG. 1;

FIG. 8 shows a perspective view of a chafing dish showing a second embodiment of our design;

FIG. 9 shows a front elevation view of the chafing dish of FIG. 8;

FIG. 10 shows a right side elevation view of the chafing dish of FIG. 8;

FIG. 11 shows a rear elevation of the chafing dish of FIG. 8;

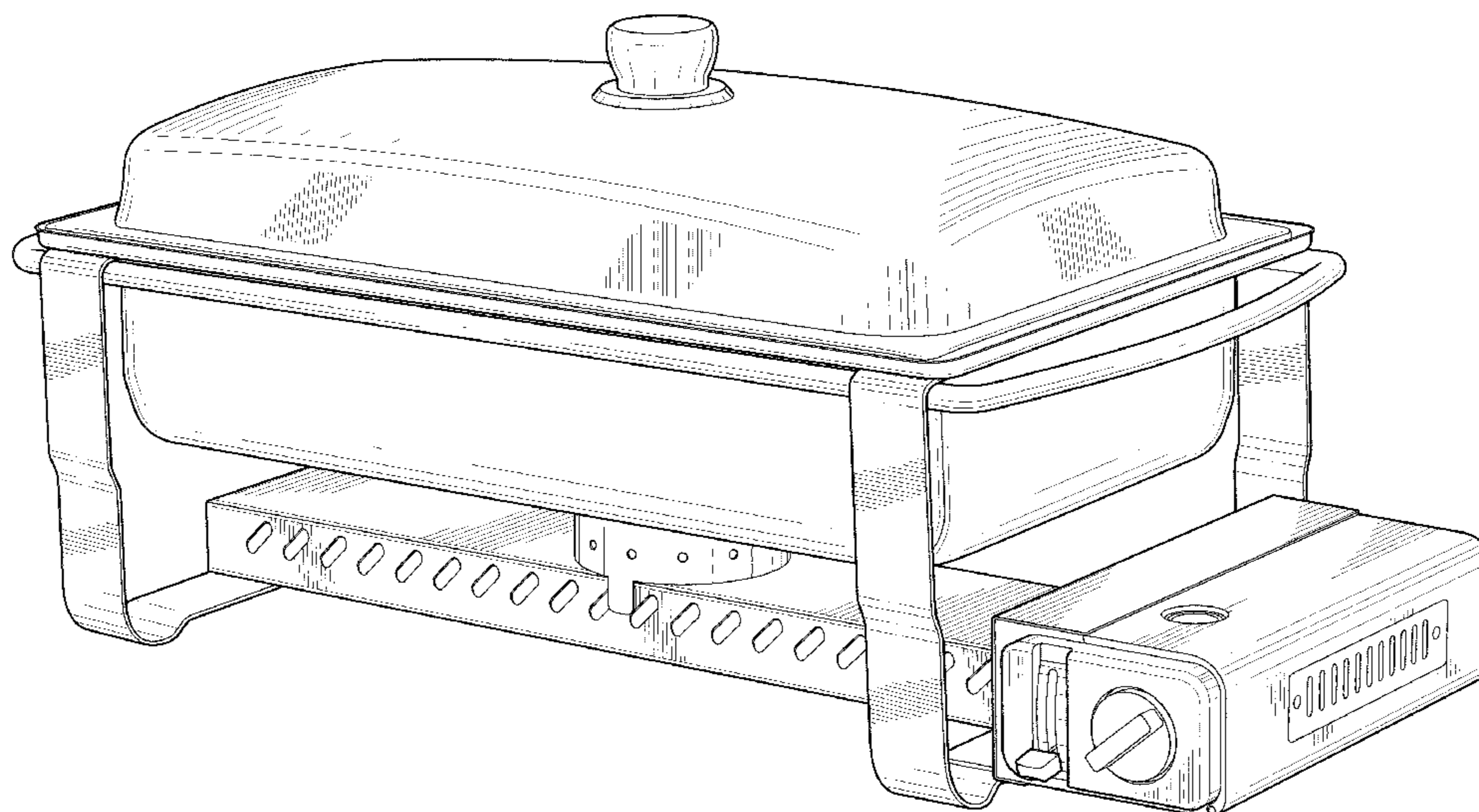
FIG. 12 shows a left side elevation view of the chafing dish of FIG. 8;

FIG. 13 shows a top plan view of the chafing dish of FIG. 8; and,

FIG. 14 shows a bottom plan view of the chafing dish of FIG. 8.

The broken lines are included for the purpose of illustrating portions of the chafing dish that form no part of the claimed design.

**1 Claim, 14 Drawing Sheets**



US D645,296 S

U.S. PATENT DOCUMENTS

D146,832 S \* 5/1947 O'Connell ..... D7/355  
D168,905 S \* 2/1953 O'Connell ..... D7/355  
D192,900 S \* 5/1962 Epstein ..... D7/364  
3,361,126 A \* 1/1968 Bloomfield ..... 126/261  
D213,717 S \* 4/1969 Rickmeier ..... D7/355  
4,122,764 A 10/1978 D'Ambra  
4,176,593 A 12/1979 Terzian  
4,759,276 A 7/1988 Segroves  
4,838,446 A \* 6/1989 Ali ..... 220/694  
4,899,722 A 2/1990 Horewitch  
4,920,873 A \* 5/1990 Stevens ..... 99/339  
5,119,800 A \* 6/1992 Roberts et al. .... 126/378.1  
5,203,257 A \* 4/1993 Goad ..... 99/483  
5,211,157 A 5/1993 Schwartz et al.  
5,241,900 A 9/1993 Piane, Sr.  
5,269,217 A \* 12/1993 Goad ..... 99/483  
5,381,729 A 1/1995 Hennessy et al.  
5,453,596 A \* 9/1995 Verveniotis ..... 219/433  
5,467,697 A \* 11/1995 Hunziker ..... 99/449  
5,819,640 A 10/1998 Cuomo et al.  
D401,805 S 12/1998 Benz  
5,977,521 A \* 11/1999 Mehta et al. .... 219/436  
5,979,428 A 11/1999 Greene, Jr.  
D434,268 S 11/2000 Yu  
6,157,007 A \* 12/2000 Scott, III ..... 219/437  
6,234,068 B1 \* 5/2001 Sherman ..... 99/449  
6,460,453 B1 \* 10/2002 Frauenfeld ..... 99/483  
6,468,072 B2 10/2002 Shook  
D468,580 S 1/2003 Ruiseco  
6,593,551 B2 \* 7/2003 Haber ..... 219/430  
6,640,798 B2 \* 11/2003 Anh ..... 126/33  
D488,669 S 4/2004 Tse  
6,872,920 B2 \* 3/2005 Haber ..... 219/430  
6,941,943 B1 9/2005 Cahill et al.  
7,090,094 B2 8/2006 Wade  
D548,001 S \* 8/2007 Gross ..... D7/355  
7,708,006 B2 5/2010 Sun  
D626,377 S \* 11/2010 Contreras et al. .... D7/402  
2003/0192525 A1 10/2003 Ruiseco  
2005/0076795 A1 \* 4/2005 Riddle ..... 99/483  
2005/0150395 A1 7/2005 Olekaibe et al.  
2005/0167381 A1 8/2005 Faciello  
2006/0090744 A1 \* 5/2006 Wojcik et al. .... 126/261

\* cited by examiner

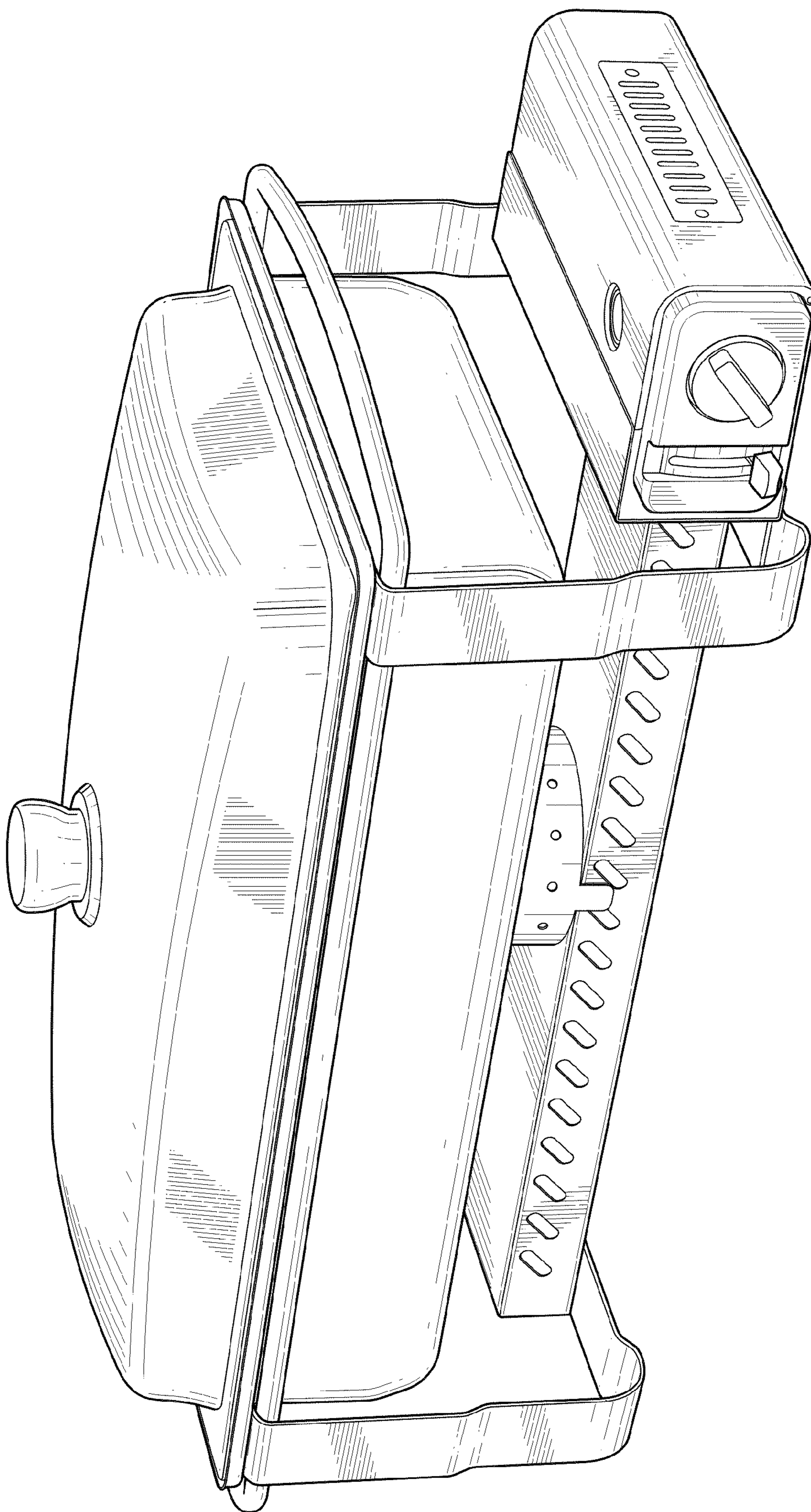


FIG. 1

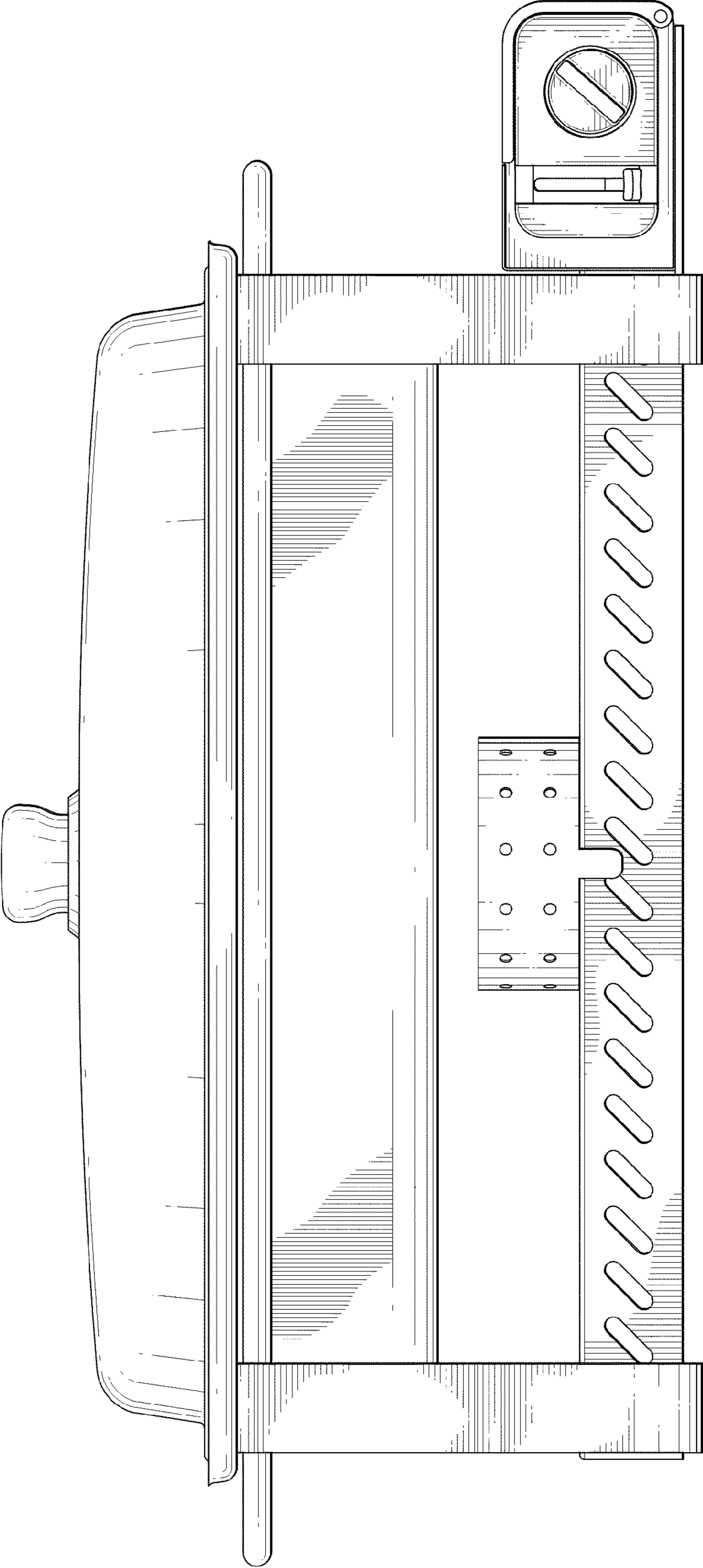


FIG. 2

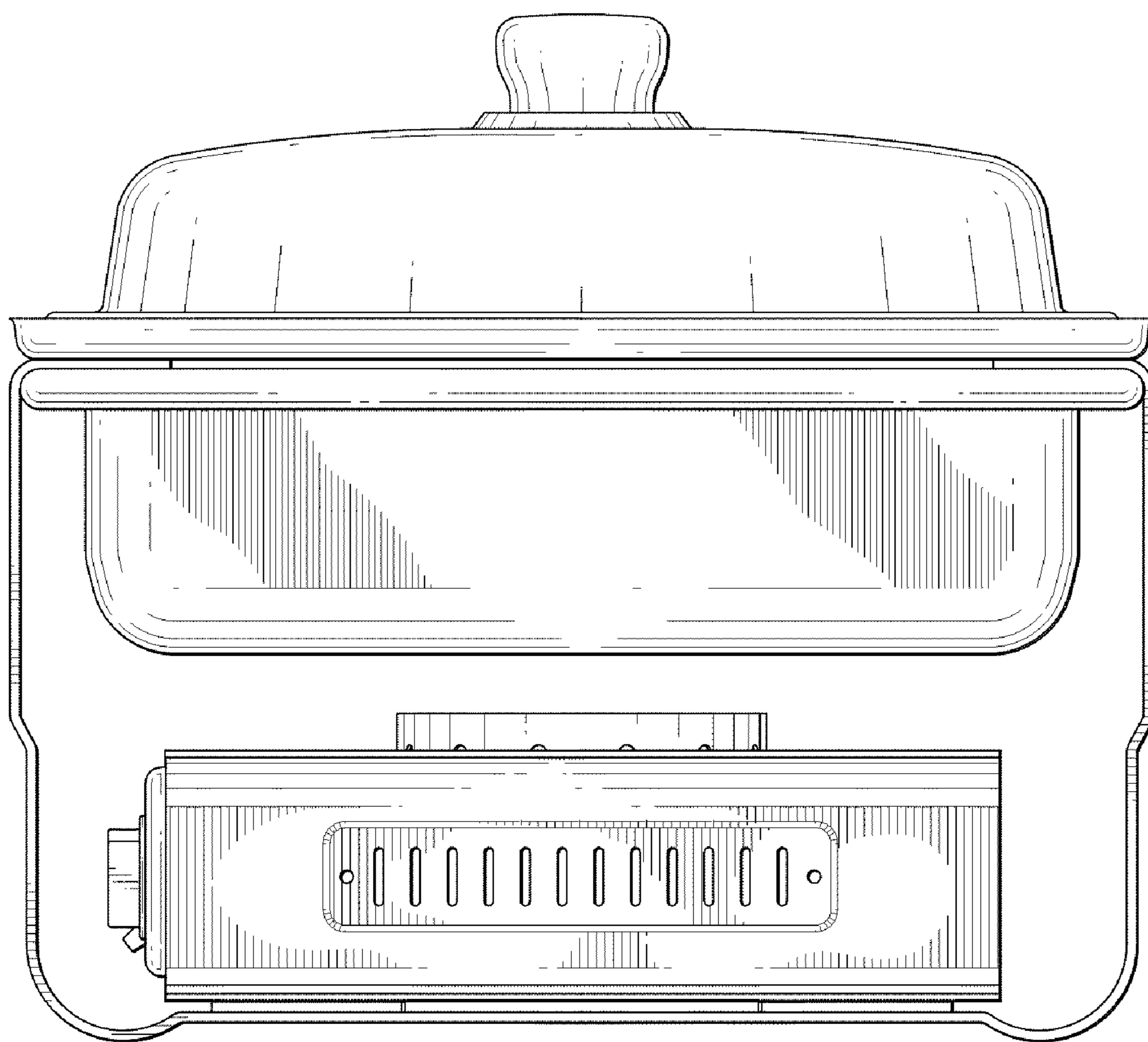


FIG. 3

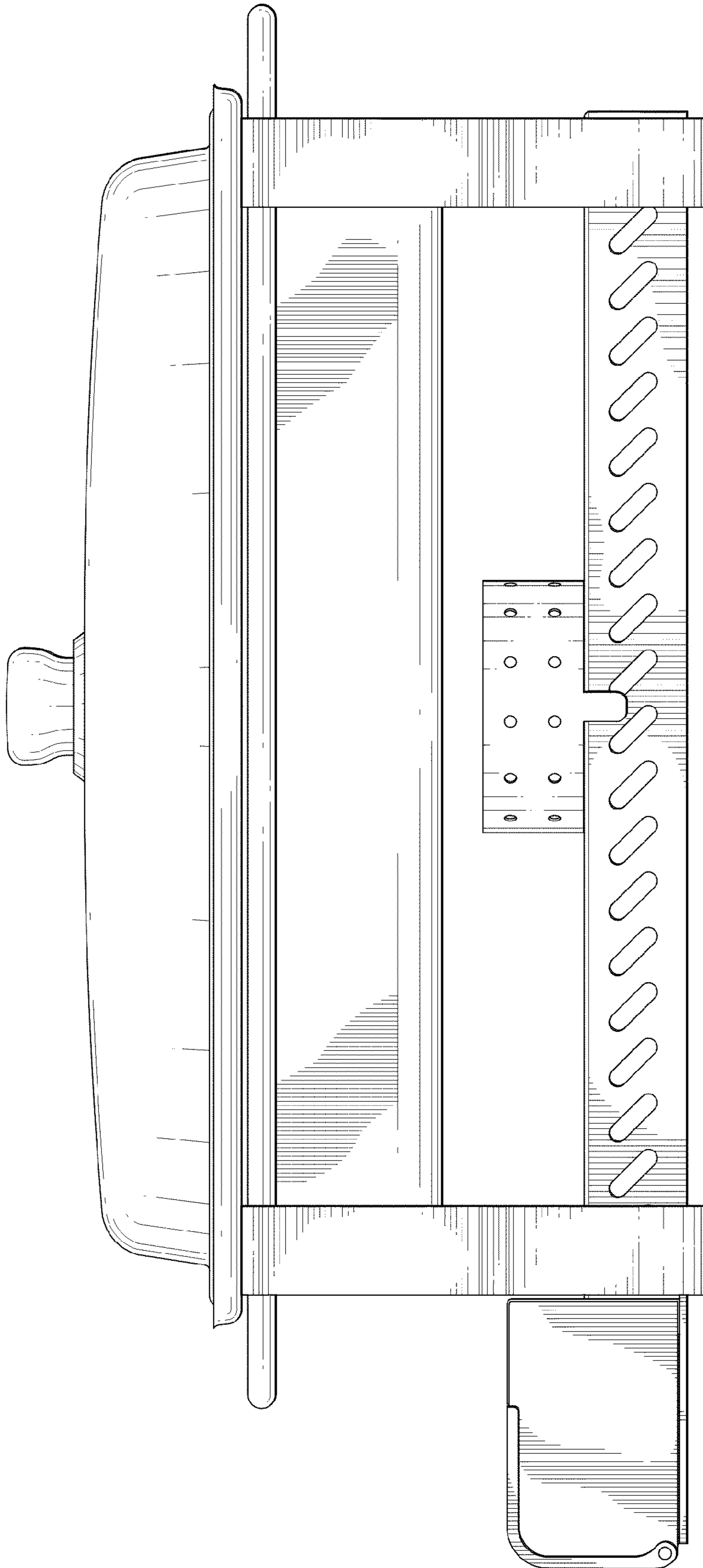


FIG. 4

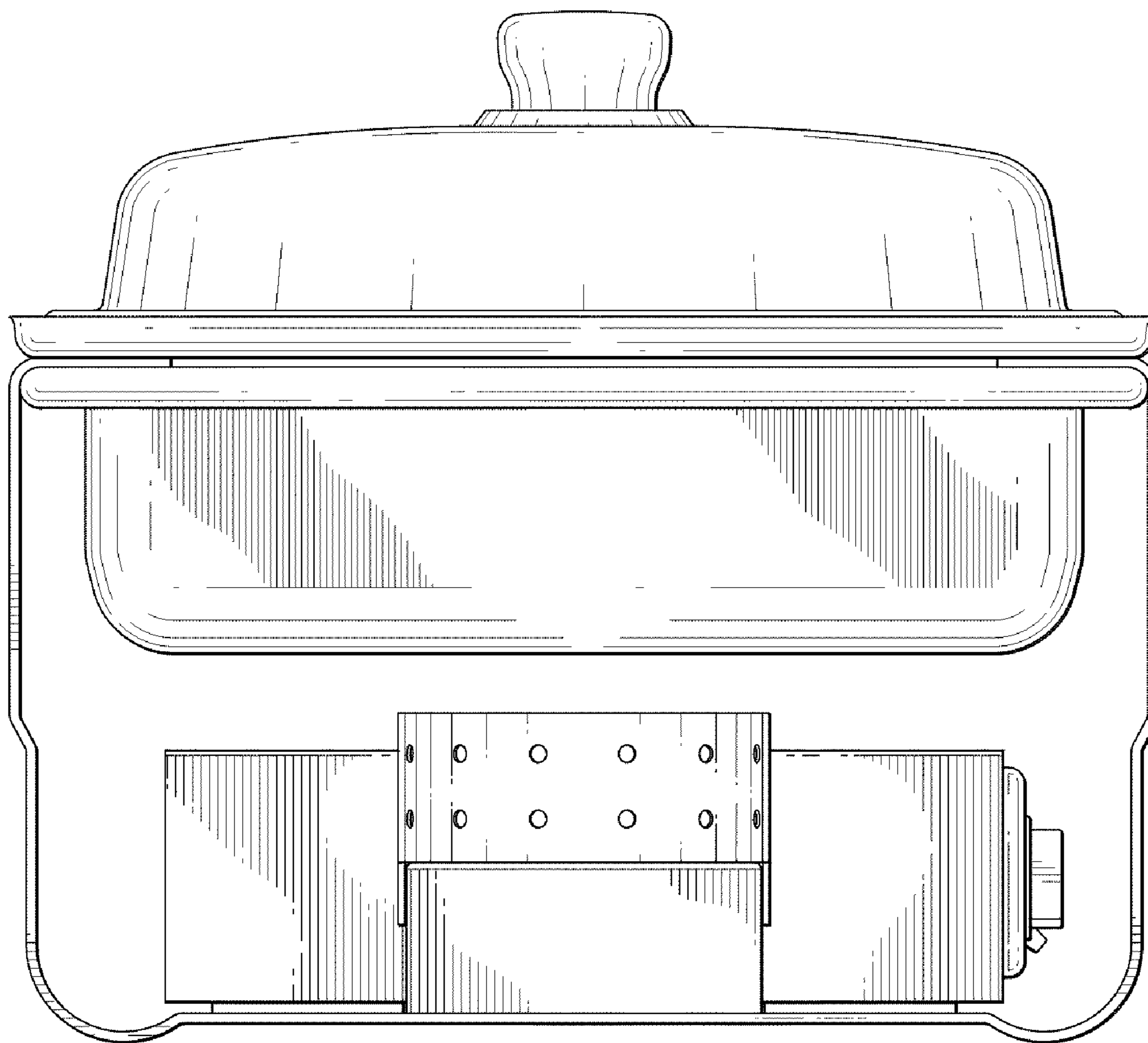


FIG. 5

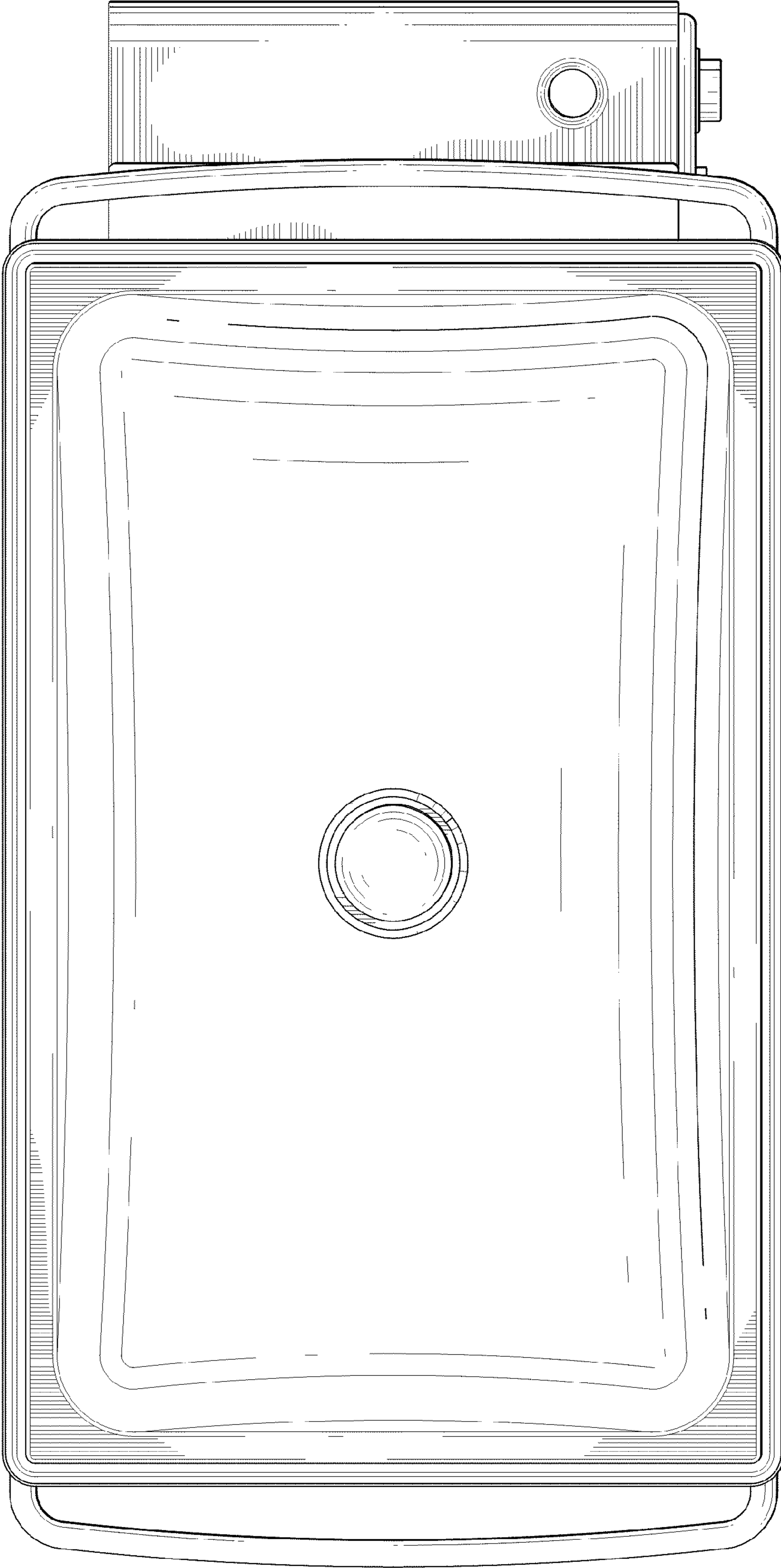


FIG. 6



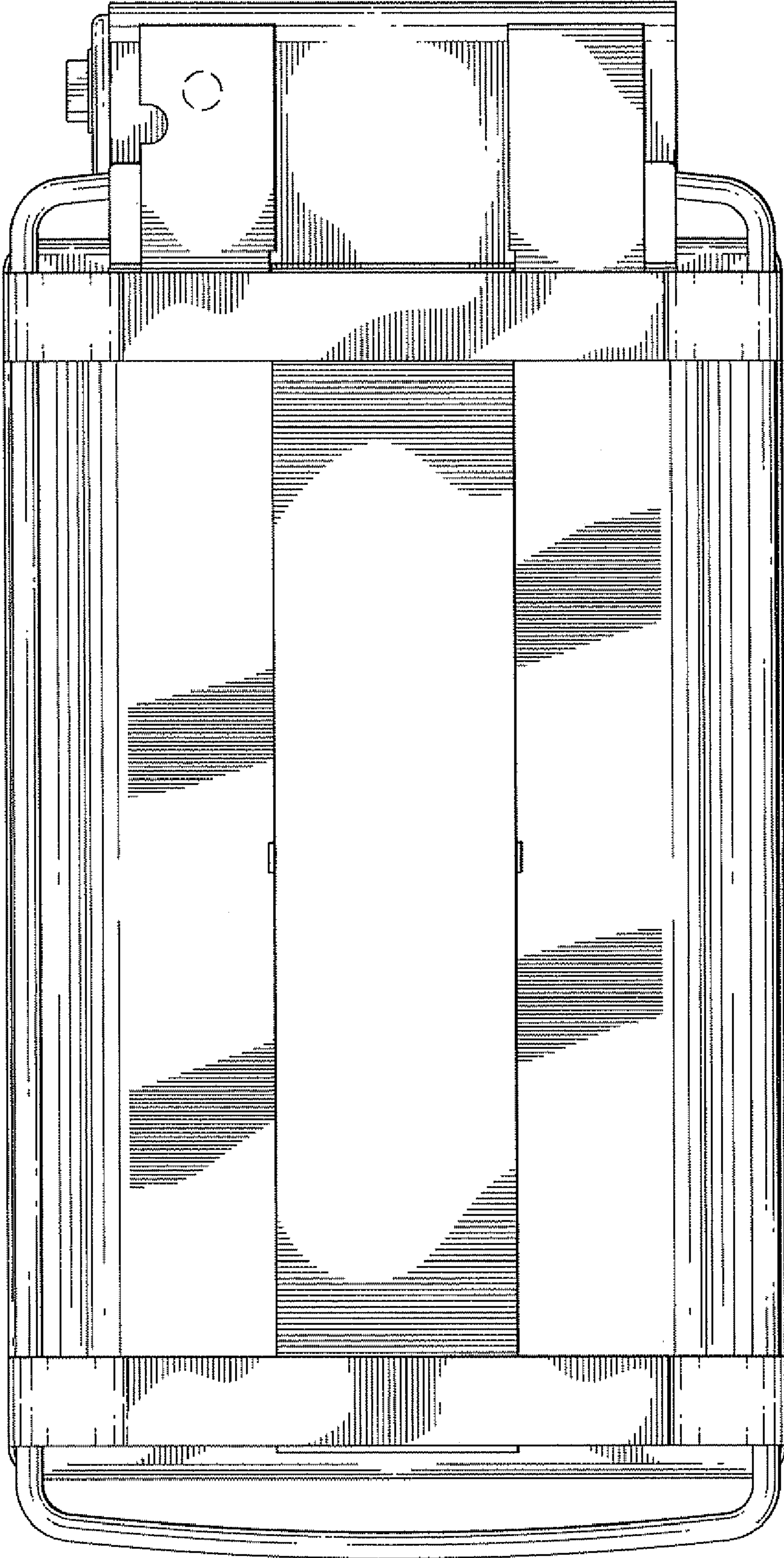


FIG. 7

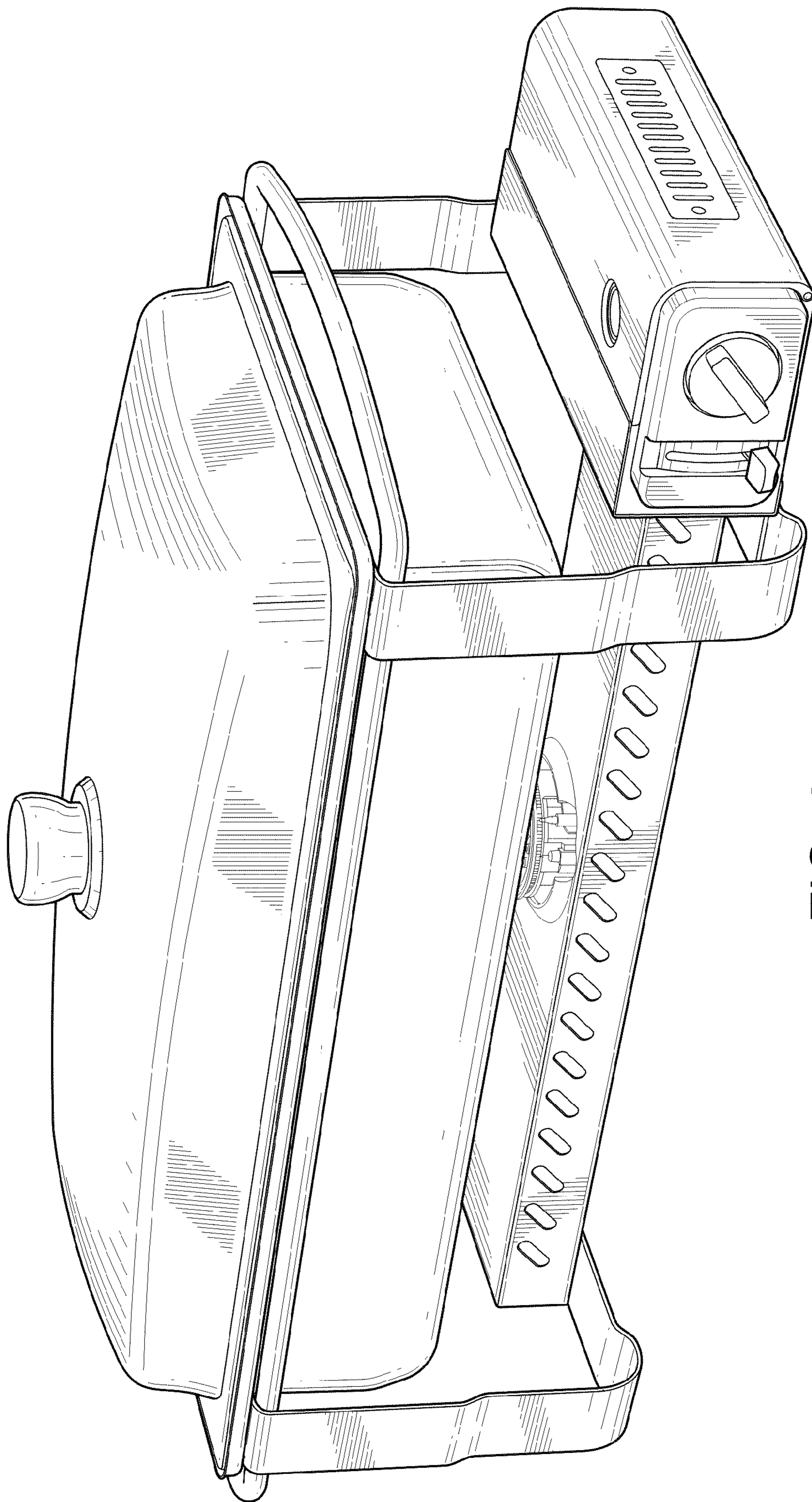


FIG. 8

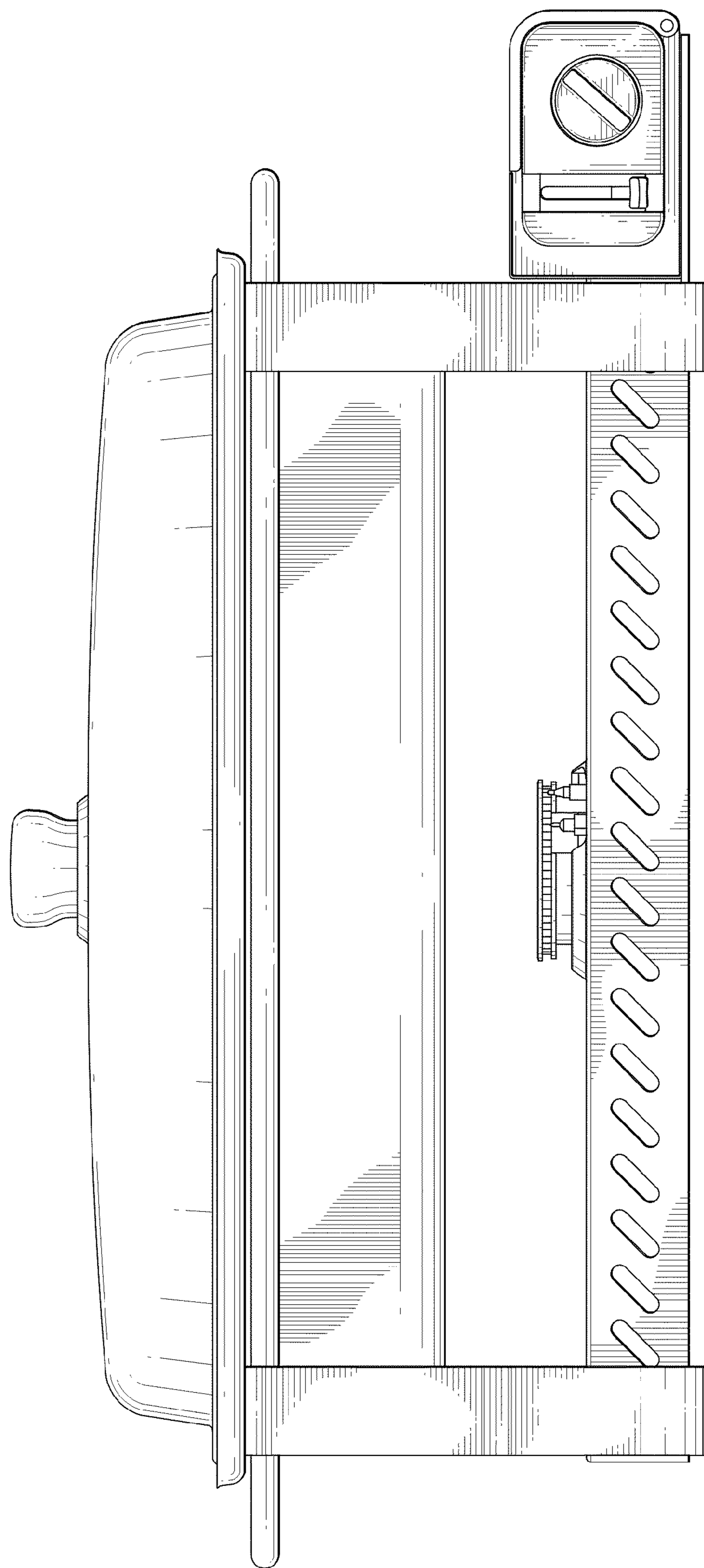


FIG. 9

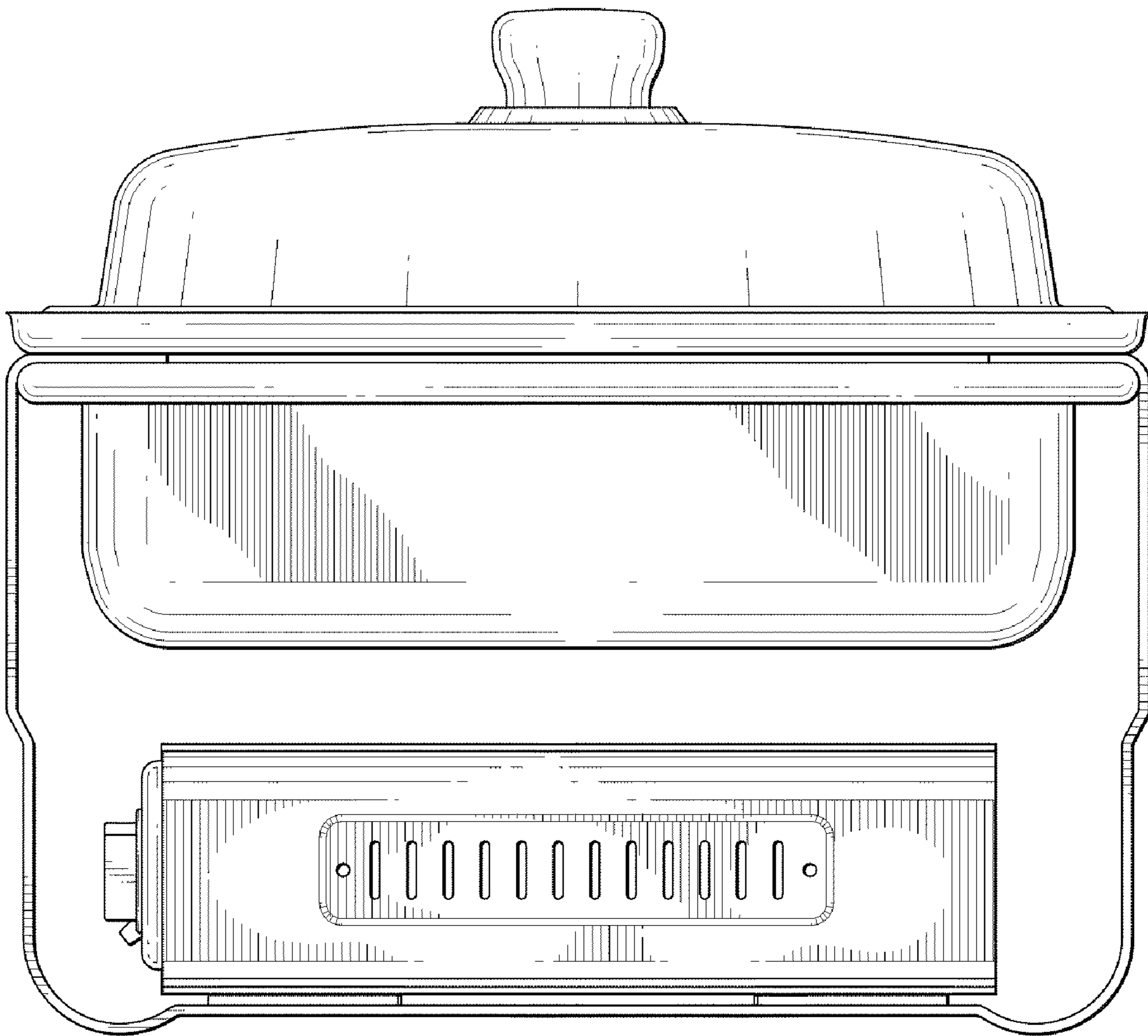


FIG. 10

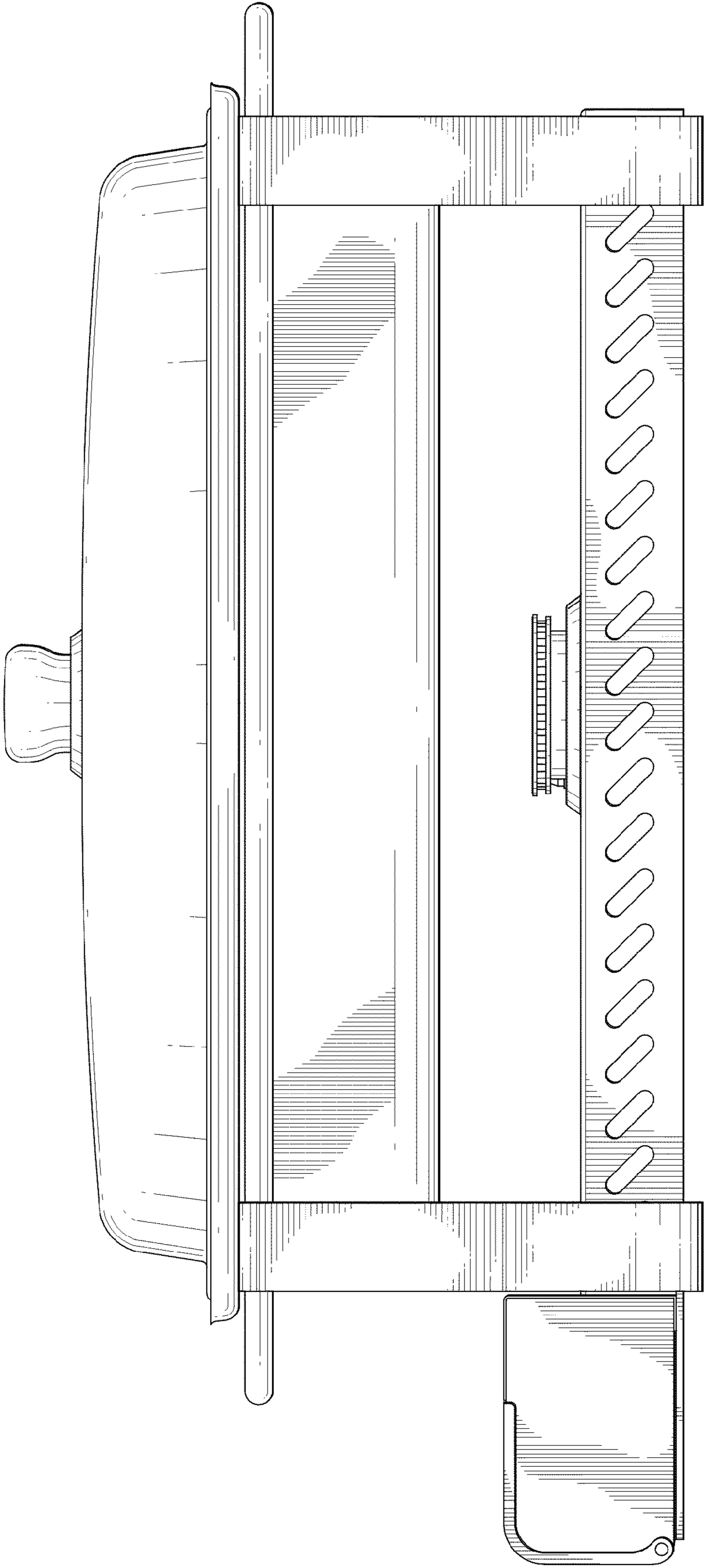


FIG. 11

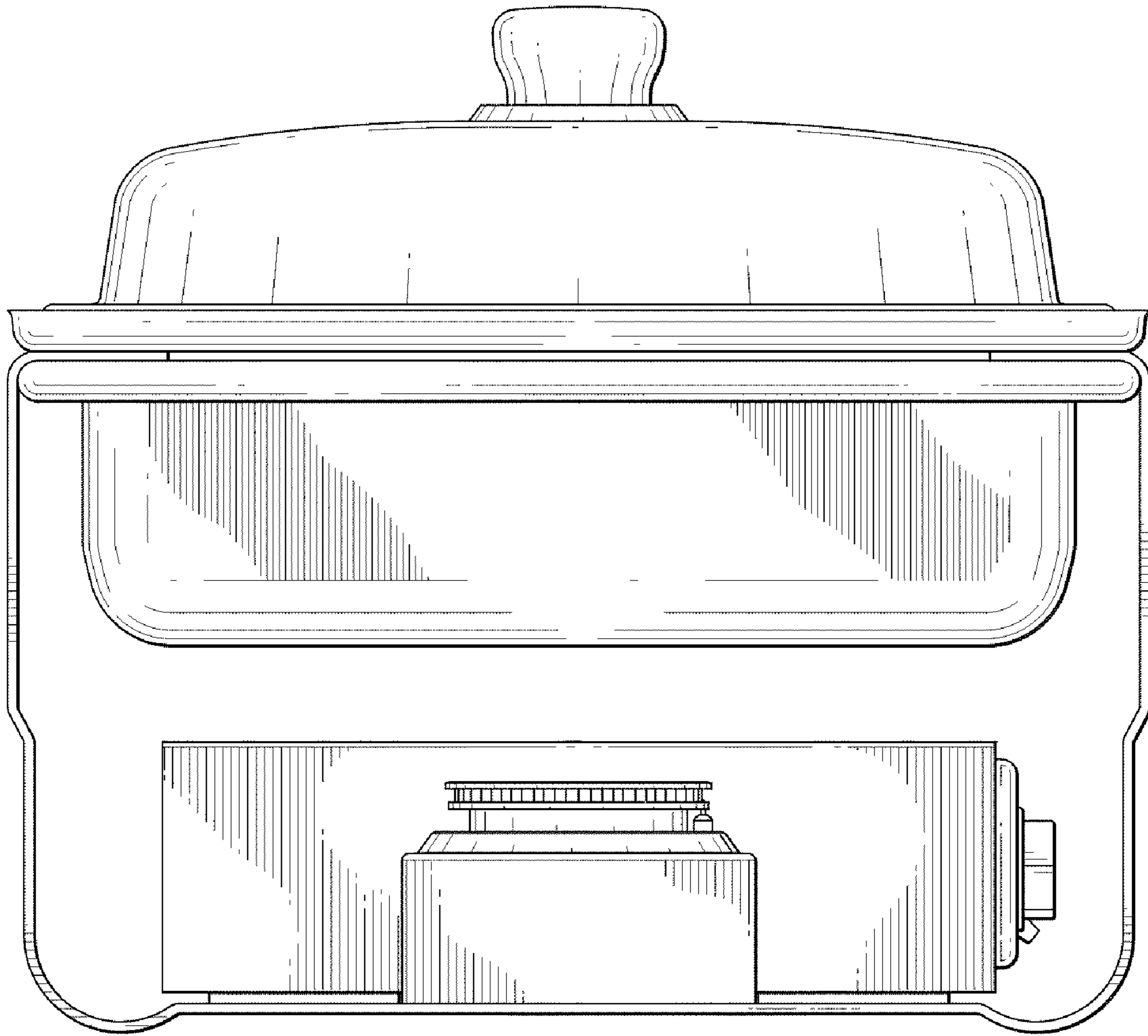


FIG. 12

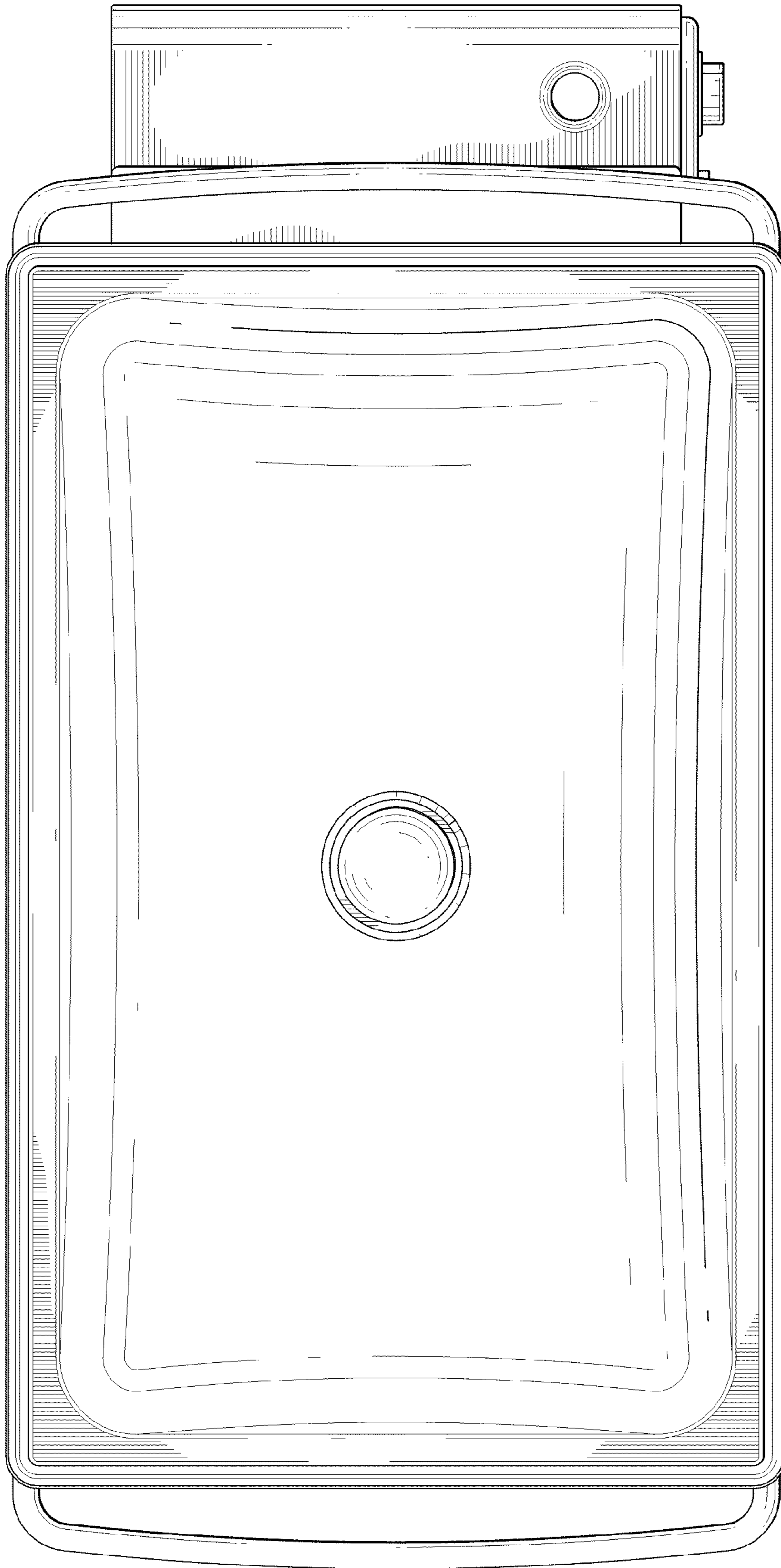


FIG. 13

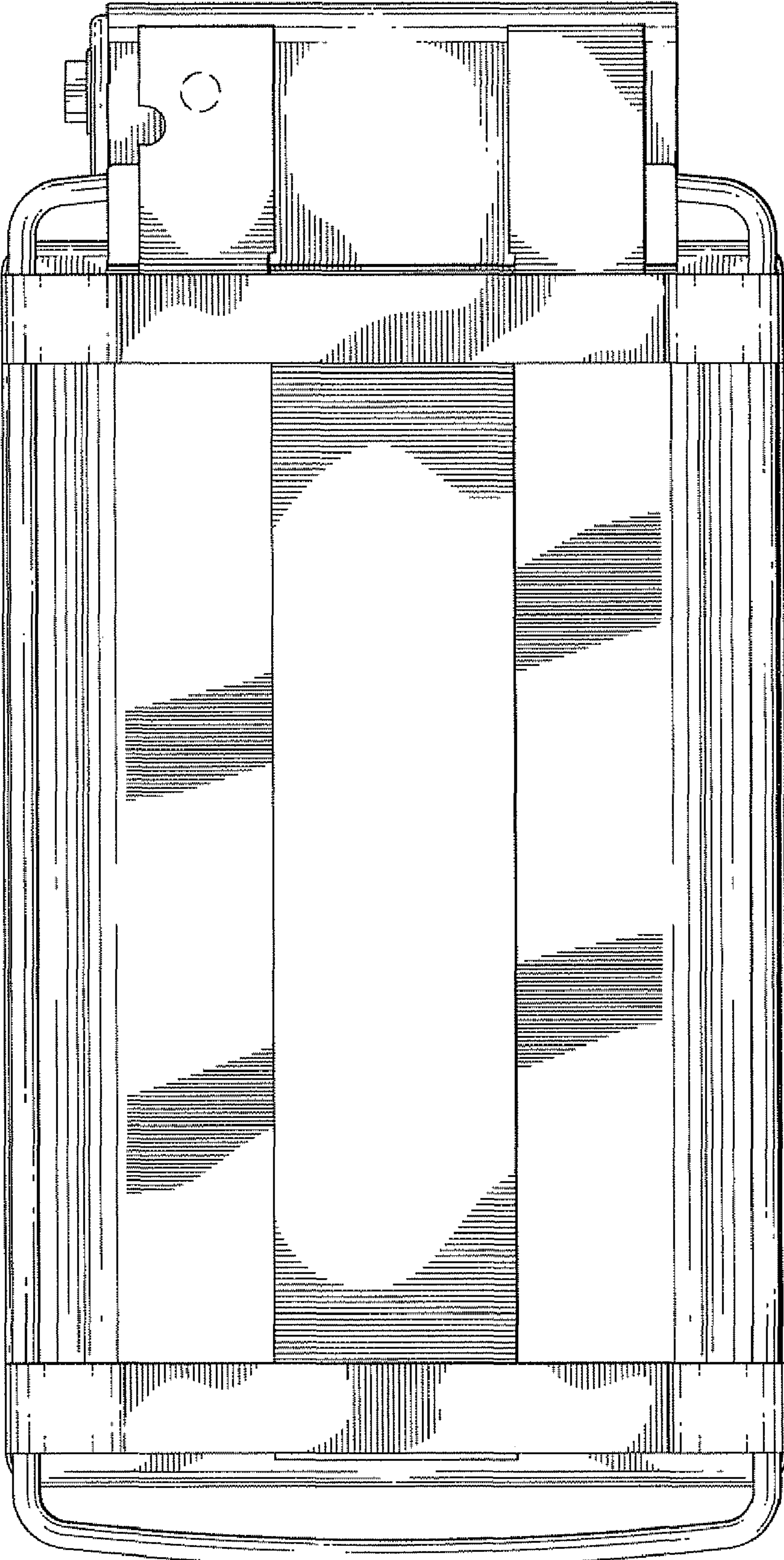


FIG. 14