



US00D645291S

(12) **United States Design Patent**
Randall et al.

(10) **Patent No.:** **US D645,291 S**

(45) **Date of Patent:** **** Sep. 20, 2011**

(54) **LIQUID WARMER**

(56) **References Cited**

(76) Inventors: **Mark Edward Randall**, Rochester, NY (US); **Christopher L. Hawker**, Columbus, OH (US); **Jessica Moreland**, Columbus, OH (US); **Christopher Trunek**, Auburn Township, OH (US)

U.S. PATENT DOCUMENTS

5,248,870 A * 9/1993 Redal 219/521
D466,755 S * 12/2002 Henry D7/323
D597,783 S * 8/2009 Salerno D7/323

* cited by examiner

Primary Examiner — Catheri Oliver

(74) *Attorney, Agent, or Firm* — Gordin IP

(**) Term: **14 Years**

(57) **CLAIM**

An ornamental design for a liquid warmer, as shown.

(21) Appl. No.: **29/377,566**

DESCRIPTION

(22) Filed: **Oct. 22, 2010**

(51) **LOC (9) Cl.** **07-02**

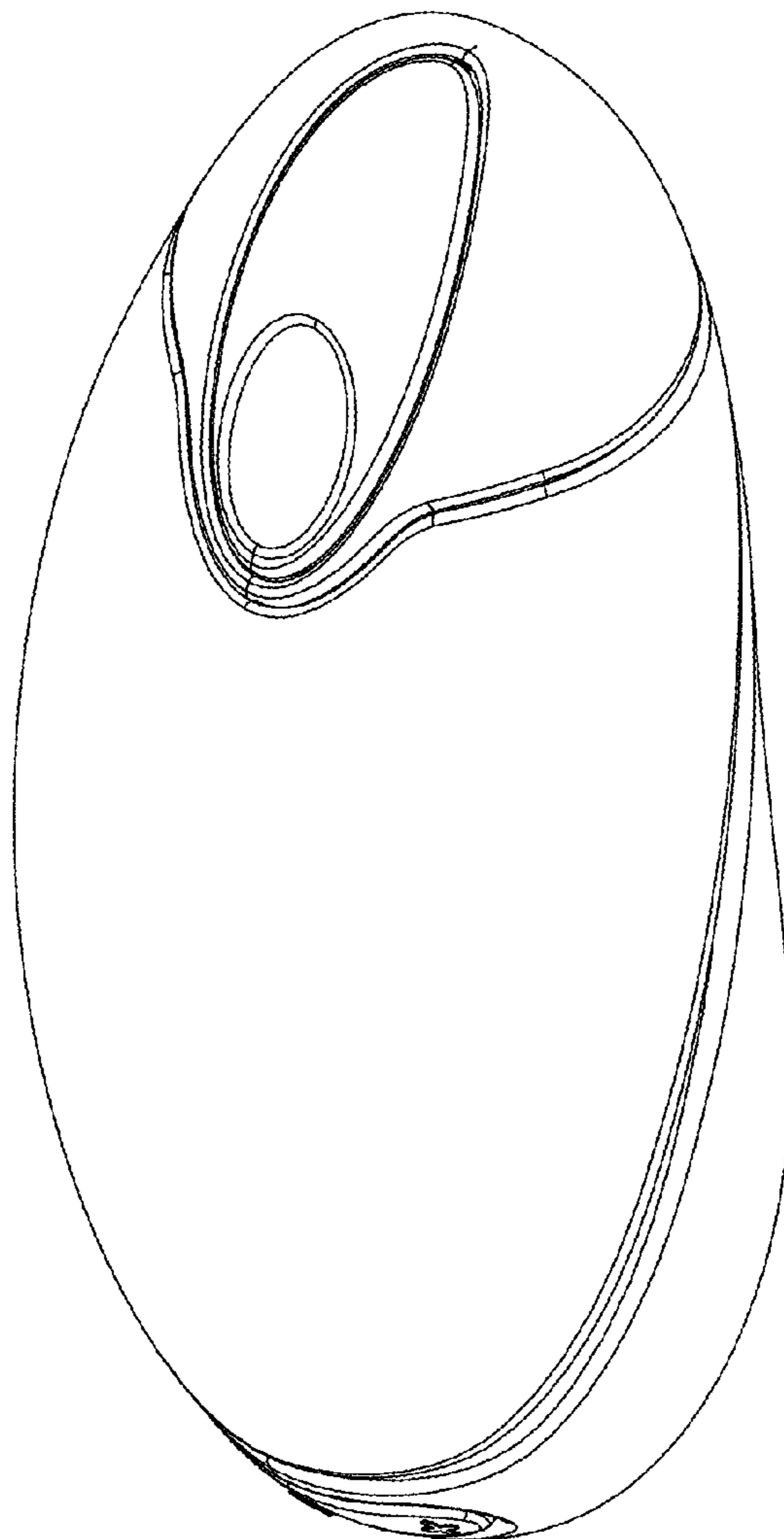
(52) **U.S. Cl.** **D7/323**

(58) **Field of Classification Search** D7/323,
D7/511–512, 507, 523, 608, 354–356; 219/432–433,
219/435, 521

FIG. 1 shows an isometric view of a liquid warmer.
FIG. 2 shows a top view of a liquid warmer.
FIG. 3 shows a bottom view of a liquid warmer.
FIG. 4 shows a side view of a liquid warmer.
FIG. 5 shows a front view of a liquid warmer; and,
FIG. 6 shows a rear view of of a liquid warmer.

See application file for complete search history.

1 Claim, 6 Drawing Sheets



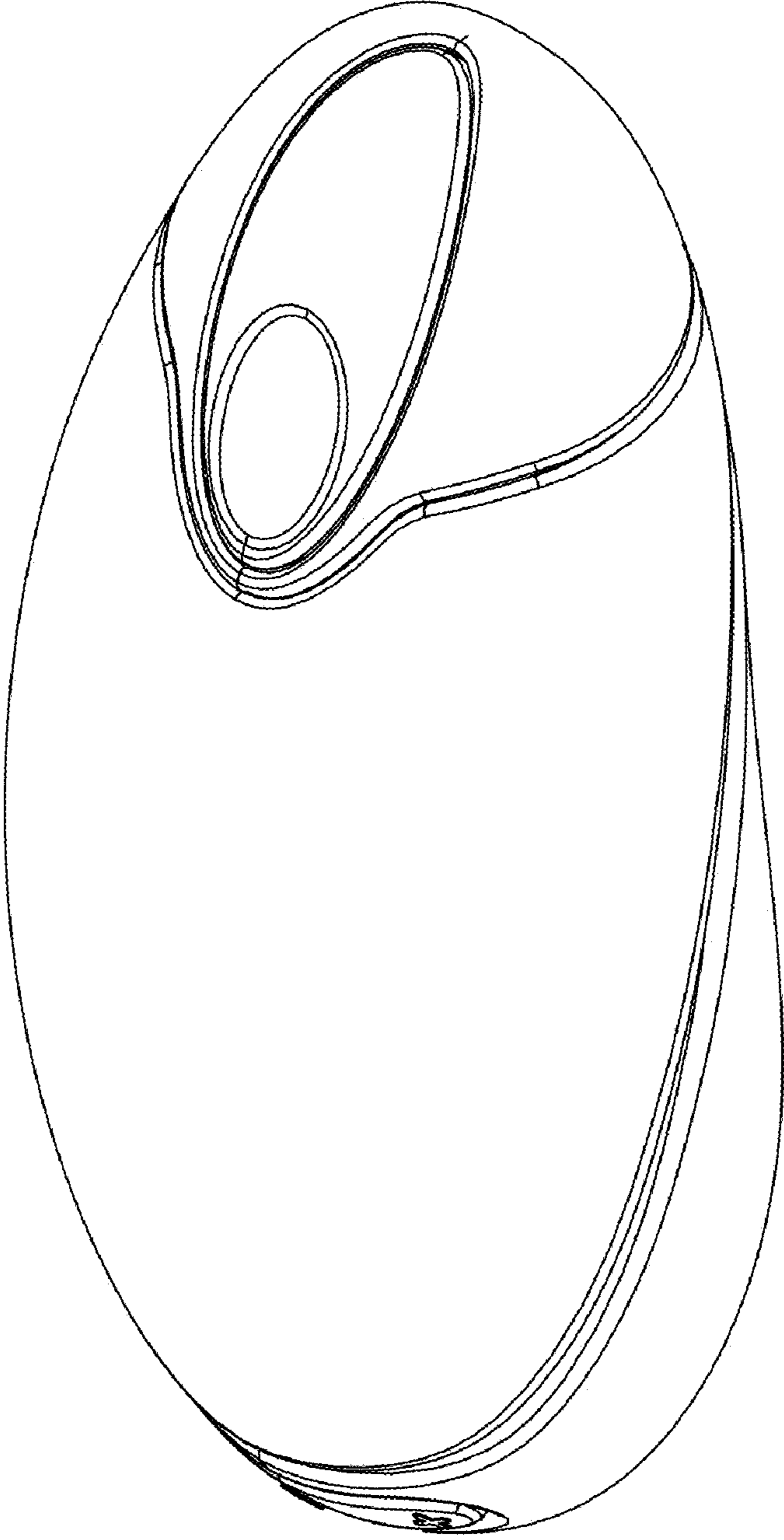


Figure 1

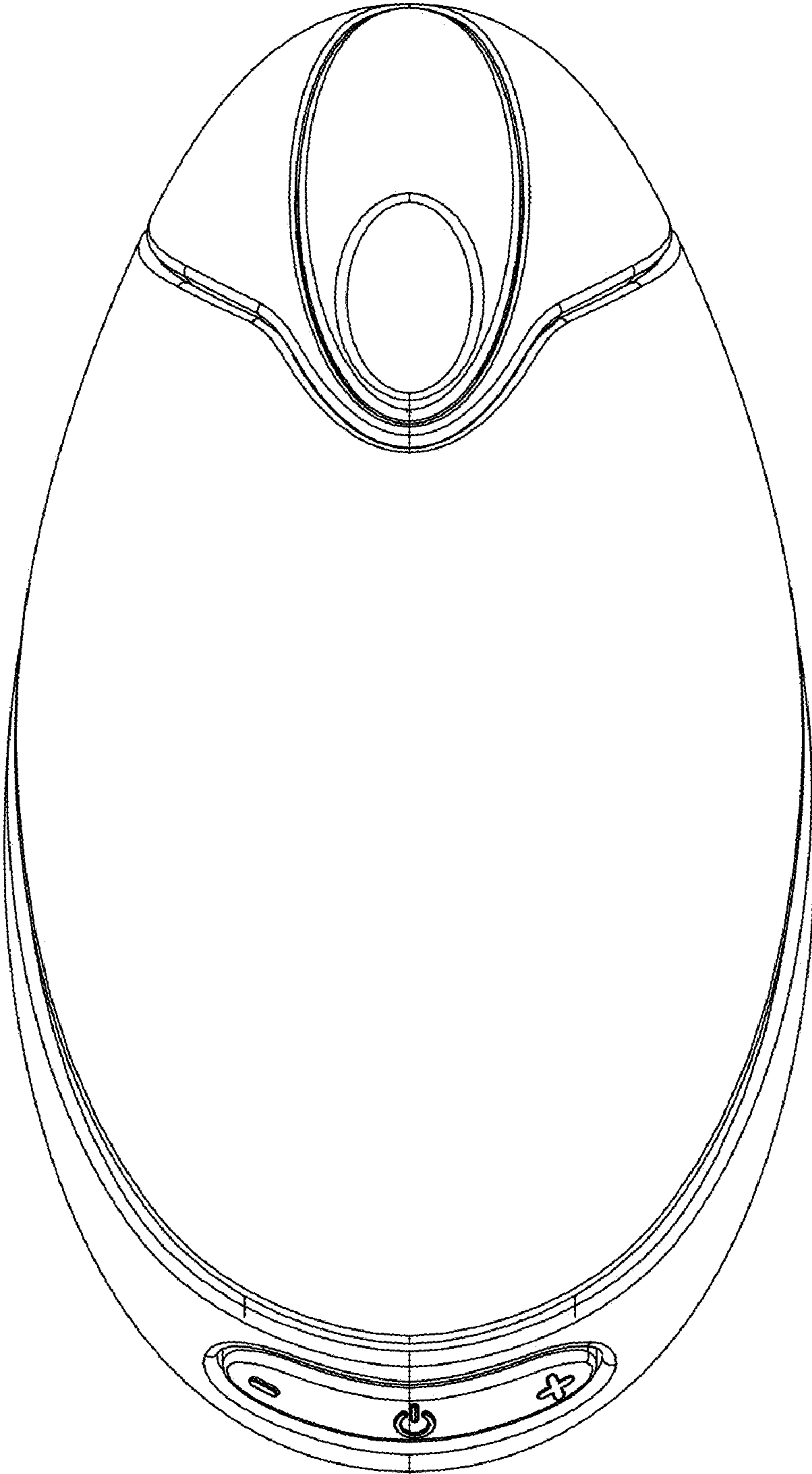


Figure 2

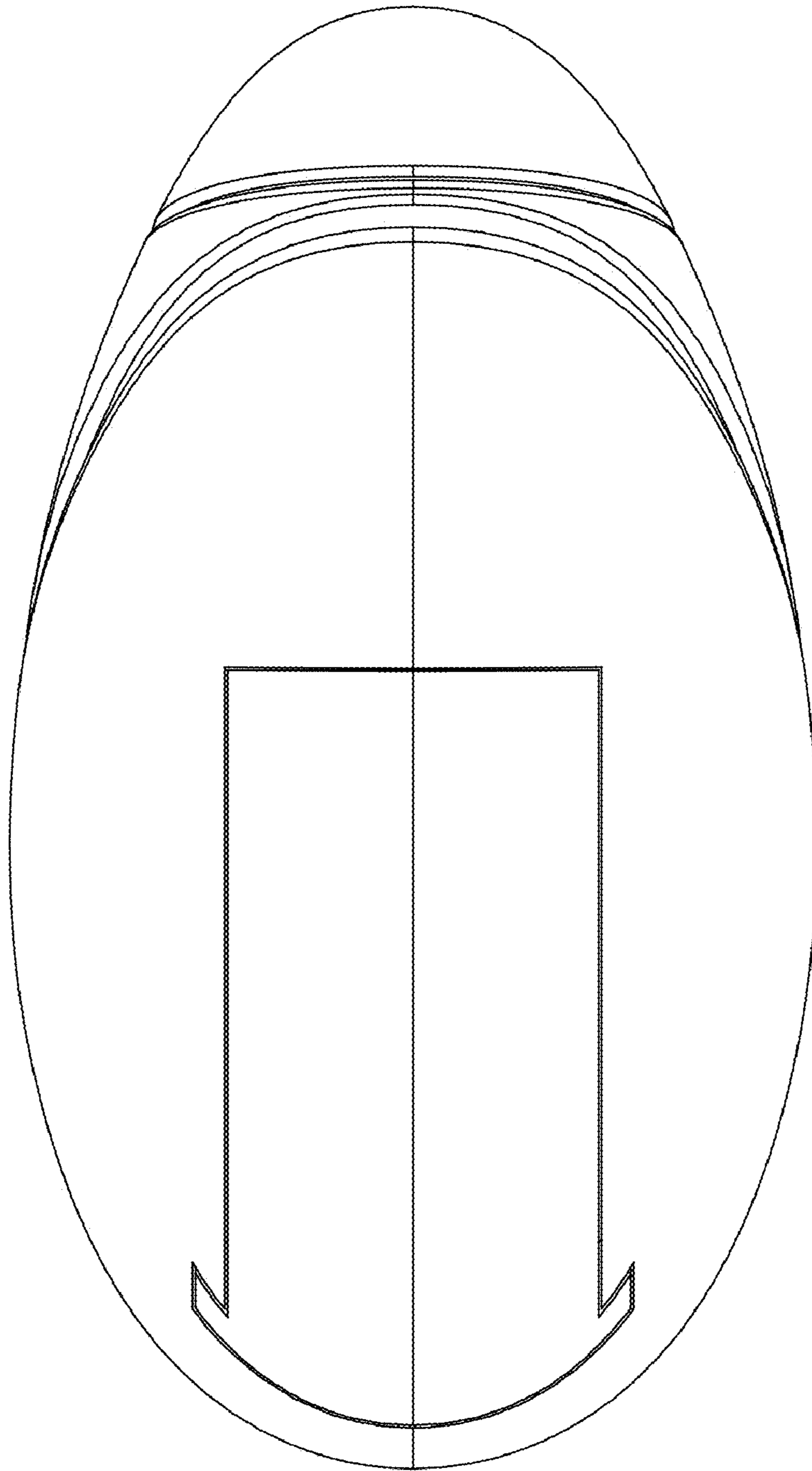


Figure 3

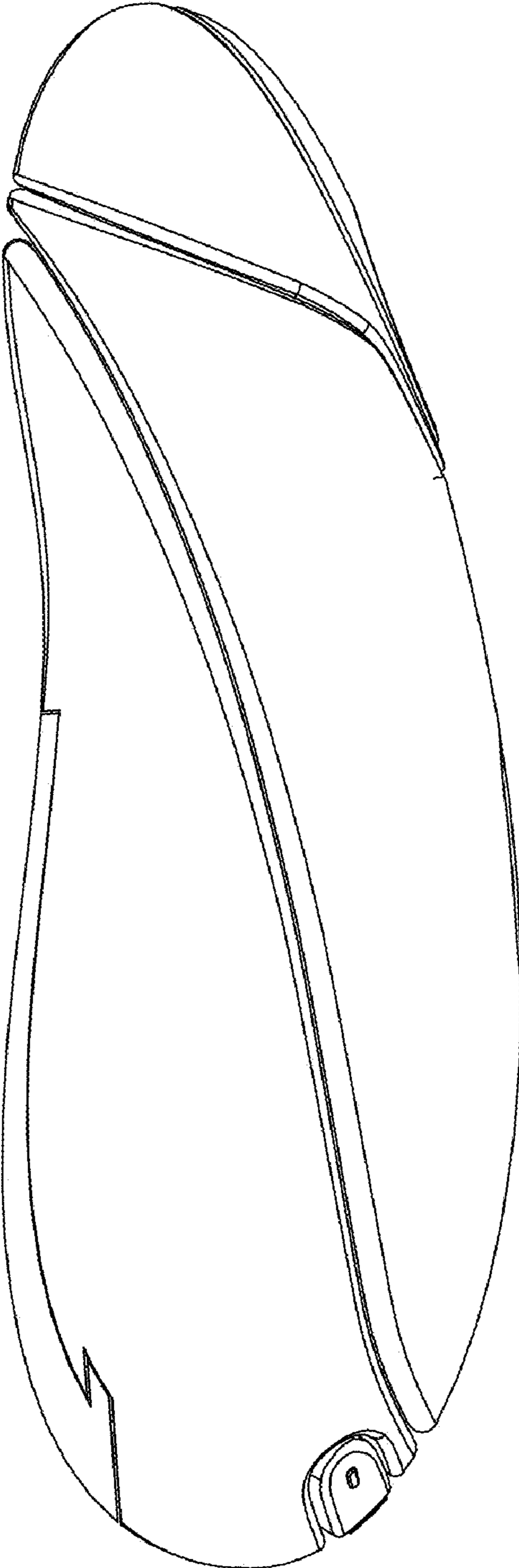


Figure 4

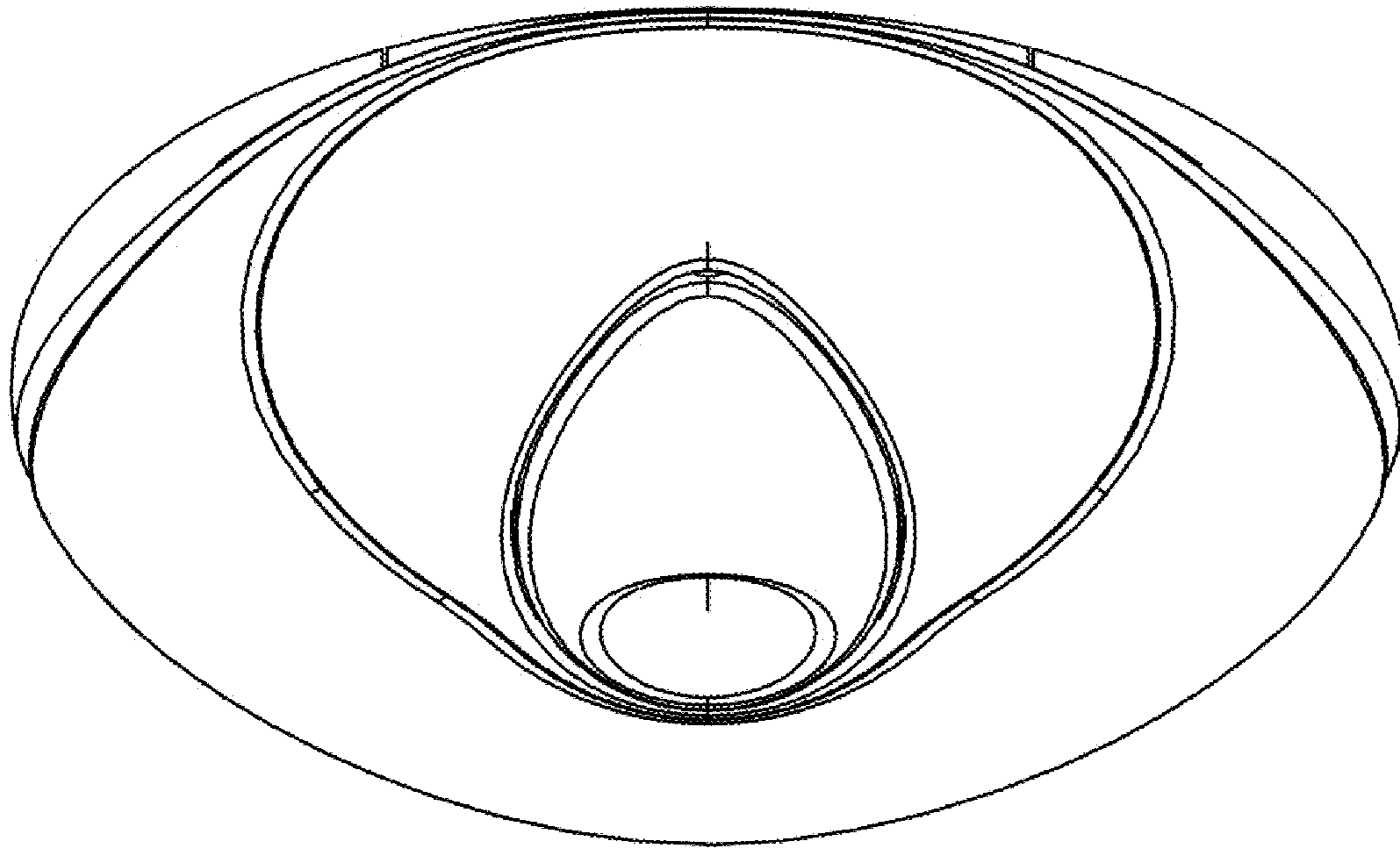


Figure 5

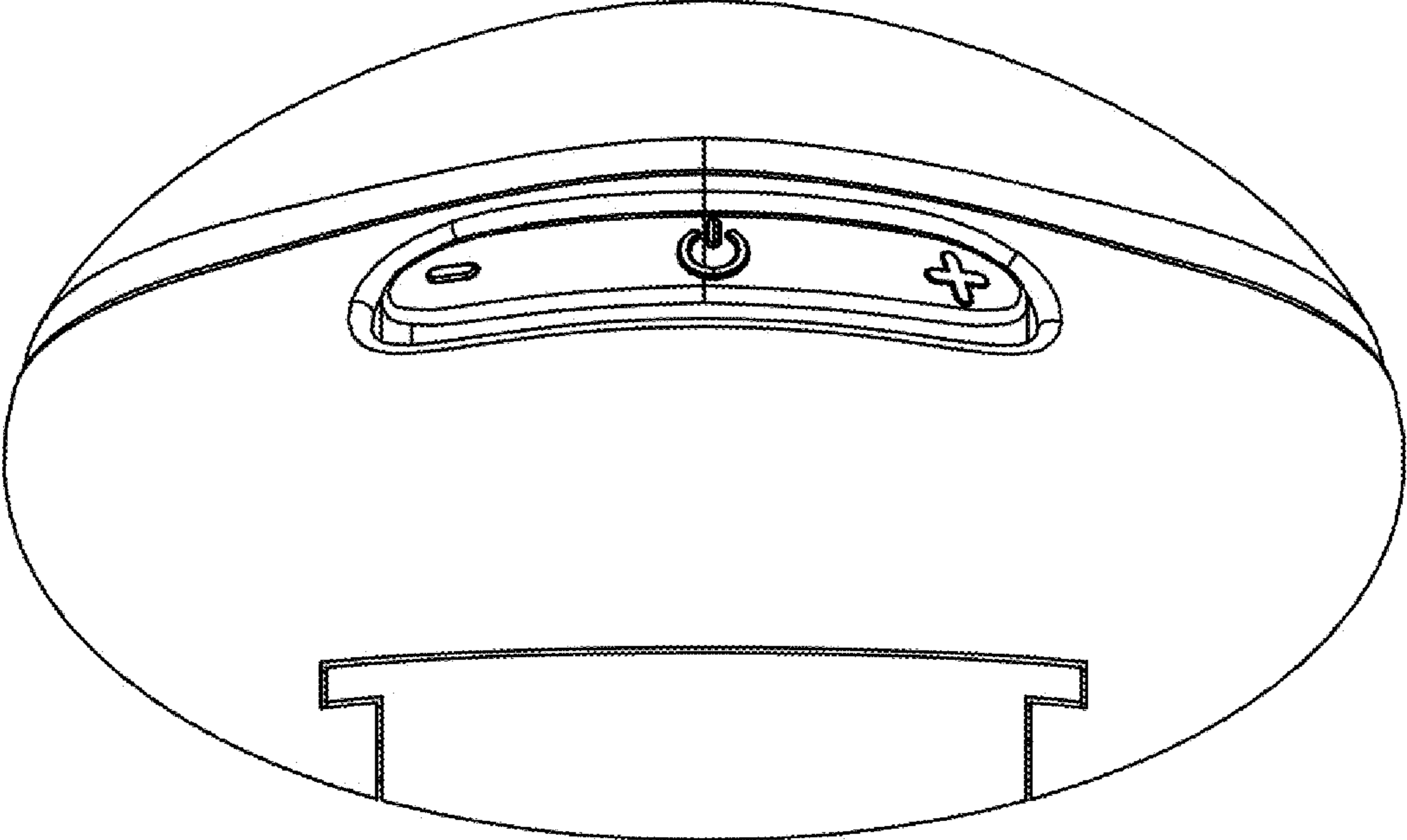


Figure 6