



US00D645290S

(12) **United States Design Patent**  
**Bodum**

(10) **Patent No.:** **US D645,290 S**

(45) **Date of Patent:** **\*\* Sep. 20, 2011**

(54) **COFFEE AND TEA MAKER**

(75) Inventor: **Jorgen Bodum**, Meggen (CH)

(73) Assignee: **PI-Design AG**, Triengen (CH)

(\*\*) Term: **14 Years**

(21) Appl. No.: **29/364,767**

(22) Filed: **Jun. 28, 2010**

(30) **Foreign Application Priority Data**

Dec. 29, 2009 (WO) ..... 527093401

(51) **LOC (9) Cl.** ..... **07-01**

(52) **U.S. Cl.** ..... **D7/319; D7/317**

(58) **Field of Classification Search** ..... D7/300,  
D7/322, 312, 321, 316-319; D23/212; 222/571,  
222/465.1; 210/238; 220/298; 99/302 P,  
99/322, 295, 317

See application file for complete search history.

(56) **References Cited**

**U.S. PATENT DOCUMENTS**

D288,890 S *	3/1987	Lebowitz	.....	D7/322
D343,759 S *	2/1994	Jorgensen	.....	D7/318
5,453,189 A *	9/1995	Joergensen	.....	210/238
D372,627 S *	8/1996	Ireland	.....	D7/319
D377,132 S *	1/1997	Jørgensen	.....	D7/318
D378,261 S *	3/1997	Jørgensen	.....	D7/319
D384,540 S *	10/1997	Joergensen	.....	D7/319
D414,984 S *	10/1999	Joergensen	.....	
D415,648 S *	10/1999	Joergensen	.....	D7/317
D450,521 S *	11/2001	Joergensen	.....	D7/319
D458,074 S *	6/2002	Bodum	.....	D7/319
D552,404 S *	10/2007	Bodum	.....	D7/321
D559,028 S *	1/2008	Appleton	.....	D7/317

D559,030 S *	1/2008	Bodum	.....	D7/319
D560,091 S *	1/2008	Bodum	.....	D7/316
D563,713 S *	3/2008	Bodum	.....	D7/319
D565,340 S *	4/2008	Bodum	.....	D7/319
D565,887 S *	4/2008	Bodum	.....	D7/319
D566,454 S *	4/2008	Bodum	.....	D7/319
D567,006 S *	4/2008	Bodum	.....	D7/319
D594,267 S *	6/2009	Bodum	.....	D7/319
D594,268 S *	6/2009	Bodum	.....	
D596,891 S *	7/2009	Bodum	.....	D7/319
D610,860 S *	3/2010	Bodum	.....	D7/319
D628,846 S *	12/2010	Bodum	.....	D7/319
D628,848 S *	12/2010	Junkins	.....	D7/354

**OTHER PUBLICATIONS**

Kenya Tea press, Bodum catalog 2009, p. 46 (Jan. 2009).

\* cited by examiner

*Primary Examiner* — Marianne Pandozzi

(74) *Attorney, Agent, or Firm* — Sughrue Mion, PLLC

(57) **CLAIM**

The ornamental design for a coffee and tea maker, as shown and described.

**DESCRIPTION**

FIG. 1 is a perspective view of a first embodiment of a coffee and tea maker showing my new design; FIG. 2 is a right side view thereof; FIG. 3 is a left side view thereof; FIG. 4 is a front side view thereof; FIG. 5 is a back side view thereof; FIG. 6 is a top view thereof; FIG. 7 is a bottom view thereof; FIG. 8 is a partially exploded perspective view thereof; and, FIG. 9 is an exploded perspective view thereof.

**1 Claim, 9 Drawing Sheets**

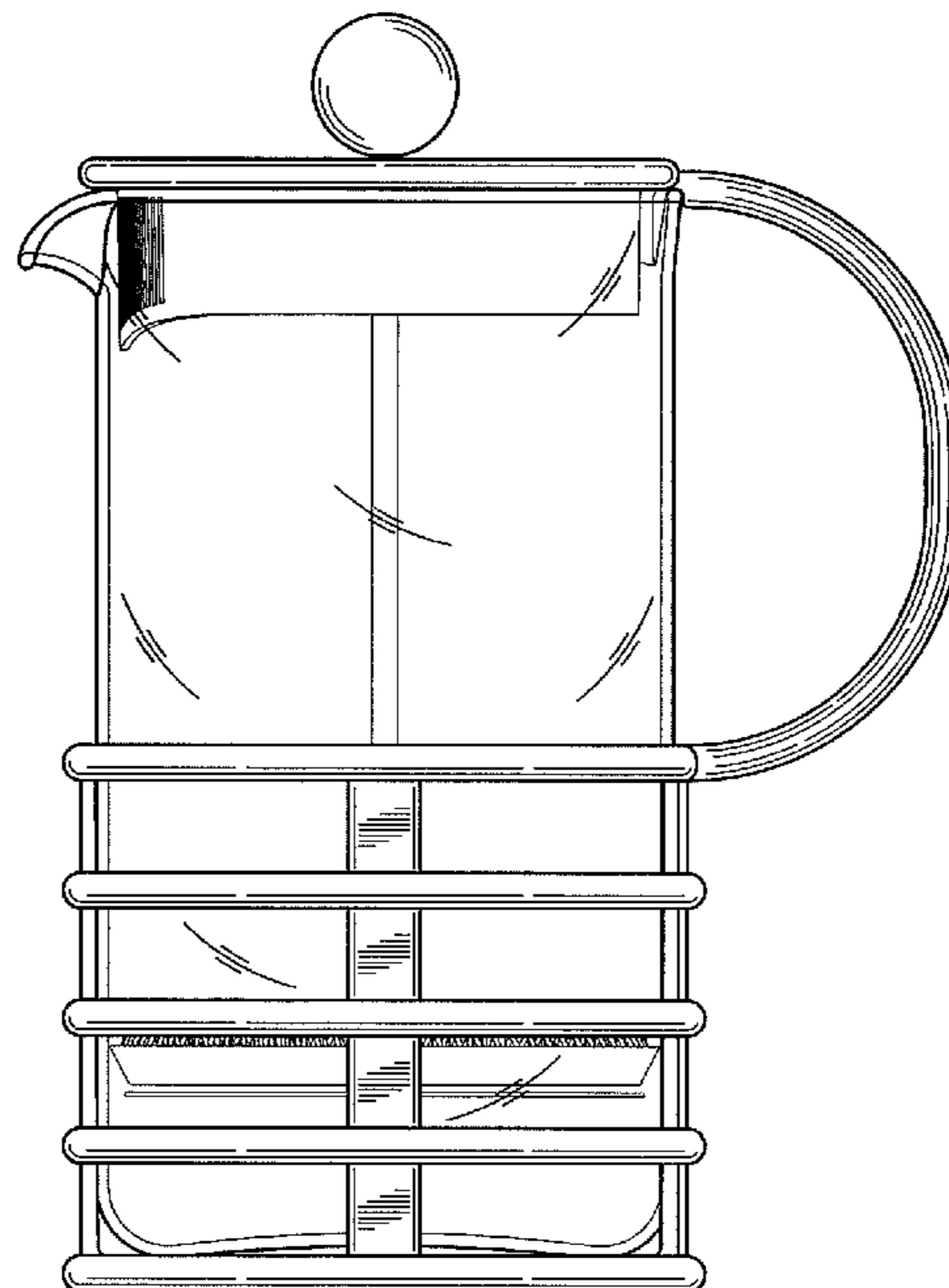
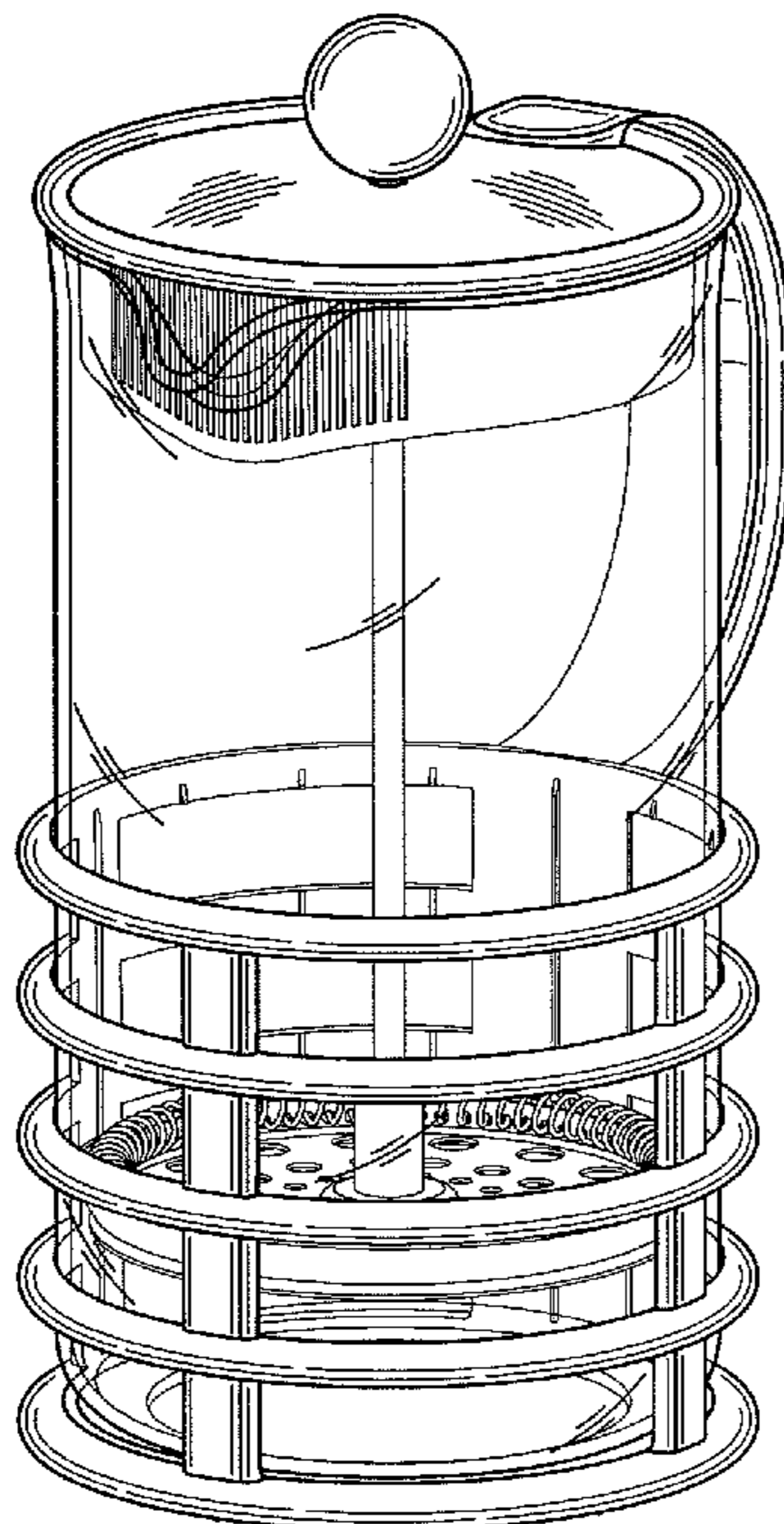


FIG. 1

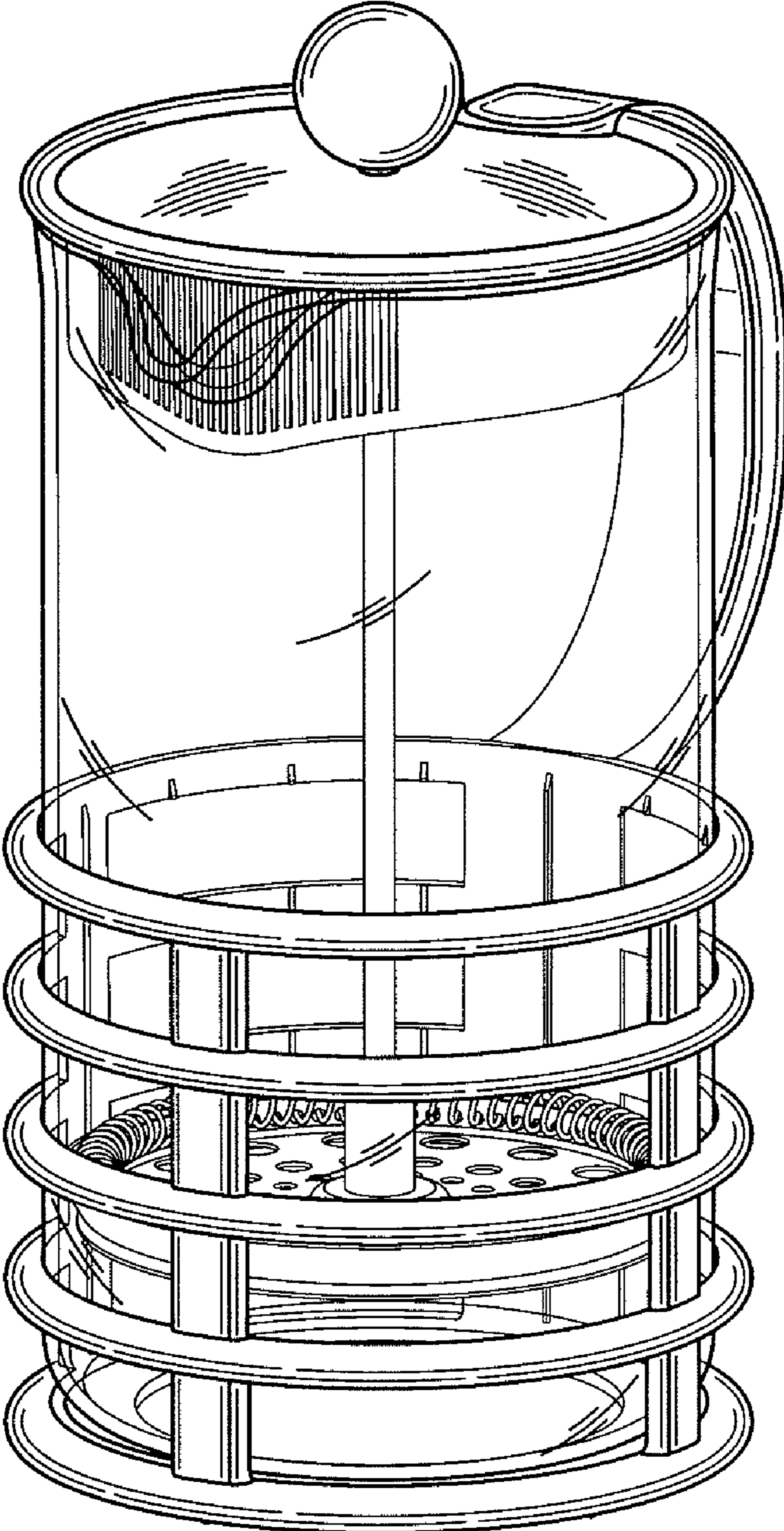


FIG. 2

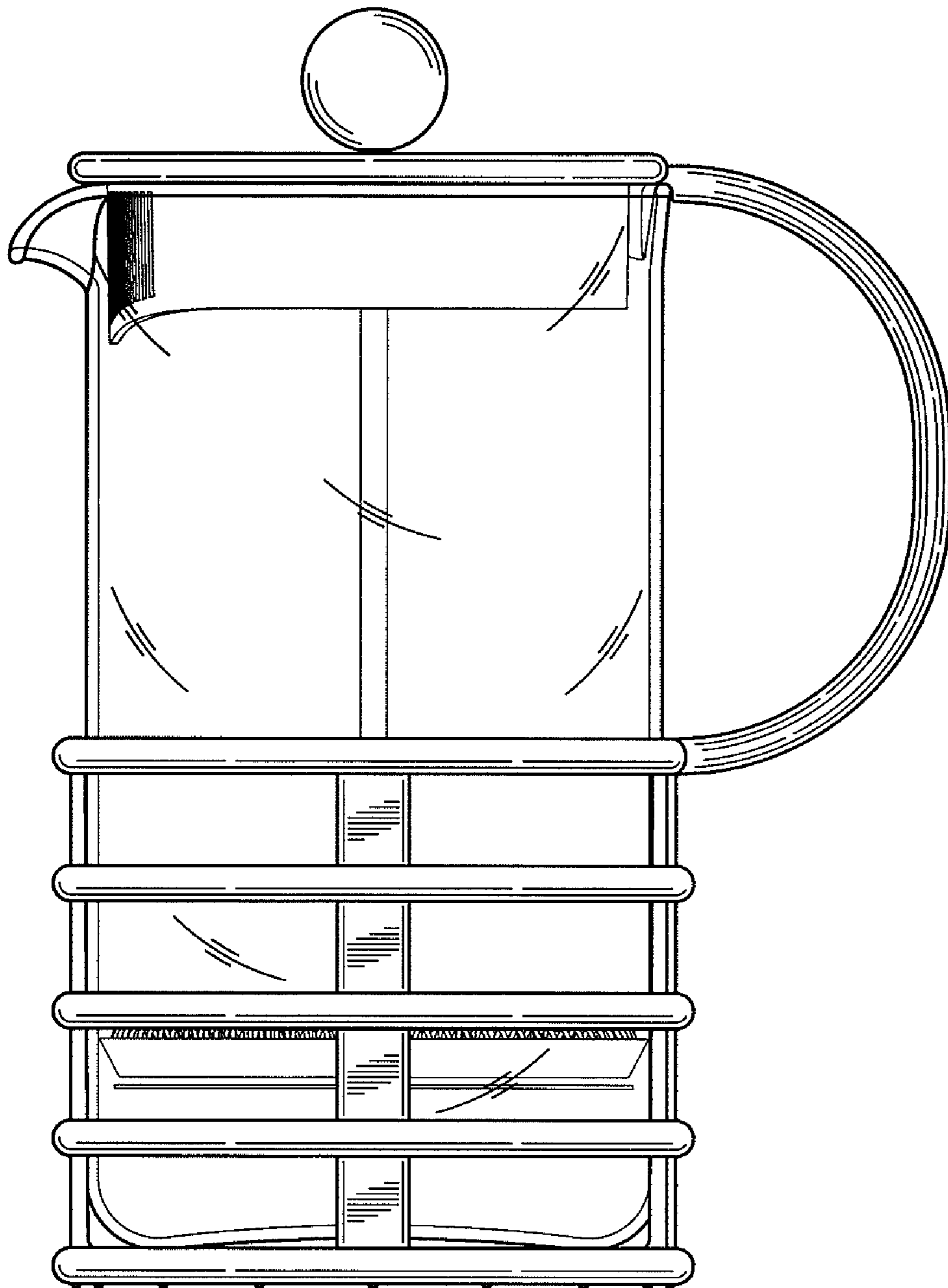


FIG. 3

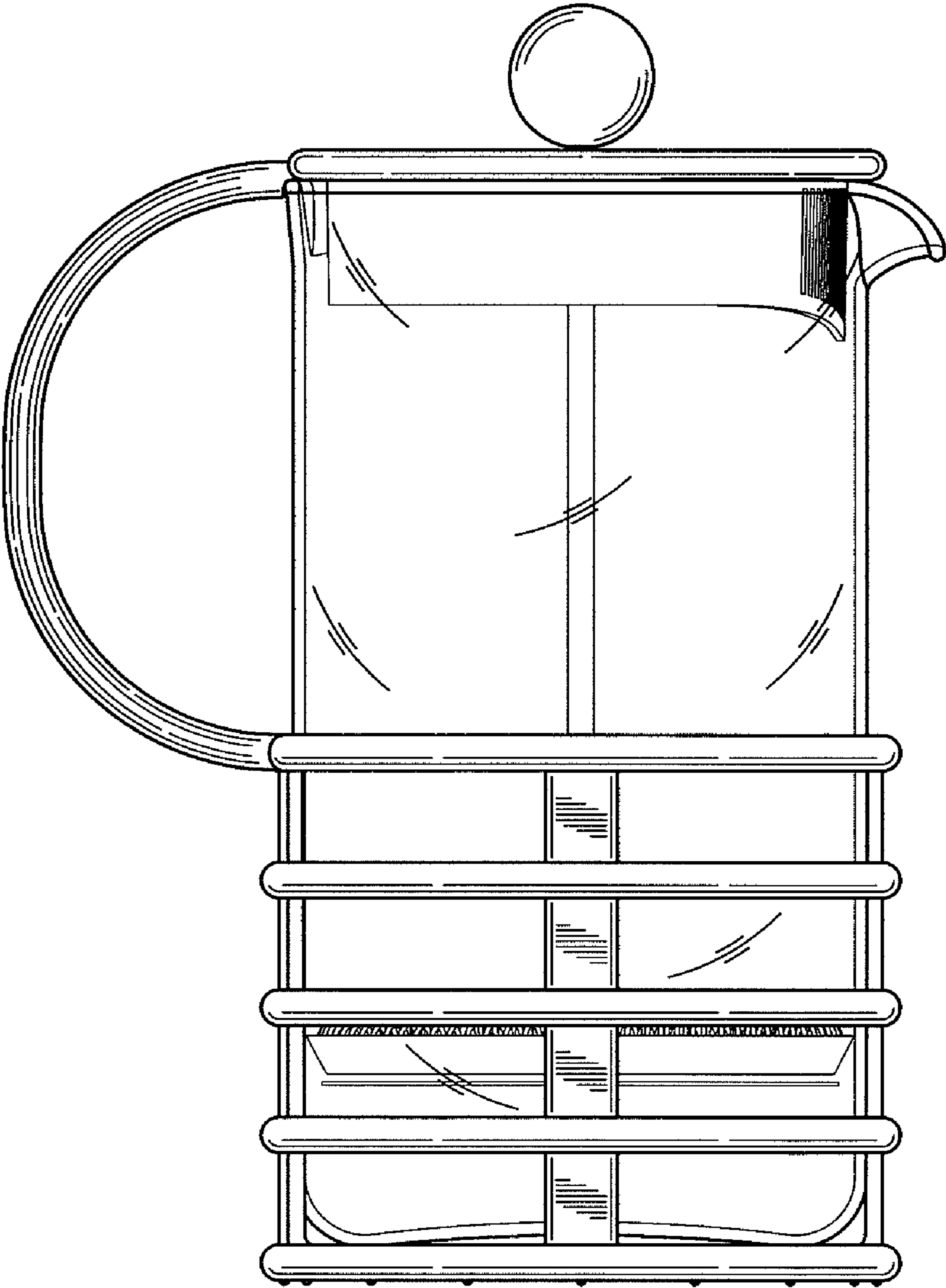




FIG. 4

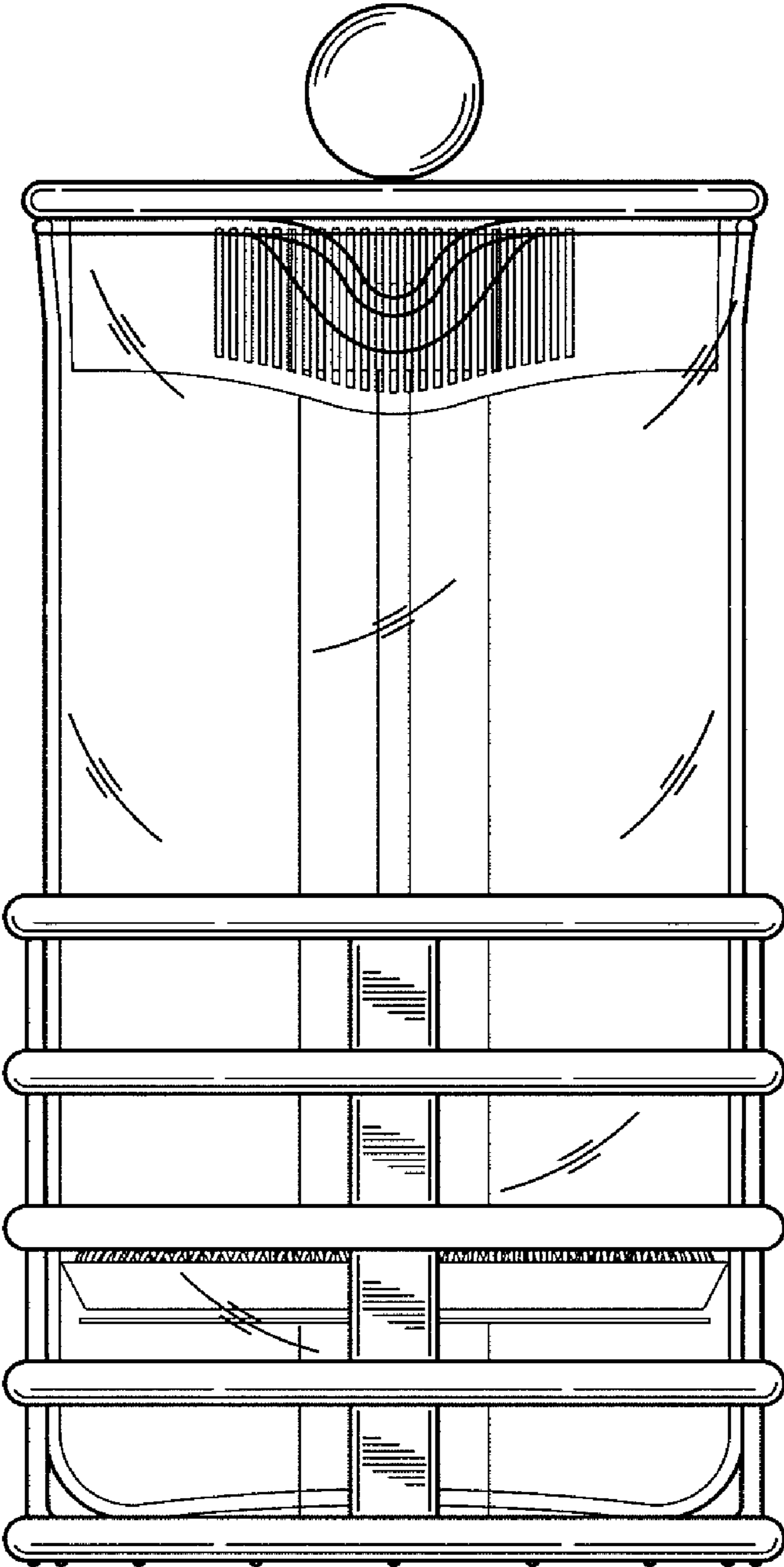
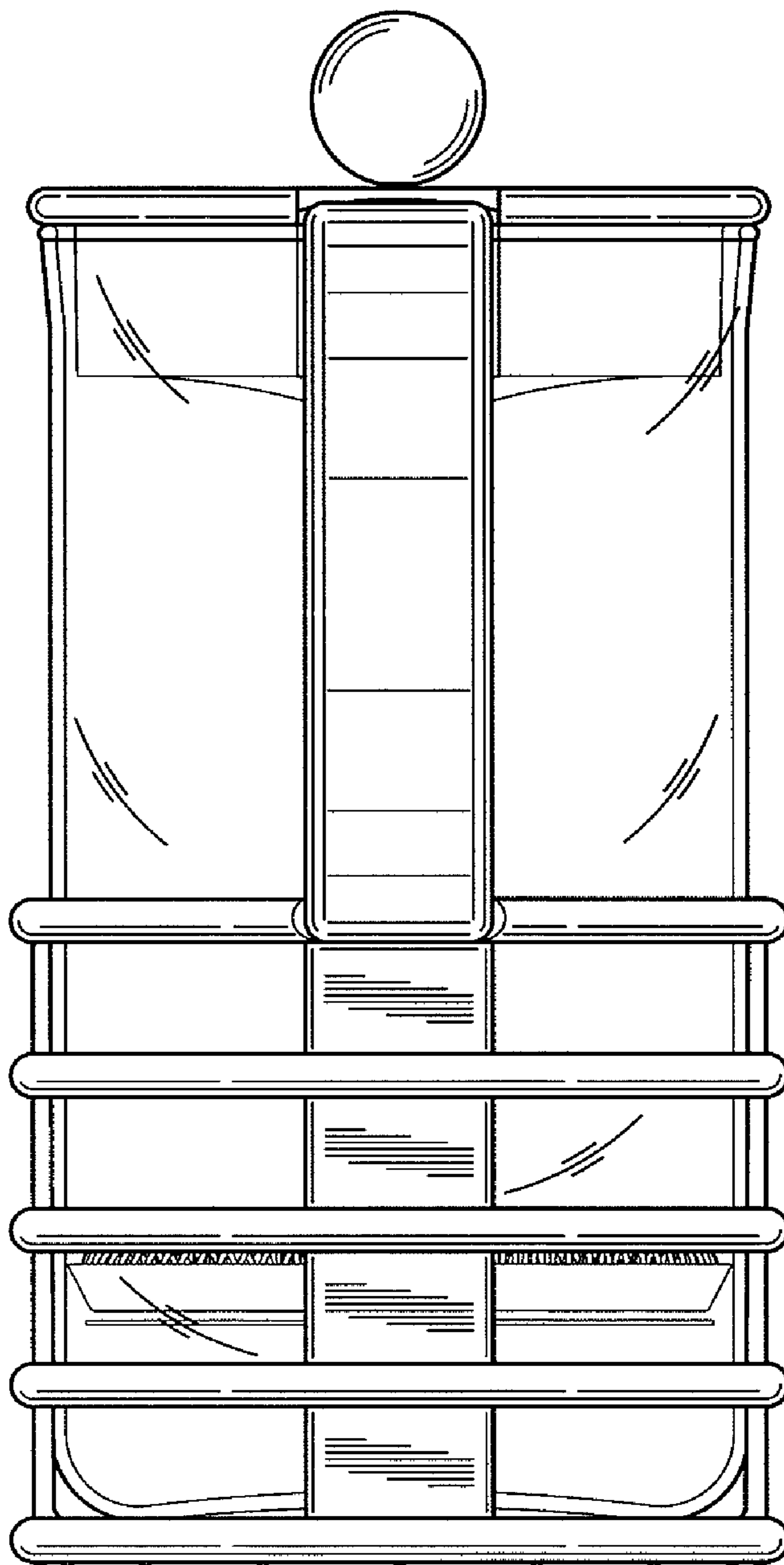


FIG. 5



**FIG. 6**

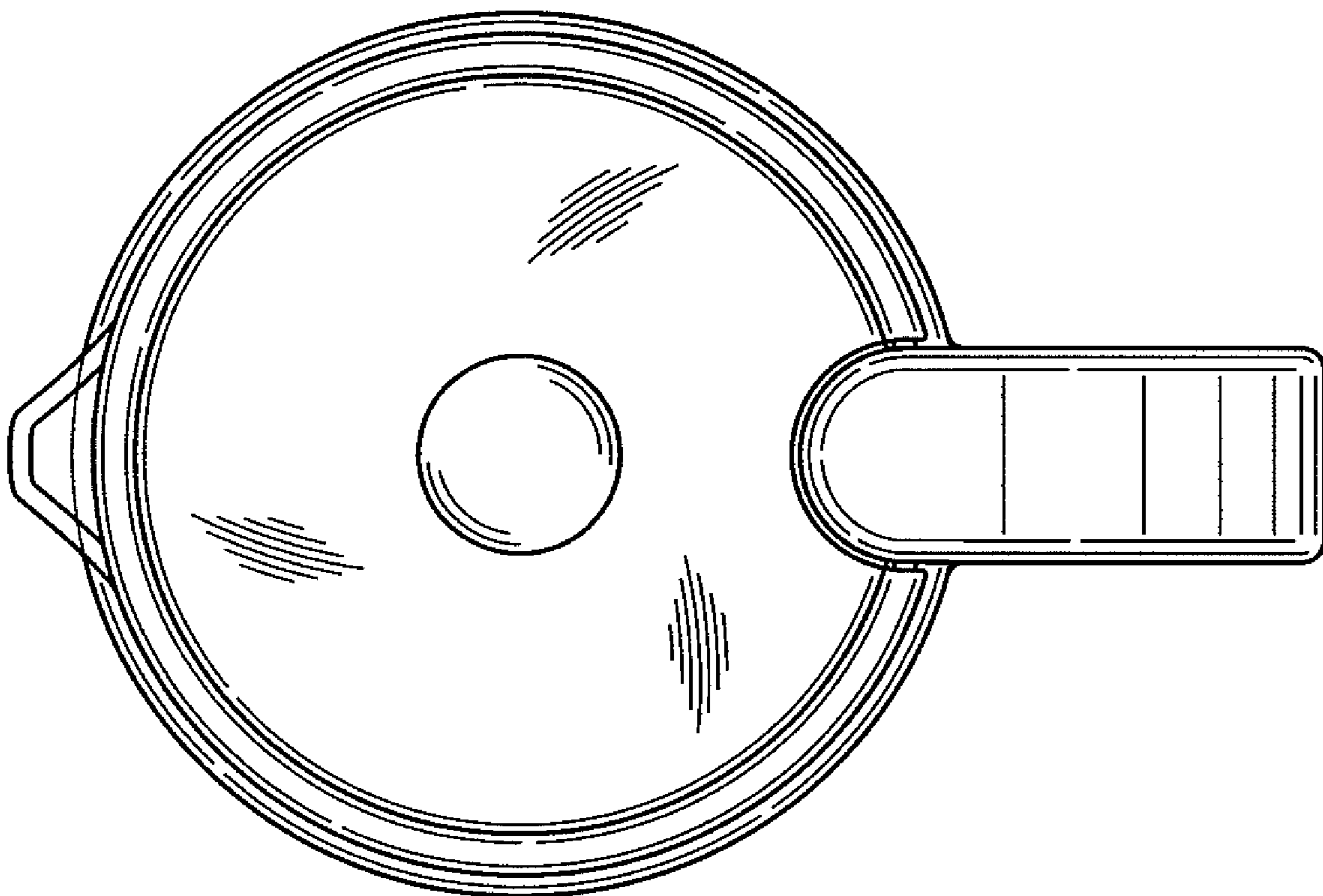


FIG. 7

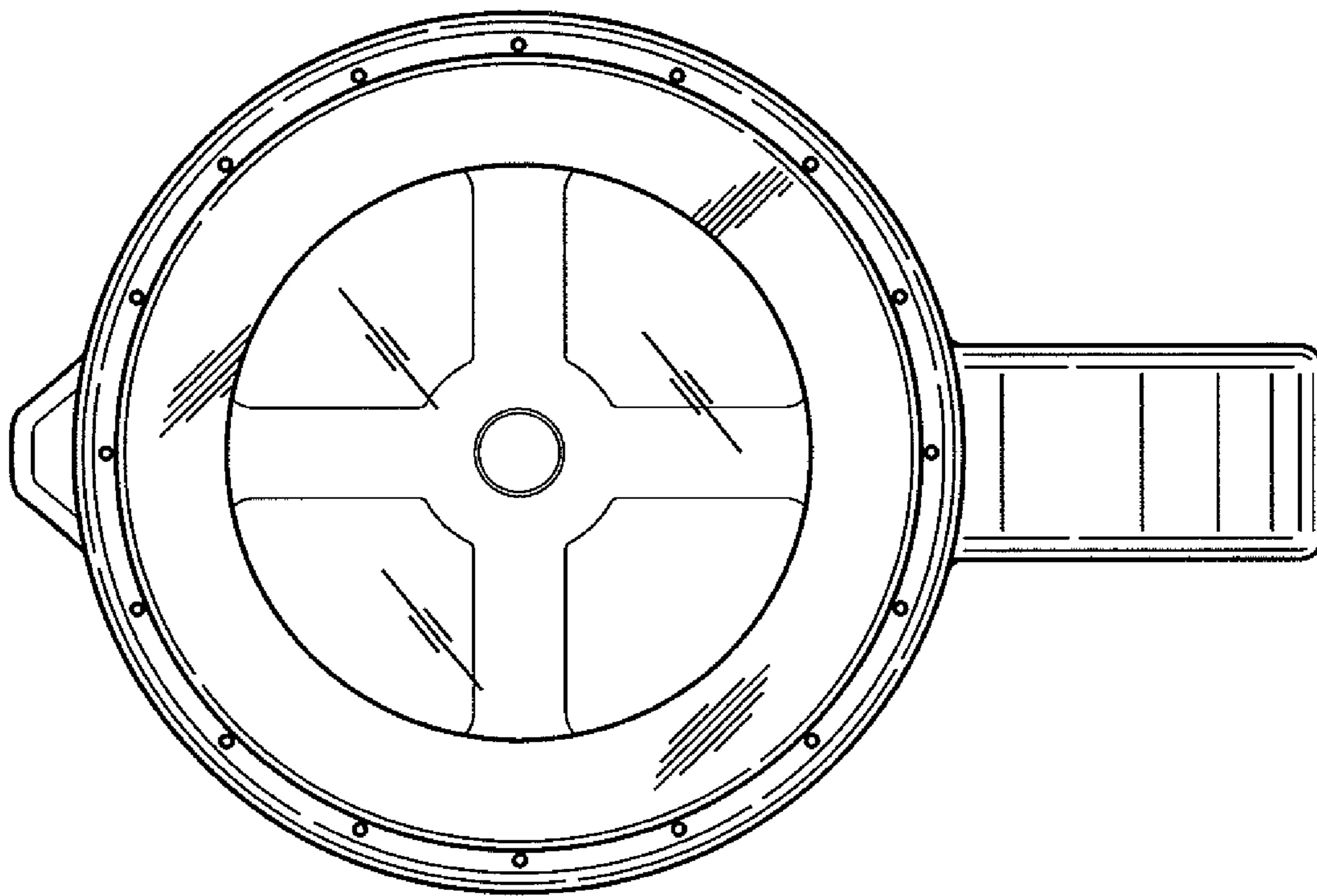




FIG. 8

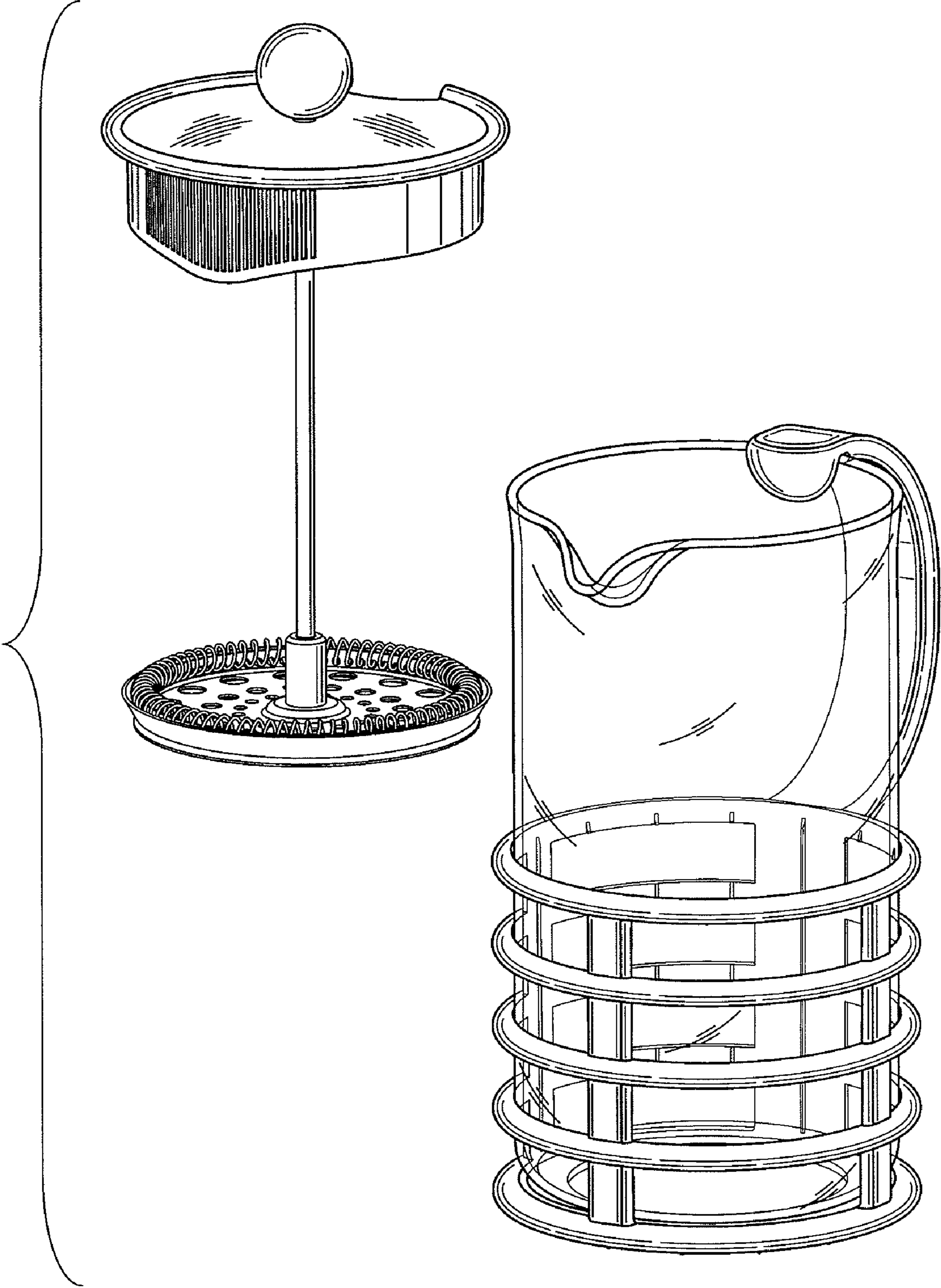


FIG. 9

