



US00D645280S

(12) **United States Design Patent**
Huffman et al.

(10) **Patent No.:** **US D645,280 S**

(45) **Date of Patent:** **** Sep. 20, 2011**

(54) **STEP**

(75) Inventors: **Paul Huffman**, Roanoke, VA (US);
Leonard Wedge, Roanoke, VA (US)

(73) Assignee: **Safety Step, LLC**, Roanoke, VA (US)

(**) Term: **14 Years**

(21) Appl. No.: **29/357,793**

(22) Filed: **Mar. 17, 2010**

(51) **LOC (9) Cl.** **06-01**

(52) **U.S. Cl.** **D6/496**

(58) **Field of Classification Search** D6/340,
D6/349-354, 355, 491, 492, 500-502; 297/16.1,
297/16.2, 175, 181, 186, 187, 195.1, 215.16,
297/440.12, 461, 462, DIG. 2

See application file for complete search history.

(56) **References Cited**

U.S. PATENT DOCUMENTS

D467,440 S	*	12/2002	Lindaman et al.	D6/349
D477,922 S	*	8/2003	Lindaman	D6/353
D477,923 S	*	8/2003	Lindaman	D6/353
D548,990 S	*	8/2007	Lindaman	D6/353
D561,483 S	*	2/2008	Buie, II	D6/353

OTHER PUBLICATIONS

Safety Step, "Step up to Safety Step" product line sheet prior to Mar. 17, 2009.

Safety Step, "Quality Accessories and Replacement Parts for your Safety Step" product line sheet prior to Mar. 17, 2009.

Safety Step, "Taking Safety to the Next Level", brochure prior to Mar. 17, 2009.

* cited by examiner

Primary Examiner — Sandra Snapp

(74) *Attorney, Agent, or Firm* — Dority & Manning, P.A.

(57) **CLAIM**

The ornamental design for a step, as shown and described.

DESCRIPTION

FIG. 1 is a bottom perspective view of the step according to the present invention;

FIG. 2 is a top plan view of the step illustrated in FIG. 1;

FIG. 3 is a bottom plan view of the step illustrated in FIG. 1;

FIG. 4 is a front elevation view of the step illustrated in FIG. 1, the rear elevation view being identical;

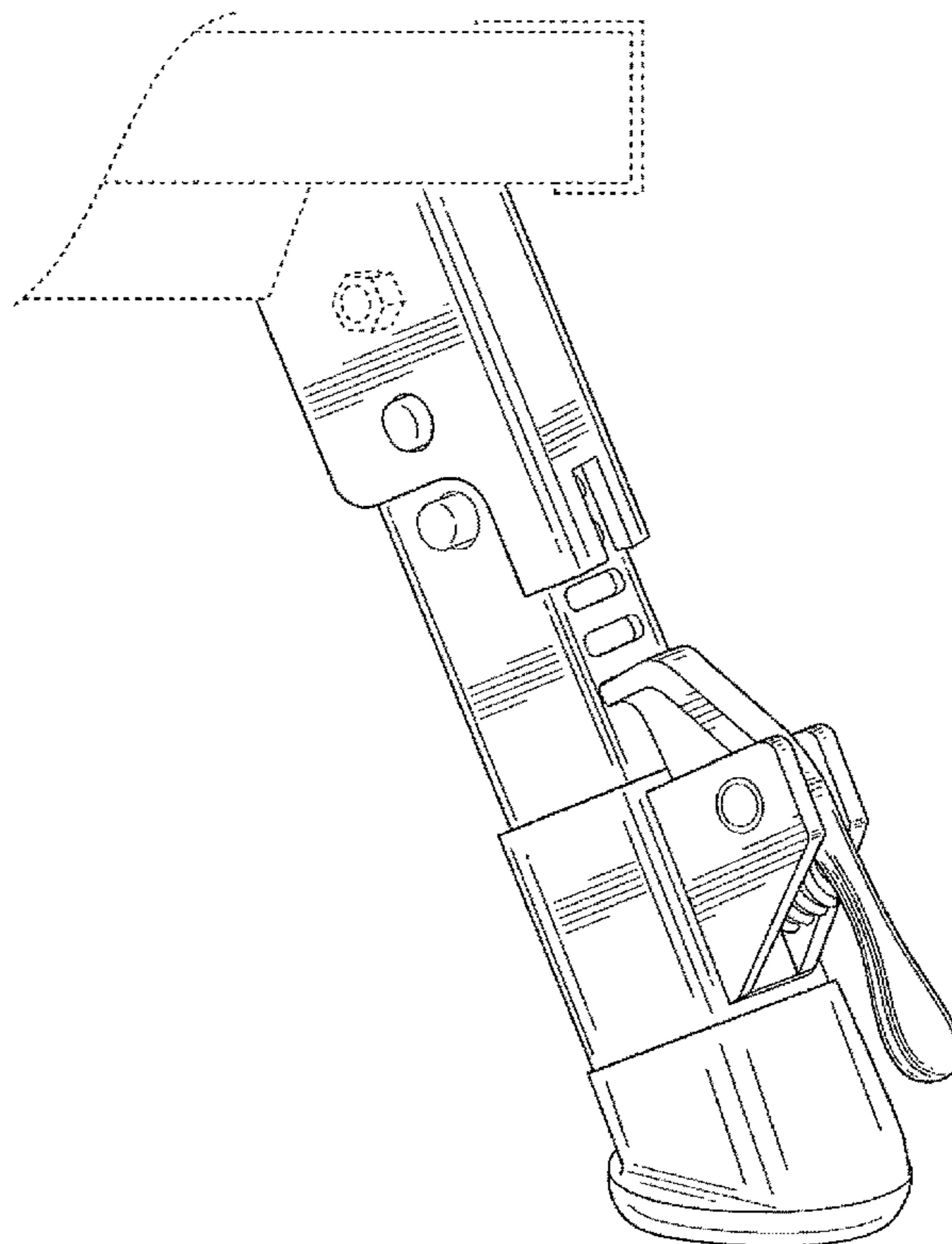
FIG. 5 is a left side elevation view of the step illustrated in FIG. 1, the right side elevation view being identical;

FIG. 6 is an enlarged front elevation view of the leg of the step illustrated in FIG. 1; and,

FIG. 7 is an enlarged perspective view of a leg of the step illustration in FIG. 1.

The dotted lines showing the platform in FIGS. 1-7 are environmental only and form no part of the claimed design.

1 Claim, 7 Drawing Sheets



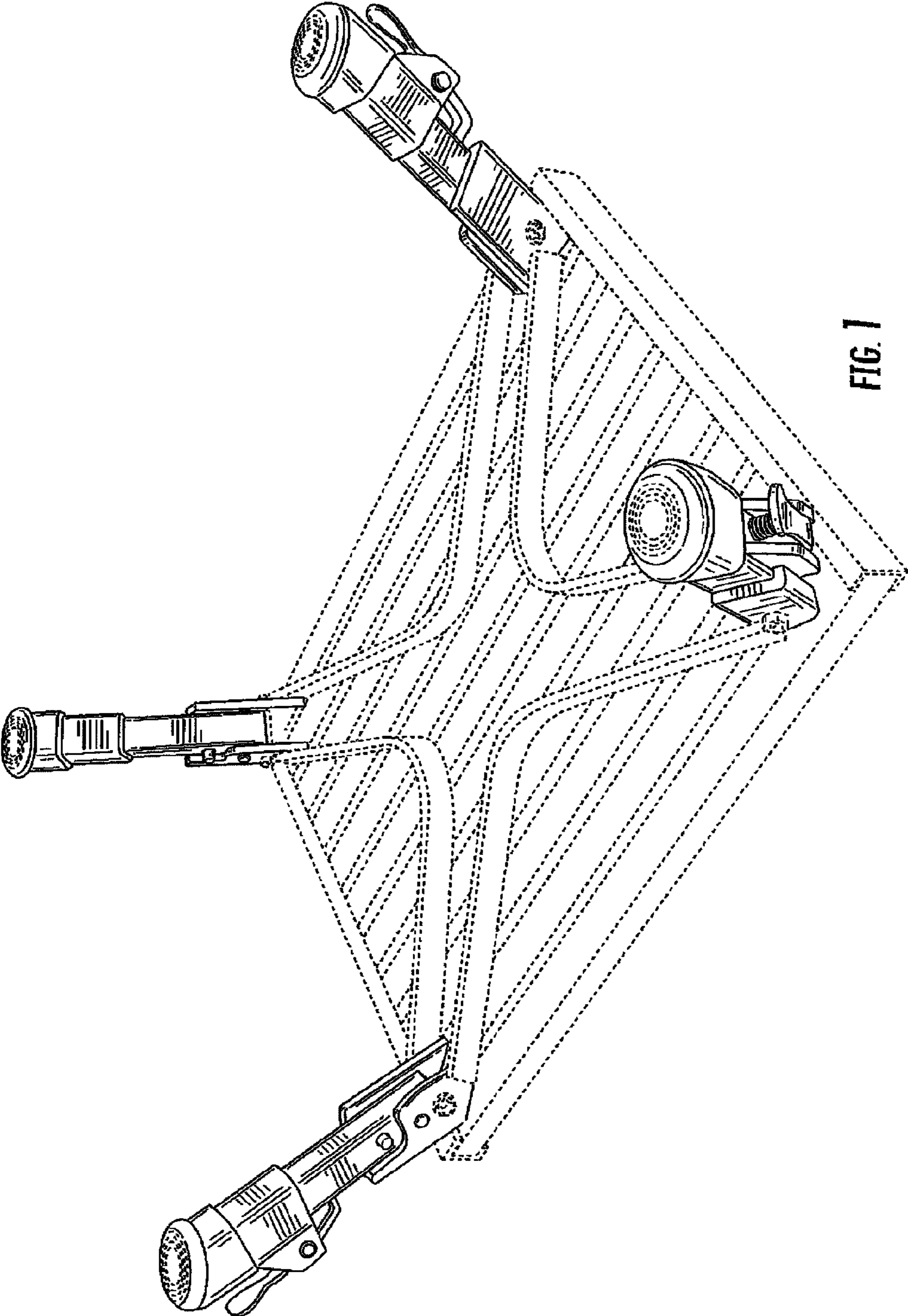


FIG. 1

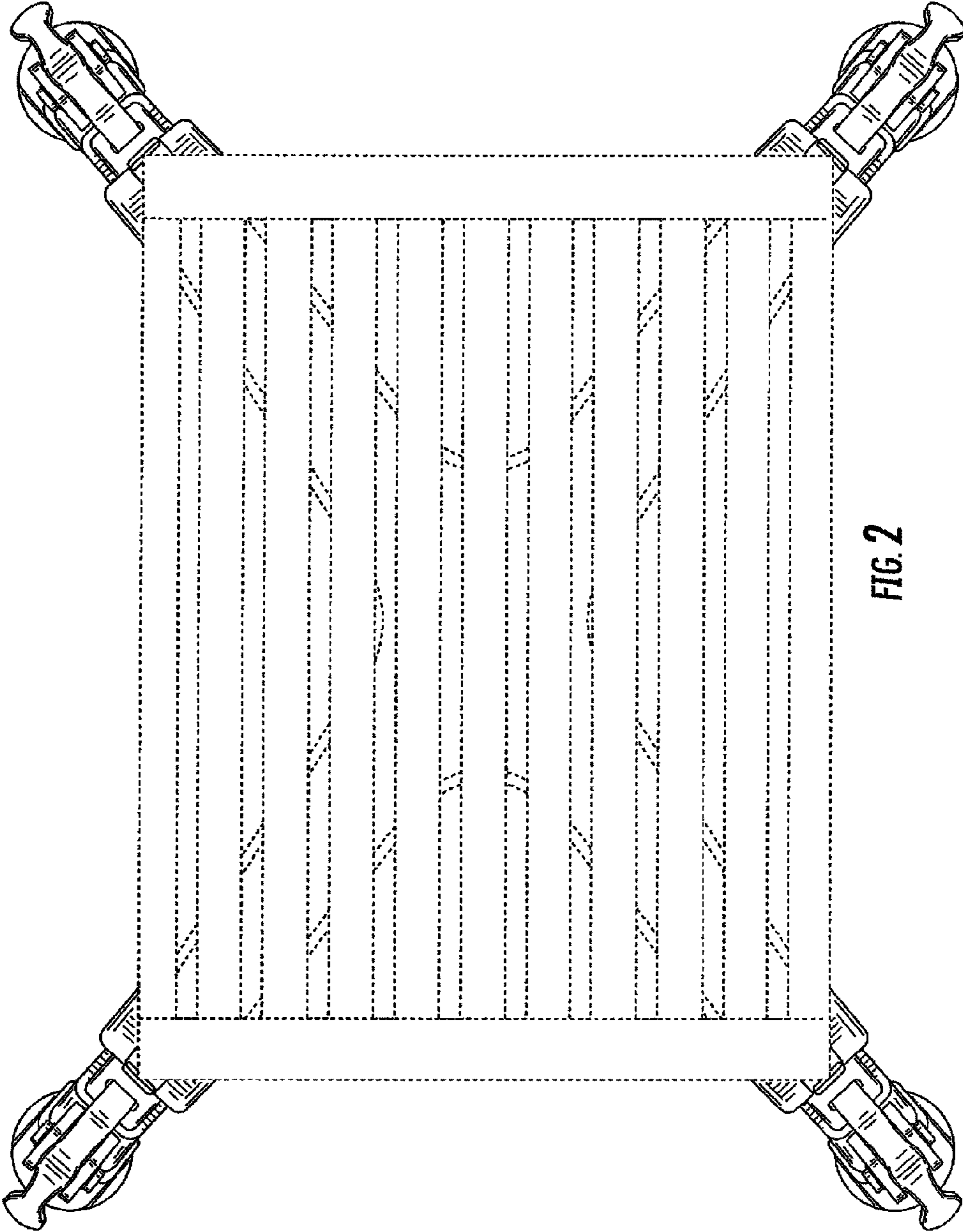


FIG. 2

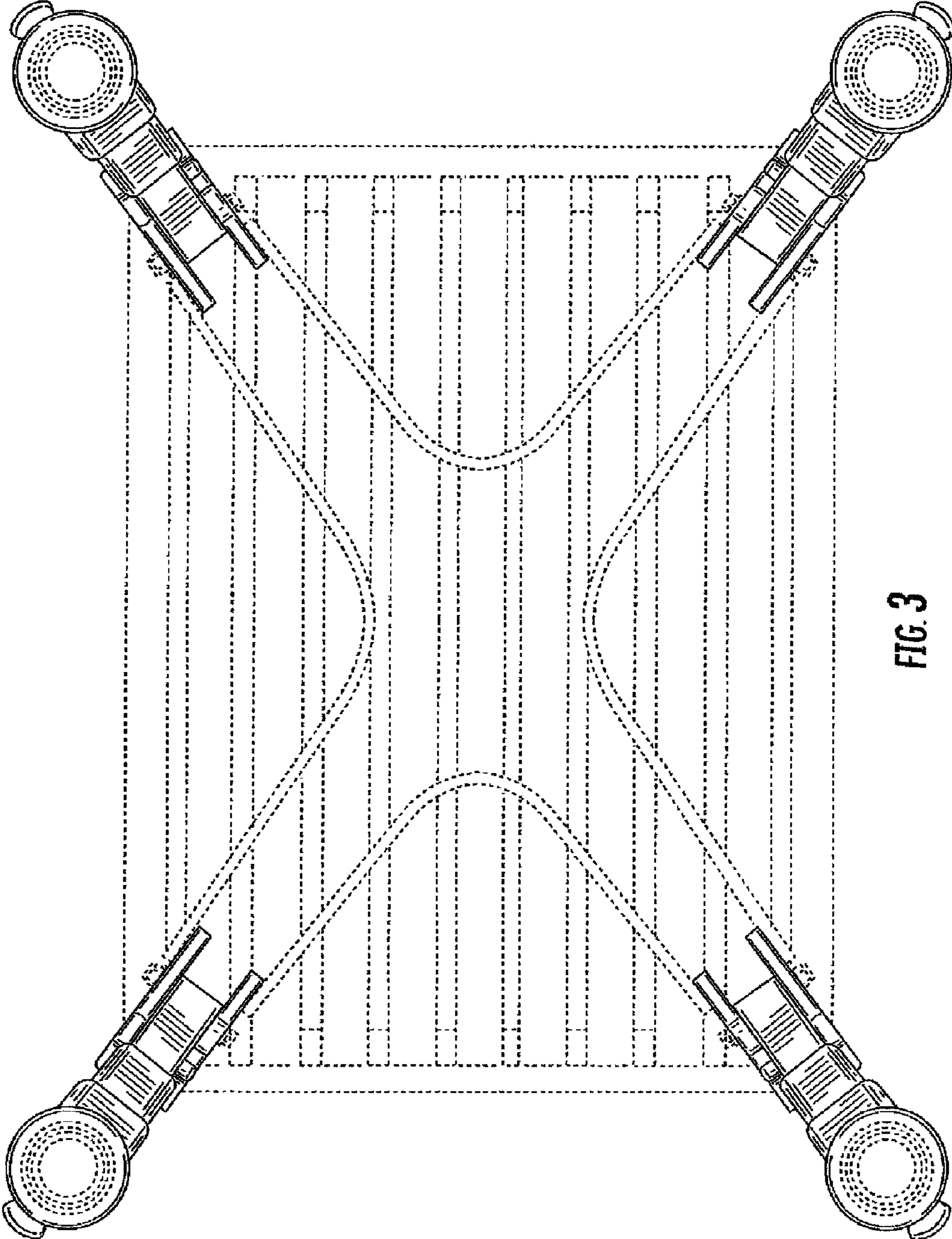


FIG. 3

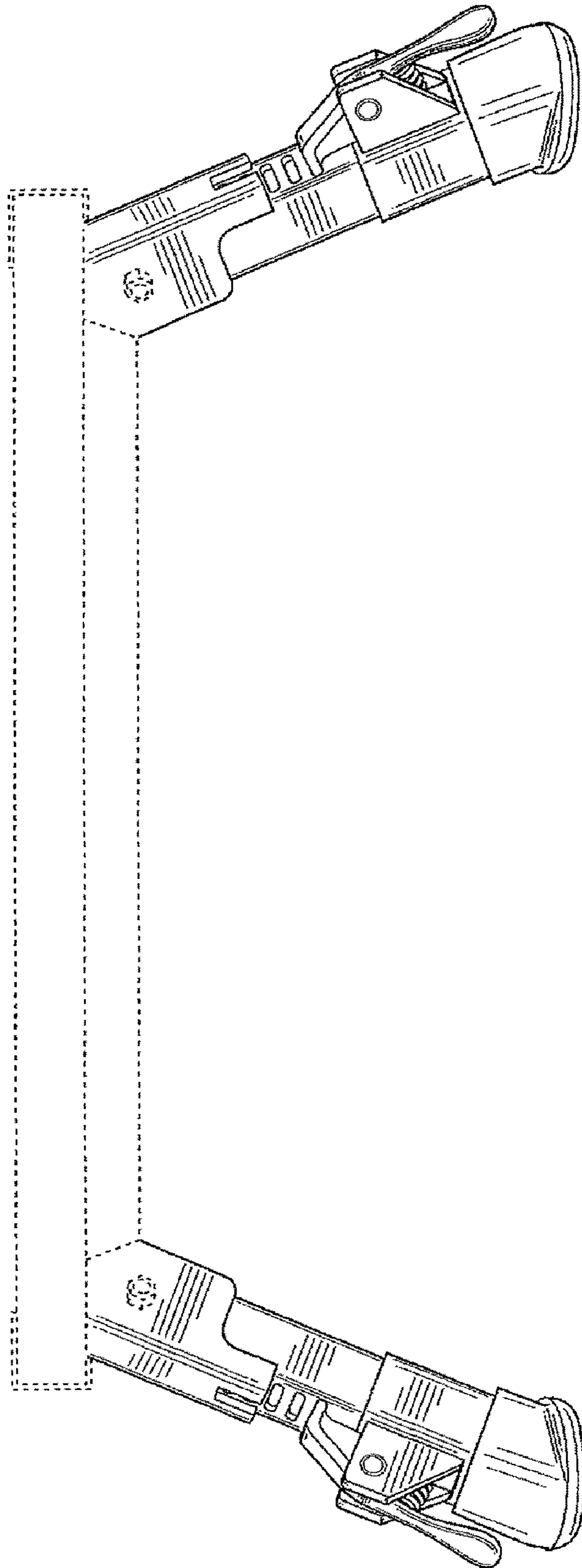


FIG. 4

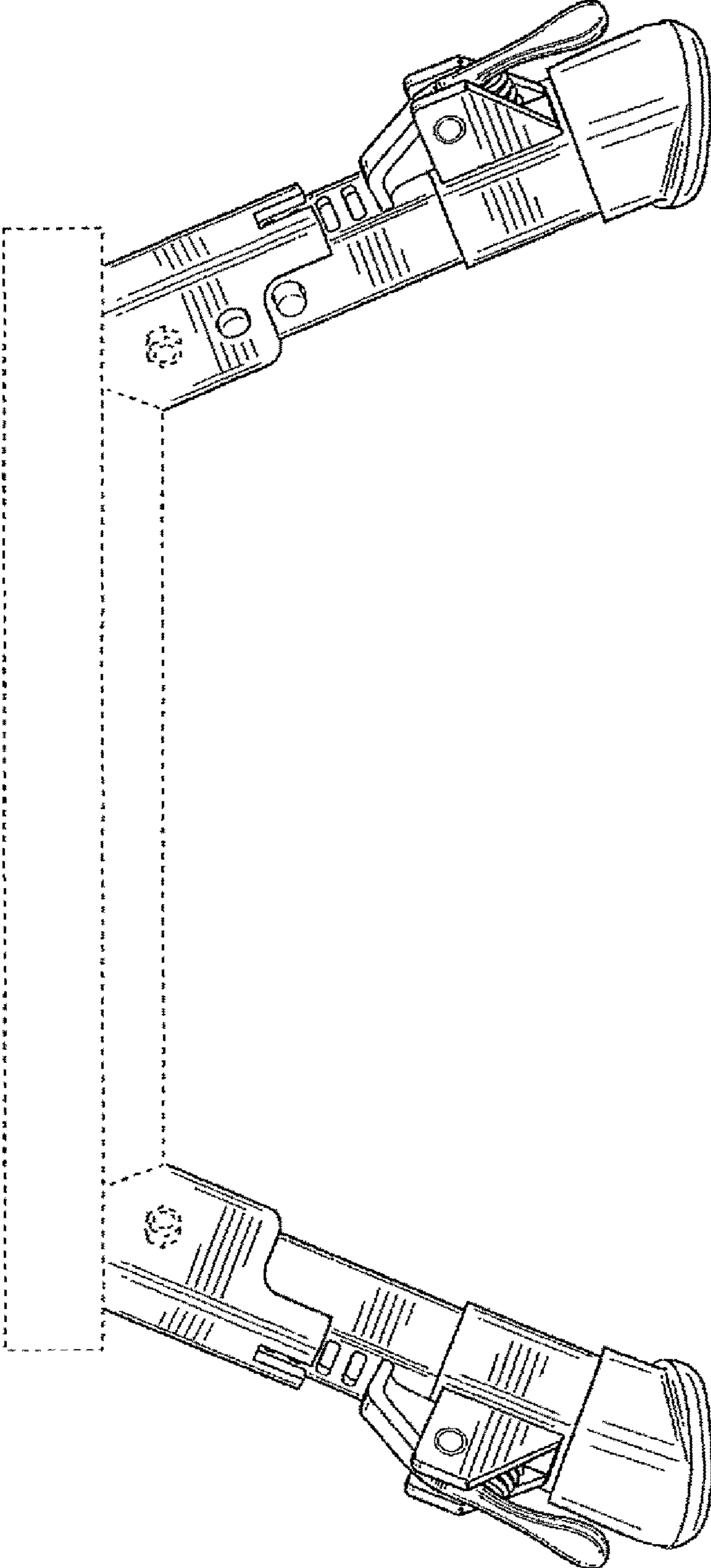


FIG. 5

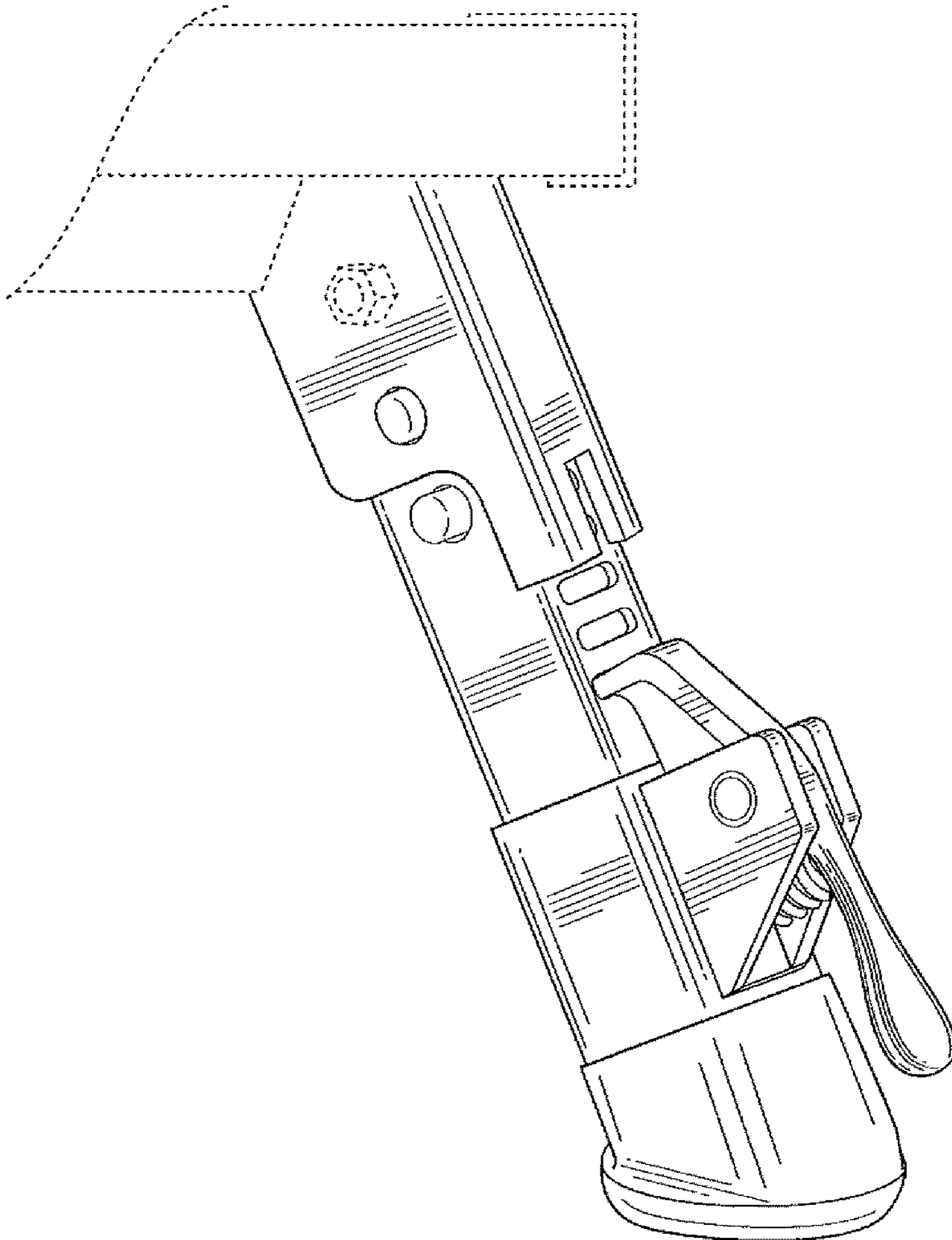


FIG. 6

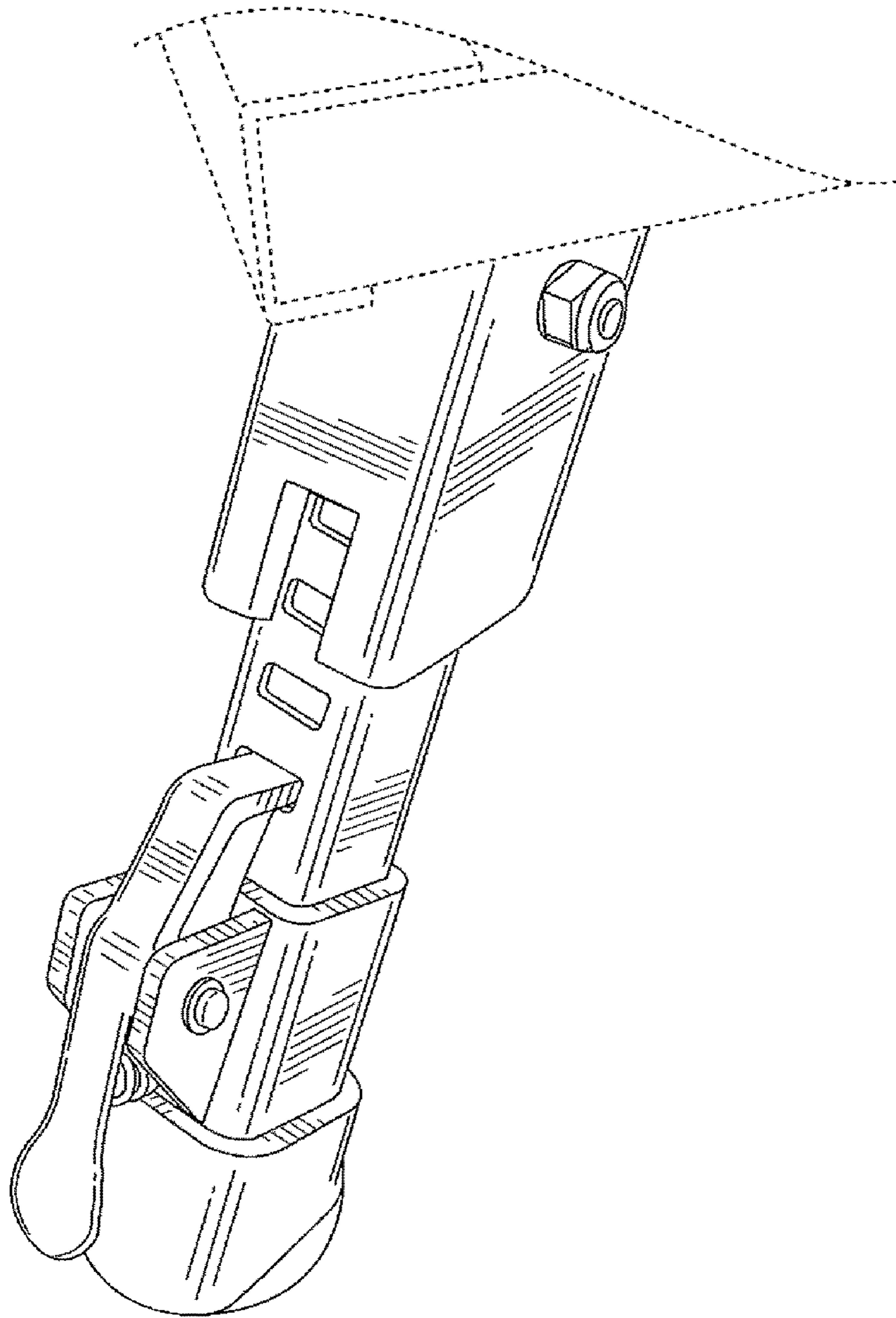


FIG. 7