



US00D645278S

(12) **United States Design Patent**
Kotz et al.

(10) **Patent No.:** **US D645,278 S**

(45) **Date of Patent:** **** Sep. 20, 2011**

(54) **SHELVING UNIT**

(75) Inventors: **Jeff Kotz**, Cary, IL (US); **Snehal Madhavrao Wagh**, Nasik, IN (US)

(73) Assignee: **Knaack LLC**, Crystal Lake, IL (US)

(**) Term: **14 Years**

(21) Appl. No.: **29/391,274**

(22) Filed: **May 5, 2011**

(51) **LOC (9) Cl.** **06-06**

(52) **U.S. Cl.** **D6/492**

(58) **Field of Classification Search** D6/396-397,
D6/449, 461-462, 465, 467, 474, 476-479,
D6/492, 499, 509, 511, 574; 211/90.01,
211/90.04, 94.01, 94.02, 166, 207; 108/59-61,
108/92, 95, 106-107, 147.11

See application file for complete search history.

(56) **References Cited**

U.S. PATENT DOCUMENTS

3,268,089	A *	8/1966	Hall	211/153
D368,397	S *	4/1996	Weberg	D6/479
5,628,256	A *	5/1997	Lazarus	108/110
D425,732	S *	5/2000	Grosfillex	D6/479
D429,582	S *	8/2000	Grosfillex	D6/479
6,726,038	B2 *	4/2004	Ko	211/153
D494,778	S *	8/2004	Vosbikian	D6/467

D498,951	S *	11/2004	Yamaguchi	D6/499
D607,667	S *	1/2010	Cayouette	D6/449
D611,743	S *	3/2010	Mitten et al.	D6/511
D637,427	S *	5/2011	Troyner et al.	D6/511
D637,837	S *	5/2011	Kubota	D6/492

* cited by examiner

Primary Examiner — Elizabeth Albert

Assistant Examiner — Kelley Donnelly

(74) *Attorney, Agent, or Firm* — McDonnell Boehnen Hulbert & Berghoff LLP

(57) **CLAIM**

The ornamental design for a shelving unit, as shown and described.

DESCRIPTION

FIG. 1 is a perspective view of the shelving unit of the present design;

FIG. 2 is a front view thereof;

FIG. 3 is a rear view thereof;

FIG. 4 is a left side view thereof;

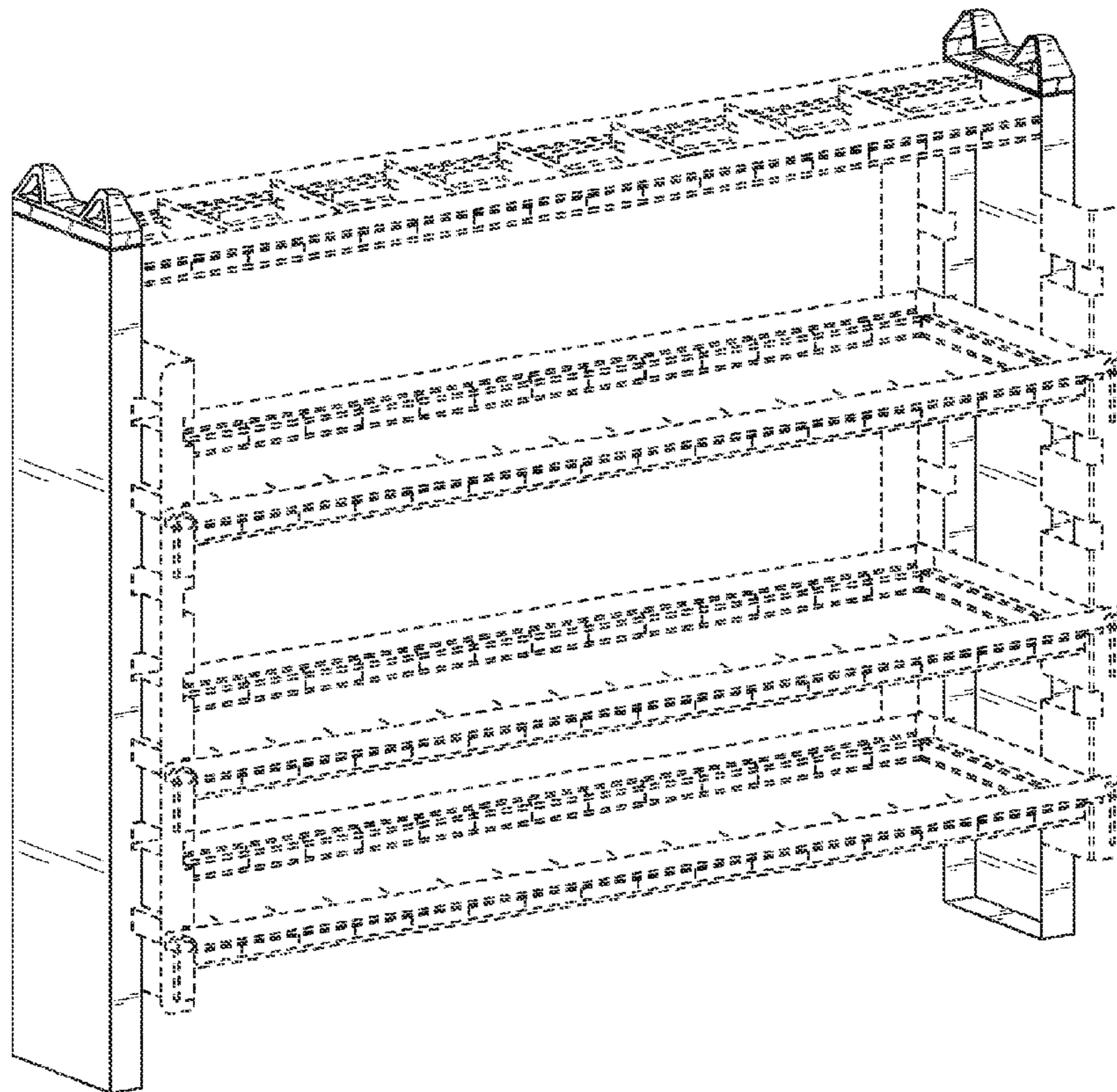
FIG. 5 is a right side view thereof;

FIG. 6 is a top view thereof; and,

FIG. 7 is a bottom view thereof.

The broken lines showing in FIGS. 1-7 are included for the purpose of illustrating environment and form no part of the claimed design.

1 Claim, 5 Drawing Sheets



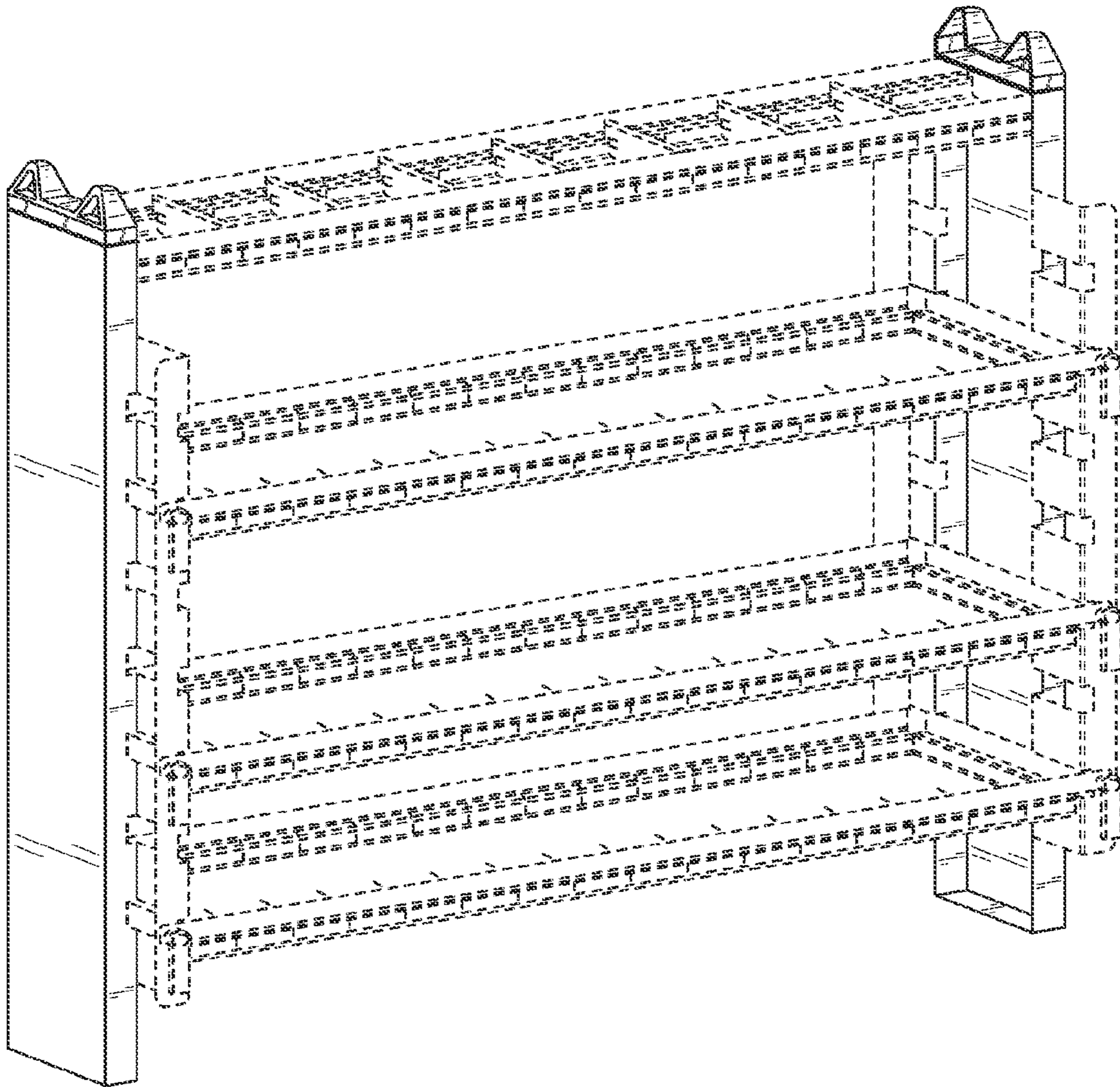


FIG. 1

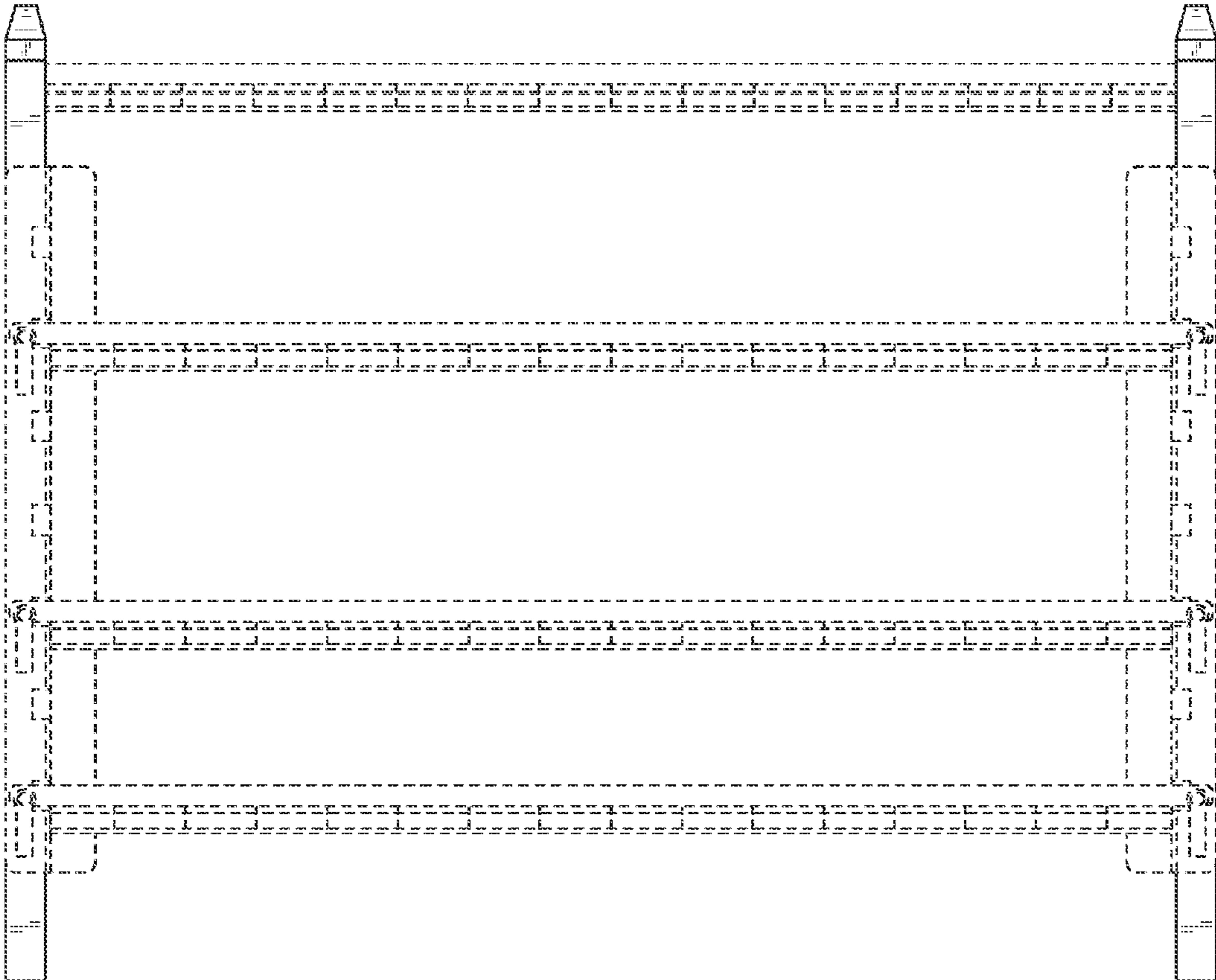


FIG. 2



FIG. 3

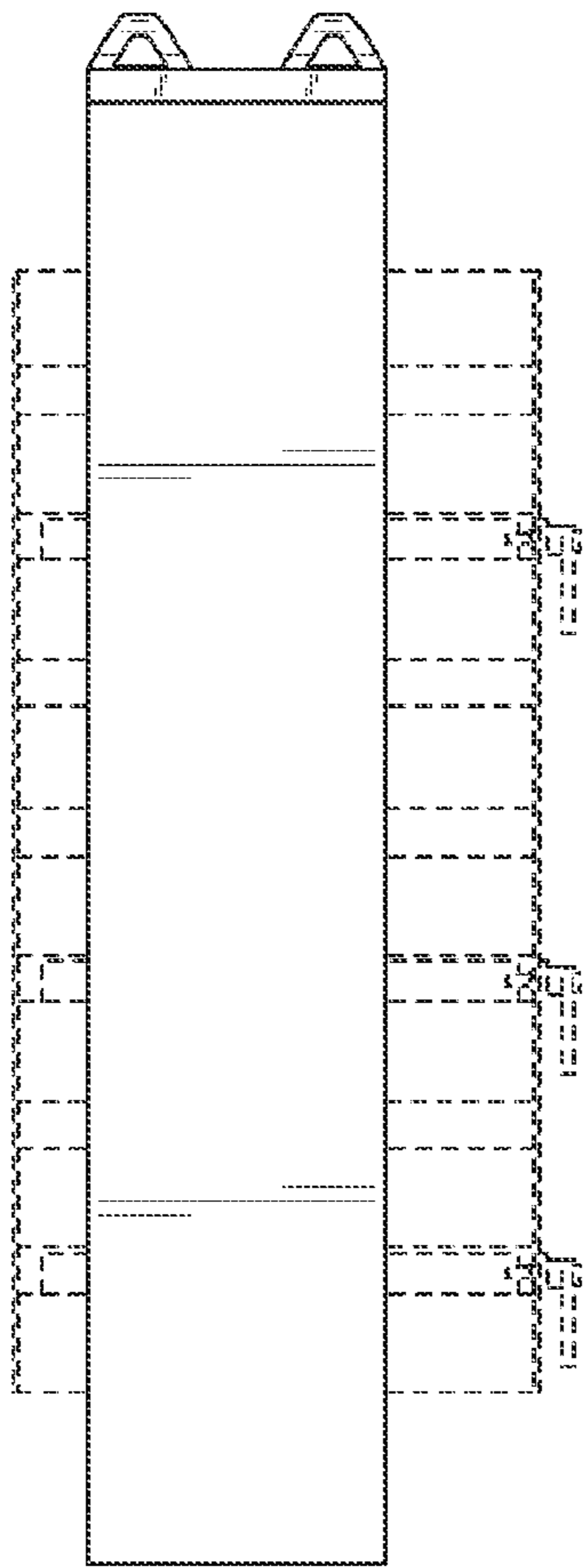


FIG. 4

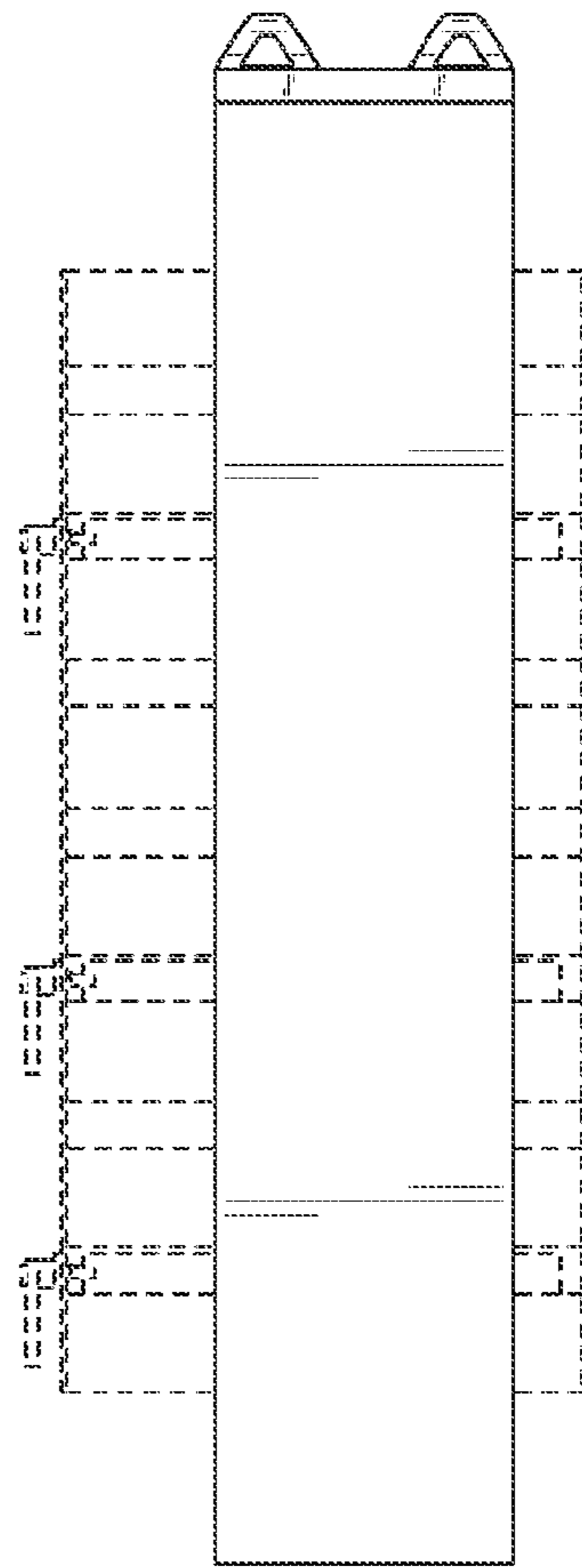


FIG. 5

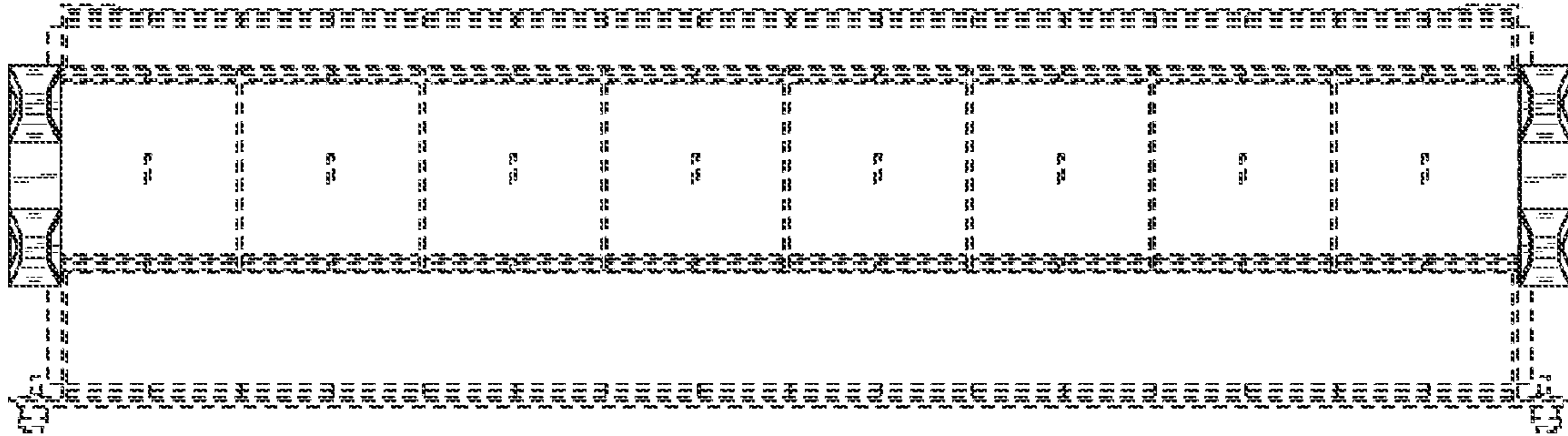


FIG. 6

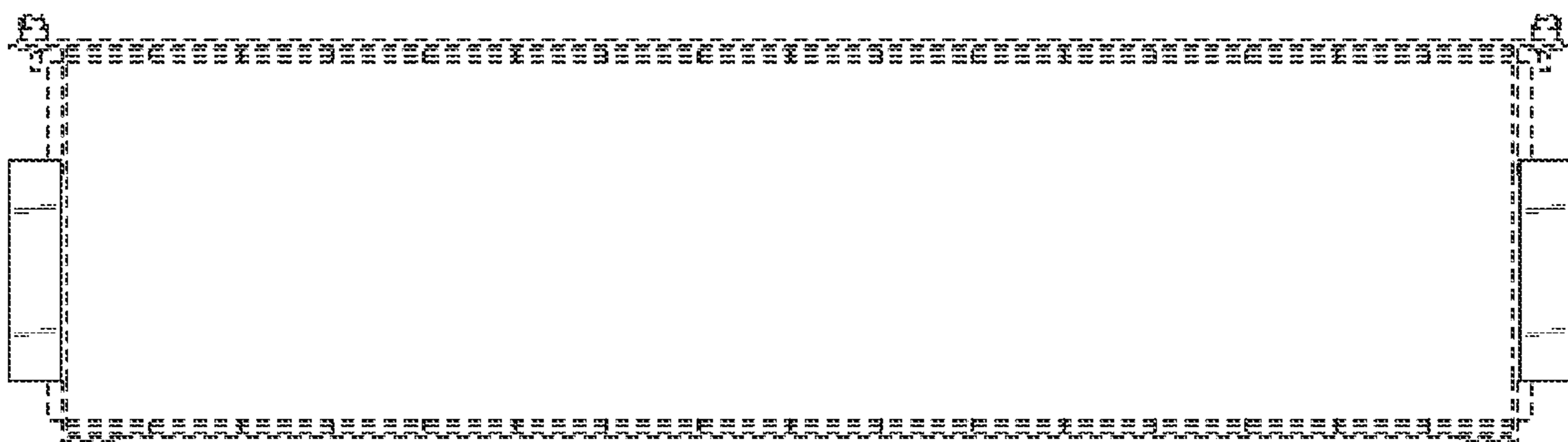


FIG. 7