



US00D645276S

(12) **United States Design Patent**
Goldstein et al.

(10) **Patent No.:** **US D645,276 S**

(45) **Date of Patent:** **** Sep. 20, 2011**

(54) **AUDIO VIDEO STAND**

(75) Inventors: **Jeffrey Evan Goldstein**, San Diego, CA
(US); **Shin Yamaguchi**, Tokyo (JP)

(73) Assignee: **Sony Corporation**, Tokyo (JP)

(**) Term: **14 Years**

(21) Appl. No.: **29/388,134**

(22) Filed: **Mar. 24, 2011**

(51) **LOC (9) Cl.** **06-06**

(52) **U.S. Cl.** **D6/477**

(58) **Field of Classification Search** D6/436,
D6/449, 466, 470, 477-479, 630; D14/126,
D14/133, 239; 211/41.14, 42-43, 133.1,
211/205; 312/7.1-7.2, 9.1, 111, 246.9, 249.8,
312/249.13

See application file for complete search history.

(56) **References Cited**

U.S. PATENT DOCUMENTS

D471,034 S * 3/2003 Bong et al. D6/479
D483,966 S * 12/2003 Forlenza et al. D6/474
D515,849 S * 2/2006 Niu D6/479
D529,317 S * 10/2006 Takatsuki et al. D6/479

D539,057 S * 3/2007 Senda et al. D6/477
D542,059 S * 5/2007 Moyle et al. D6/479
D571,779 S * 6/2008 Matsuoka D14/168
D612,634 S * 3/2010 Zambelli D6/477
D620,284 S * 7/2010 Zambelli D6/477
D636,617 S * 4/2011 Lara D6/479

* cited by examiner

Primary Examiner — Elizabeth Albert

Assistant Examiner — Kelley Donnelly

(74) *Attorney, Agent, or Firm* — John L. Rogitz

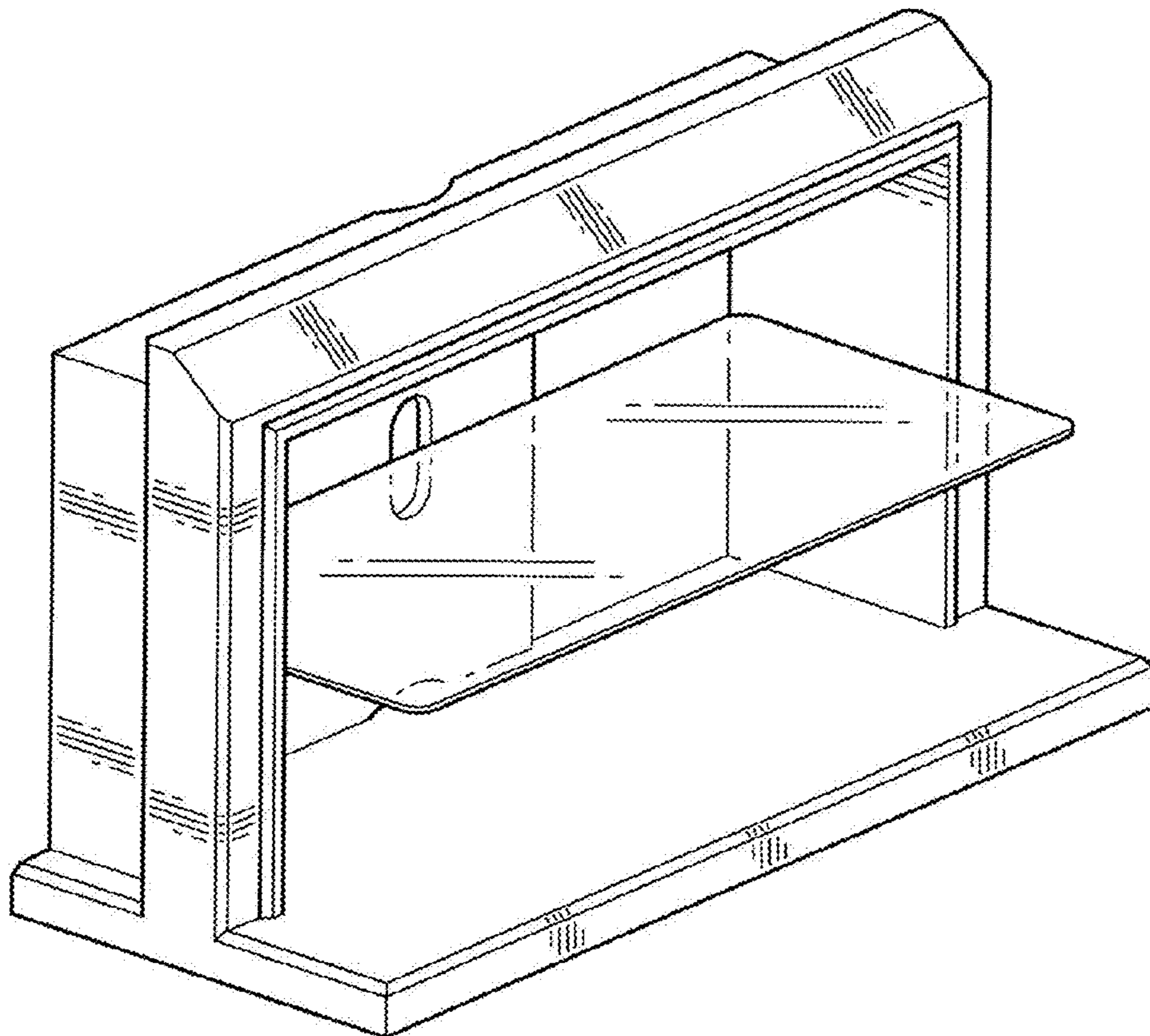
(57) **CLAIM**

The ornamental design for an audio video stand, as shown and described.

DESCRIPTION

FIG. 1 is a perspective view for an audio video stand showing my new design;
FIG. 2 is a front elevational view thereof;
FIG. 3 is a rear elevational view thereof
FIG. 4 is a left side elevational view thereof;
FIG. 5 is a right side elevational view thereof;
FIG. 6 is a top plan view thereof; and,
FIG. 7 is a bottom view thereof.

1 Claim, 3 Drawing Sheets



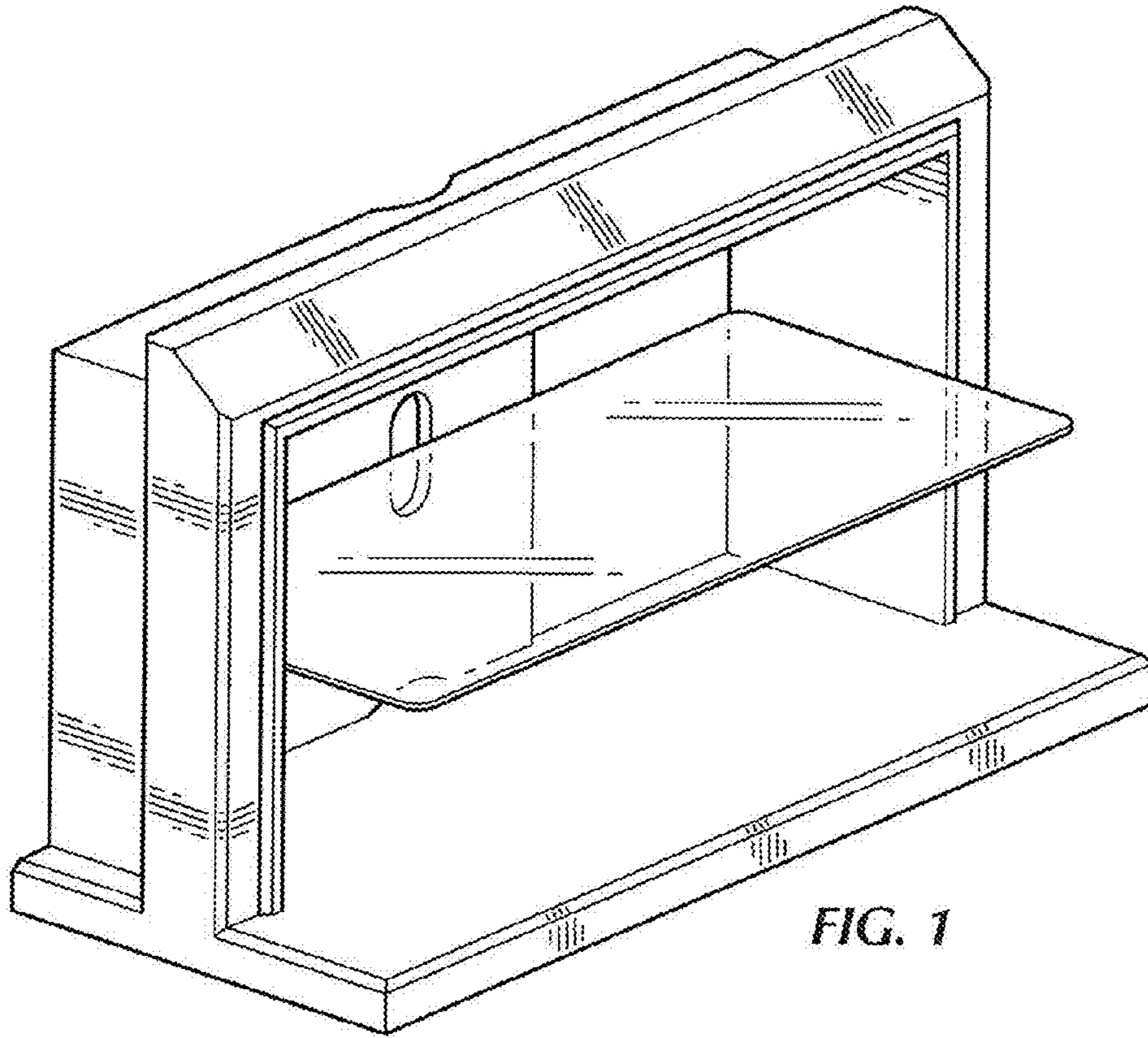


FIG. 1

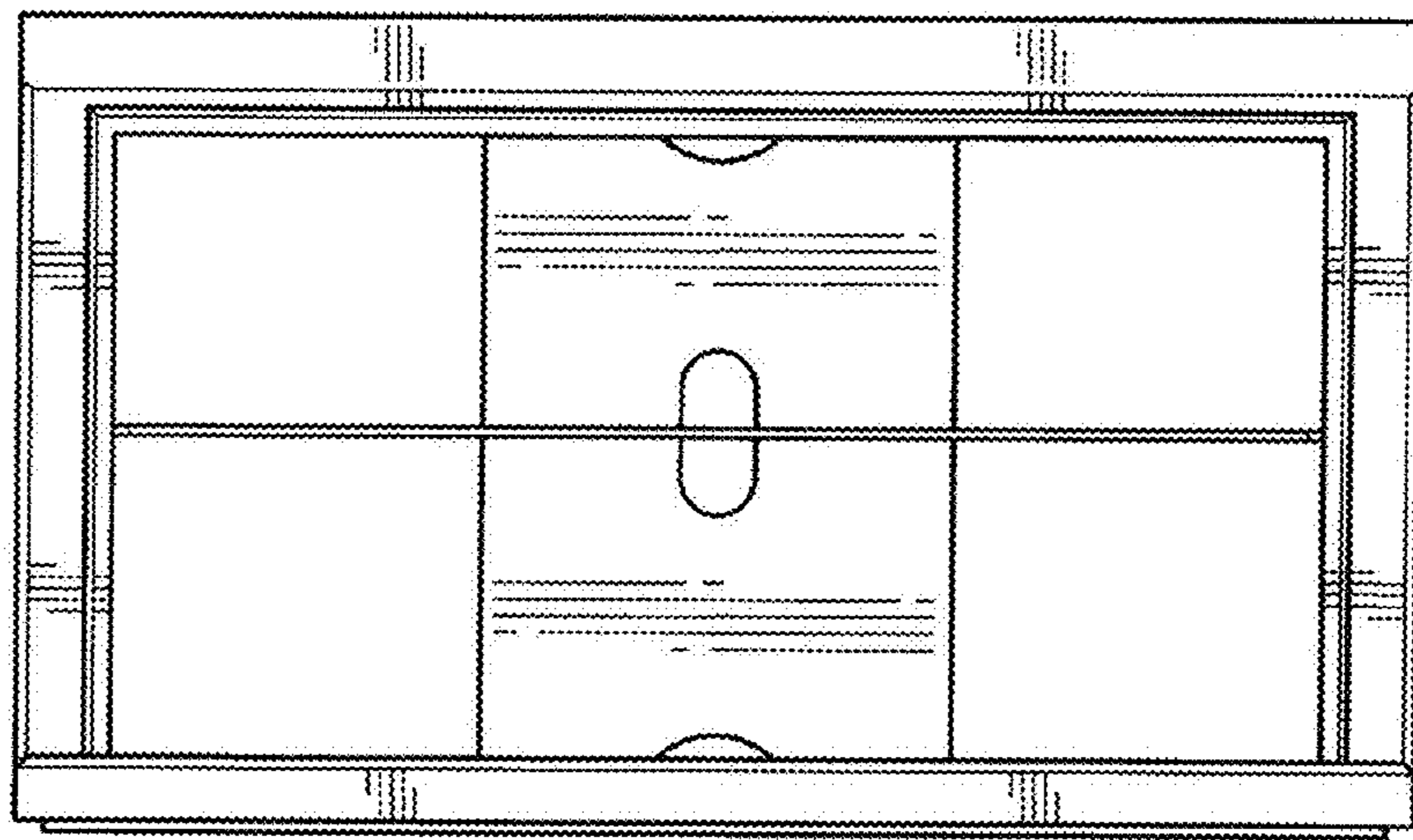


FIG. 2

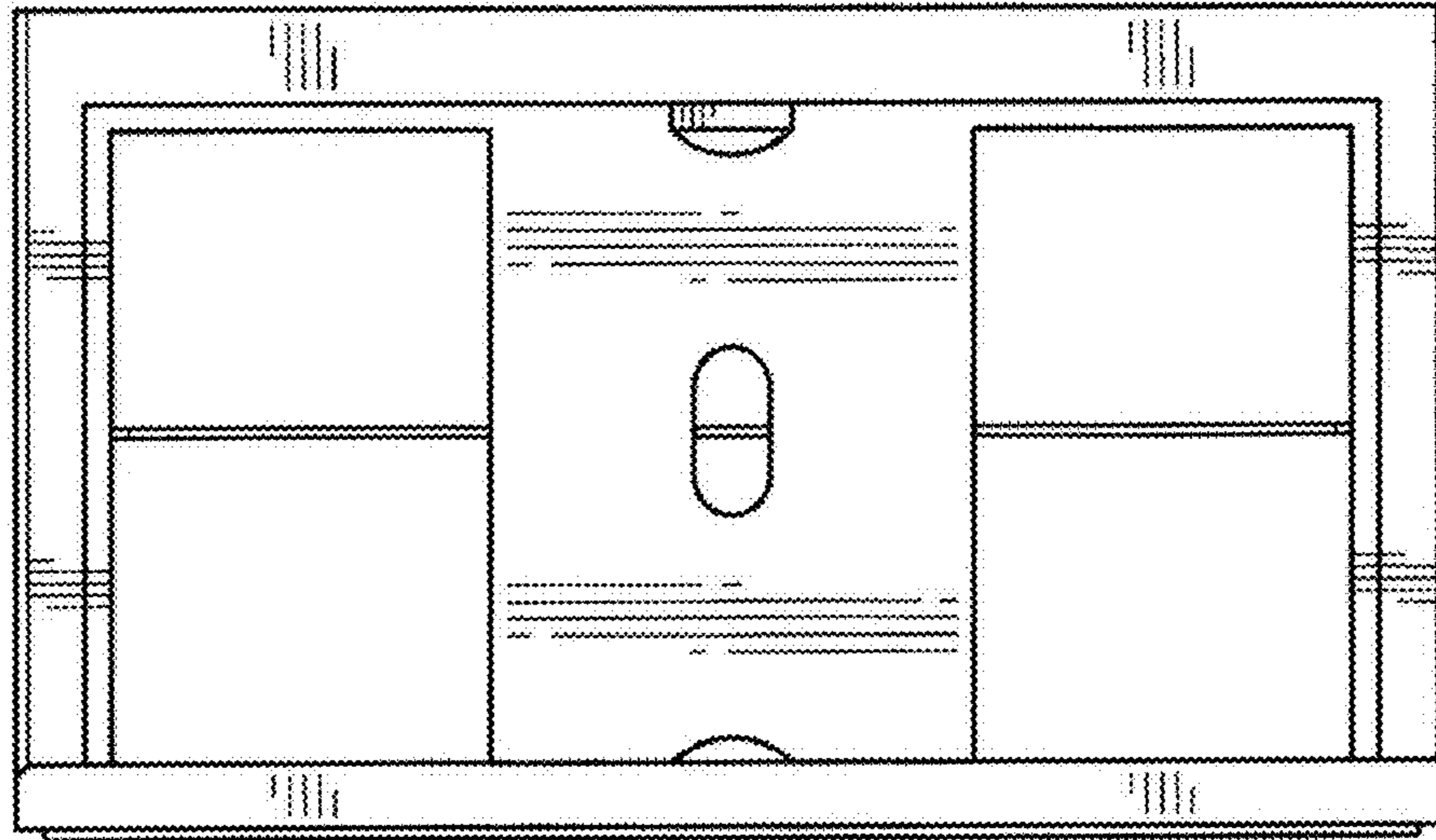


FIG. 3

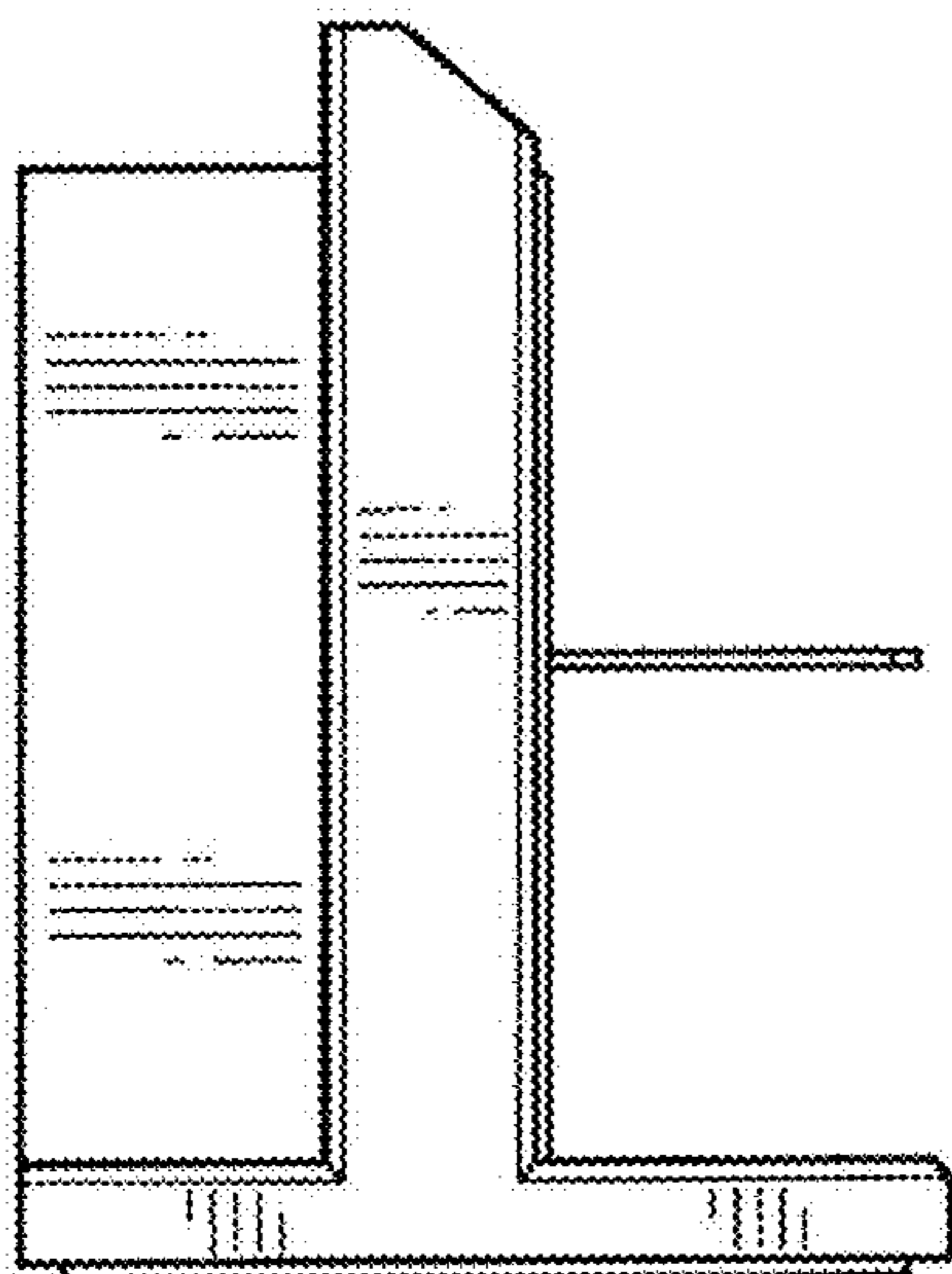


FIG. 4

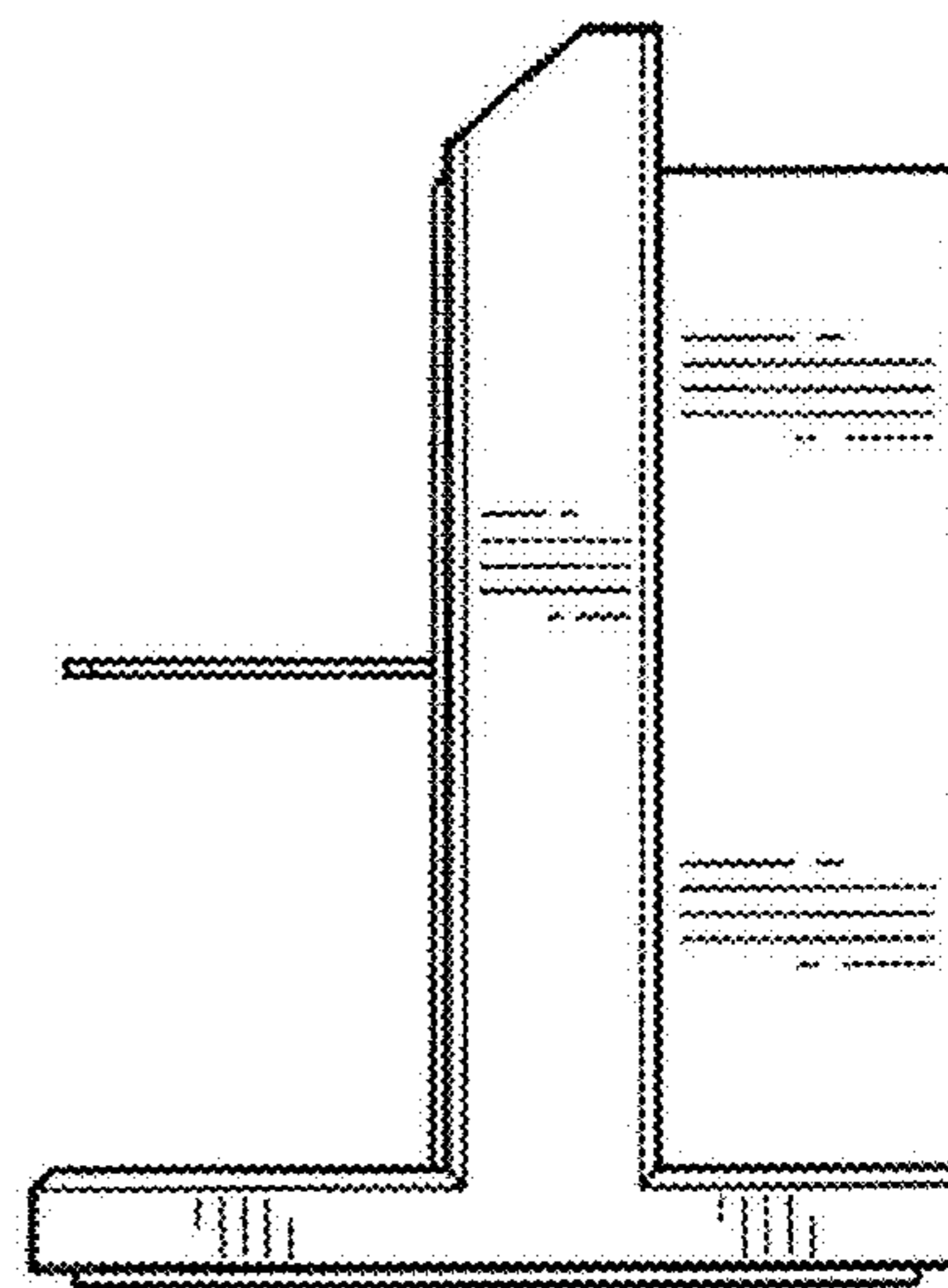


FIG. 5

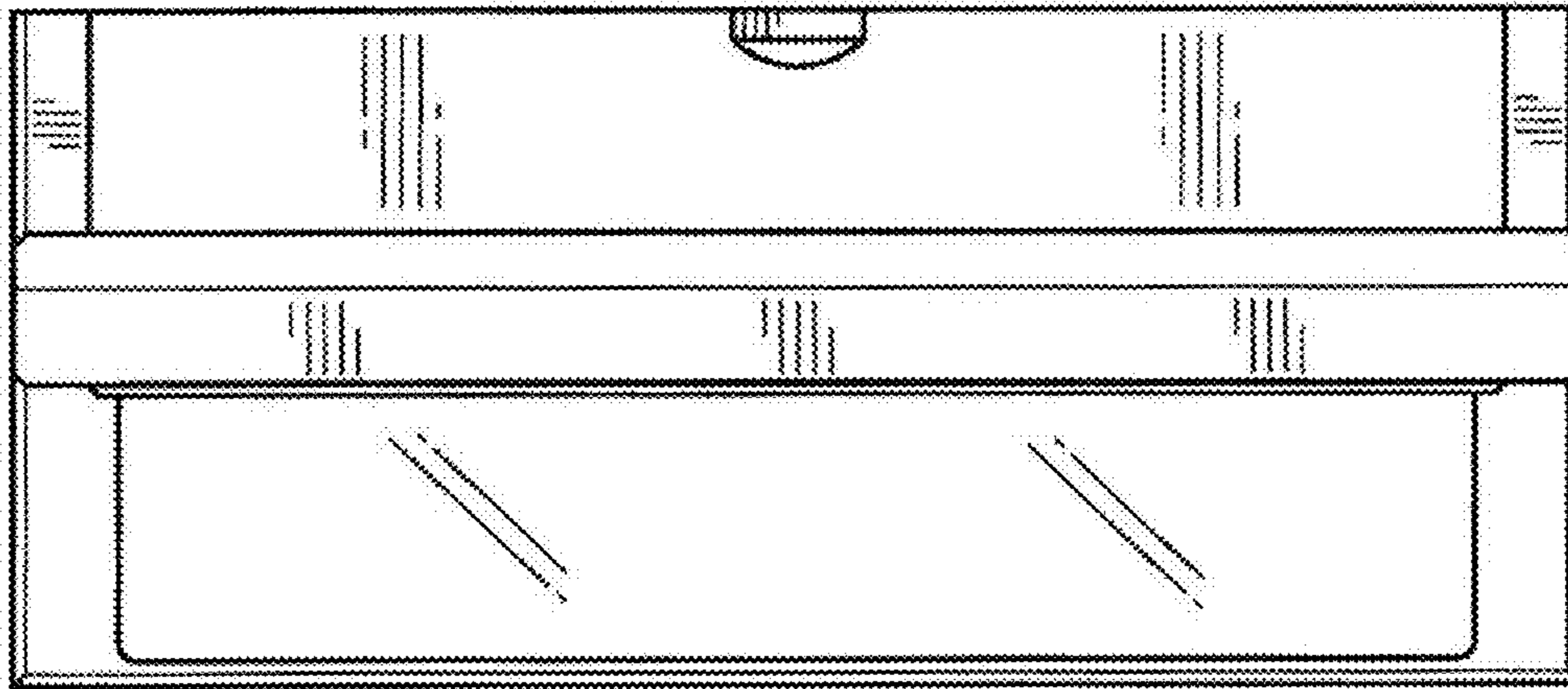


FIG. 6

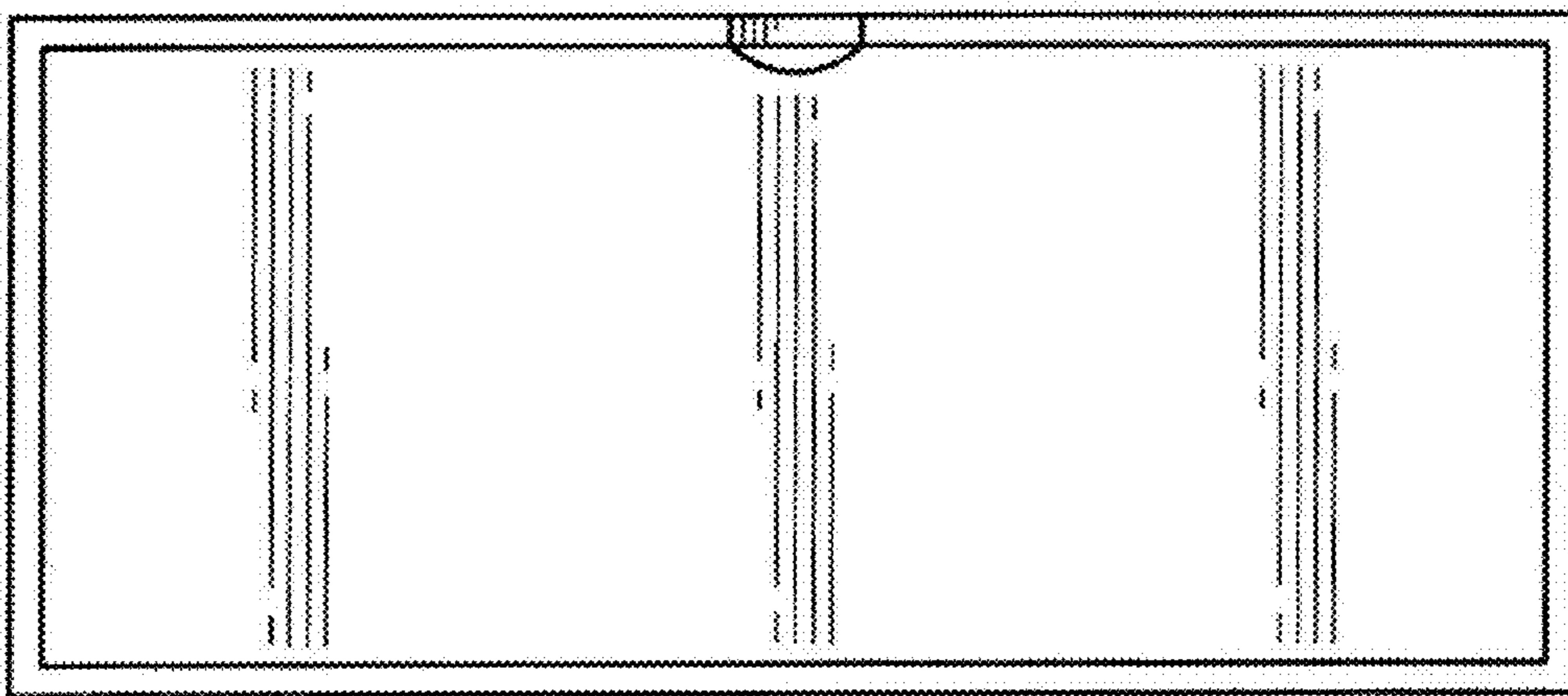


FIG. 7