



US00D645272S

(12) **United States Design Patent**
Lissoni

(10) **Patent No.:** **US D645,272 S**

(45) **Date of Patent:** **** Sep. 20, 2011**

(54) **CHAIR**

(75) Inventor: **Piero Lissoni**, Milan (IT)

(73) Assignee: **Kartell S.p.A.** (IT)

(**) Term: **14 Years**

(21) Appl. No.: **29/359,585**

(22) Filed: **Apr. 13, 2010**

(51) **LOC (9) Cl.** **06-01**

(52) **U.S. Cl.** **D6/376; D6/379; D6/380**

(58) **Field of Classification Search** D6/334-336,
D6/369, 370, 374, 375, 376, 379, 380, 500-502;
297/411.28, 445.1, 446.1, 452.46, 452.64
See application file for complete search history.

(56) **References Cited**

U.S. PATENT DOCUMENTS

D390,028 S *	2/1998	Caldwell	D6/376
D420,828 S *	2/2000	Bertoni	D6/380
D449,459 S *	10/2001	Diez Mintegi	D6/374
D458,468 S *	6/2002	Levrangi	D6/376
D464,494 S *	10/2002	Gasca Burges	D6/374
D485,084 S *	1/2004	Bales	D6/379
D513,134 S *	12/2005	Asano et al.	D6/380
D557,031 S *	12/2007	Marin	D6/376
D558,477 S *	1/2008	Nardi	D6/376

D572,049 S * 7/2008 Kerr D6/500
* cited by examiner

Primary Examiner — Mimoso De

(74) *Attorney, Agent, or Firm* — Cantor Colburn LLP

(57) **CLAIM**

I claim, the ornamental design for a chair, as shown and described.

DESCRIPTION

FIG. 1 is a front perspective view of a chair, showing my new design;

FIG. 2 is a front elevation view thereof;

FIG. 3 is a rear elevation view thereof;

FIG. 4 is a side elevation view thereof taken from the right of FIG. 2, the opposite side view being a mirror image hereof;

FIG. 5 is a top plan view thereof;

FIG. 6 is a front perspective view of another embodiment thereof;

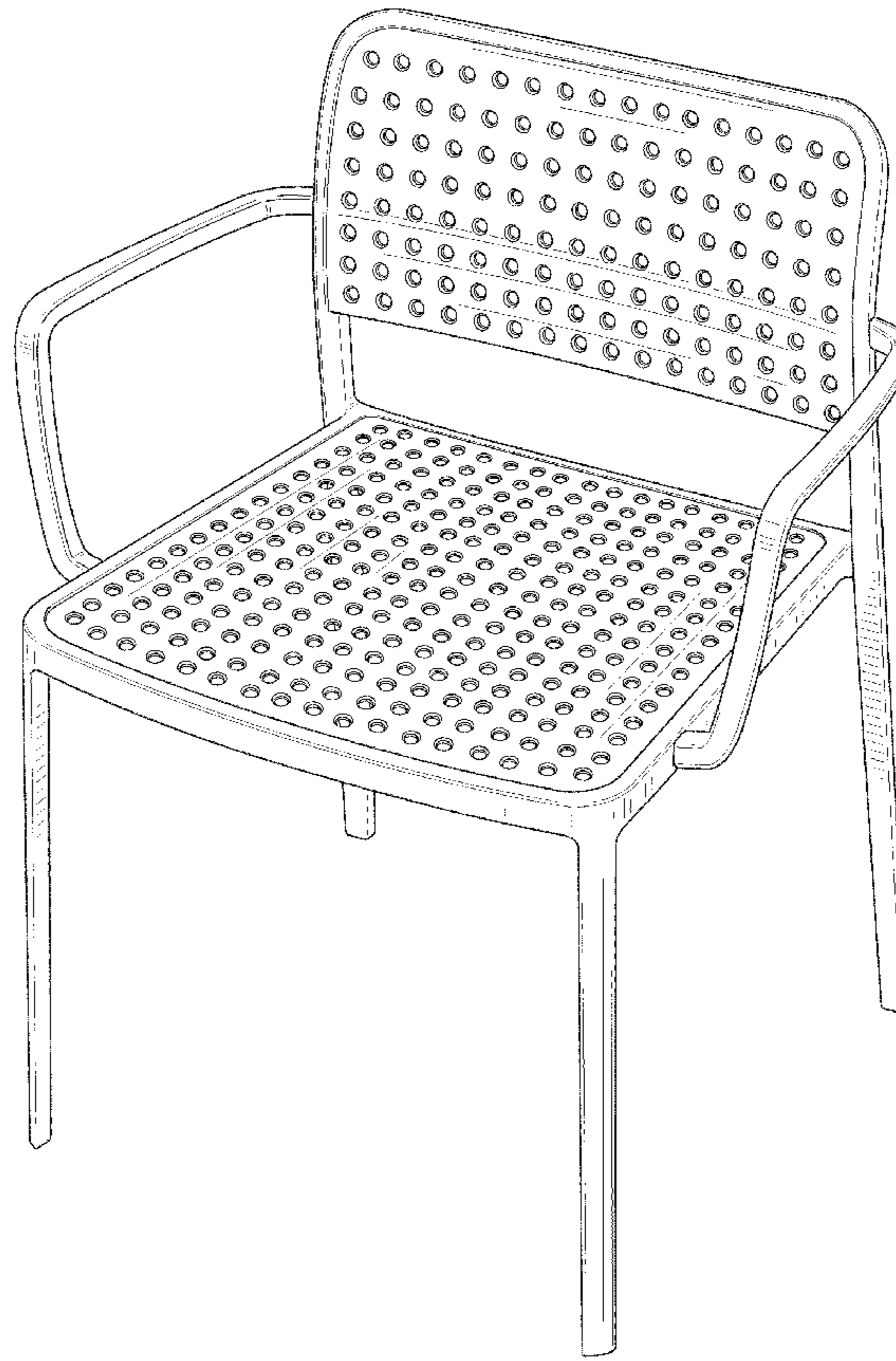
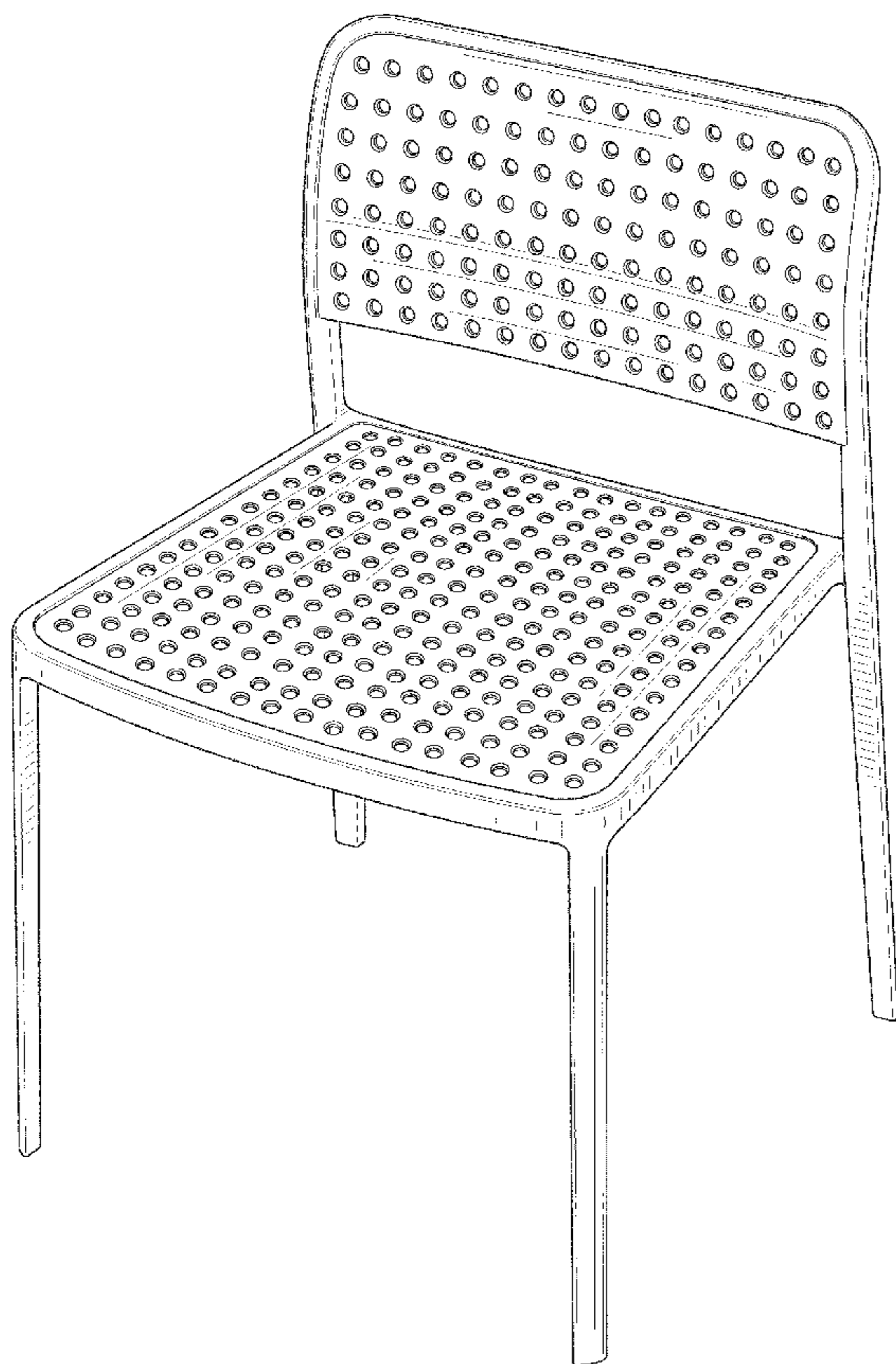
FIG. 7 is a front elevation view thereof;

FIG. 8 is a rear elevation view thereof;

FIG. 9 is a side elevation view thereof taken from the right of FIG. 7, the opposite side view being a mirror image hereof; and,

FIG. 10 is a top view thereof.

1 Claim, 10 Drawing Sheets



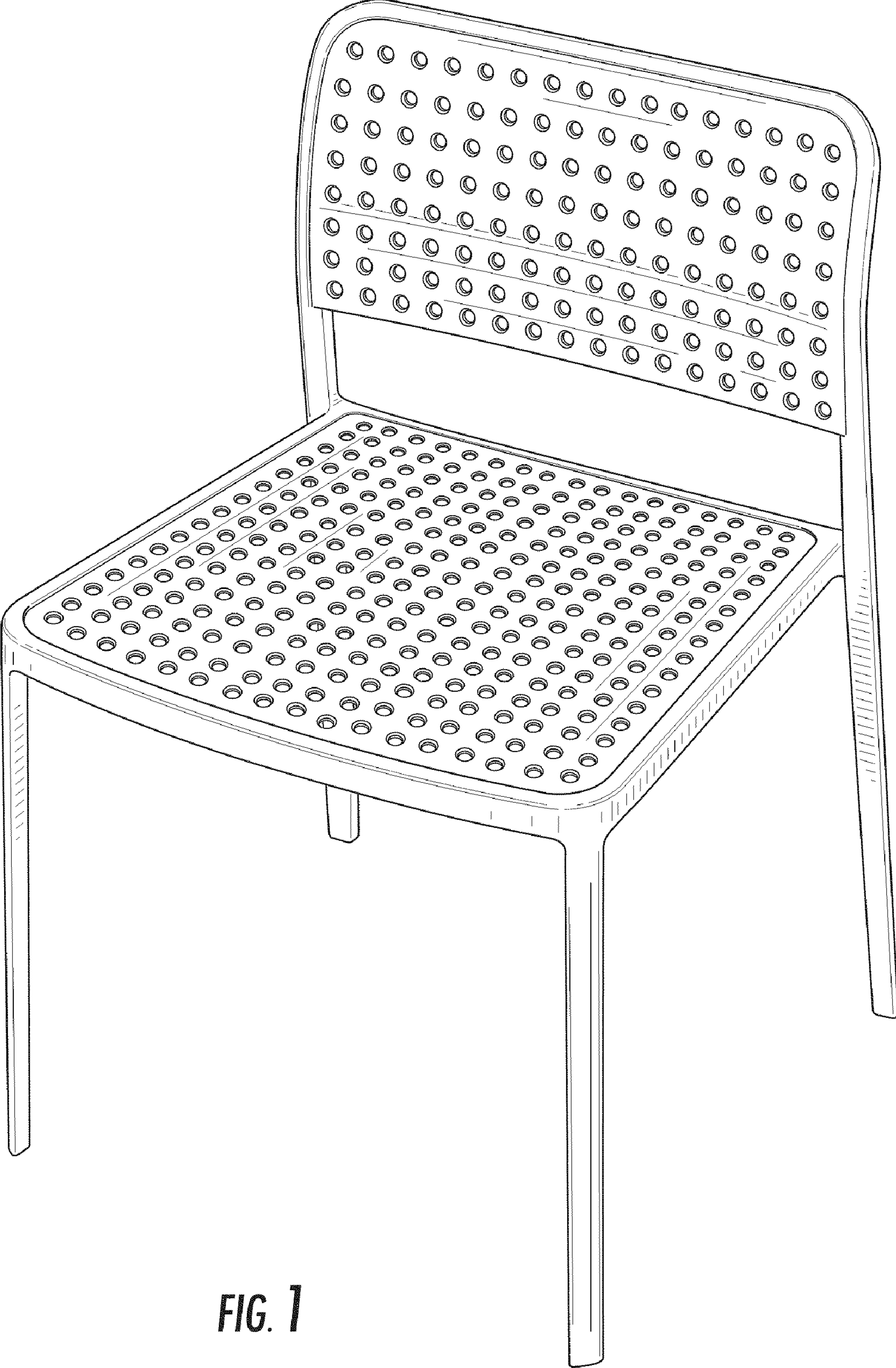


FIG. 1

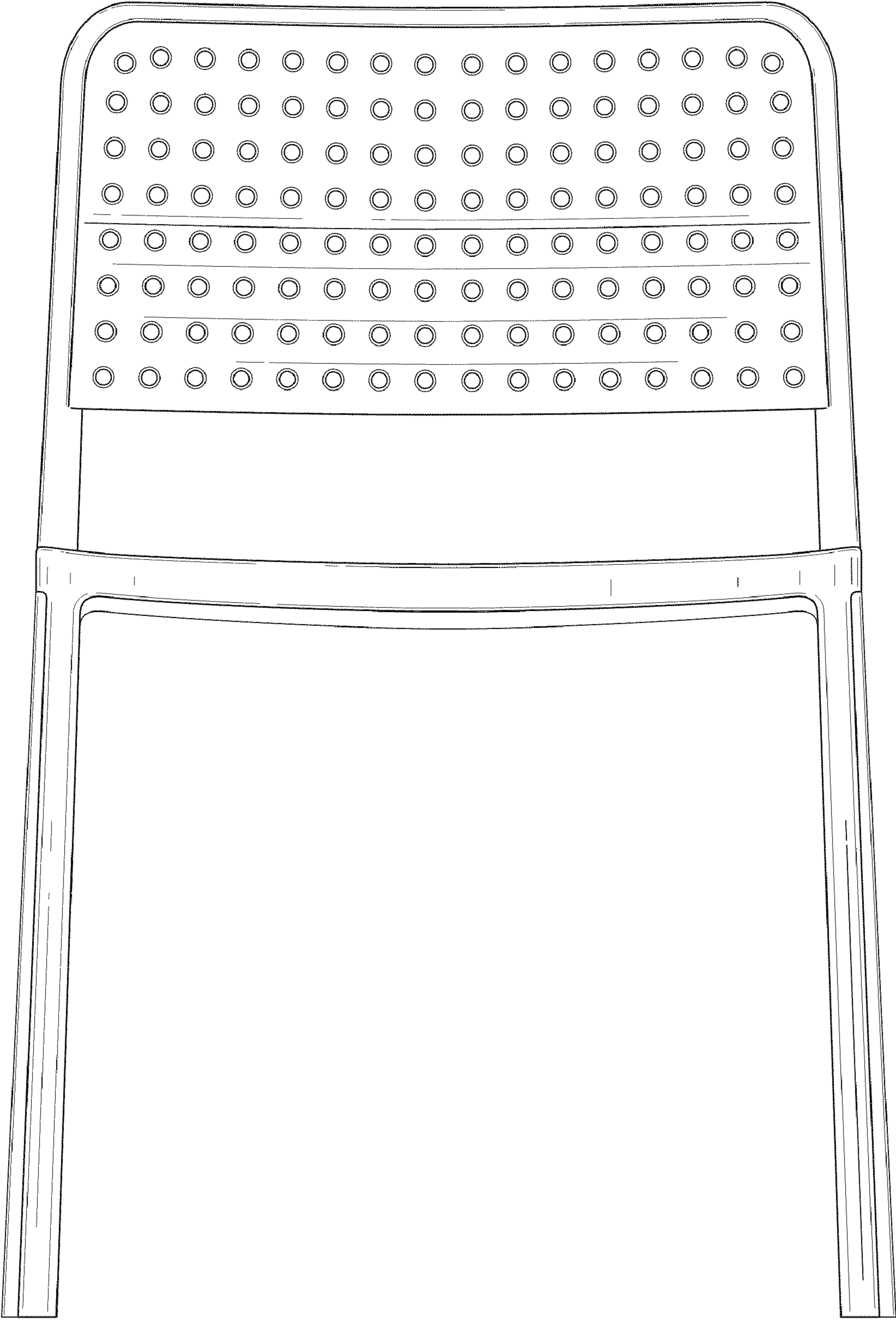


FIG. 2

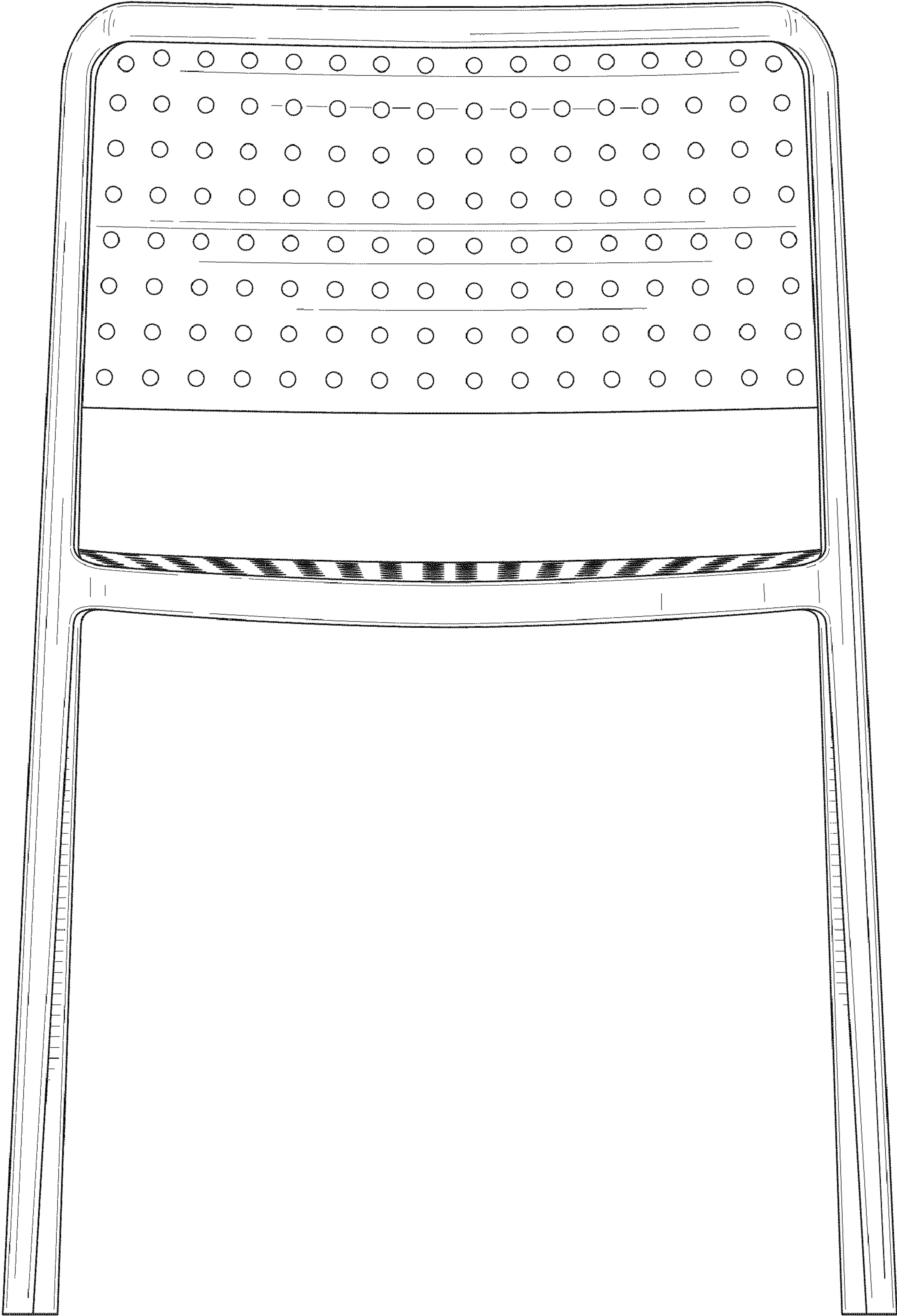


FIG. 3

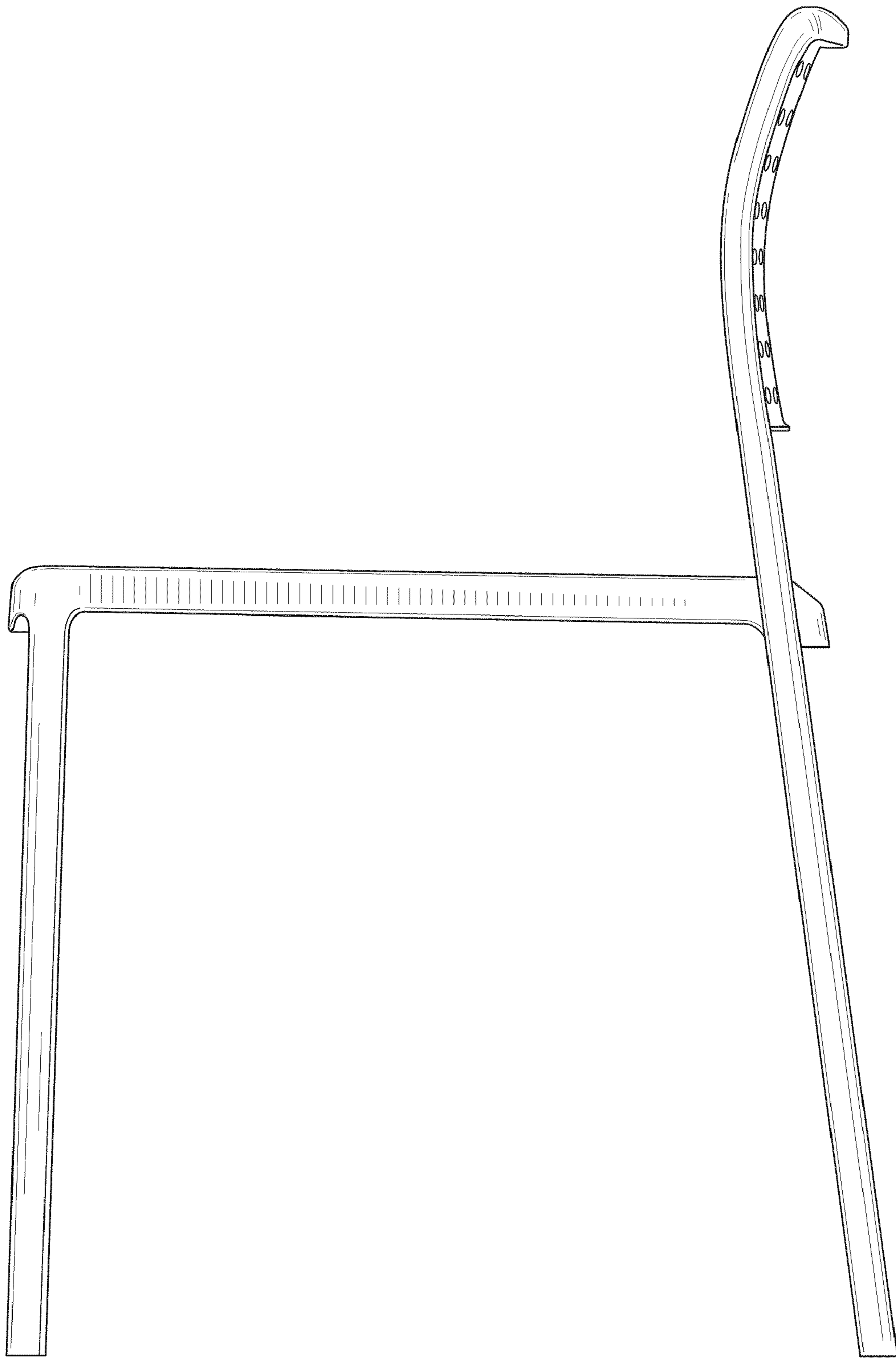


FIG. 4

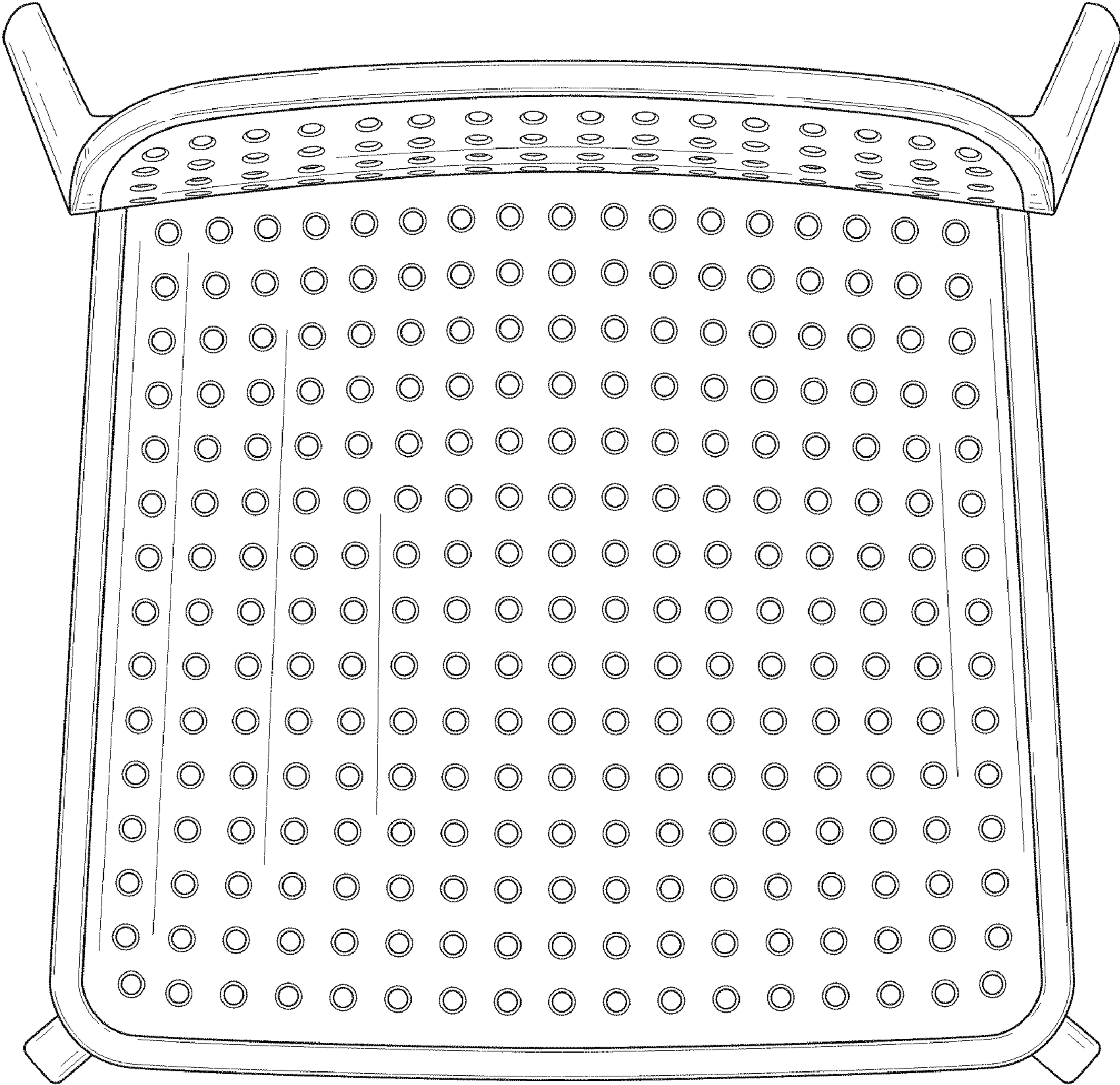


FIG. 5

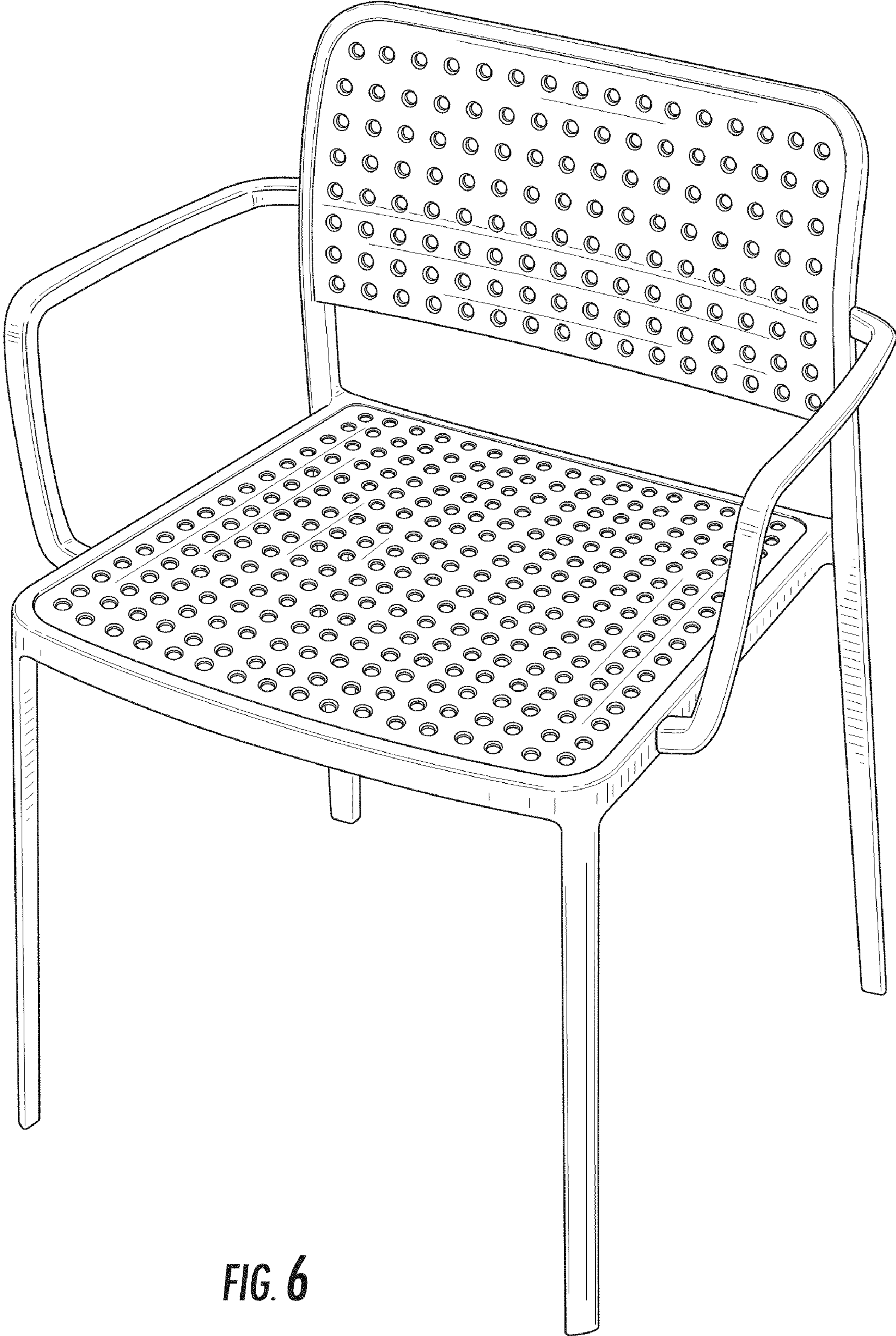


FIG. 6

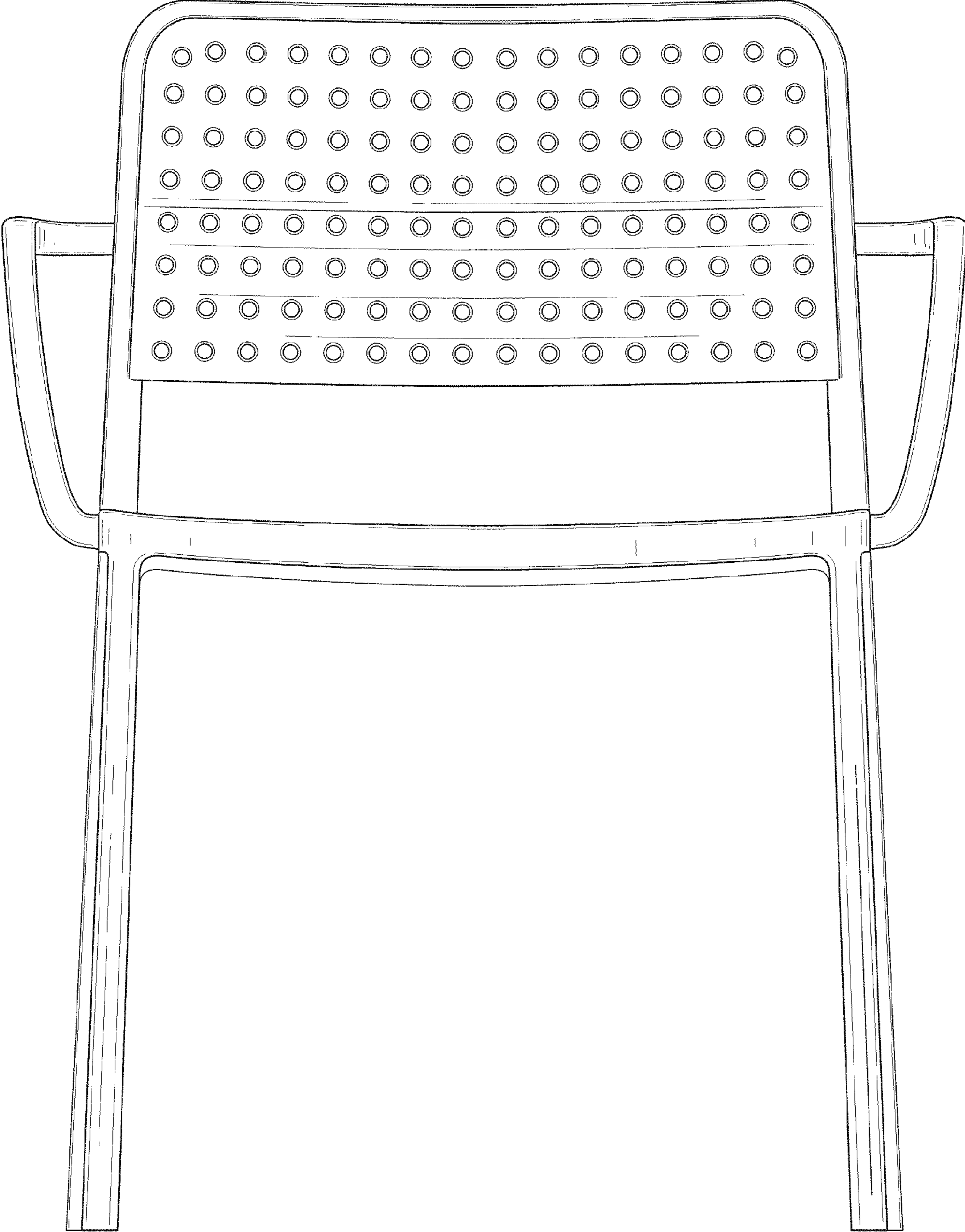


FIG. 7

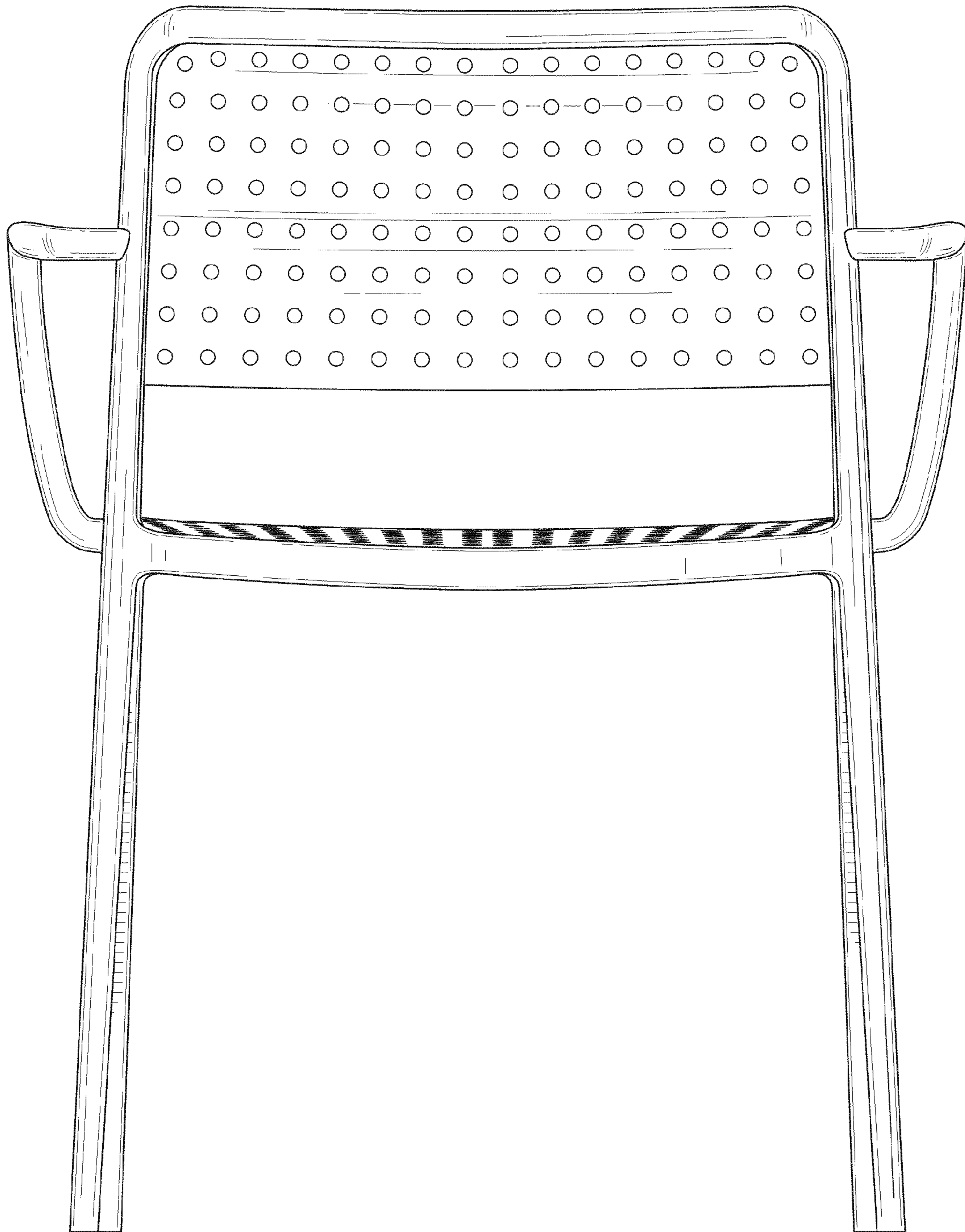


FIG. 8

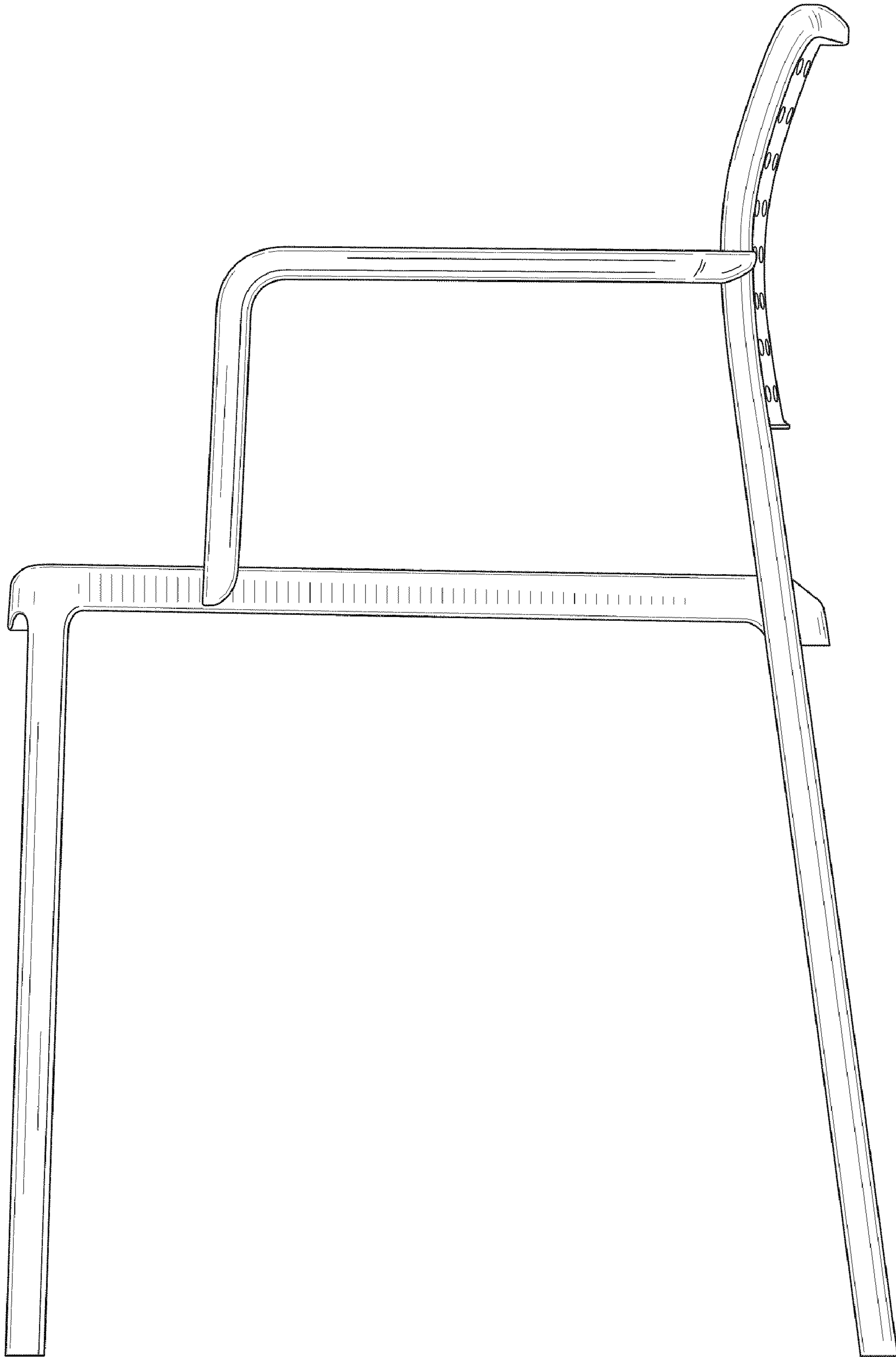


FIG. 9

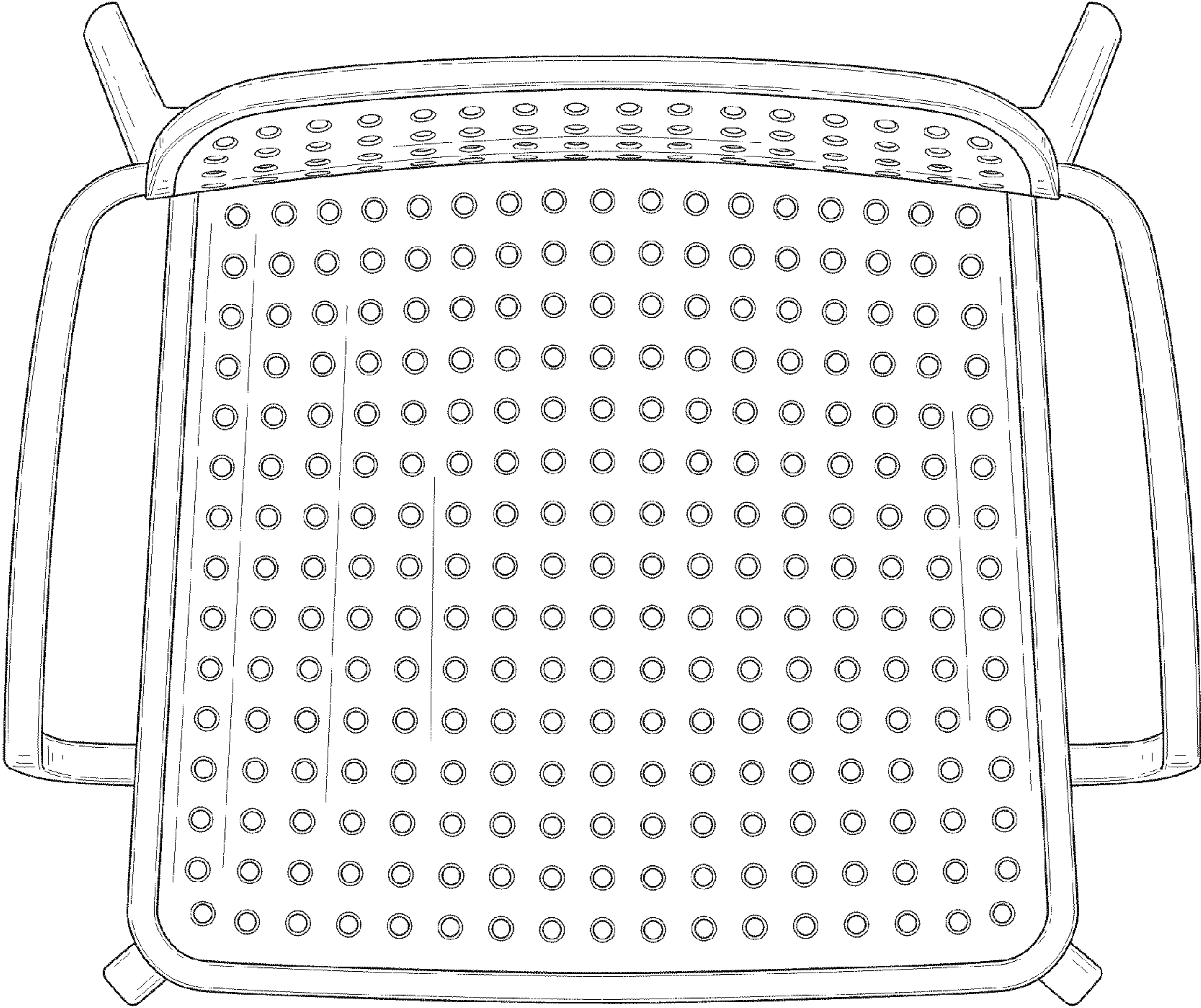


FIG. 10