



US00D645271S

(12) **United States Design Patent**
Olano Jauregui

(10) **Patent No.:** **US D645,271 S**

(45) **Date of Patent:** **** Sep. 20, 2011**

(54) **CHAIR**

(75) Inventor: **Juan Carlos Olano Jauregui**, Legorreta (ES)

(73) Assignee: **Erudu, S. Coop.**, Legorreta (Gipuzkoa) (ES)

(**) Term: **14 Years**

(21) Appl. No.: **29/364,014**

(22) Filed: **Jun. 17, 2010**

(51) **LOC (9) Cl.** **06-01**

(52) **U.S. Cl.** **D6/375; D6/379**

(58) **Field of Classification Search** D6/334–336,
D6/371–373, 374, 375, 376, 379, 380, 500–502;
297/239, 411.42, 445.1, 446.1, 447.2, 448.1,
297/452.1, 452.19, 452.2

See application file for complete search history.

(56) **References Cited**

U.S. PATENT DOCUMENTS

D308,143 S * 5/1990 Lohmeyer D6/379
D410,152 S * 5/1999 Pensi Lombardo D6/375
D417,794 S * 12/1999 Schmidt-Bandelow D6/375

D471,729 S * 3/2003 Glass et al. D6/375
D488,631 S * 4/2004 Newhouse D6/379
D525,447 S * 7/2006 Bongaerts D6/376
D533,371 S * 12/2006 Ciabatti D6/376
D549,480 S * 8/2007 Rech D6/375
D566,413 S * 4/2008 Huang D6/379
D571,118 S * 6/2008 Camp et al. D6/376
D574,161 S * 8/2008 Sneujink et al. D6/379
D597,758 S * 8/2009 Barrett et al. D6/375

* cited by examiner

Primary Examiner — Mimosa De

(74) *Attorney, Agent, or Firm* — Lucas & Mercanti, LLP

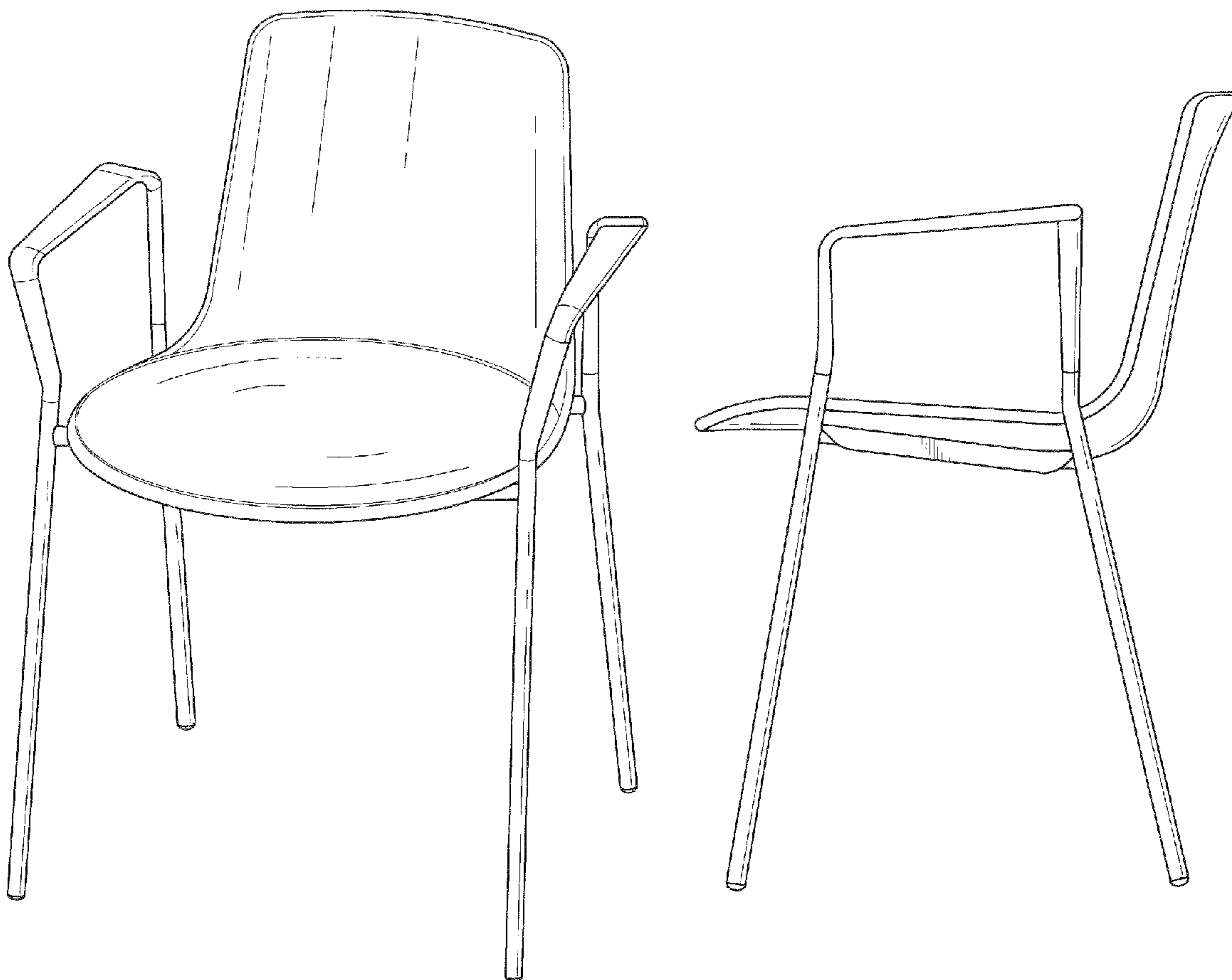
(57) **CLAIM**

The ornamental design for a chair, substantially as shown and described.

DESCRIPTION

FIG. 1 is a perspective view of my chair design.
FIG. 2 is a right-side view of my chair design;
FIG. 3 is a front view of my chair design;
FIG. 4 is a top view of my chair design;
FIG. 5 is a left-side view of my chair design;
FIG. 6 is a back view of my chair design; and,
FIG. 7 is a bottom view of my chair design.

1 Claim, 7 Drawing Sheets



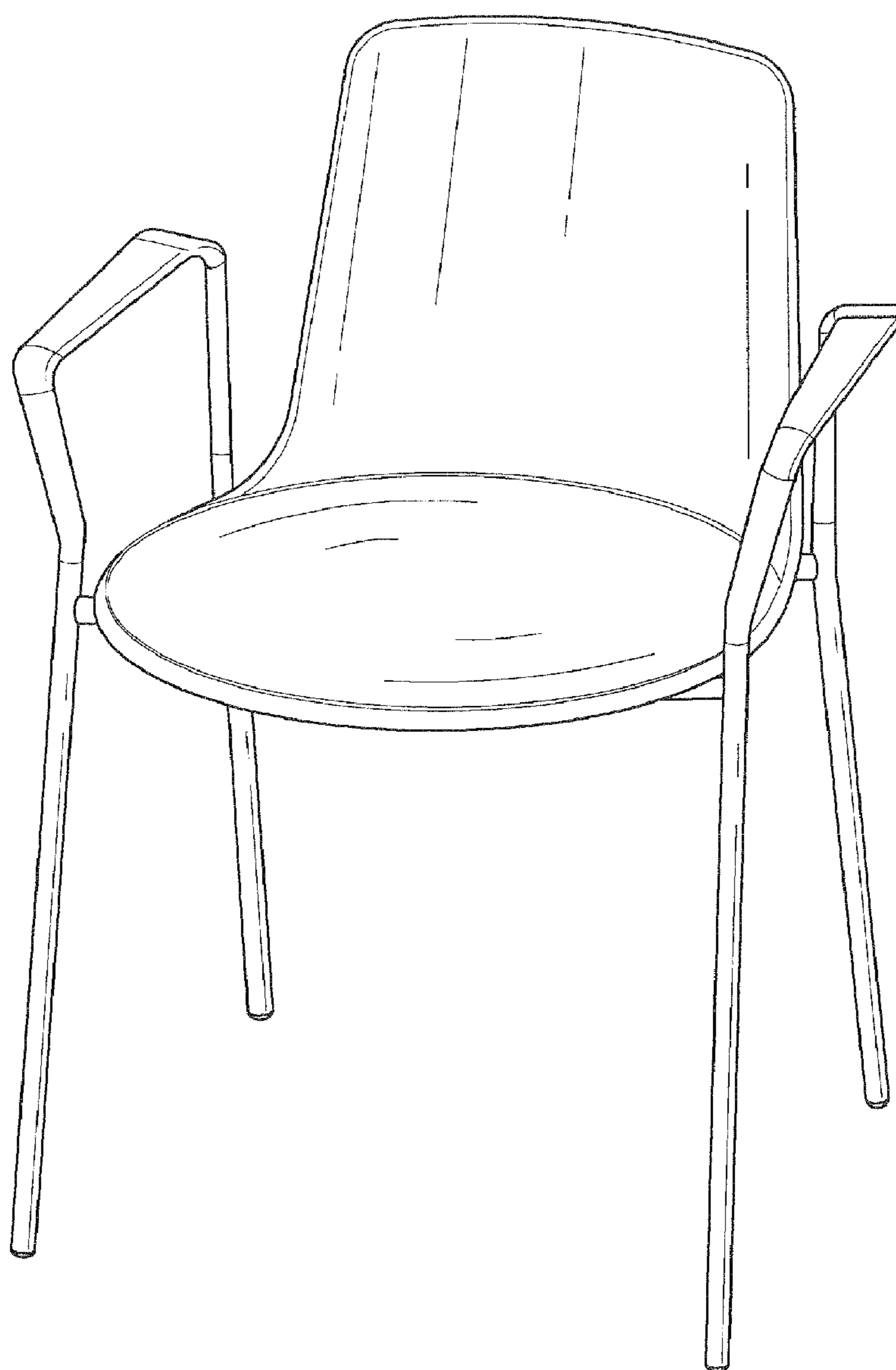


FIG. 1

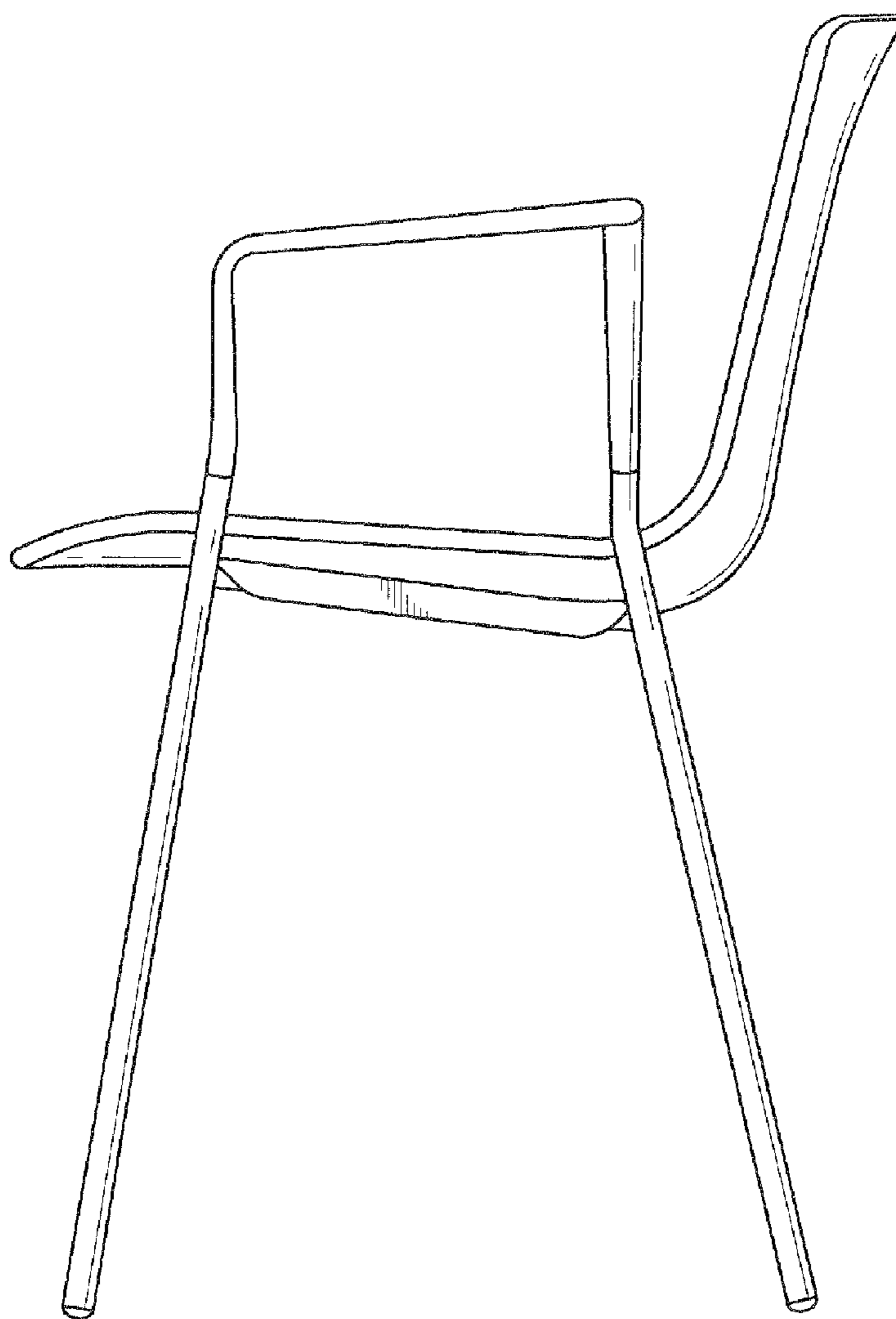


FIG. 2

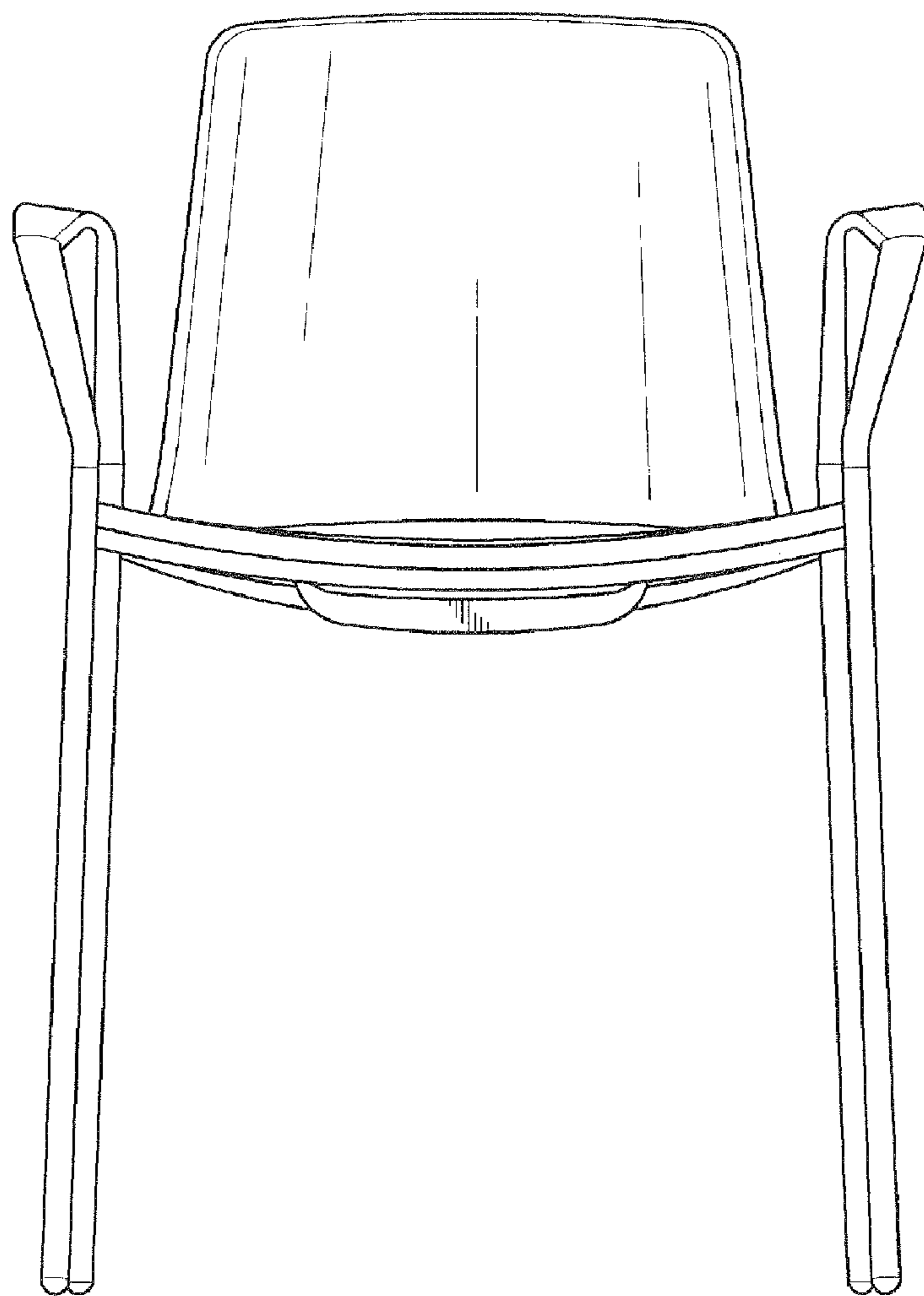


FIG. 3

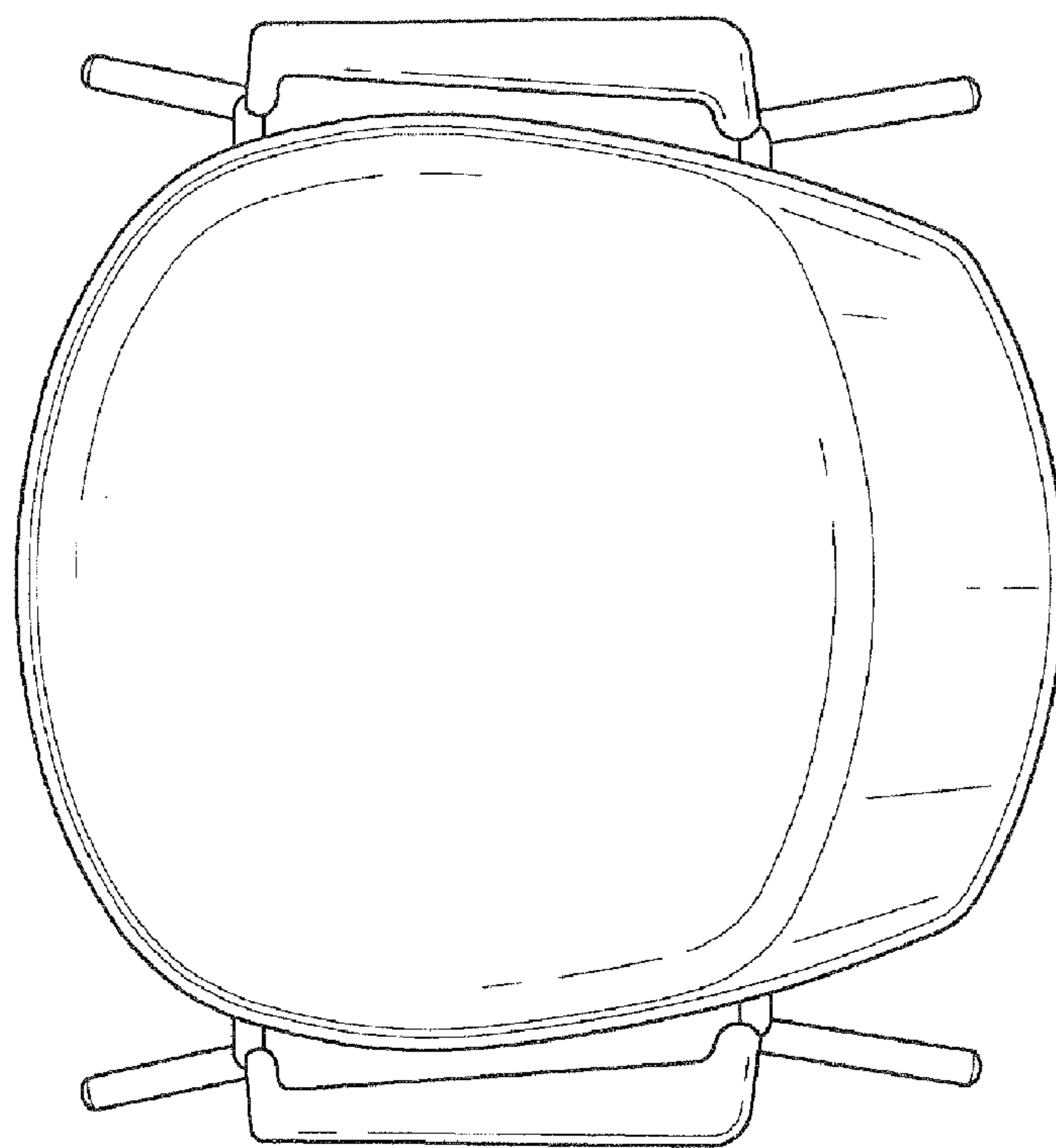


FIG. 4

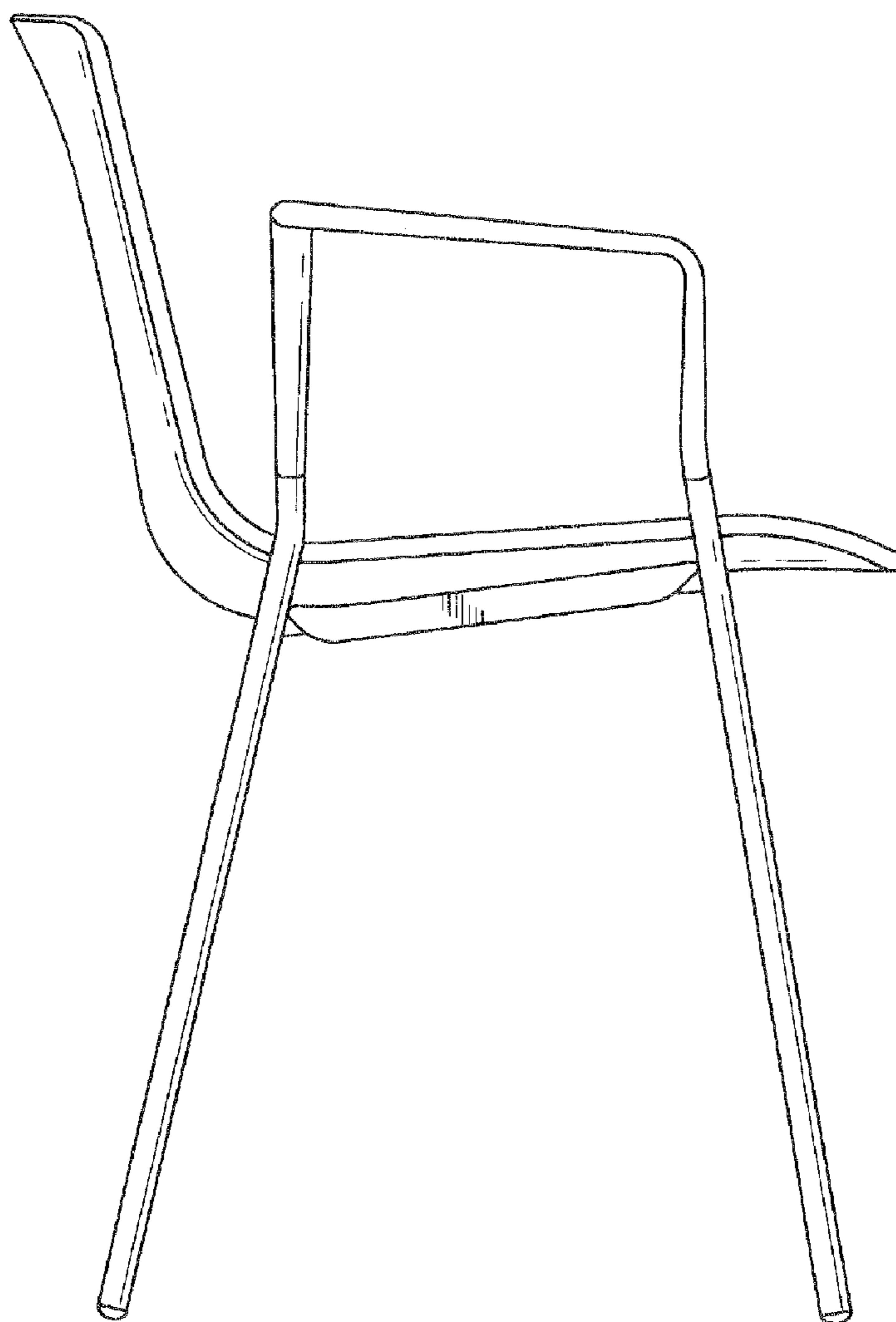


FIG. 5

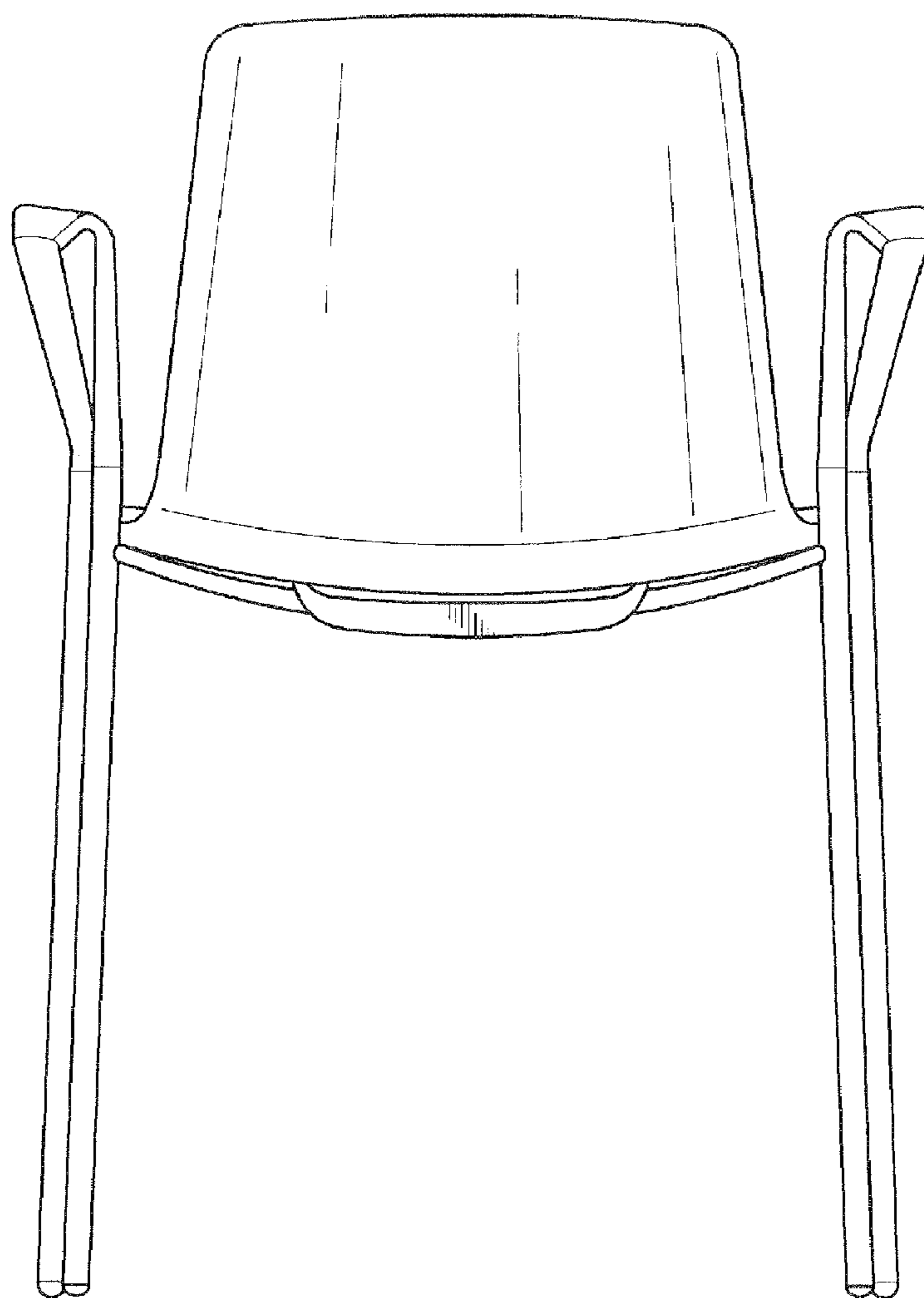


FIG. 6

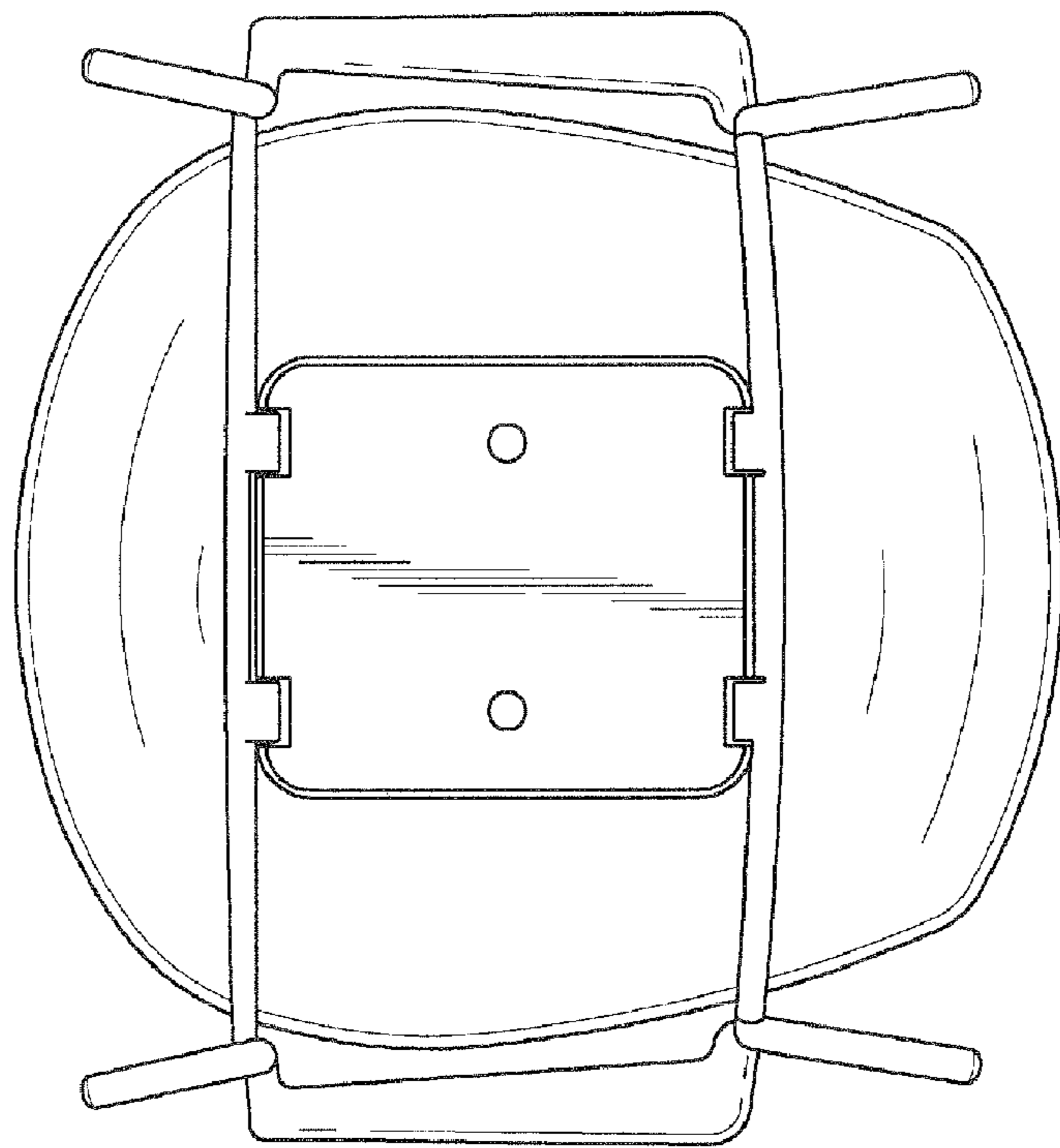


FIG. 7