



US00D645269S

(12) **United States Design Patent**
Vitale

(10) **Patent No.:** **US D645,269 S**

(45) **Date of Patent:** **** Sep. 20, 2011**

(54) **CONTOURED LOVESEAT**

(76) Inventor: **Anthony Vitale**, San Rafael, CA (US)

(**) Term: **14 Years**

(21) Appl. No.: **29/382,137**

(22) Filed: **Dec. 29, 2010**

5,795,276	A *	8/1998	Almeda	482/142
6,578,218	B2 *	6/2003	Wassilefsky	5/648
6,823,545	B1 *	11/2004	Davis	5/630
D500,622	S *	1/2005	Owen	D6/596
D524,067	S *	7/2006	Spear	D6/349
D530,933	S *	10/2006	Vitaro	D6/361
D550,974	S *	9/2007	Thornbury	D6/361
D608,102	S *	1/2010	Kemm	D6/361
D627,111	S *	11/2010	Seliskar	D30/160
D627,113	S *	11/2010	Seliskar	D30/160
2007/0022537	A1 *	2/2007	Faustick	5/655

* cited by examiner

Related U.S. Application Data

(63) Continuation-in-part of application No. 12/315,094, filed on Nov. 28, 2008.

(51) **LOC (9) Cl.** **06-01**

(52) **U.S. Cl.** **D6/361; D6/375**

(58) **Field of Classification Search** D6/334-336, D6/349, 355, 361, 374, 375, 500-502, 596, D6/601; 297/232, 423.1, 447.3, 448.2, 452.12, 297/452.17, 452.19; 5/603, 630, 655; D30/160
See application file for complete search history.

(56) **References Cited**

U.S. PATENT DOCUMENTS

D163,297	S *	5/1951	Laskowitz	D6/361
4,027,888	A *	6/1977	Wilcox	297/452.17
5,440,770	A *	8/1995	Nichols	5/655
D361,905	S *	9/1995	Adams et al.	D6/375
5,474,513	A *	12/1995	Carlesimo et al.	482/140
D372,805	S *	8/1996	Bonaddio et al.	D6/375

Primary Examiner — Mimoso De

(74) *Attorney, Agent, or Firm* — Steven A. Nielsen; Allman & Nielsen, P.C.

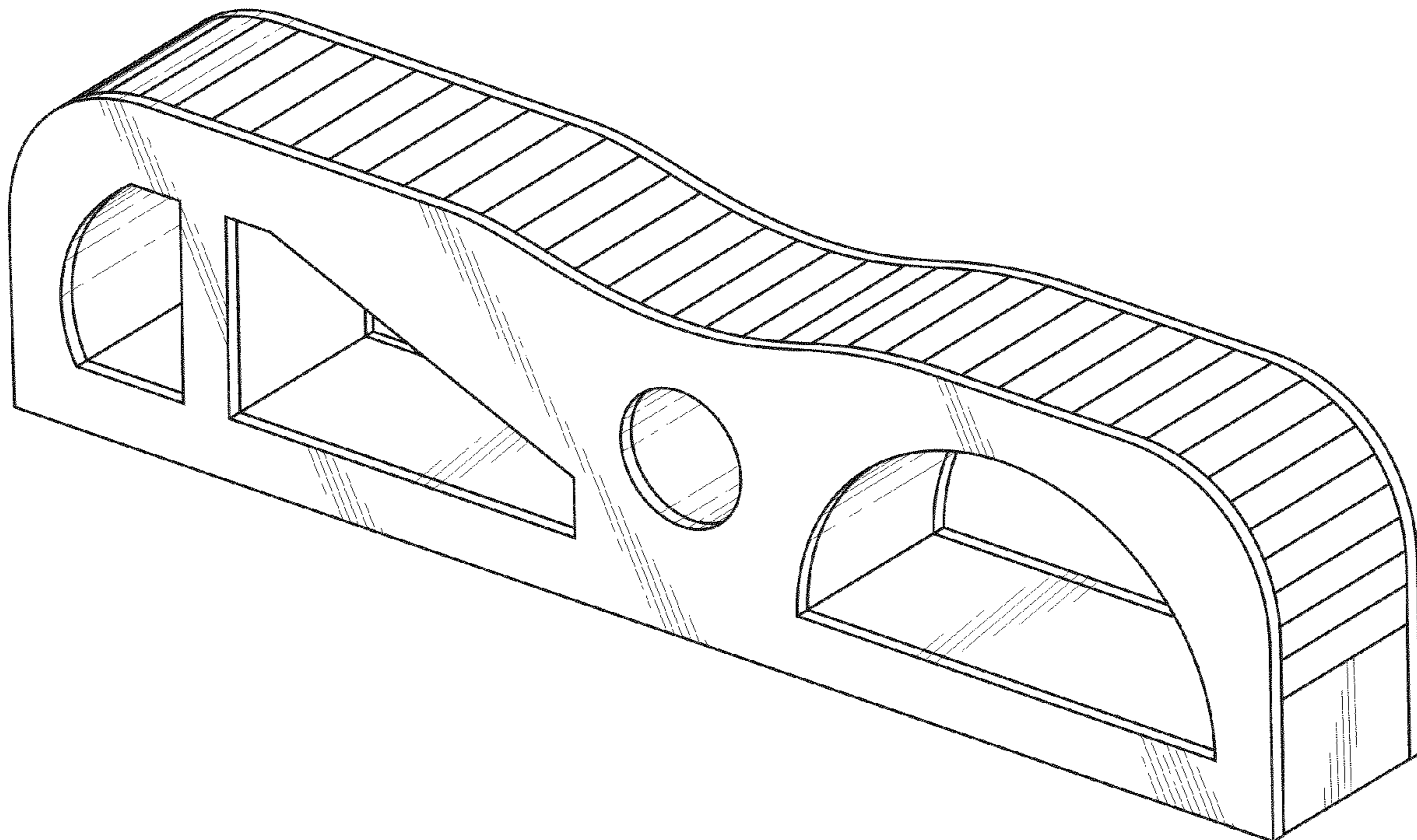
(57) **CLAIM**

The ornamental design for a contoured loveseat, as shown and described.

DESCRIPTION

FIG. 1 is a top front perspective view of the contoured loveseat showing my new design;
FIG. 2 is a right side view;
FIG. 3 is a left side view;
FIG. 4 is a bottom side plan view;
FIG. 5 is a top side plan view;
FIG. 6 is a front view; and,
FIG. 7 is a back view thereof.

1 Claim, 4 Drawing Sheets



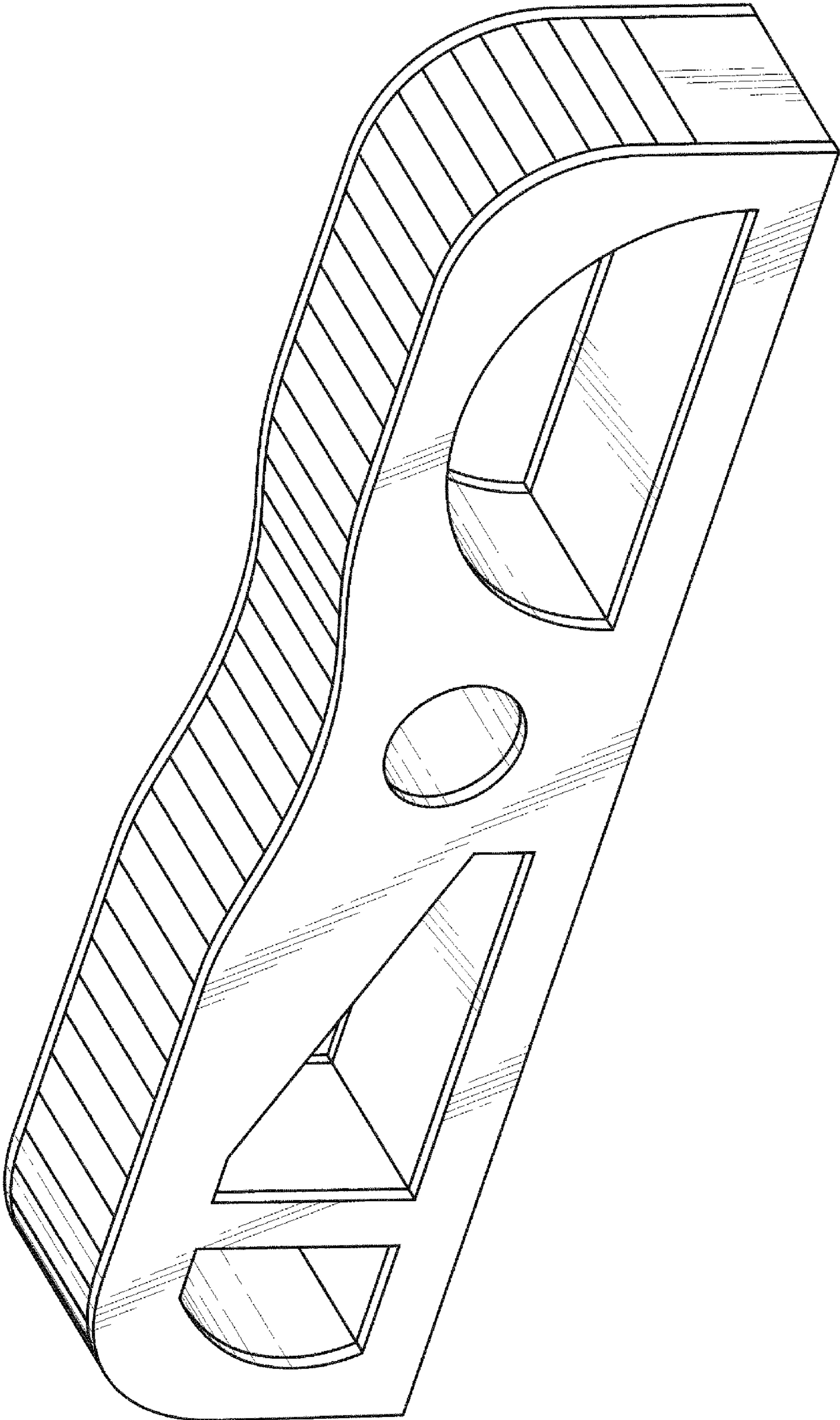


Fig. 1

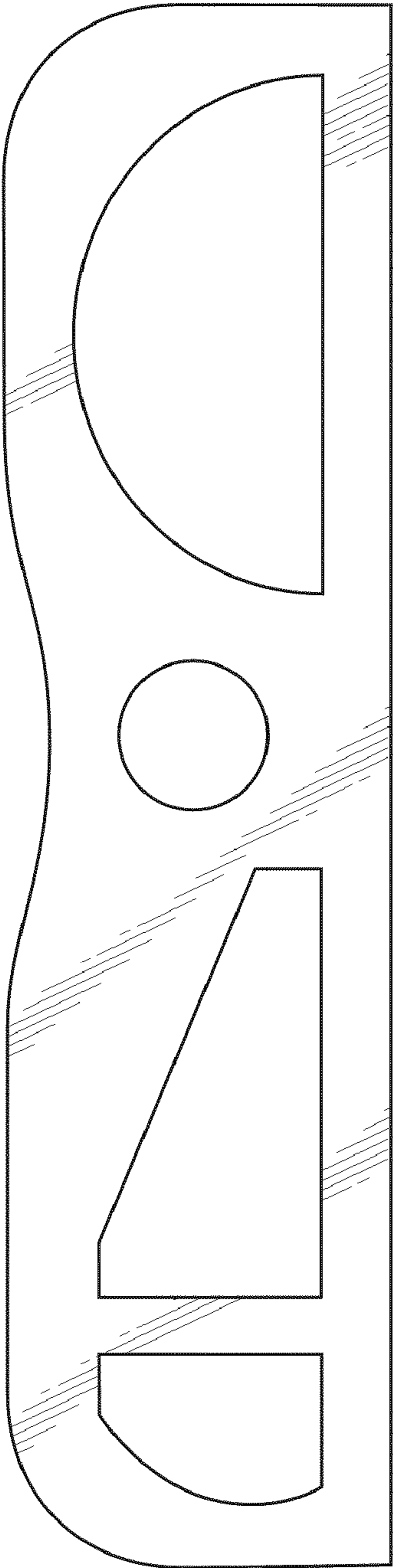


Fig. 2

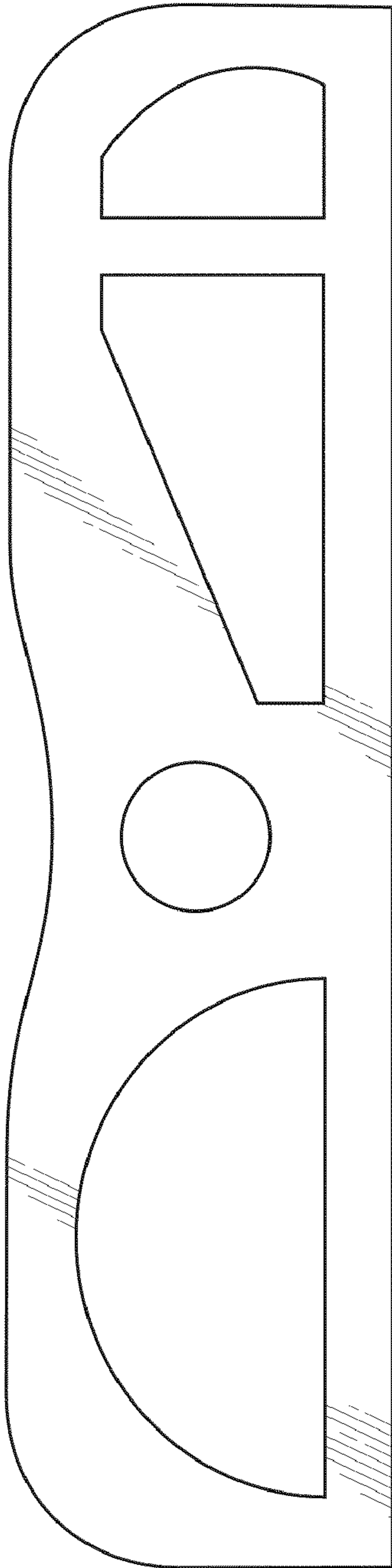


Fig. 3

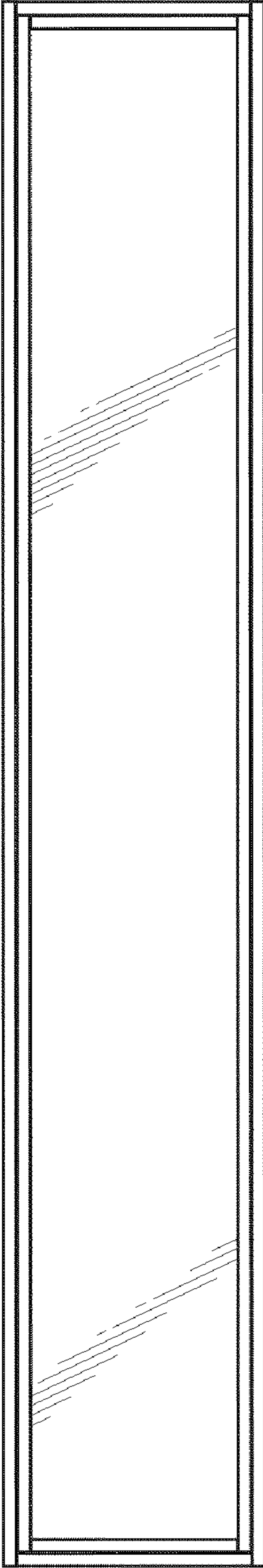


Fig. 4

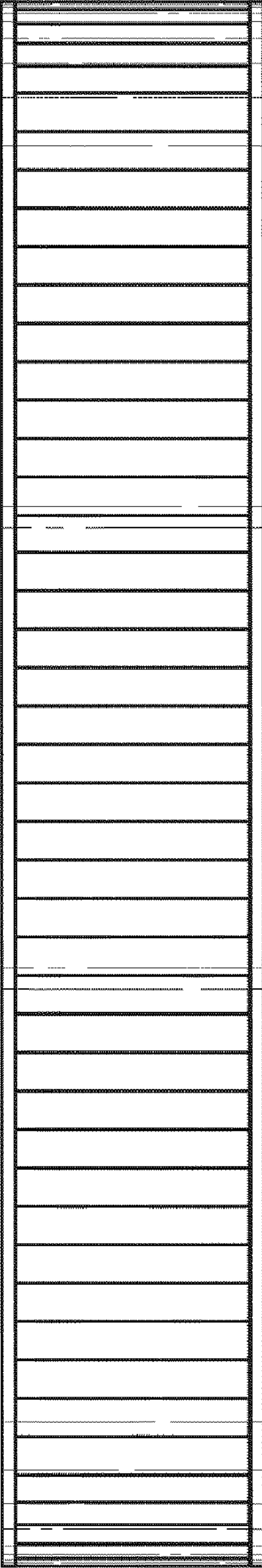


Fig. 5

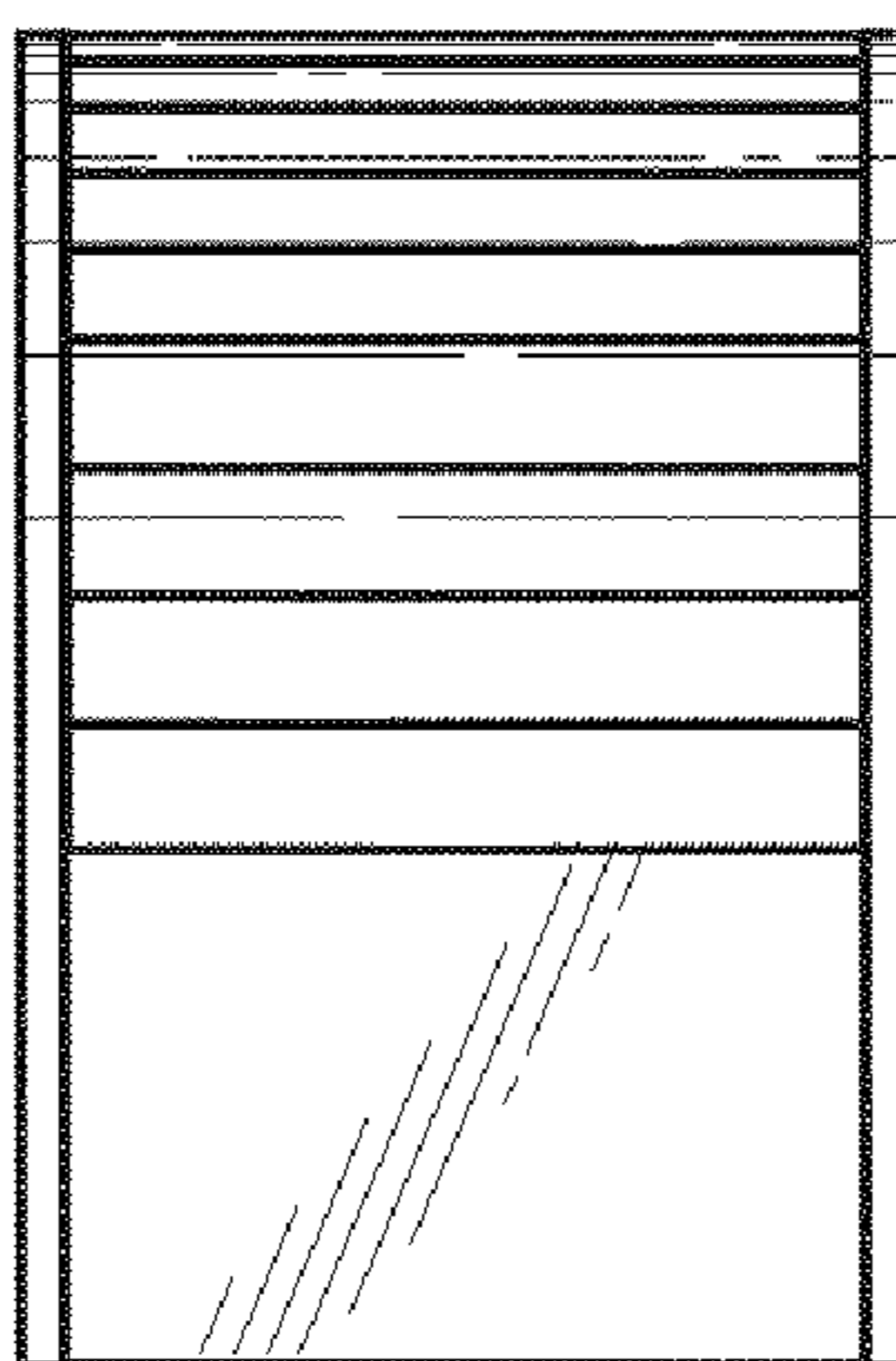


Fig. 6

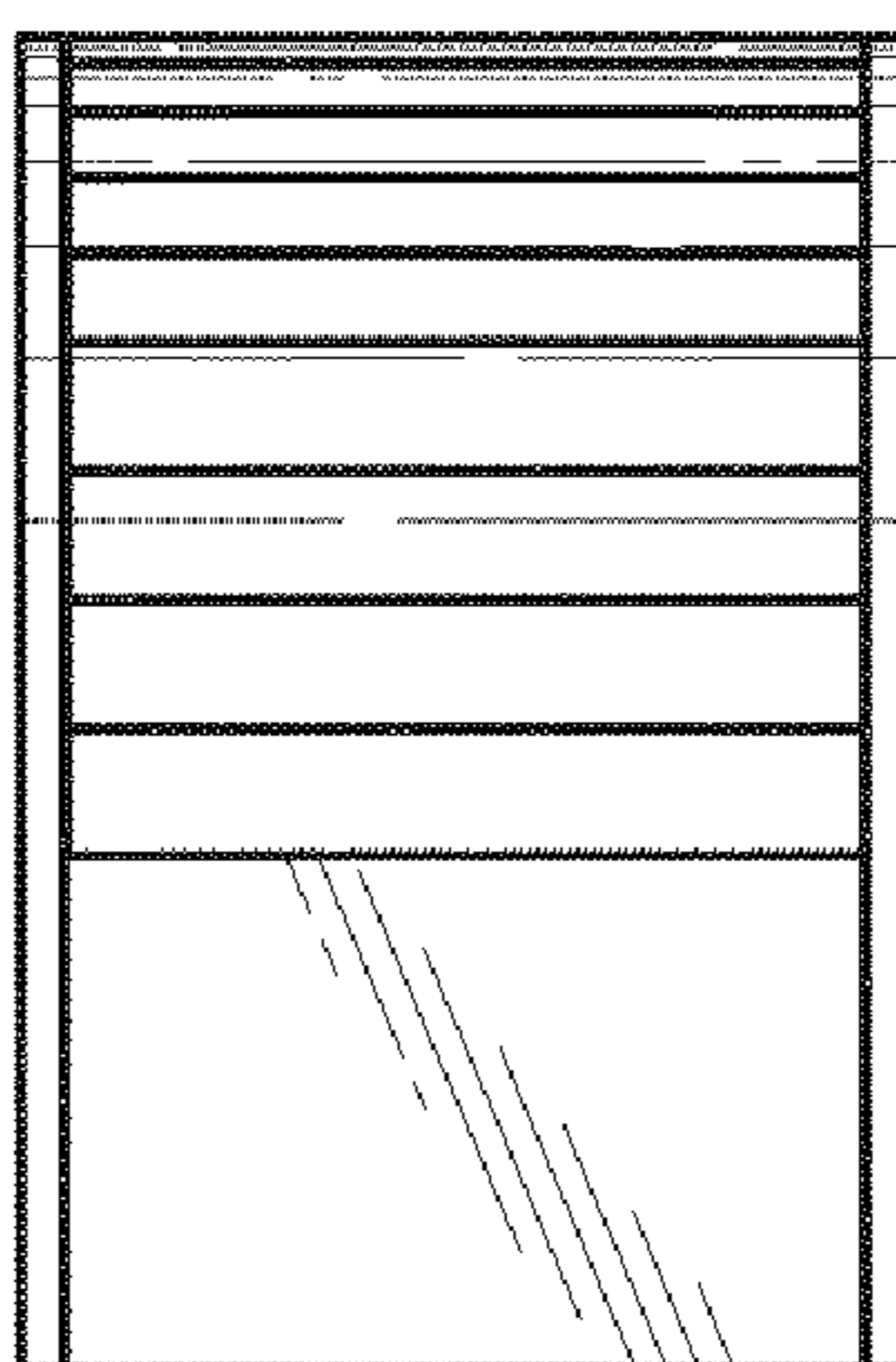


Fig. 7