



US00D645265S

(12) **United States Design Patent**  
**Shen**

(10) **Patent No.:** **US D645,265 S**

(45) **Date of Patent:** **\*\* Sep. 20, 2011**

(54) **MUSICIAN STOOL**

(76) **Inventor:** **Sung Ping Shen**, Pasadena, CA (US)

(\*\*) **Term:** **14 Years**

(21) **Appl. No.:** **29/346,218**

(22) **Filed:** **Oct. 28, 2009**

(51) **LOC (9) Cl.** ..... **06-01**

(52) **U.S. Cl.** ..... **D6/353**

(58) **Field of Classification Search** ..... D6/340,  
D6/349, 353, 354, 355, 491, 500-502; 297/195.1,  
297/195.11, 175, 187, 215.16, 219.11, 423.1,  
297/423.14, 423.16, 423.39, 423.41, 461,  
297/462, 156, 158.2, 186, 214; 108/136-137  
See application file for complete search history.

(56) **References Cited**

**U.S. PATENT DOCUMENTS**

2,754,888	A *	7/1956	La Palme	.....	297/354.13
D336,166	S *	6/1993	Hollington	.....	D6/349
D339,002	S *	9/1993	Wong	.....	D6/349
D355,773	S *	2/1995	MacOwan	.....	D6/335
D419,332	S *	1/2000	Collins et al.	.....	D6/429

D436,468	S *	1/2001	Hutton et al.	.....	D6/480
D477,718	S *	7/2003	Vail	.....	D6/335
6,585,315	B1 *	7/2003	Vail	.....	297/186
6,843,183	B2 *	1/2005	Strong	.....	108/147.21
D508,336	S *	8/2005	Suzuki et al.	.....	D6/349
D517,355	S *	3/2006	Strong	.....	D6/495
D529,734	S *	10/2006	Astle et al.	.....	D6/495
7,156,026	B2 *	1/2007	McClellion	.....	108/43
D542,546	S *	5/2007	Rubio	.....	D6/349

\* cited by examiner

*Primary Examiner* — Sandra Snapp

(74) *Attorney, Agent, or Firm* — Christie, Parker & Hale, LLP

(57) **CLAIM**

The ornamental design for musician stool, as shown and described.

**DESCRIPTION**

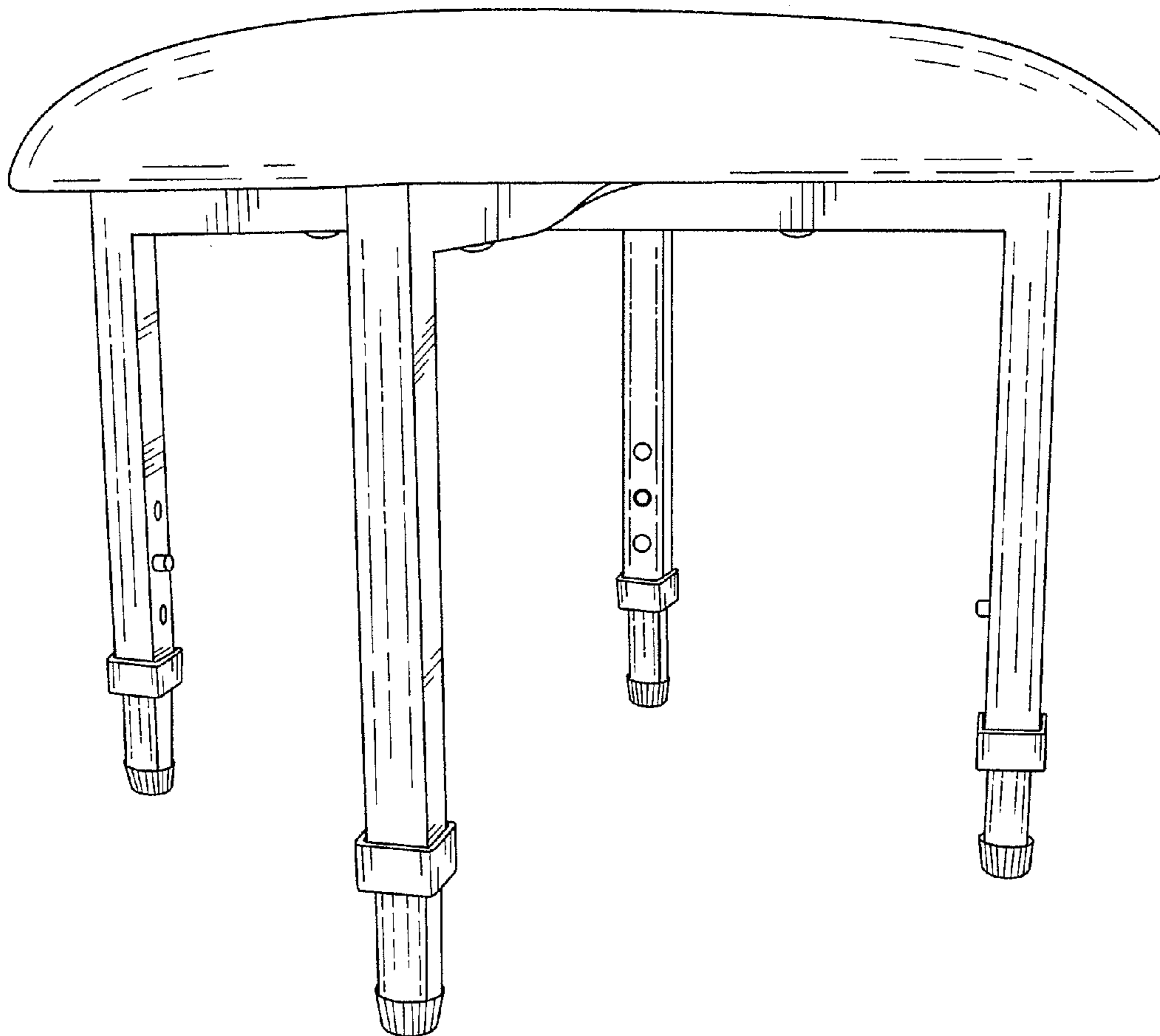
FIG. 1 is a side perspective view of a musician stool according to the present invention;

FIG. 2 is an end view of the musician stool;

FIG. 3 is a top view of the musician stool of FIG. 1; and,

FIG. 4 is a side view of the musician stool of FIG. 1.

**1 Claim, 4 Drawing Sheets**



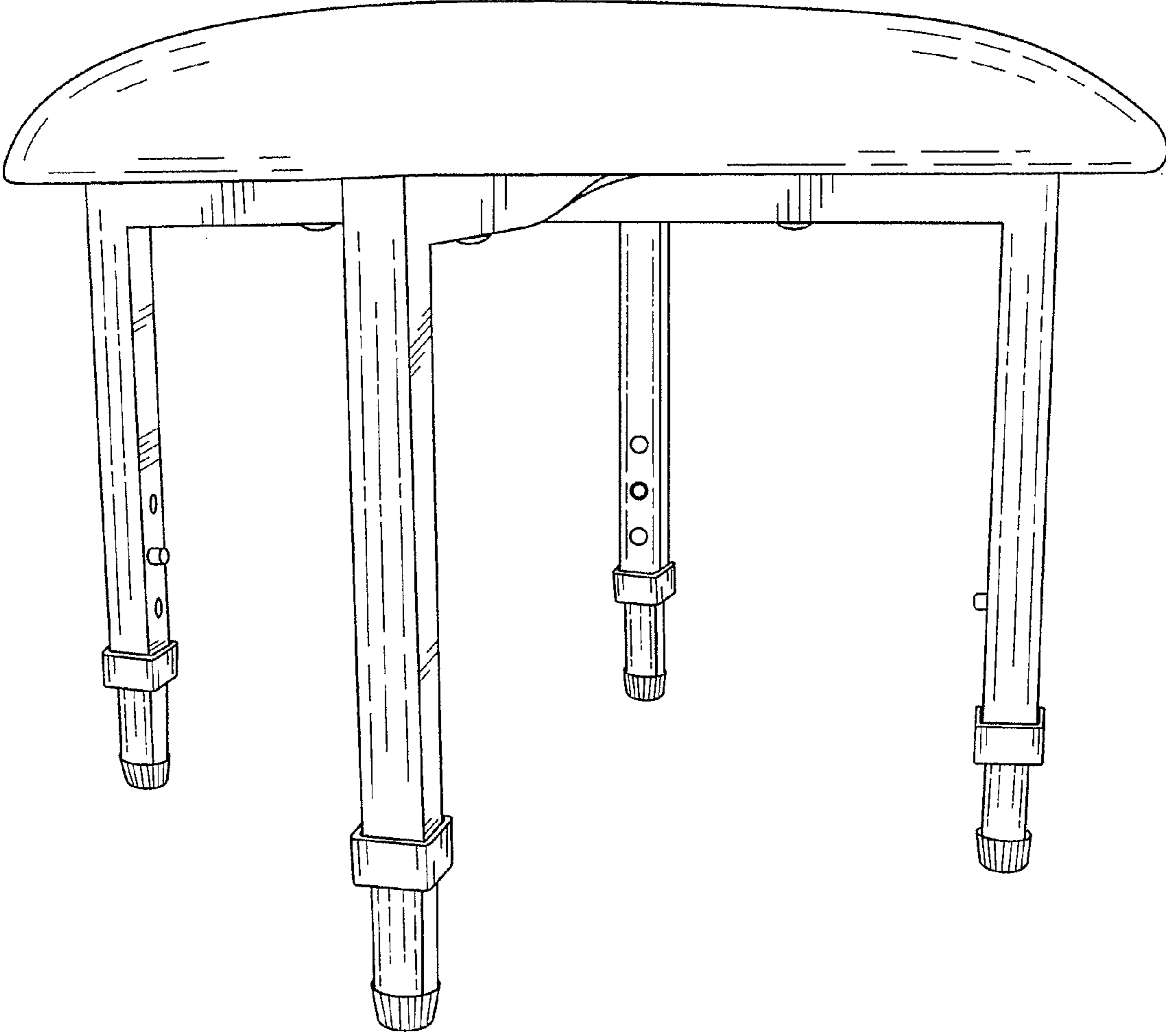


FIG. 1

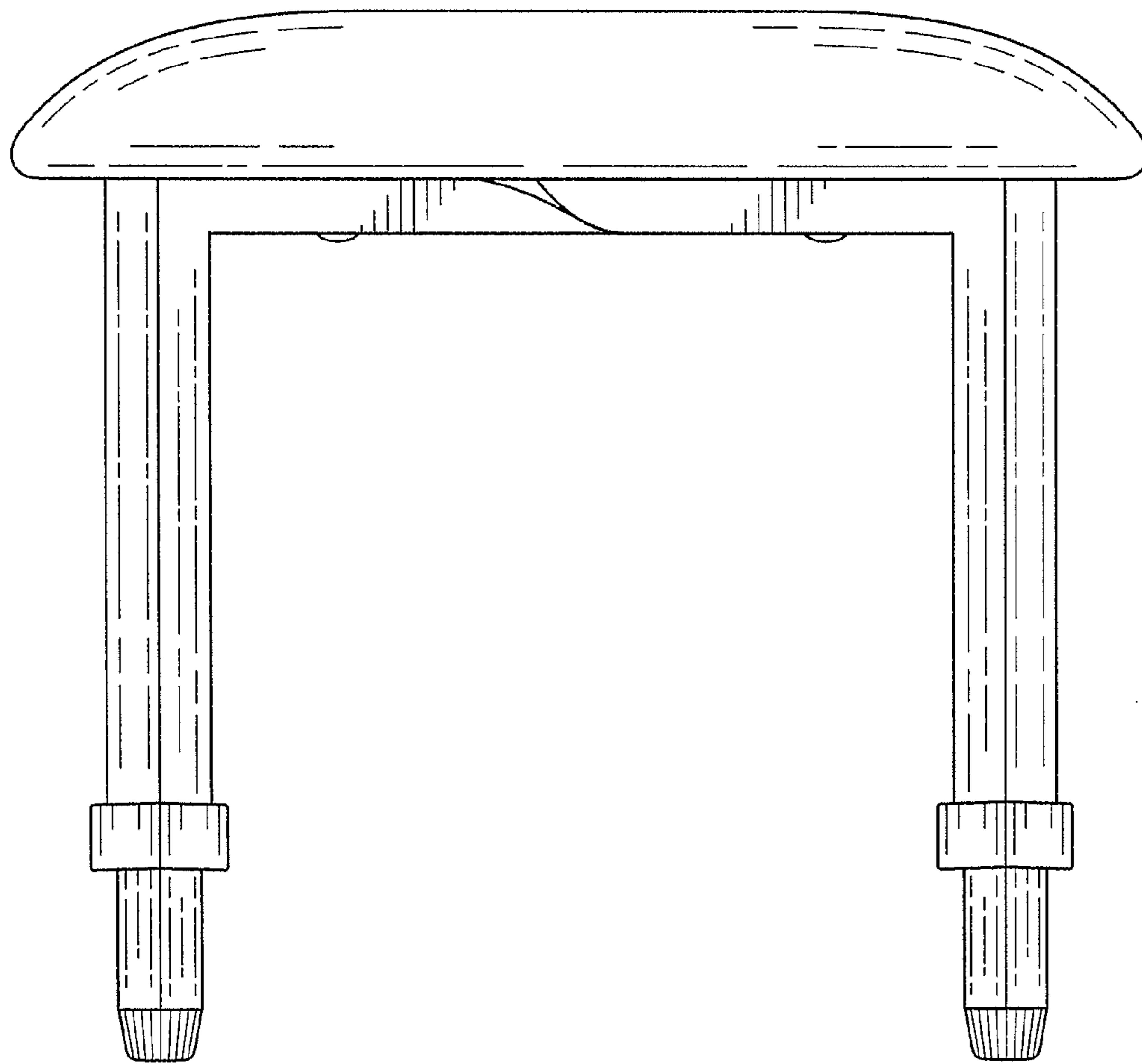


FIG. 2

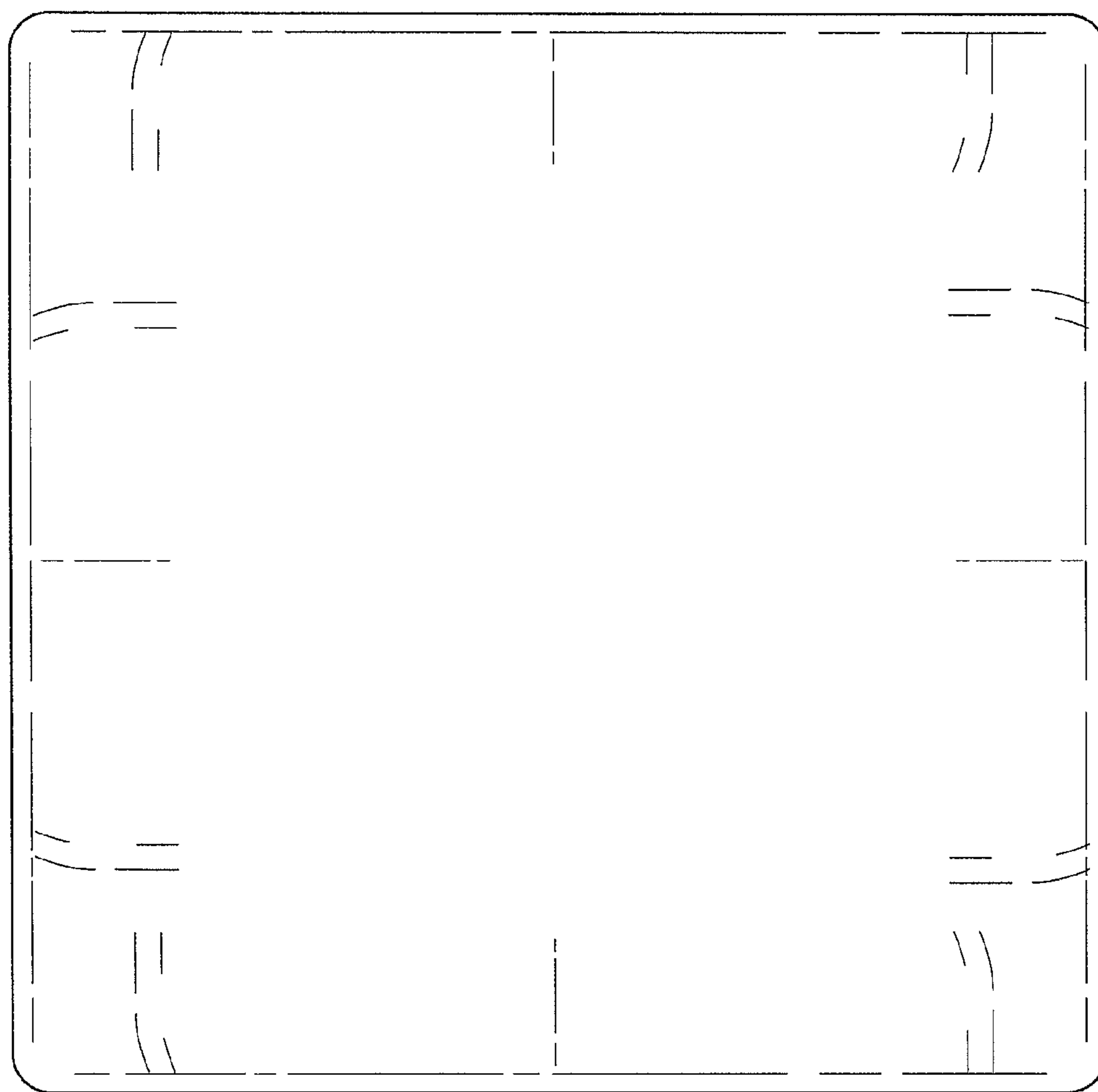


FIG. 3

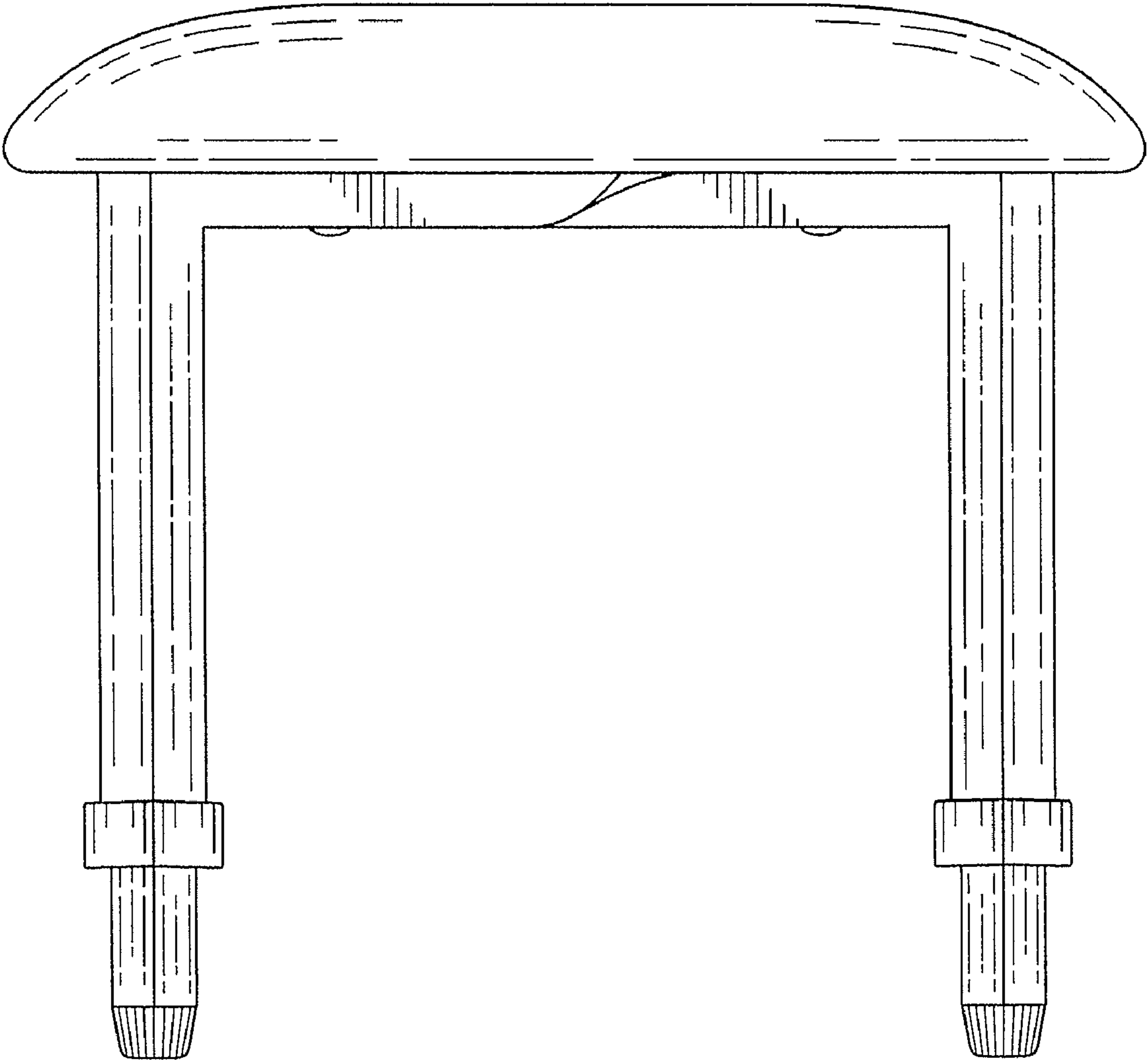


FIG. 4