

US00D645264S

(12) **United States Design Patent**
Wiegmann et al.

(10) **Patent No.:** **US D645,264 S**

(45) **Date of Patent:** **** Sep. 20, 2011**

(54) **INFANT CARE APPARATUS**

(75) Inventors: **Elijah M. Wiegmann**, Pittsburgh, PA (US); **Frederick Karl Hopke**, Glenshaw, PA (US); **Robert D. Daley**, Pittsburgh, PA (US)

(73) Assignee: **Thorley Industries, LLC**, Pittsburgh, PA (US)

(**) Term: **14 Years**

(21) Appl. No.: **29/342,870**

(22) Filed: **Sep. 2, 2009**

(51) **LOC (9) Cl.** **06-01**

(52) **U.S. Cl.** **D6/339**

(58) **Field of Classification Search** D6/333,
D6/339; 297/184.13, 184.17, 219.12, 250.1,
297/256.16, 463.1; D21/428; D12/129;
5/655

See application file for complete search history.

(56) **References Cited**

U.S. PATENT DOCUMENTS

D282,791	S *	3/1986	Lockett et al.	D6/333
4,620,334	A	11/1986	Robinson		
D297,685	S *	9/1988	Wilson	D6/348
4,970,740	A	11/1990	Crawford		
D321,599	S *	11/1991	Takahashi et al.	D6/333
5,107,555	A	4/1992	Thrasher		
5,342,113	A	8/1994	Wu		
5,411,315	A *	5/1995	Greenwood	297/440.24
5,509,721	A *	4/1996	Huang	297/452.13
5,617,594	A *	4/1997	Chien	5/102
5,711,045	A	1/1998	Caster et al.		
6,068,566	A	5/2000	Kim		
6,378,940	B1	4/2002	Longoria et al.		
6,574,806	B1	6/2003	Maher		
D480,884	S *	10/2003	Kane et al.	D6/348
6,811,217	B2 *	11/2004	Kane et al.	297/270.2
6,851,745	B2 *	2/2005	nee Wilkins et al.	297/16.1

6,966,082	B2	11/2005	Bloemer et al.		
D513,130	S *	12/2005	Canna et al.	D6/333
6,971,127	B2	12/2005	Richards		
D518,967	S *	4/2006	Canna et al.	D6/333
D560,374	S *	1/2008	Bergkvist	D6/333
7,395,560	B2	7/2008	Bloemer et al.		
D602,266	S *	10/2009	Hagstrom	D6/333
D611,257	S *	3/2010	Jacobs et al.	D6/333
D612,621	S *	3/2010	Ekstrom	D6/333
D615,909	S *	5/2010	Thorne et al.	D12/129
D619,817	S *	7/2010	Gower et al.	D6/339
D623,429	S *	9/2010	Plested et al.	D6/339
2005/0060805	A1 *	3/2005	Chen	5/617
2005/0091743	A1	5/2005	Bloemer et al.		
2008/0136236	A1	6/2008	Kincaid et al.		
2008/0179928	A1	7/2008	Chen et al.		

FOREIGN PATENT DOCUMENTS

DE 202005017014 U1 1/2006

* cited by examiner

Primary Examiner — Sandra Snapp

(74) *Attorney, Agent, or Firm* — The Webb Law Firm

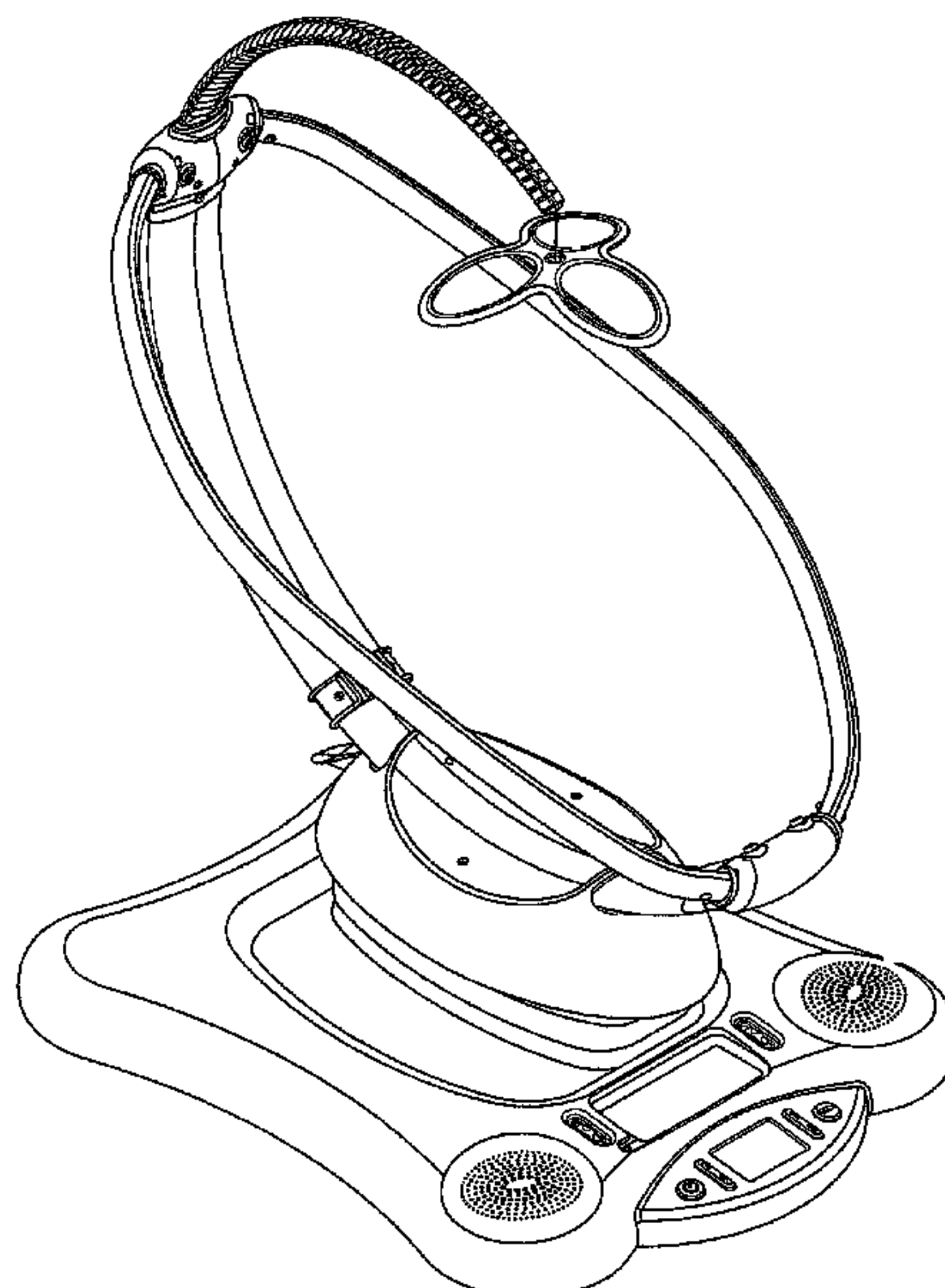
(57) **CLAIM**

The ornamental design for an infant care apparatus, as shown and described.

DESCRIPTION

FIG. 1 is a left front perspective view of an infant care apparatus in accordance with the present invention; FIG. 2 is a left side view thereof; FIG. 3 is a rear perspective view thereof; FIG. 4 is a top plan view thereof; FIG. 5 is a front side view thereof; FIG. 6 is a rear side view thereof; FIG. 7 is a bottom plan view thereof; and, FIG. 8 is a right side view thereof. The broken lines shown in the drawings are for illustrative purposes only and form no part of the claimed design.

1 Claim, 8 Drawing Sheets



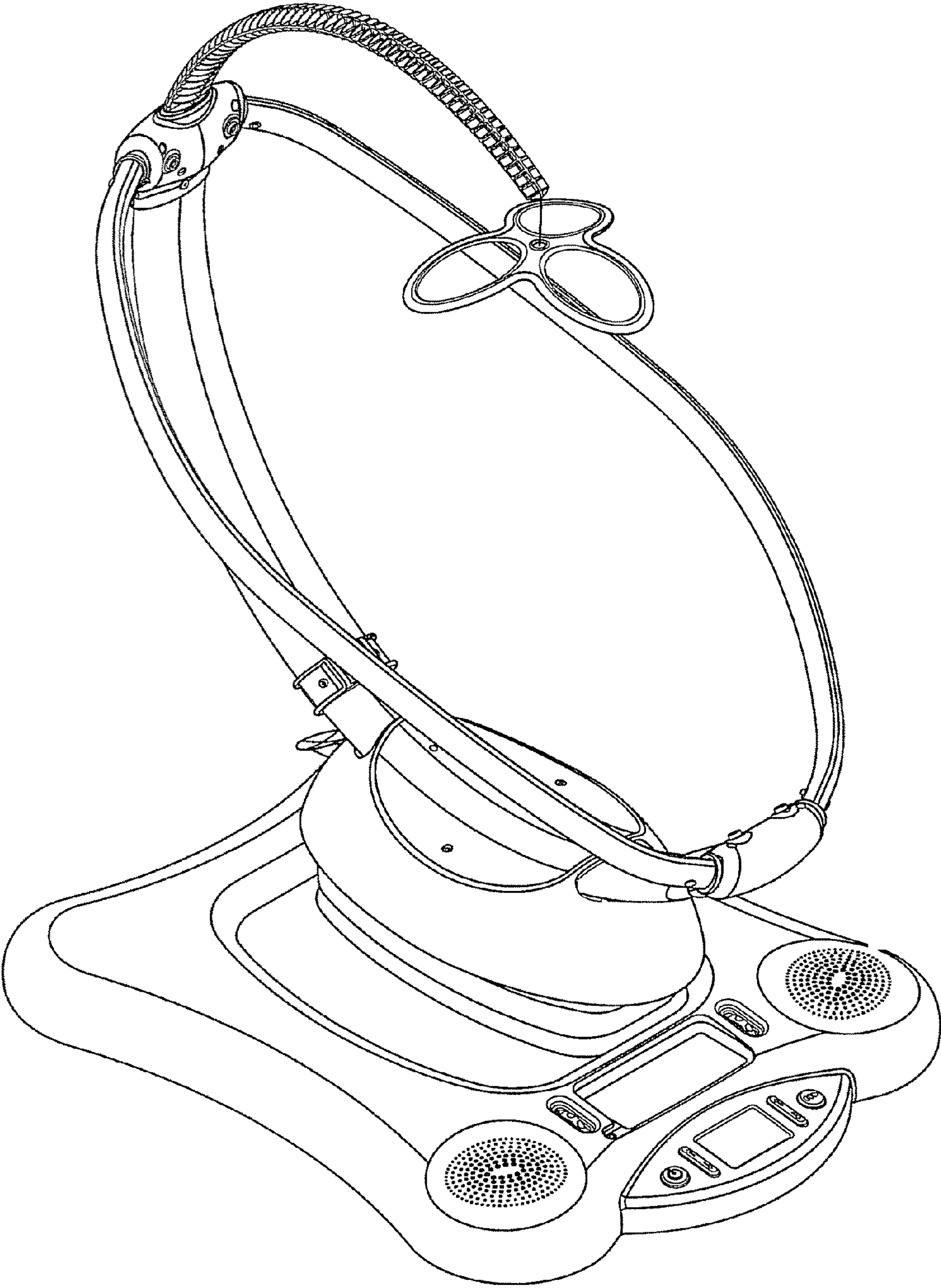


FIG. 1

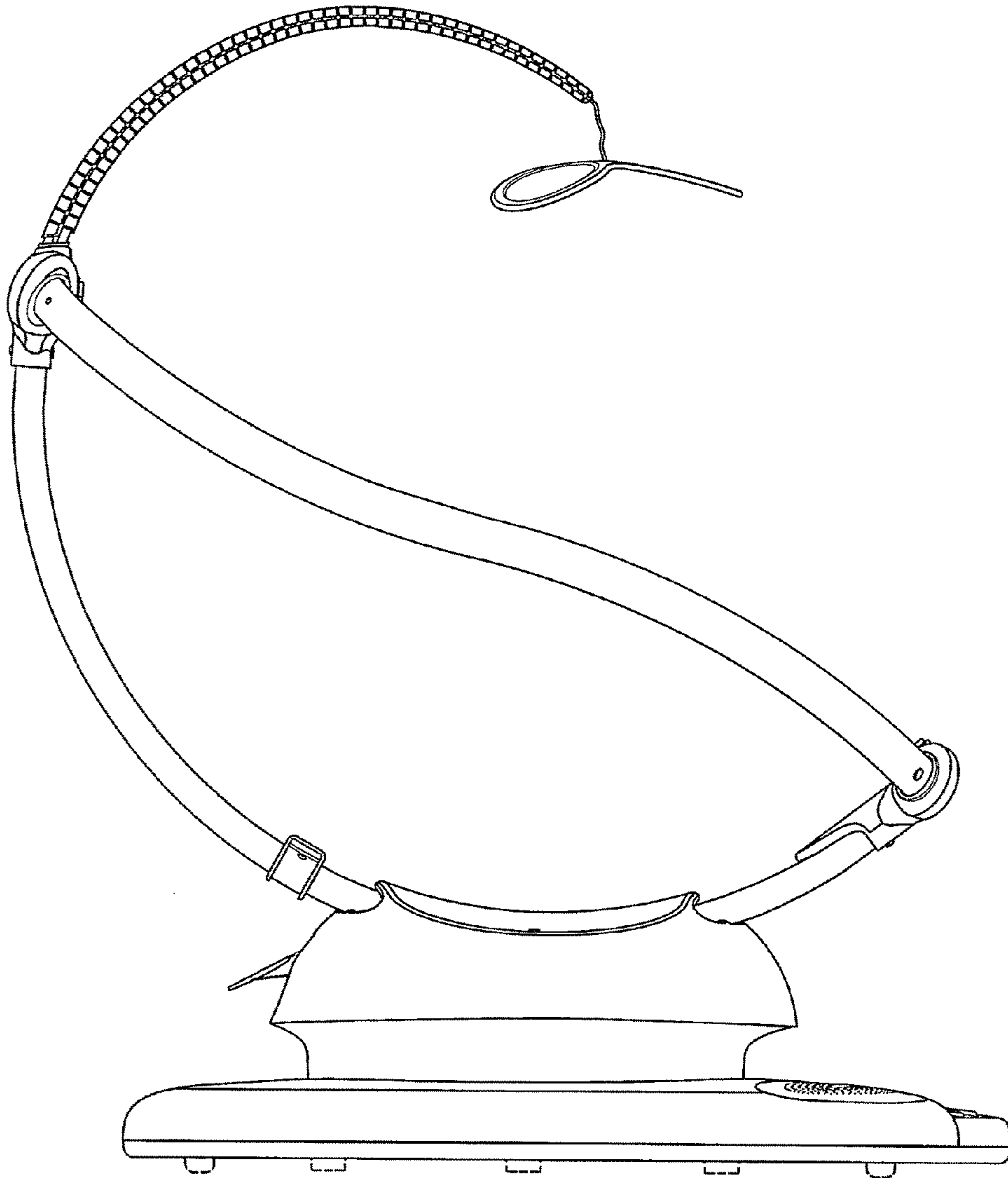


FIG.2

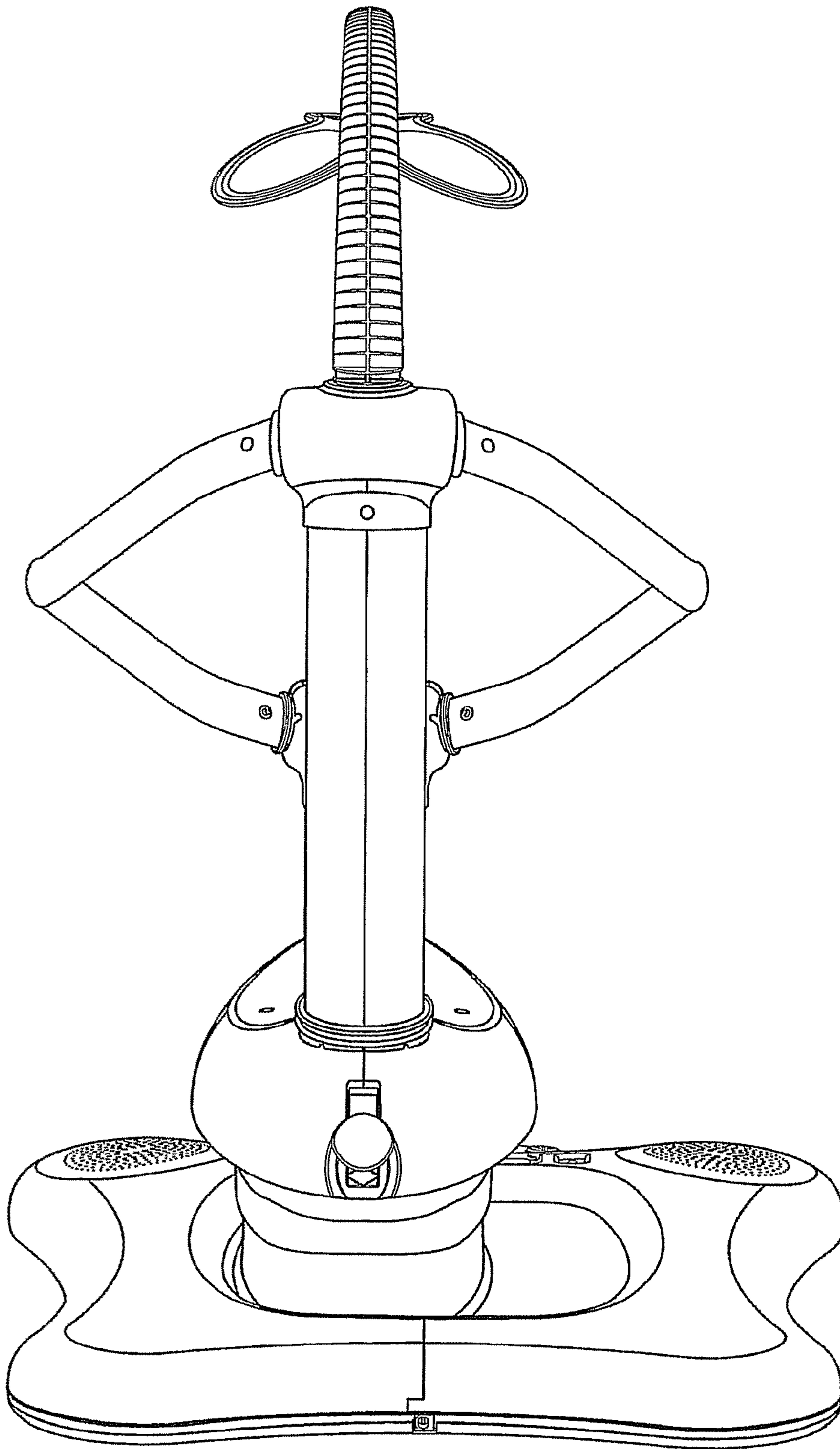


FIG.3

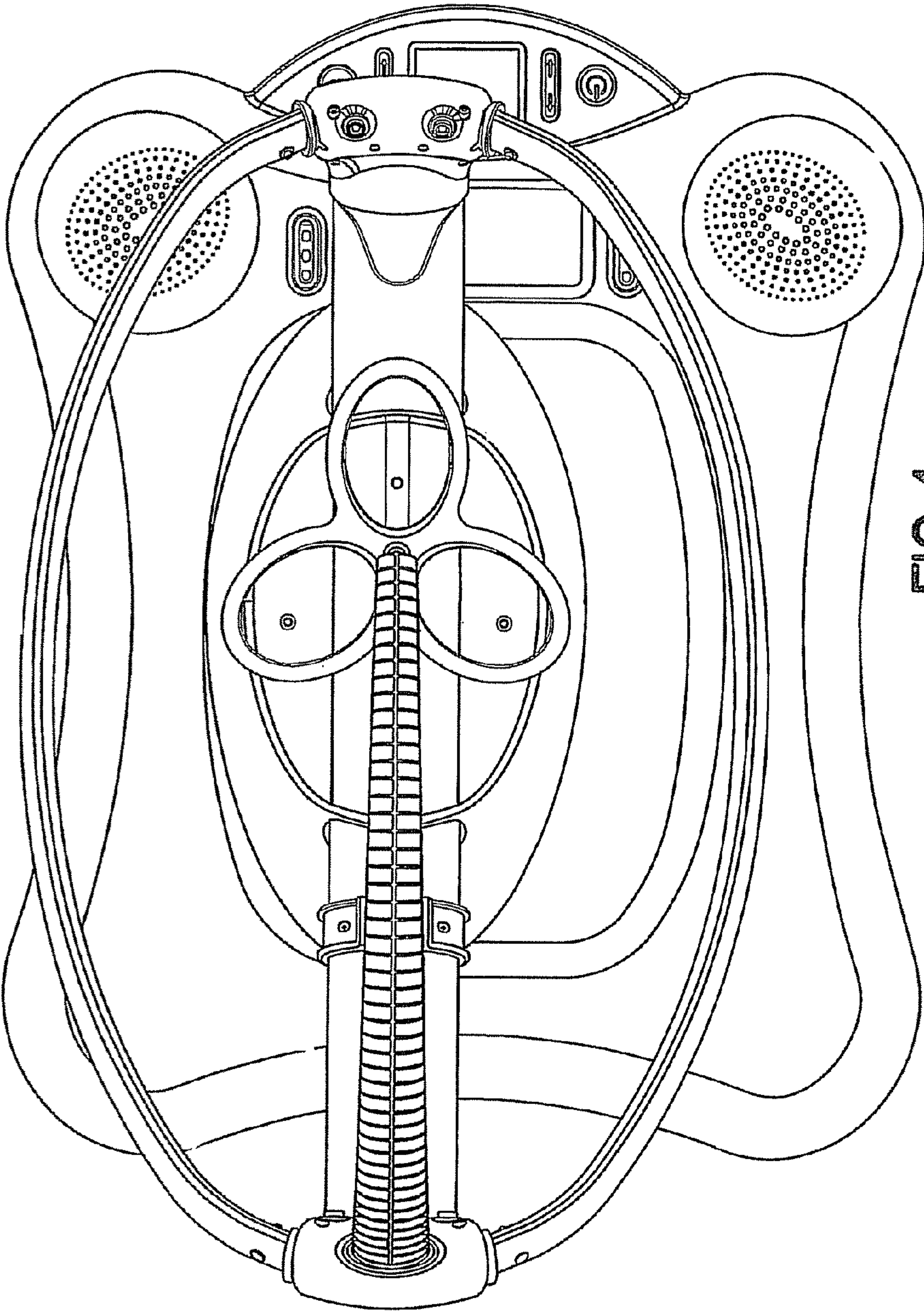


FIG.4

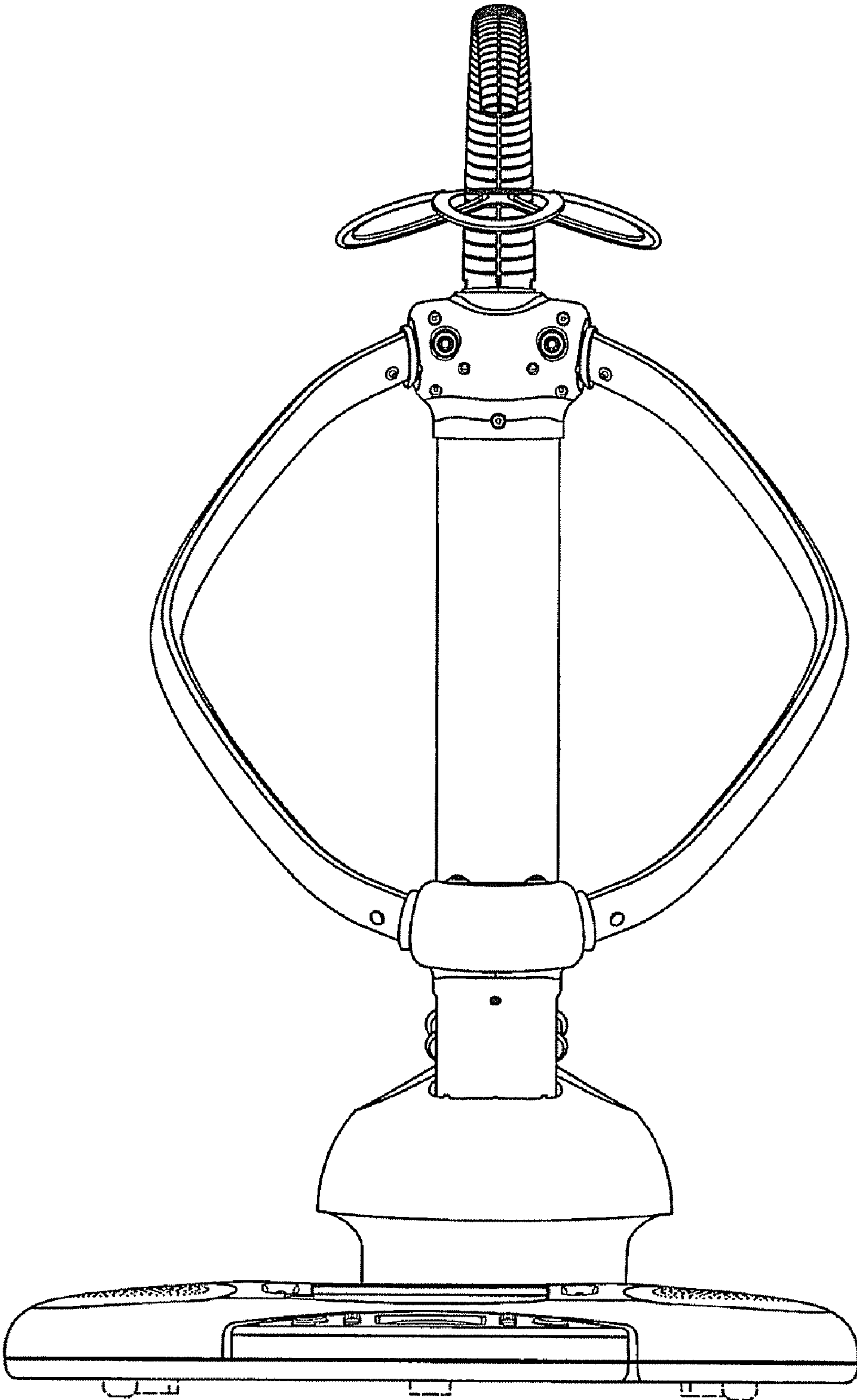


FIG.5

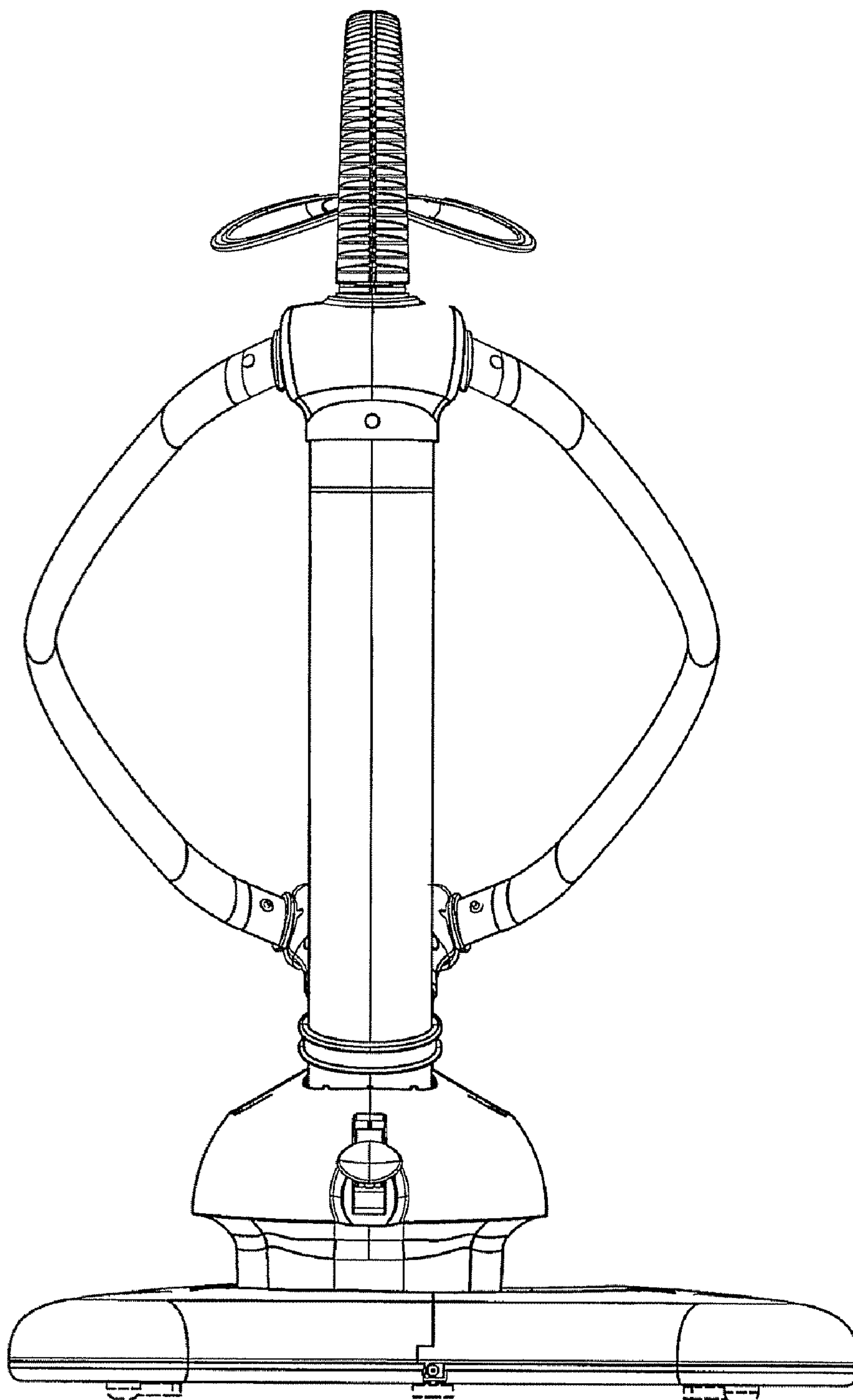


FIG. 6

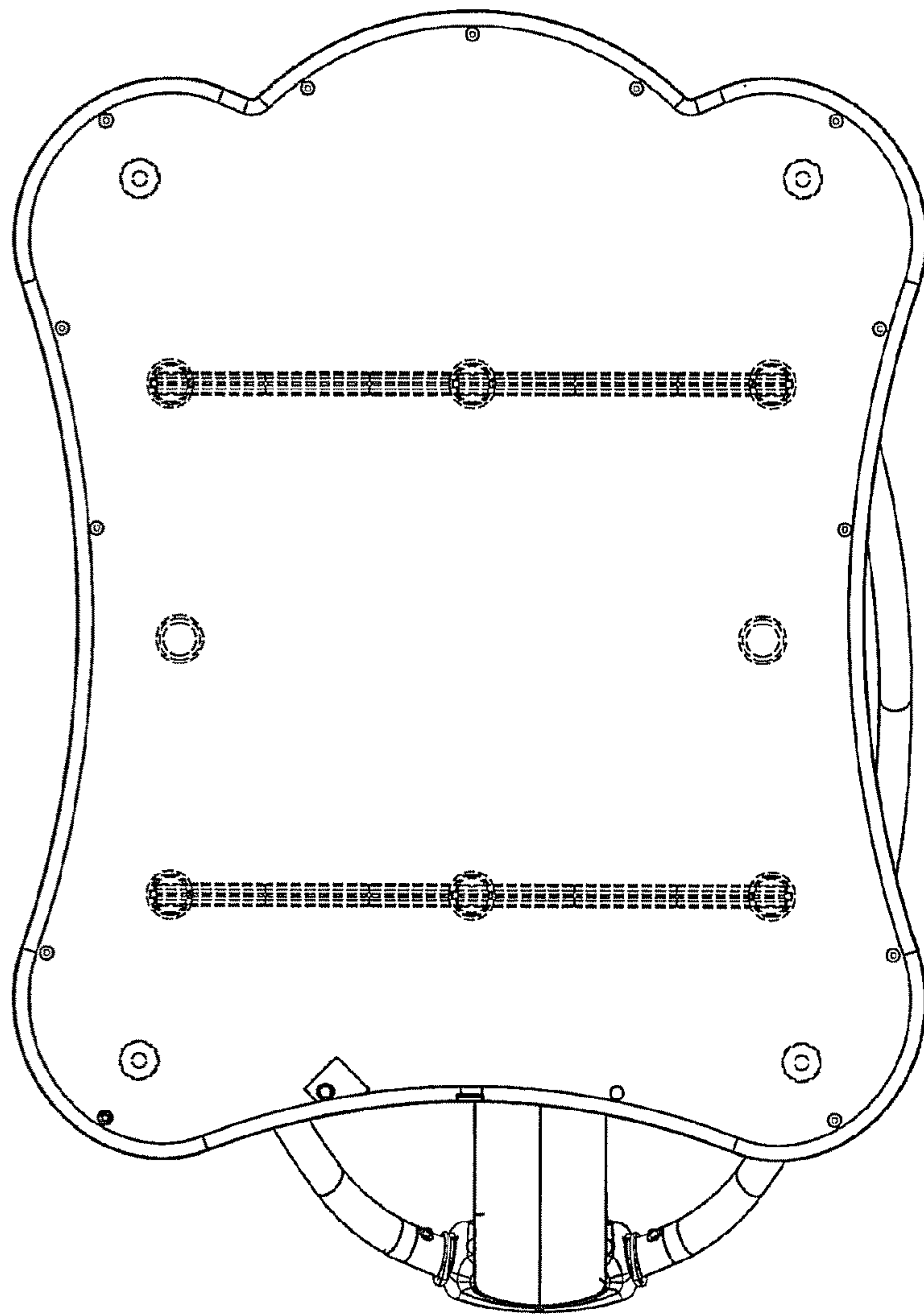


FIG.7

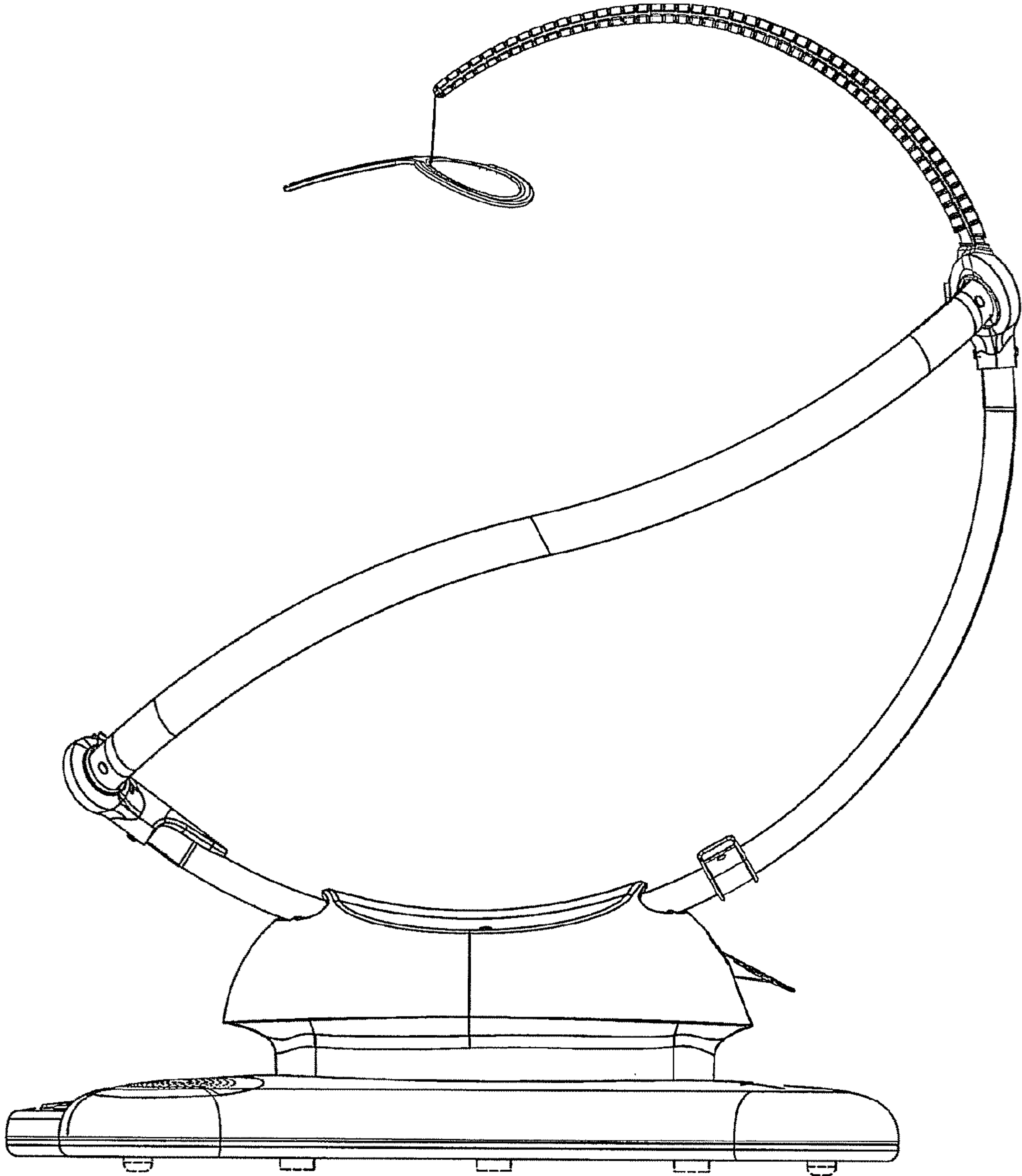


FIG.8