



US00D645262S

(12) **United States Design Patent**
Camp

(10) **Patent No.:** **US D645,262 S**

(45) **Date of Patent:** **** Sep. 20, 2011**

(54) **CLOTHES HANGER WITH DOOR HOOK
AND CLOSET ROD HOOK**

(76) **Inventor:** **Donna D. Camp**, Newport Beach, CA
(US)

(**) **Term:** **14 Years**

(21) **Appl. No.:** **29/348,253**

(22) **Filed:** **Dec. 15, 2009**

(51) **LOC (9) Cl.** **06-08**

(52) **U.S. Cl.** **D6/323**

(58) **Field of Classification Search** D6/315,
D6/317, 318, 323, 324; 211/1, 13.1, 85.3;
223/85-98

See application file for complete search history.

(56) **References Cited**

U.S. PATENT DOCUMENTS

D269,238 S *	6/1983	Bisk et al.	D6/317
4,714,183 A *	12/1987	Tontarelli	223/91
D318,573 S *	7/1991	Abdi	D6/317
D340,137 S *	10/1993	Tocci	D6/317
D408,156 S *	4/1999	Eiley et al.	D6/317
D419,310 S *	1/2000	Abdi	D6/317
D498,933 S *	11/2004	Abdi	D6/317
D502,006 S *	2/2005	Abdi	D6/317
D591,055 S *	4/2009	Abdi et al.	D6/317

* cited by examiner

Primary Examiner — Stella Reid

Assistant Examiner — Derrick E Holland

(74) *Attorney, Agent, or Firm* — David G. Duckworth;
Russo & Duckworth, LLP

(57) **CLAIM**

The ornamental design for the combined clothes hanger, door hook and closet rod hook, as shown and described.

DESCRIPTION

FIG. 1 is a perspective view of a clothes hanger with door hook and closet rod hook;

FIG. 2 is a perspective view thereof, with the door hook rotated 90° in the vertical axis relative to that shown in FIG. 1;

FIG. 3 is a perspective view thereof, with the door hook and closet rod hook rotated 180° in the horizontal axis relative to that shown in FIG. 2;

FIG. 4 is a perspective view thereof, with the door hook rotated 90° in the vertical axis relative to the clothes hanger shown in FIG. 3;

FIG. 5 is a front elevation view thereof;

FIG. 6 is a back elevation view thereof;

FIG. 7 is a left side elevation view thereof;

FIG. 8 is a right side elevation view thereof;

FIG. 9 is a top plan view thereof;

FIG. 10 is a bottom plan view thereof;

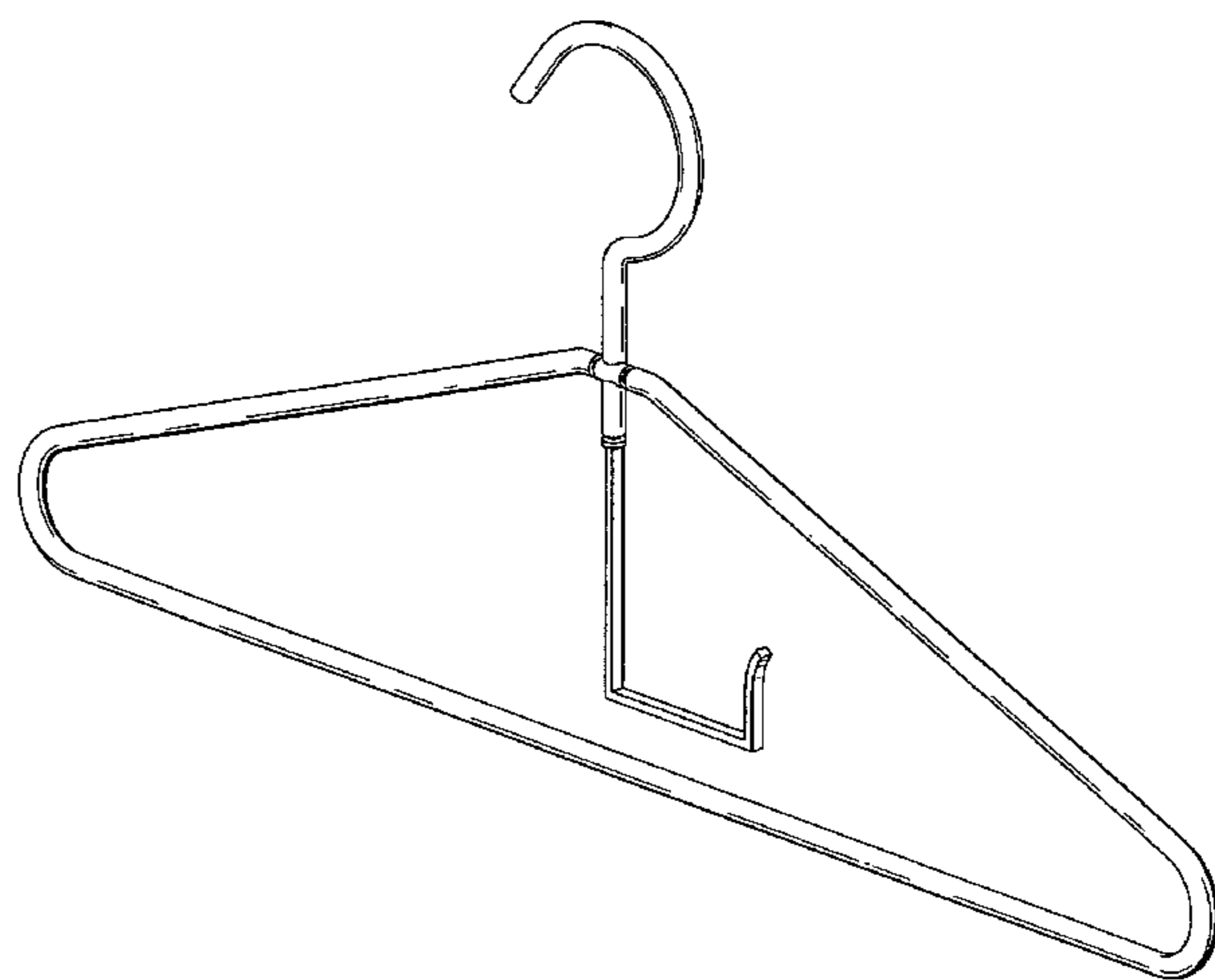
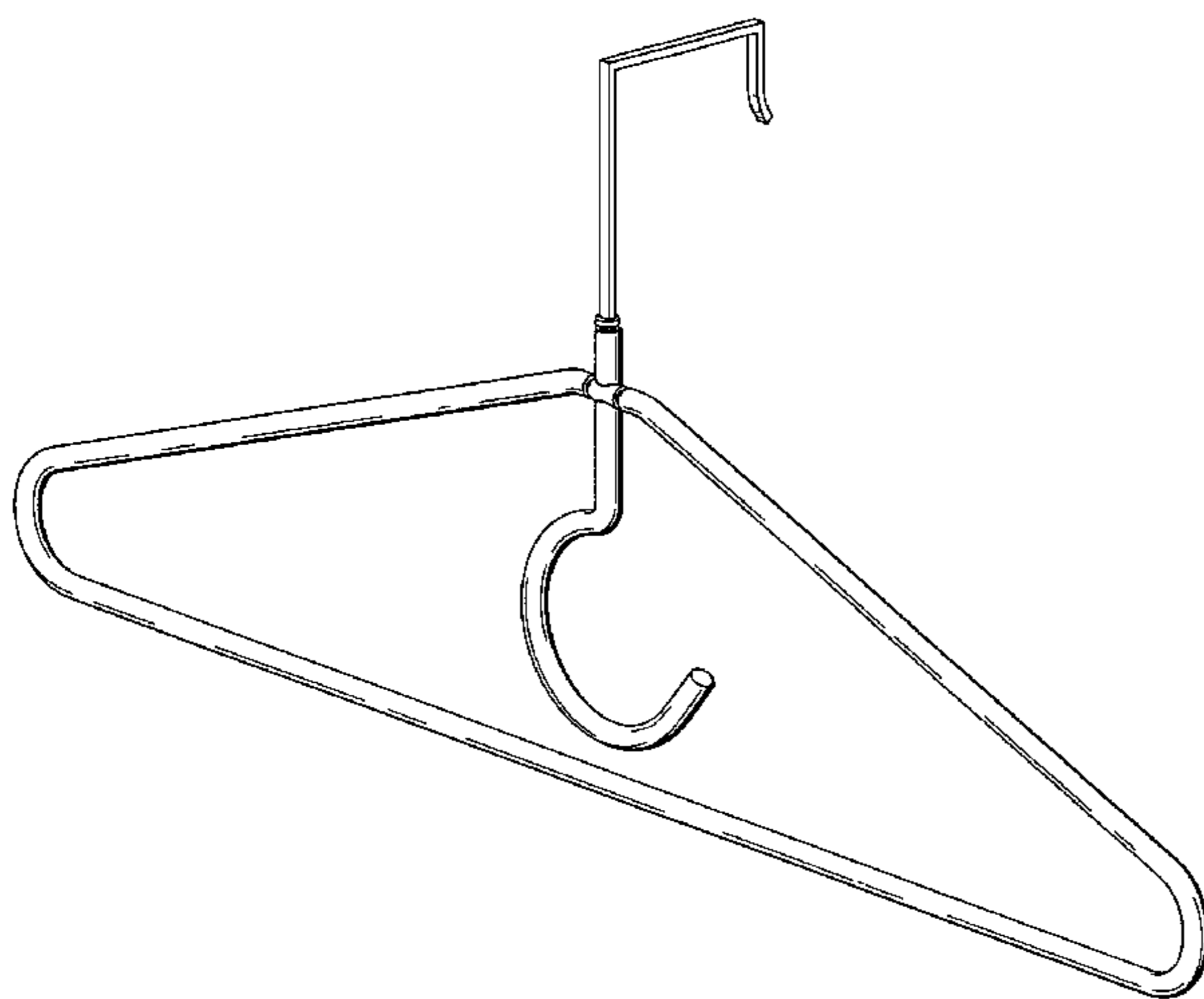
FIG. 11 is a perspective view of FIG. 1 shown in environmental use; and,

FIG. 12 is a perspective view of FIG. 3 shown in environmental use.

The clothing, door, door frame, closet rod and traditional hangers shown in dashed lines in FIGS. 11 and 12 are for illustrative purposes only and form no part of my claimed design.

The broken lines shown represent unclaimed subject matter and form no part of the claimed design.

1 Claim, 6 Drawing Sheets



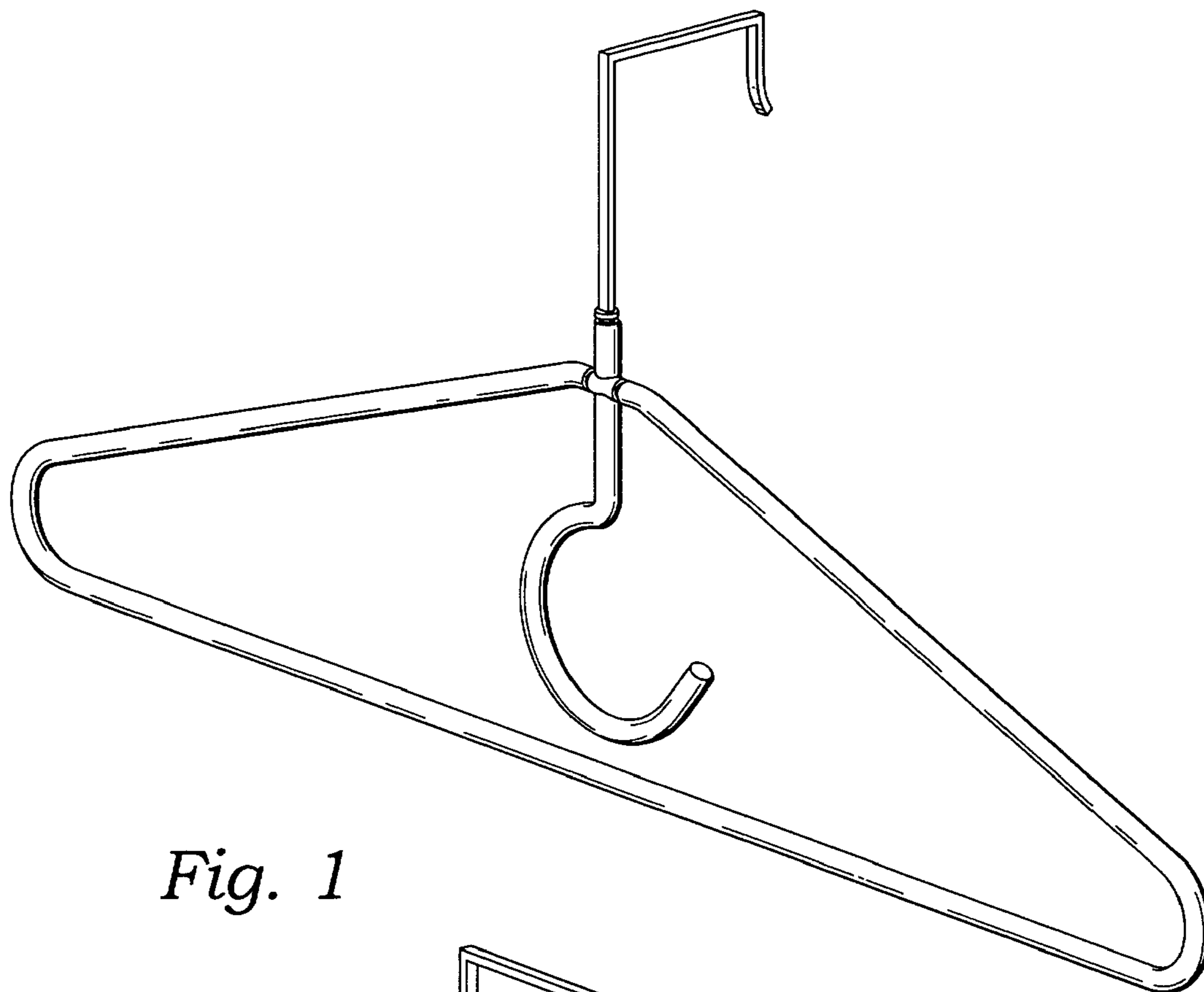


Fig. 1

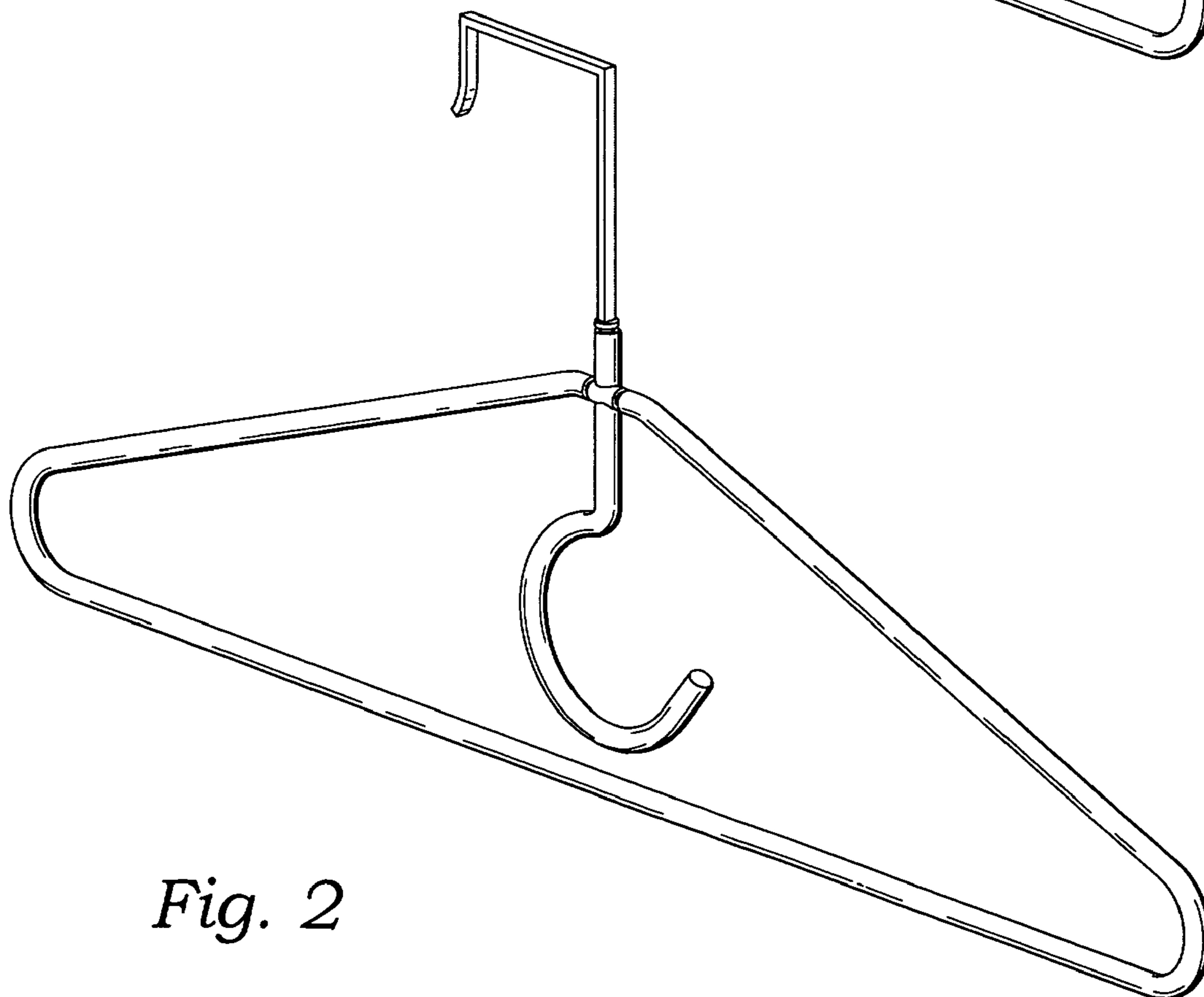


Fig. 2

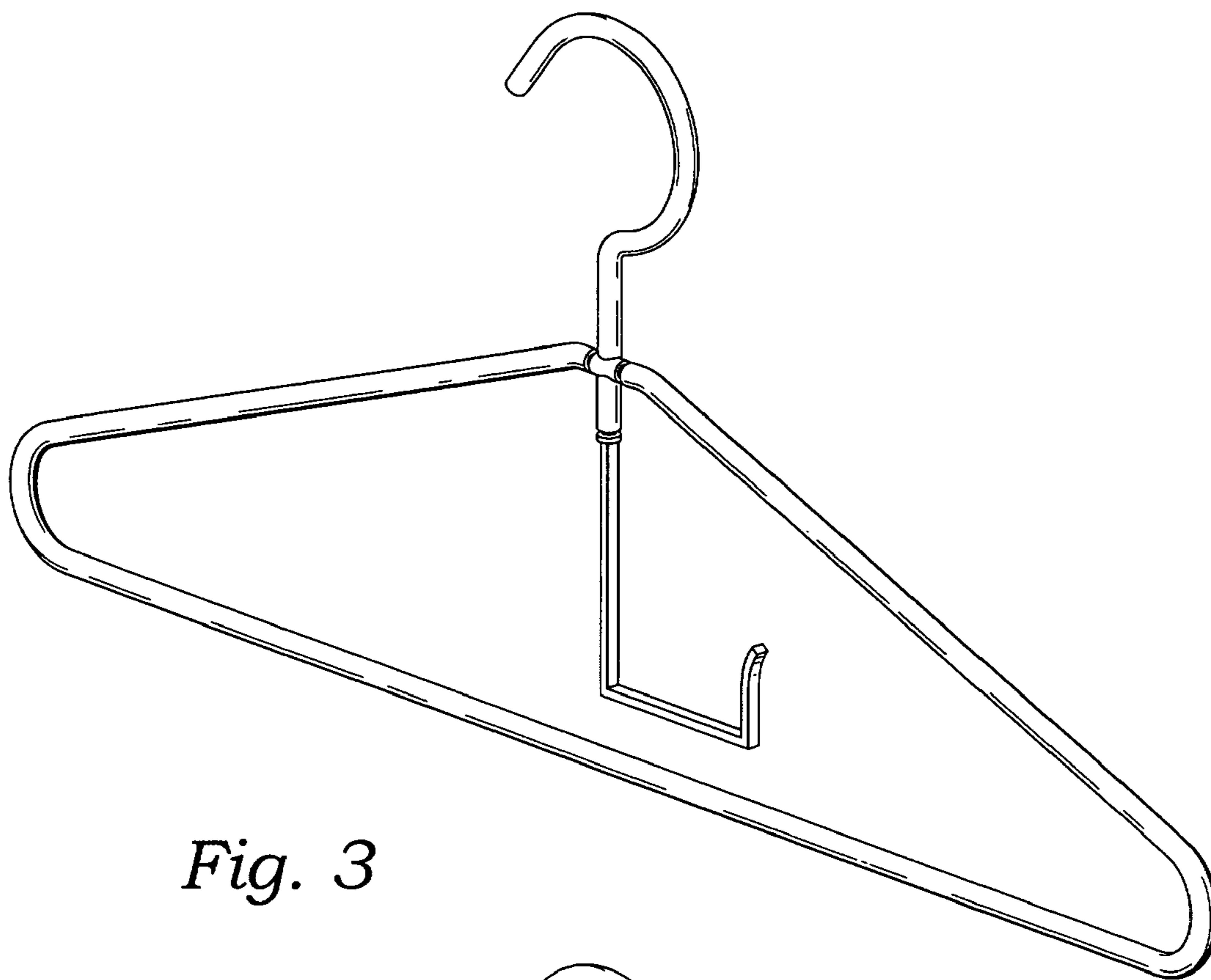


Fig. 3

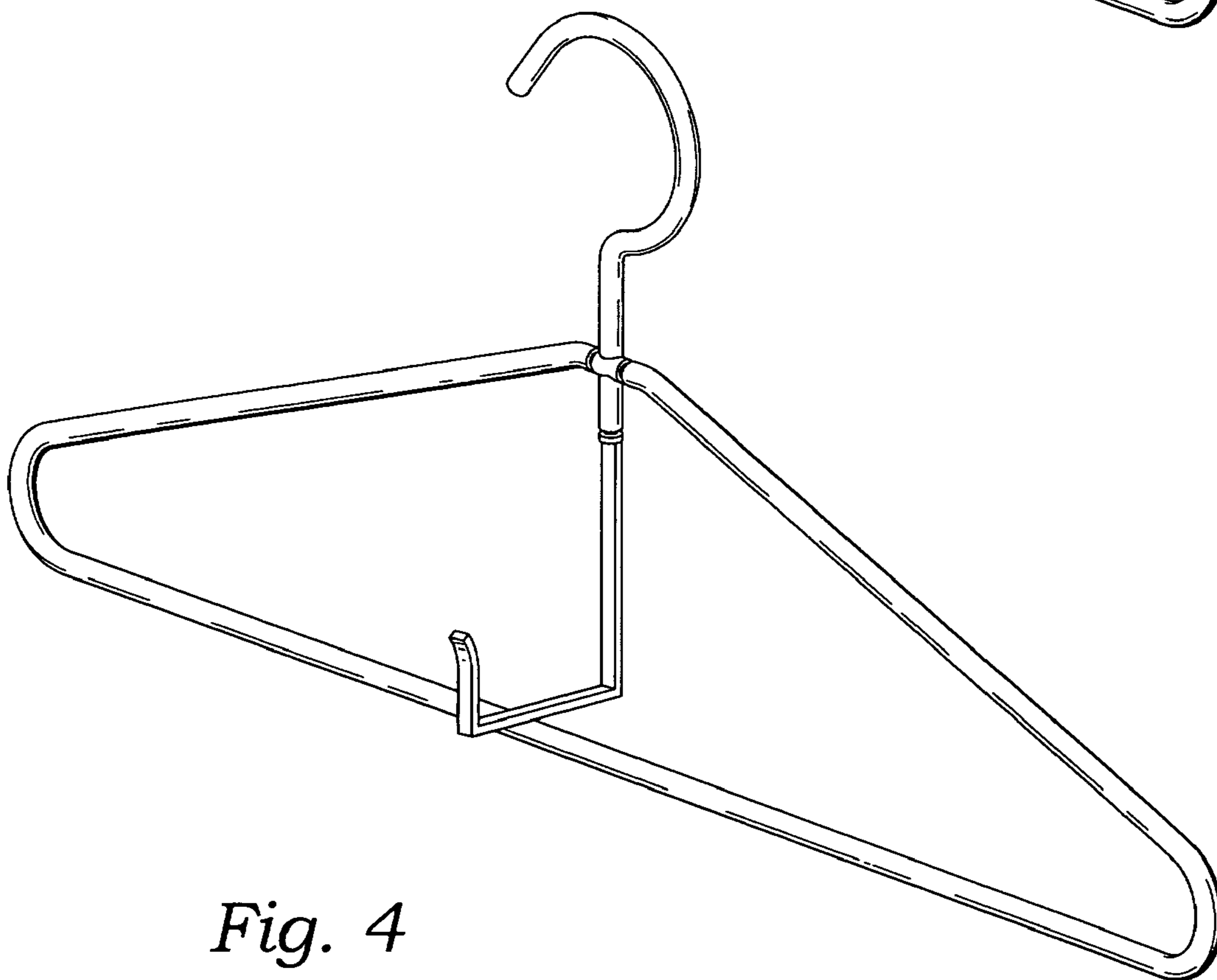


Fig. 4

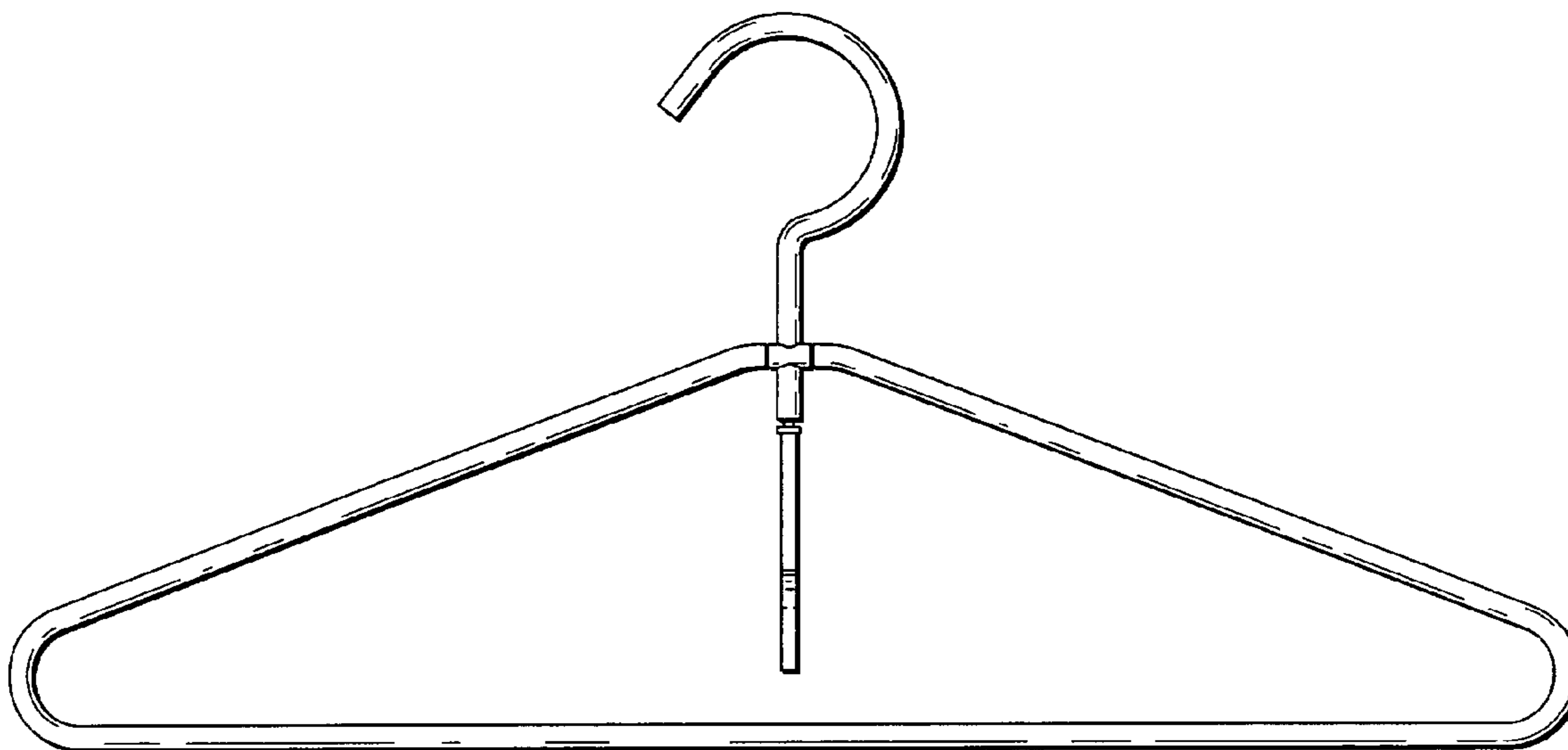


Fig. 5

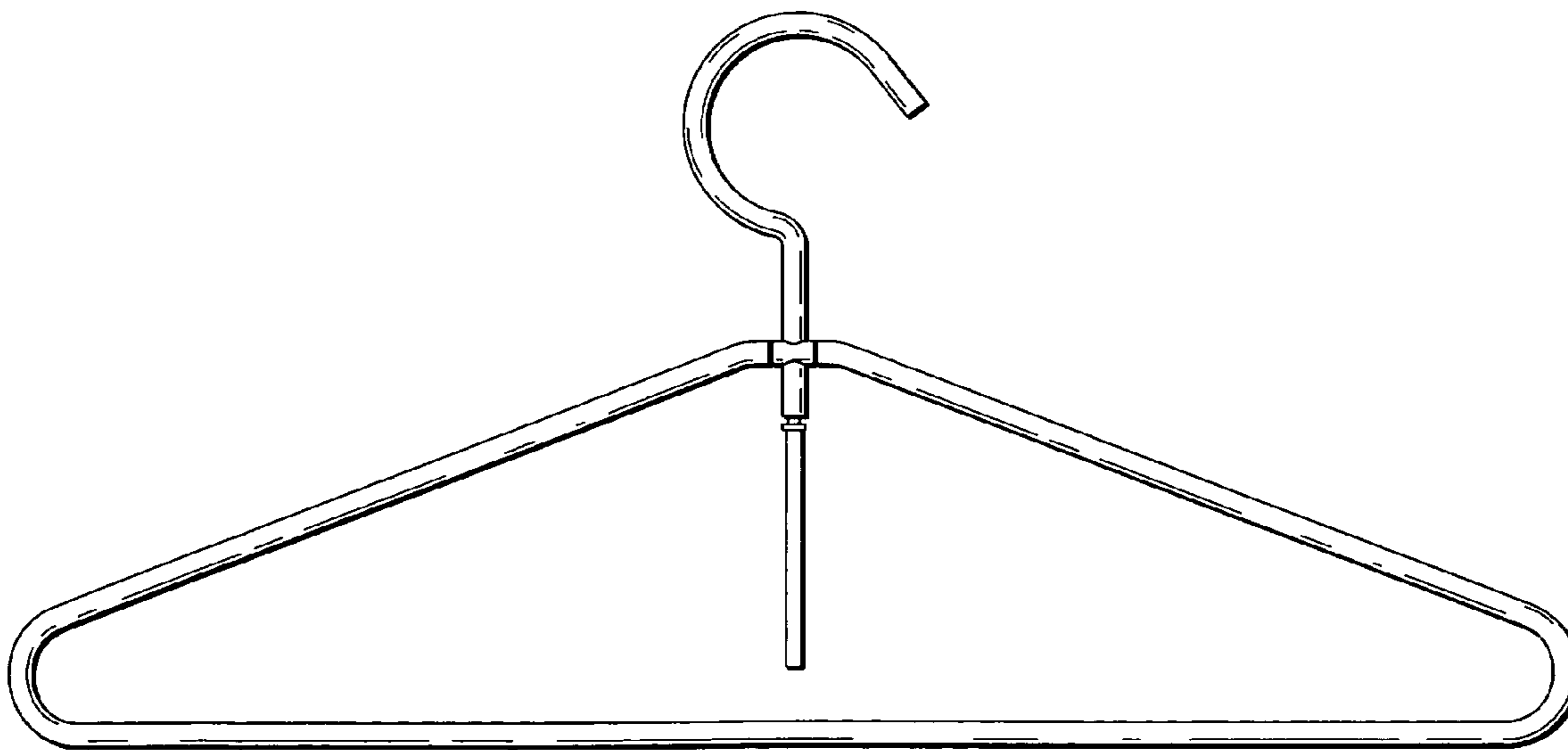


Fig. 6

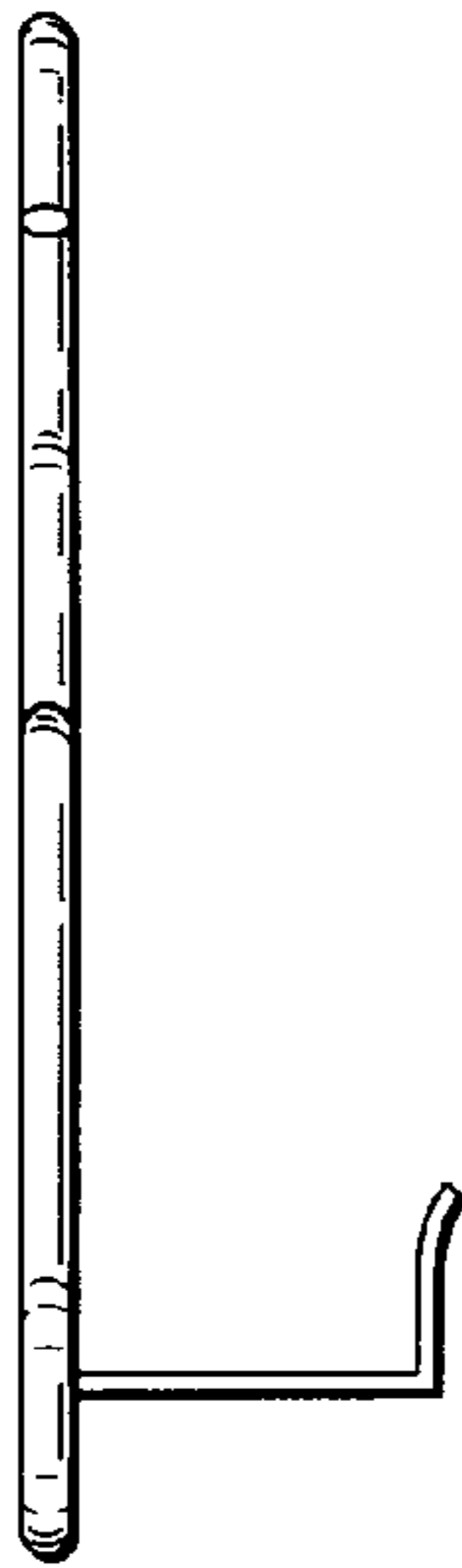


Fig. 7

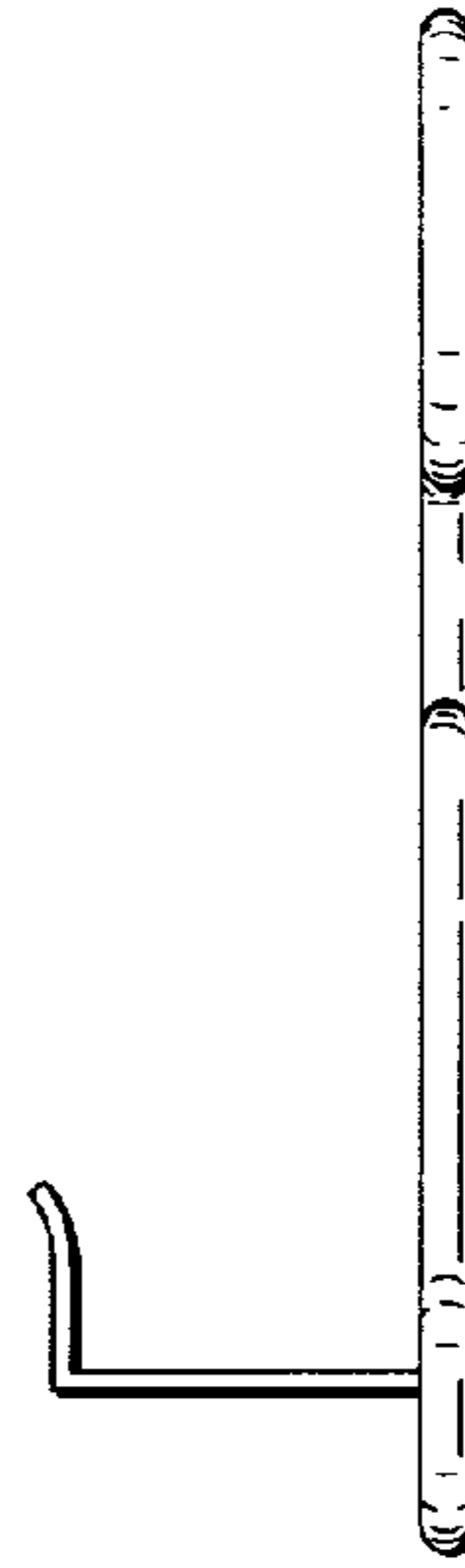


Fig. 8

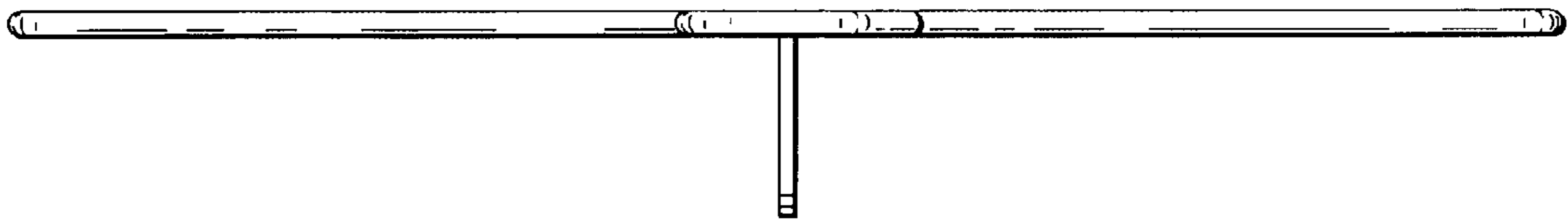


Fig. 9

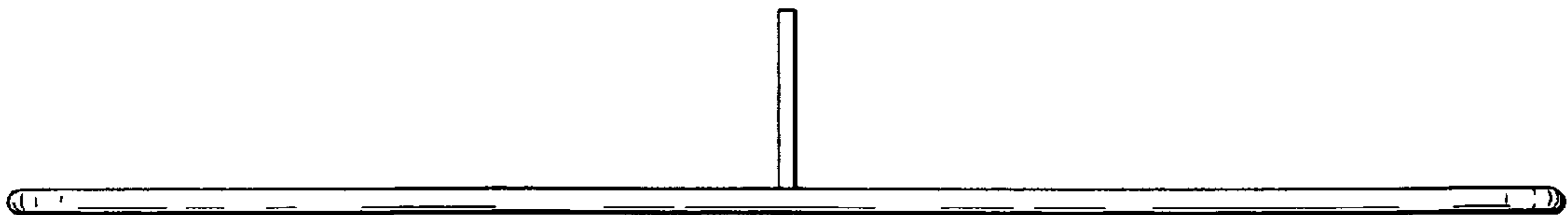


Fig. 10

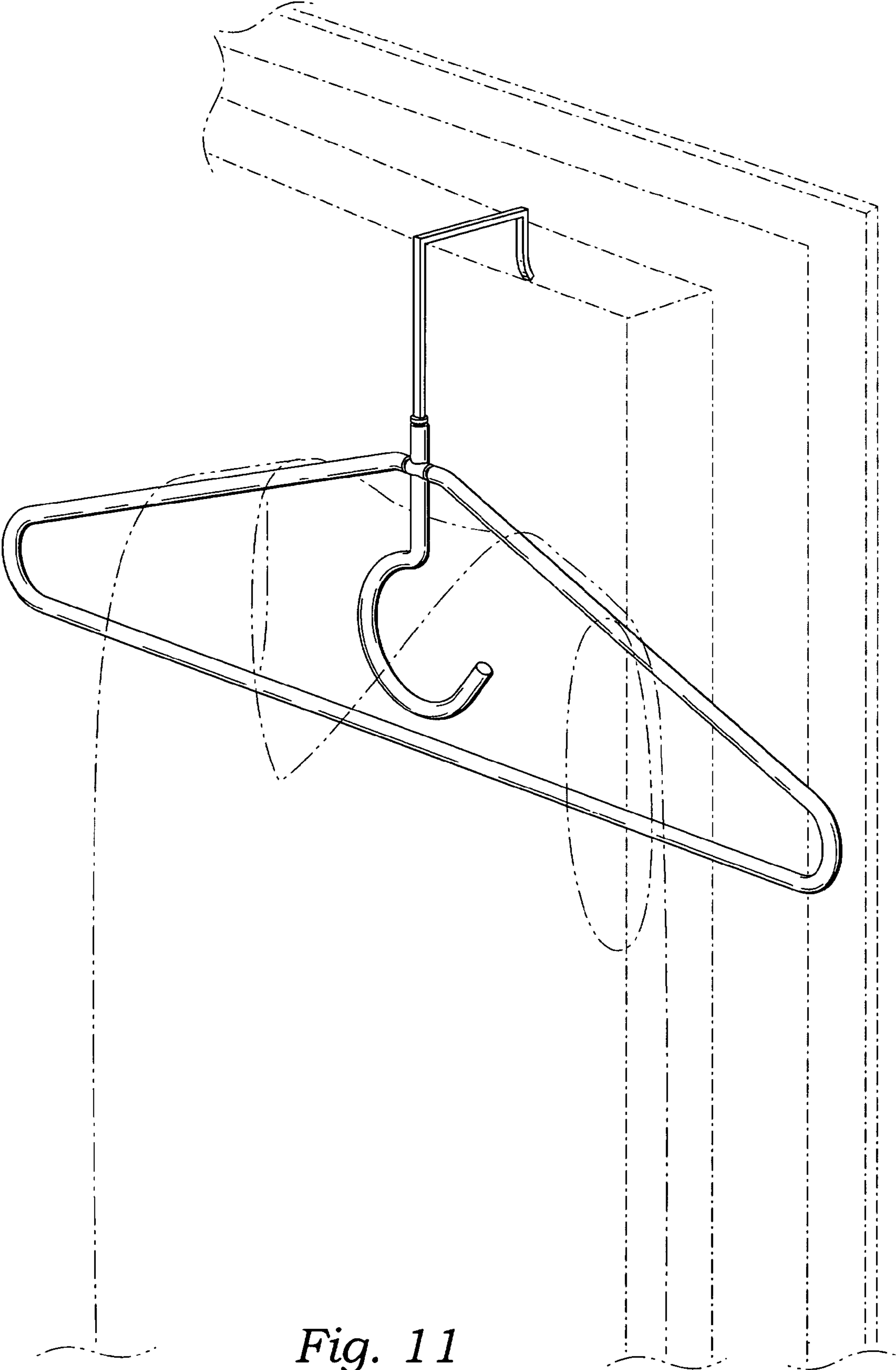


Fig. 11

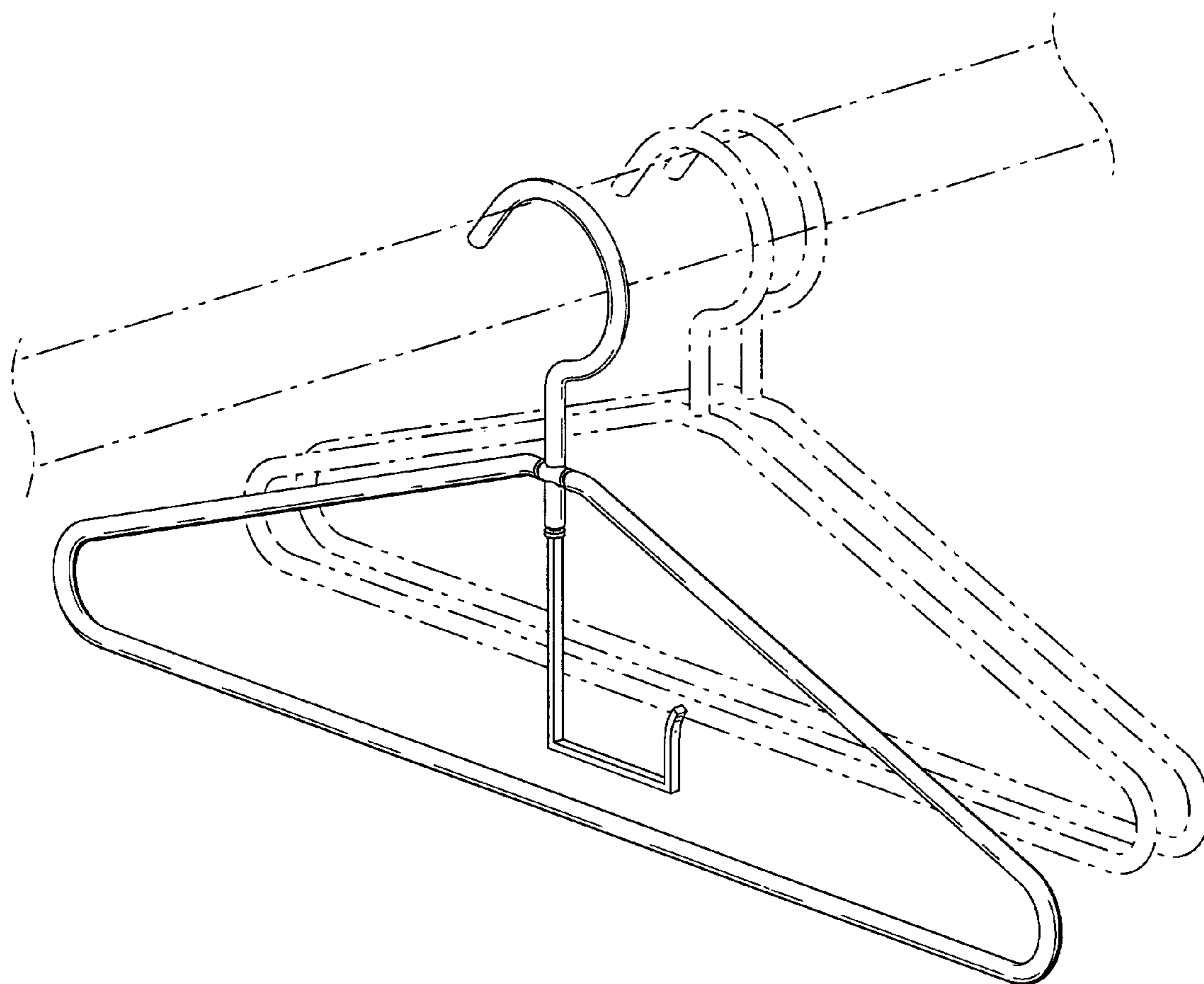


Fig. 12