



US00D645255S

(12) **United States Design Patent**
Schouten

(10) **Patent No.:** **US D645,255 S**

(45) **Date of Patent:** **** Sep. 20, 2011**

(54) **POLE FOR AUTOMOTIVE CLEANING
DEVICE**

(75) Inventor: **Pieter Schouten**, Berkeley, CA (US)

(73) Assignee: **Carrand Companies, Inc.**, Compton,
CA (US)

(**) Term: **14 Years**

(21) Appl. No.: **29/325,485**

(22) Filed: **Oct. 1, 2008**

(51) **LOC (9) Cl.** **04-01**

(52) **U.S. Cl.** **D4/114**

(58) **Field of Classification Search** D4/114,
D4/127, 132, 134, 138; D28/7, 63; D32/45,
D32/51; 15/143.1, 159.1, 160, 186, 187;
601/136-138, 154, 160; 401/6, 136, 137,
401/187, 188 R, 189, 190, 268, 270, 274,
401/278, 279, 282, 291

See application file for complete search history.

(56) **References Cited**

U.S. PATENT DOCUMENTS

D222,027	S	*	9/1971	Craven	D4/138
D294,087	S	*	2/1988	Clivio et al.	D4/138
4,793,646	A	*	12/1988	Michaud, Jr.	294/19.1
D306,924	S	*	3/1990	Shapton	D32/45
D311,645	S	*	10/1990	Warwick et al.	D4/115
D331,321	S	*	12/1992	Gebaurer et al.	D4/115
D331,499	S	*	12/1992	Tsai	D4/115
5,220,707	A	*	6/1993	Newman et al.	16/429
D337,205	S	*	7/1993	Tsai	D4/115
D364,715	S	*	11/1995	Amram et al.	D32/35
D376,698	S	*	12/1996	Mikuljan	D4/132
5,940,933	A	*	8/1999	Chang	16/439
D428,226	S	*	7/2000	Kunkler	D32/45
6,142,693	A	*	11/2000	Bruggeman et al.	401/176
D452,777	S	*	1/2002	Newman et al.	D4/138
D453,075	S	*	1/2002	Liu	D4/118

D466,389	S	*	12/2002	Clivio	D8/107
D496,532	S	*	9/2004	Hay	D4/138
D543,362	S	*	5/2007	Hall	D4/102
D560,364	S	*	1/2008	Barnes et al.	D4/118
7,350,258	B2	*	4/2008	Jones et al.	15/172
D581,675	S	*	12/2008	Murray	D4/138
D591,514	S	*	5/2009	McNeil et al.	D4/135
D597,315	S	*	8/2009	Hoffelner	D4/118
D600,022	S	*	9/2009	Busschaert	D4/102
2009/0249569	A1	*	10/2009	Schouten	15/144.4

* cited by examiner

Primary Examiner — Cathron Brooks

Assistant Examiner — Barbara Fox

(74) *Attorney, Agent, or Firm* — George R. McGuire;
Frederick J.M. Price; Bond Scheoneck & King

(57) **CLAIM**

The ornamental design for a pole for automotive cleaning device, as shown and described.

DESCRIPTION

The present application claims priority to Applicant's co-pending U.S. patent application Ser. No. 12/099,645, filed Apr. 8, 2008, incorporated herein by reference.

FIG. 1 is a perspective view of a pole for an automotive cleaning device showing the new design, the portions shown in phantom being for environmental purposes only and forming no part of the claimed design;

FIG. 2 is a top plan view thereof;

FIG. 3 is a side elevation view thereof, the opposite side being a mirror image;

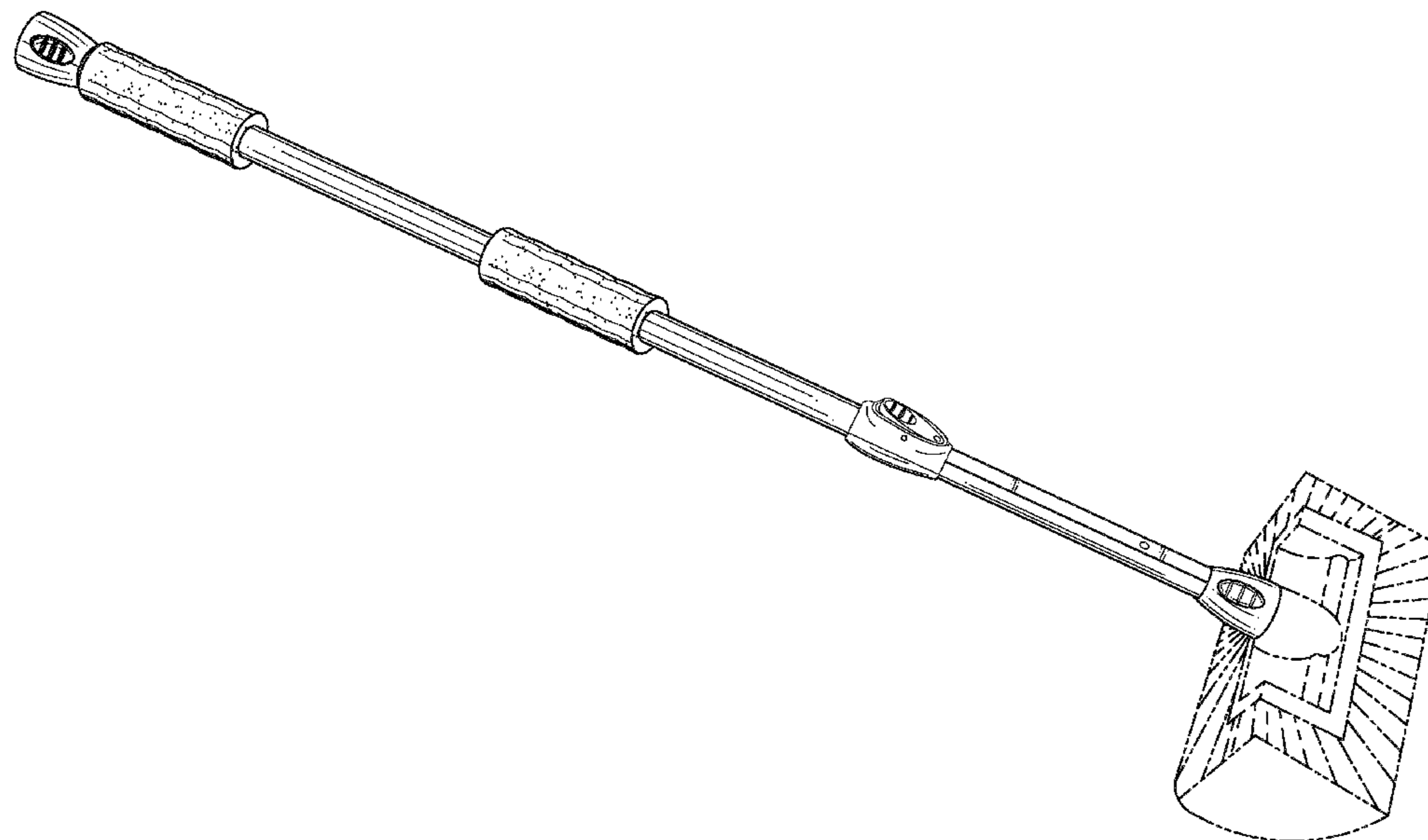
FIG. 4 is a bottom plan view thereof;

FIG. 5 is an end elevation view thereof; and,

FIG. 6 is a front elevation view thereof.

The pole for automotive cleaning device is shown enlarged and broken away in FIGS. 2-4 so that the enlarged scale drawings can fit on the page.

1 Claim, 2 Drawing Sheets



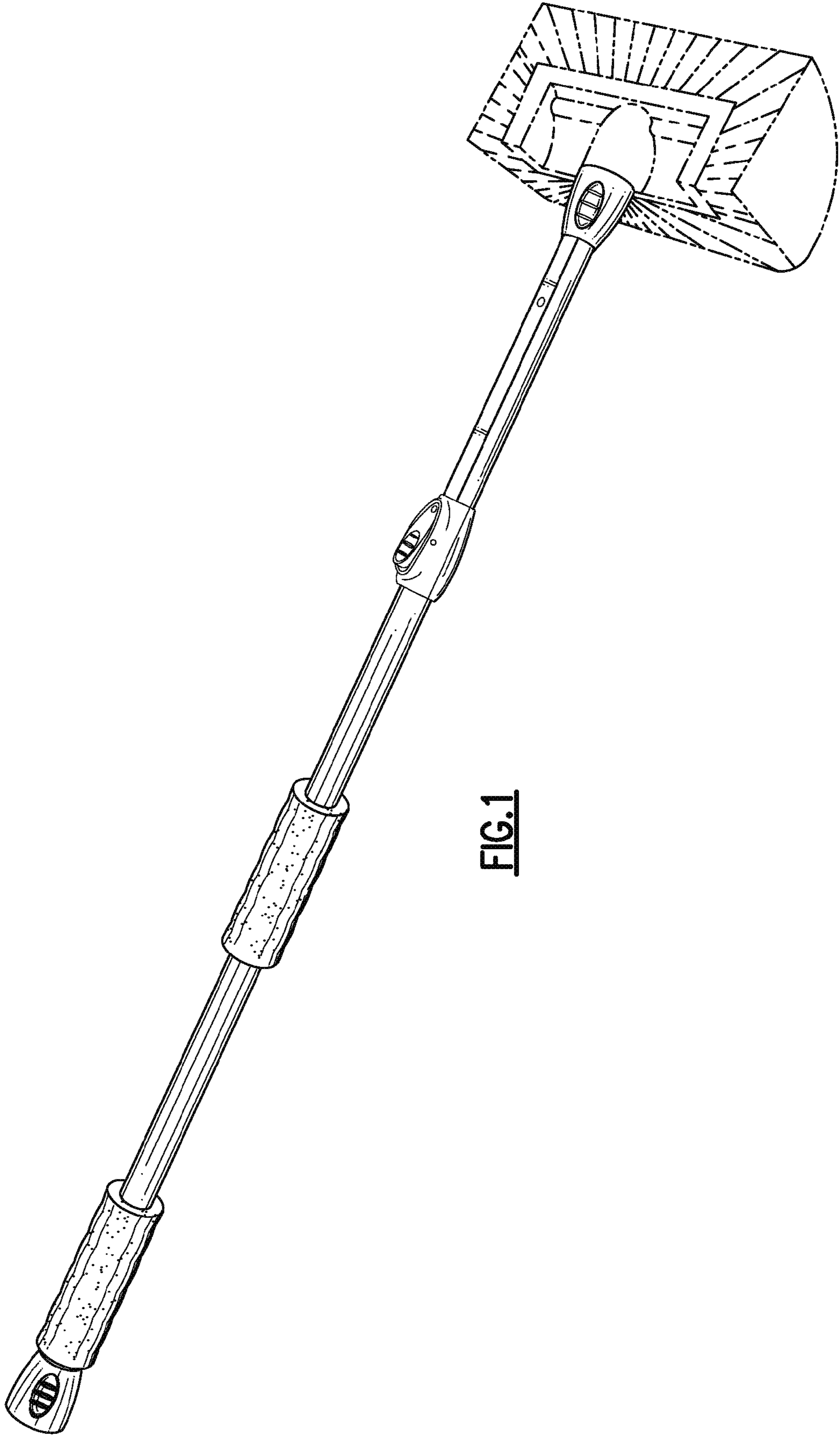


FIG. 1

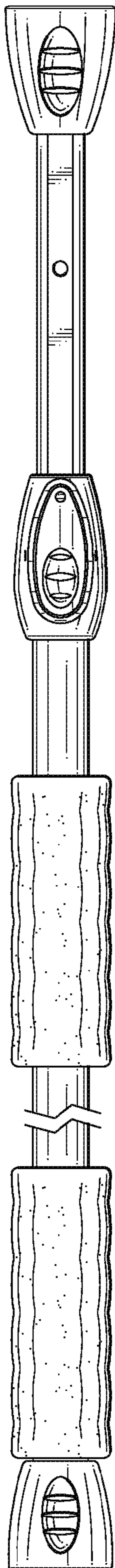


FIG. 2

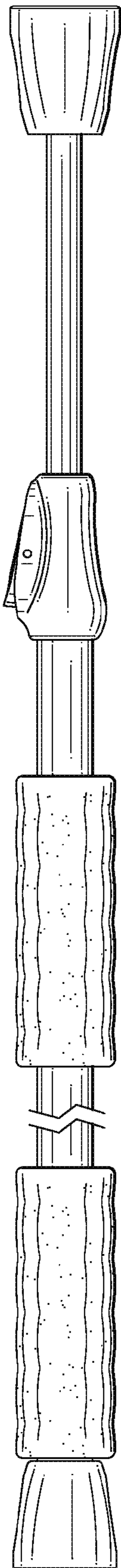


FIG. 3

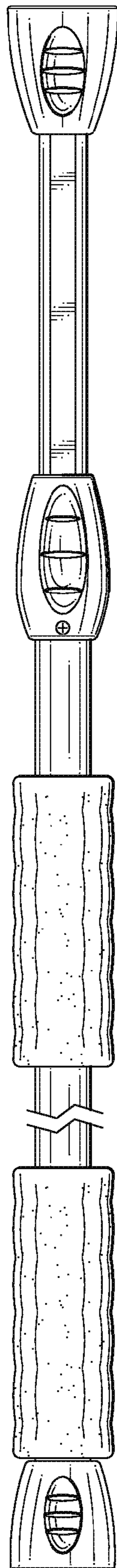


FIG. 4

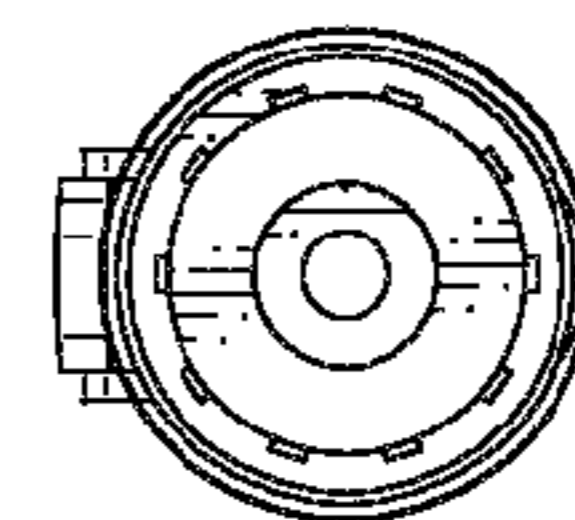


FIG. 5

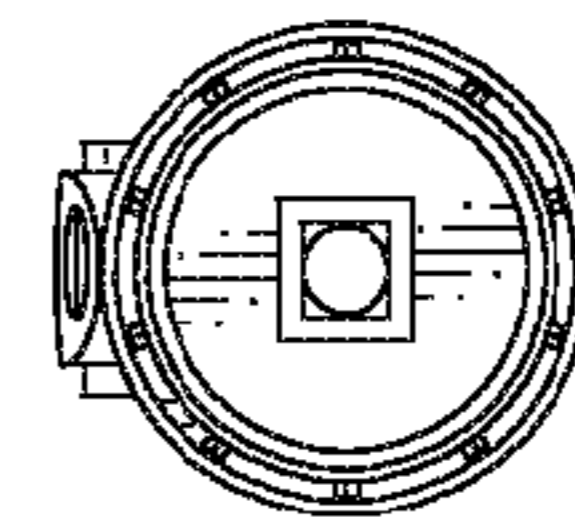


FIG. 6