



US00D645251S

(12) **United States Design Patent**
Lee

(10) **Patent No.:** **US D645,251 S**

(45) **Date of Patent:** **** Sep. 20, 2011**

(54) **COMPUTER HARD DRIVE STORAGE CASE**

(74) *Attorney, Agent, or Firm* — Sheridan Ross P.C.

(75) Inventor: **Ryan L. Lee**, Niwot, CO (US)

(73) Assignee: **Thule Organization Solutions, Inc.**,
Longmont, CO (US)

(57) **CLAIM**

The ornamental design for a computer hard drive storage case, as shown and described.

(**) Term: **14 Years**

(21) Appl. No.: **29/351,163**

DESCRIPTION

(22) Filed: **Dec. 1, 2009**

(51) **LOC (9) Cl.** **03-01**

(52) **U.S. Cl.** **D3/301**

(58) **Field of Classification Search** D3/201,
D3/203.1, 203.6, 205–206, 273, 301, 900,
D3/901; 190/100, 115; 206/223, 569–570,
206/581, 823

See application file for complete search history.

FIG. 1 is a front perspective view of the computer hard drive storage case;

FIG. 2 is a front elevation view thereof;

FIG. 3 is a top plan view thereof;

FIG. 4 is a left elevation view thereof;

FIG. 5 is a bottom plan view thereof;

FIG. 6 is a right elevation view thereof;

FIG. 7 is a rear elevation view thereof;

FIG. 8 is a perspective view of the computer hard drive storage case in an open position;

FIG. 9 is a perspective view of the storage case of another embodiment of the design, the only difference being the surface texture of various portions of the storage case;

FIG. 10 is a front elevation view thereof;

FIG. 11 is a top plan view thereof;

FIG. 12 is a left elevation view thereof;

FIG. 13 is a bottom plan view thereof;

FIG. 14 is a right elevation view thereof;

FIG. 15 is a rear elevation view thereof; and,

FIG. 16 is a perspective view of the computer hard drive storage case in an open position.

The broken lines on the exterior of the case are included for the purpose of illustrating stitching. The broken line showing of the zipper and interior surfaces are included for the purpose of illustration environment and forms no part of the claimed design.

(56) **References Cited**

U.S. PATENT DOCUMENTS

D427,764 S *	7/2000	Conway	D3/203.5
D430,393 S *	9/2000	Conway	D3/203.3
D451,674 S *	12/2001	Leins	D3/301
D489,529 S *	5/2004	Vish et al.	D3/301
D500,204 S *	12/2004	Hillman	D3/301
D512,216 S *	12/2005	Joyce	D3/203.6
D516,813 S *	3/2006	Tortorella et al.	D3/301
D588,799 S *	3/2009	Garland et al.	D3/205
D601,795 S *	10/2009	Chen et al.	D3/254

OTHER PUBLICATIONS

2007 Case Logic Catalog, p. 28.

* cited by examiner

Primary Examiner — Ian Simmons

Assistant Examiner — Charles Hanson

1 Claim, 6 Drawing Sheets

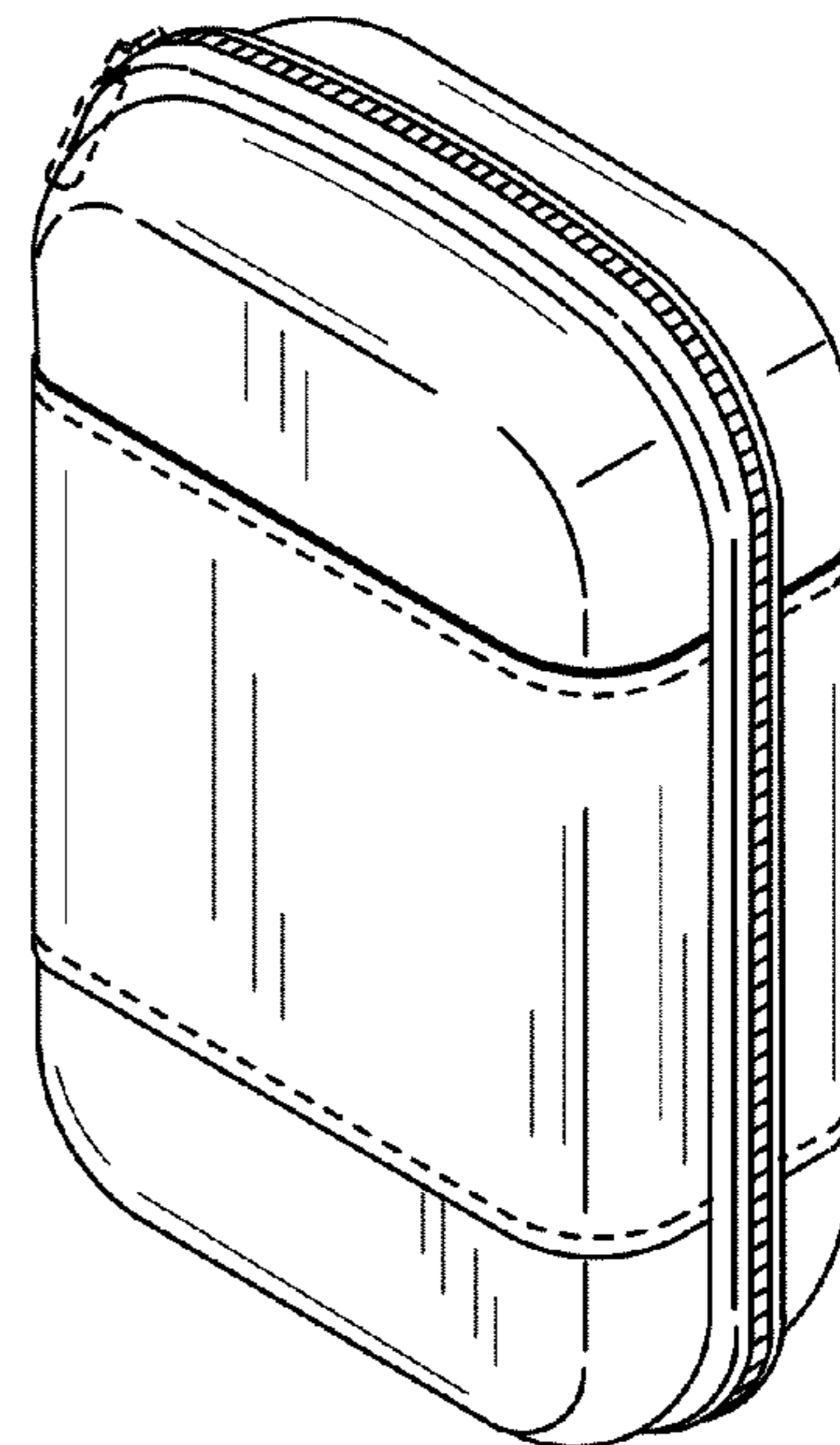
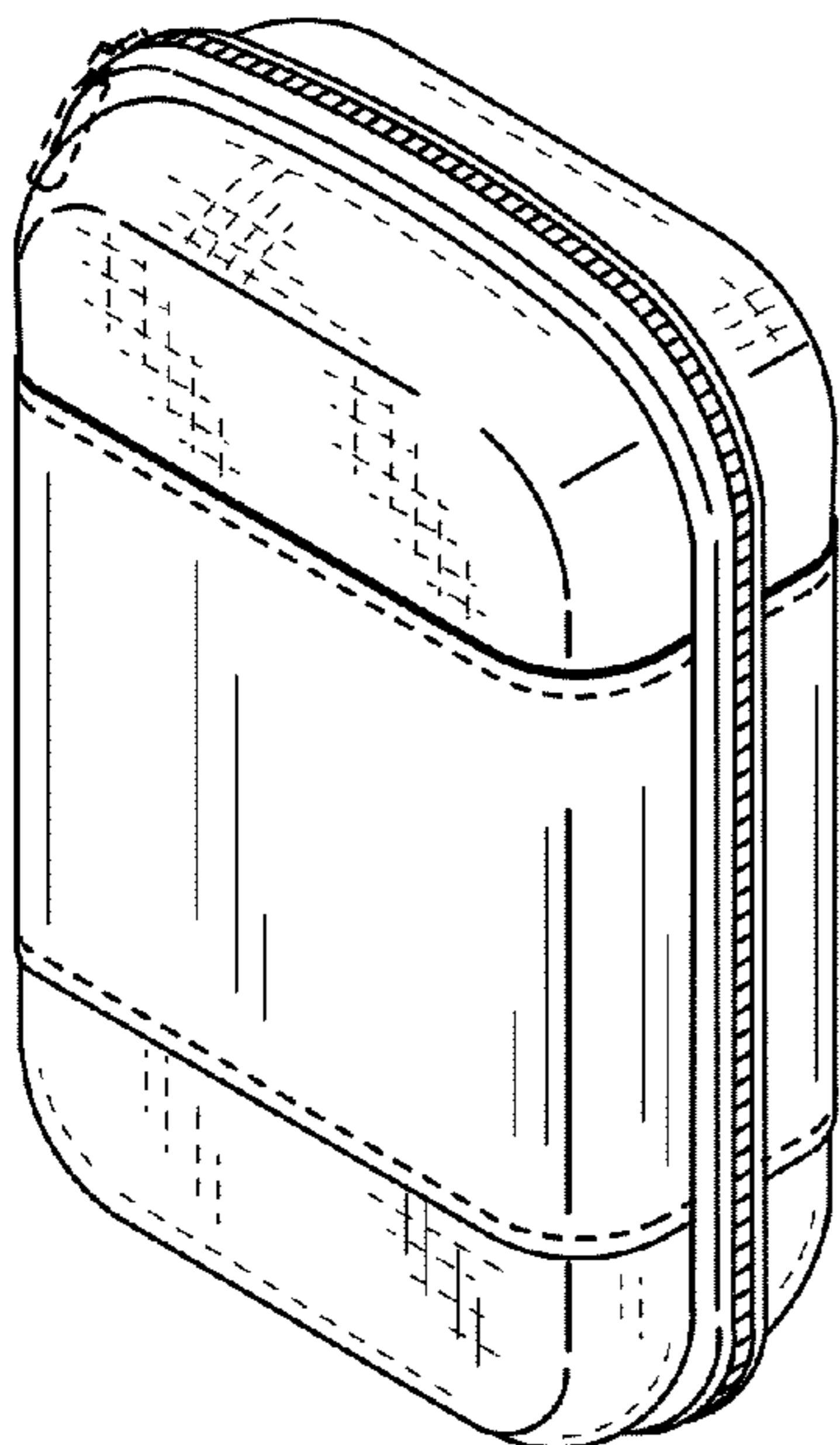


Fig. 1

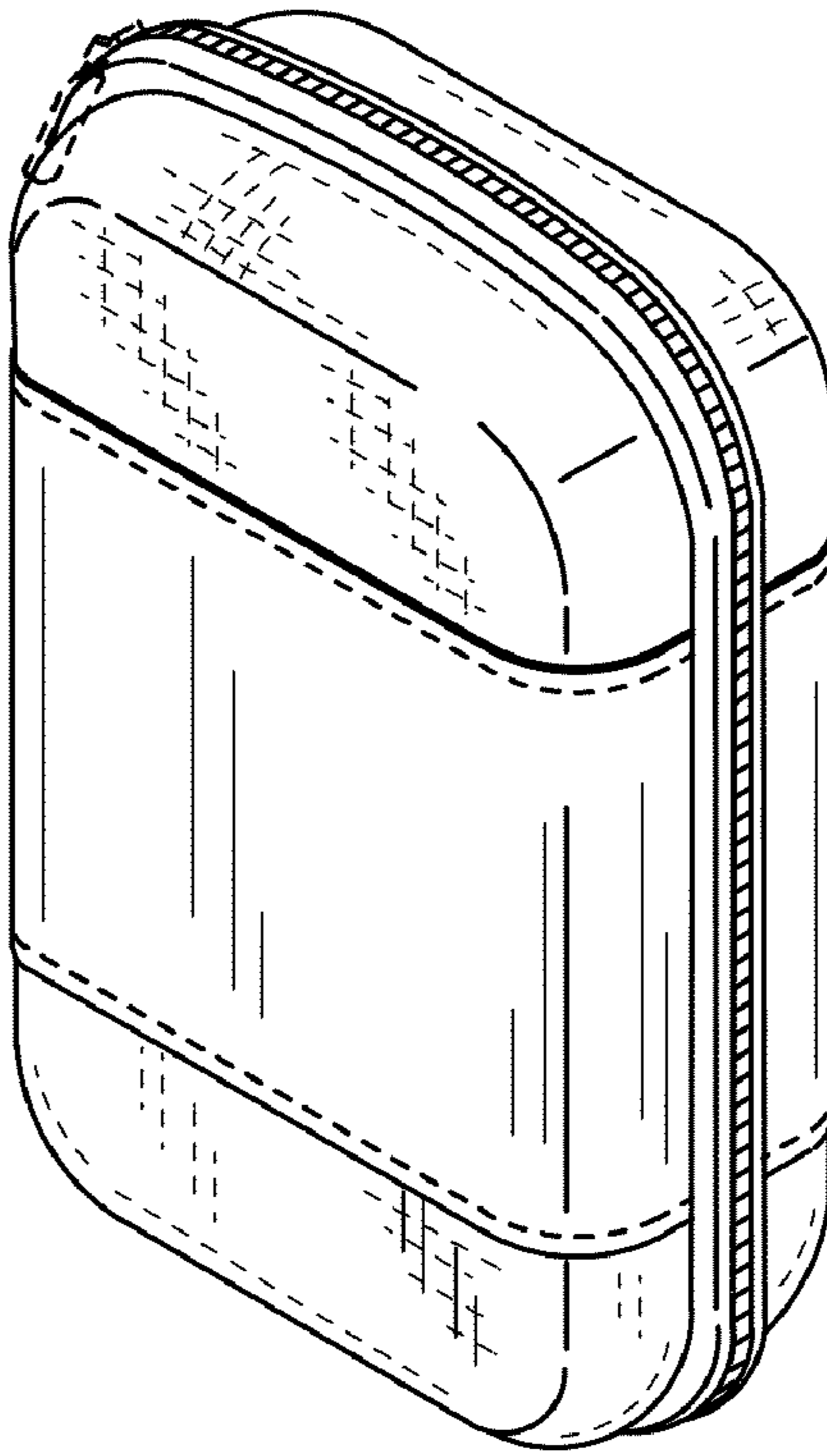


Fig. 2

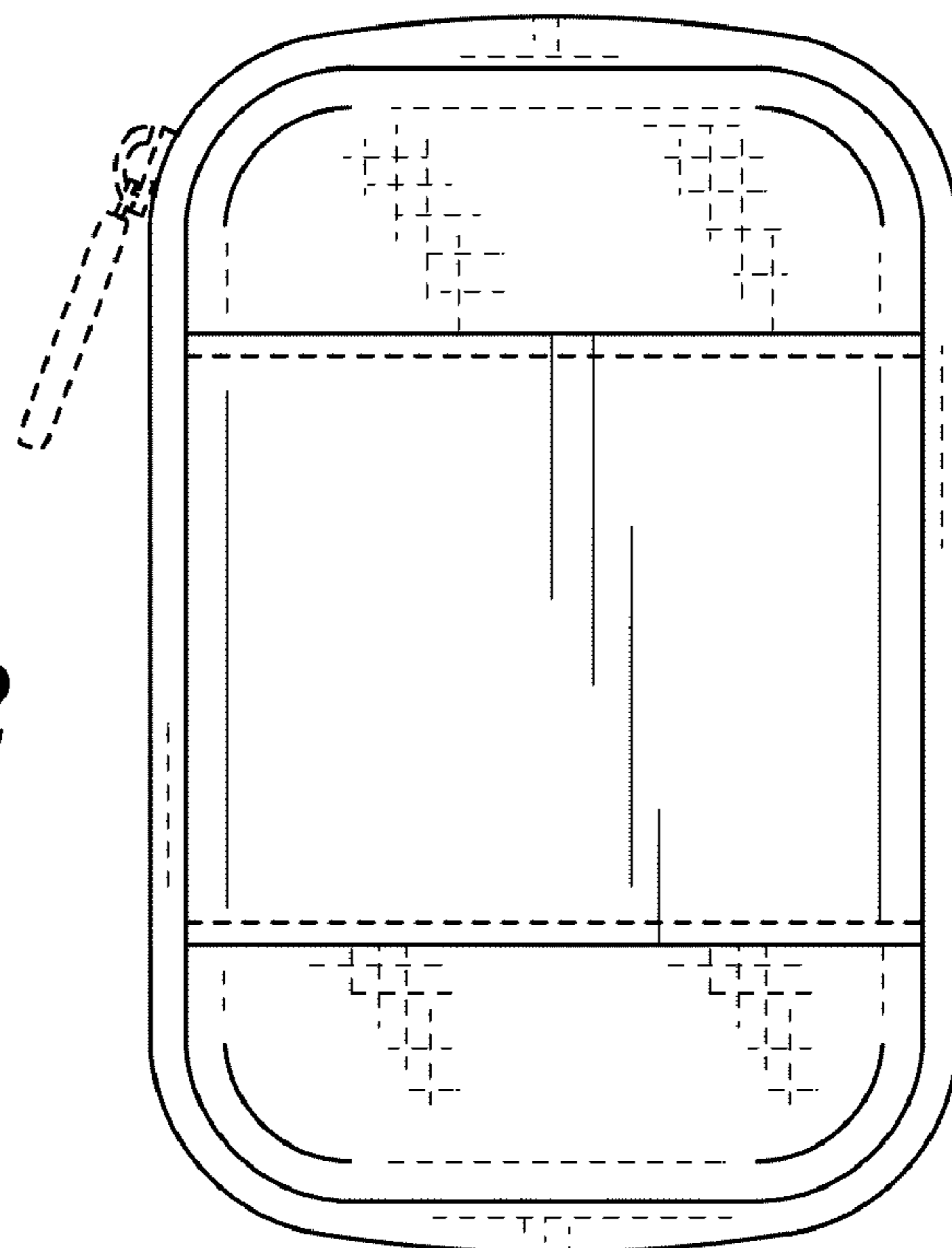


Fig. 3

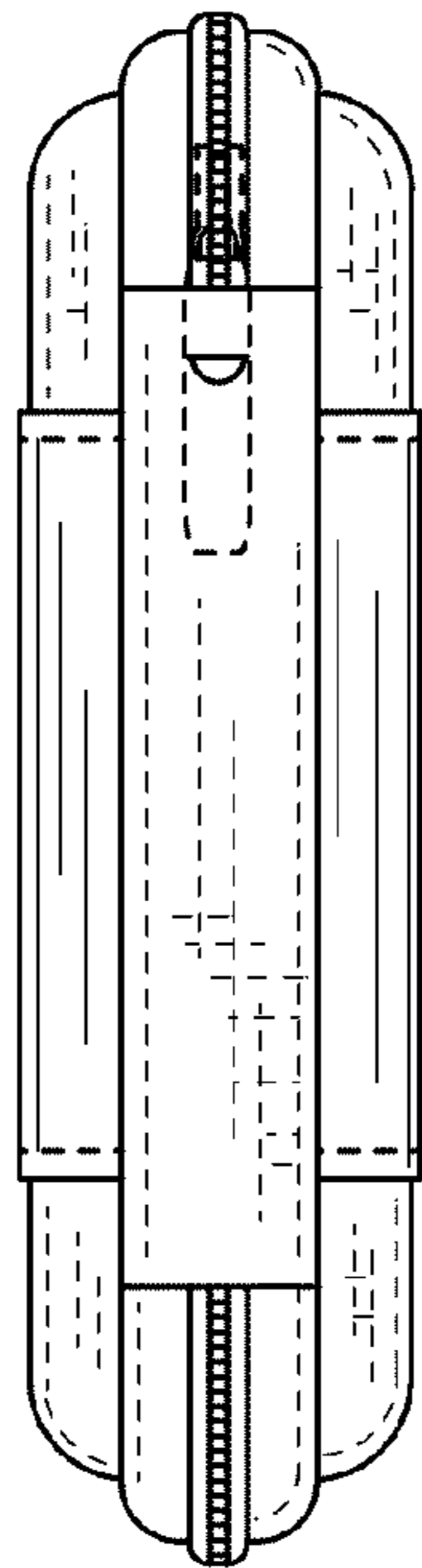
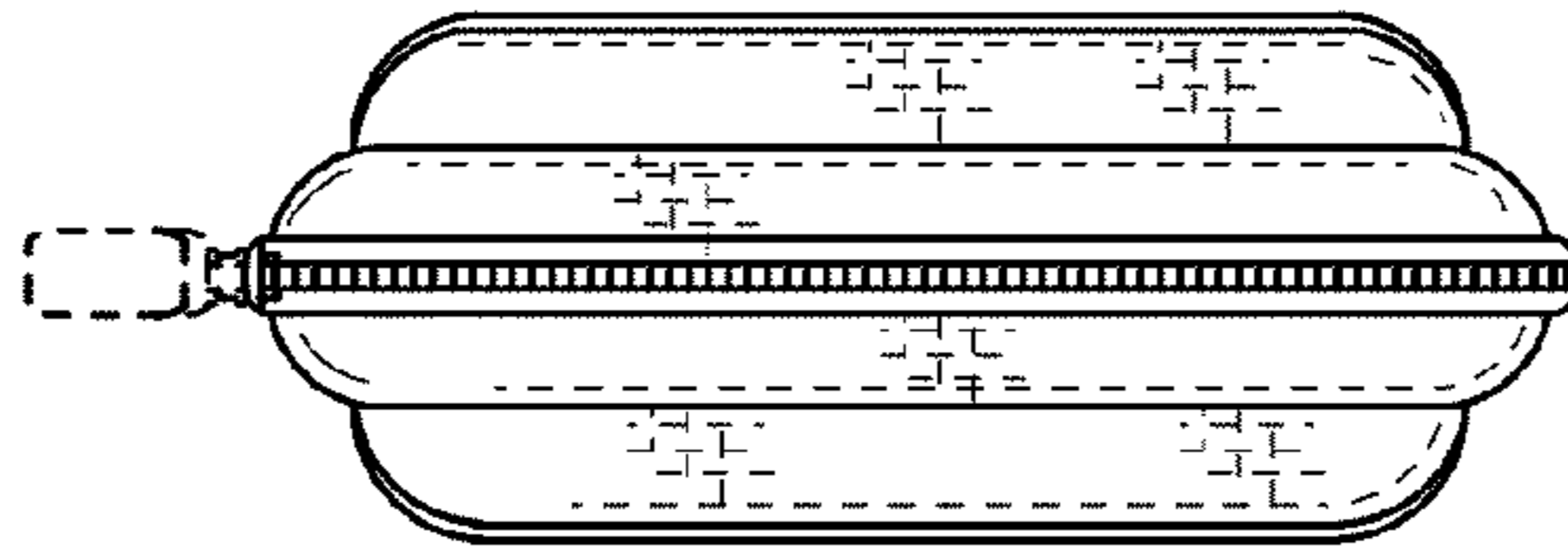


Fig. 4

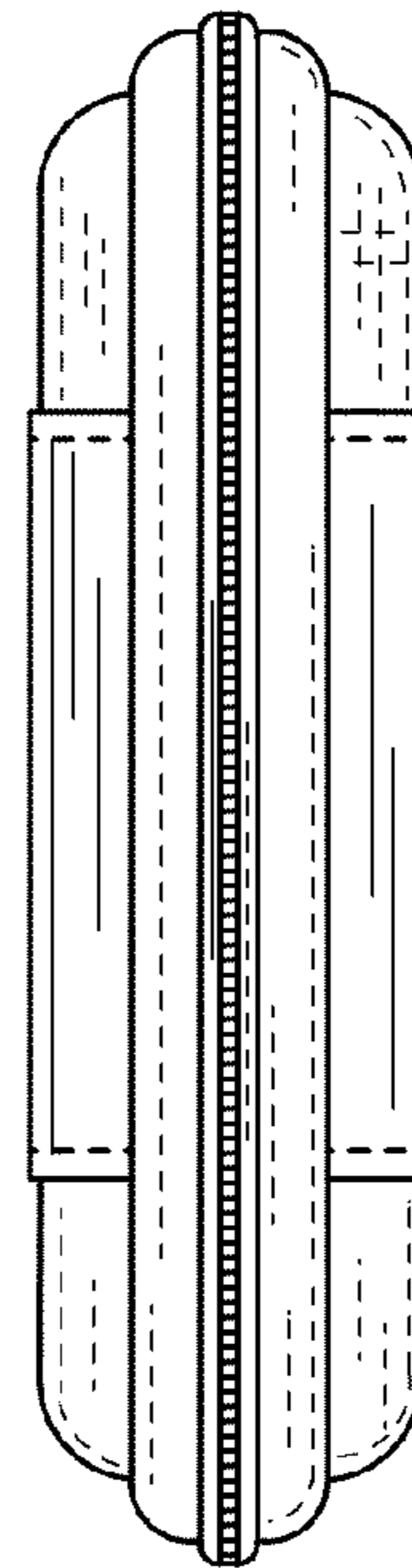


Fig. 6

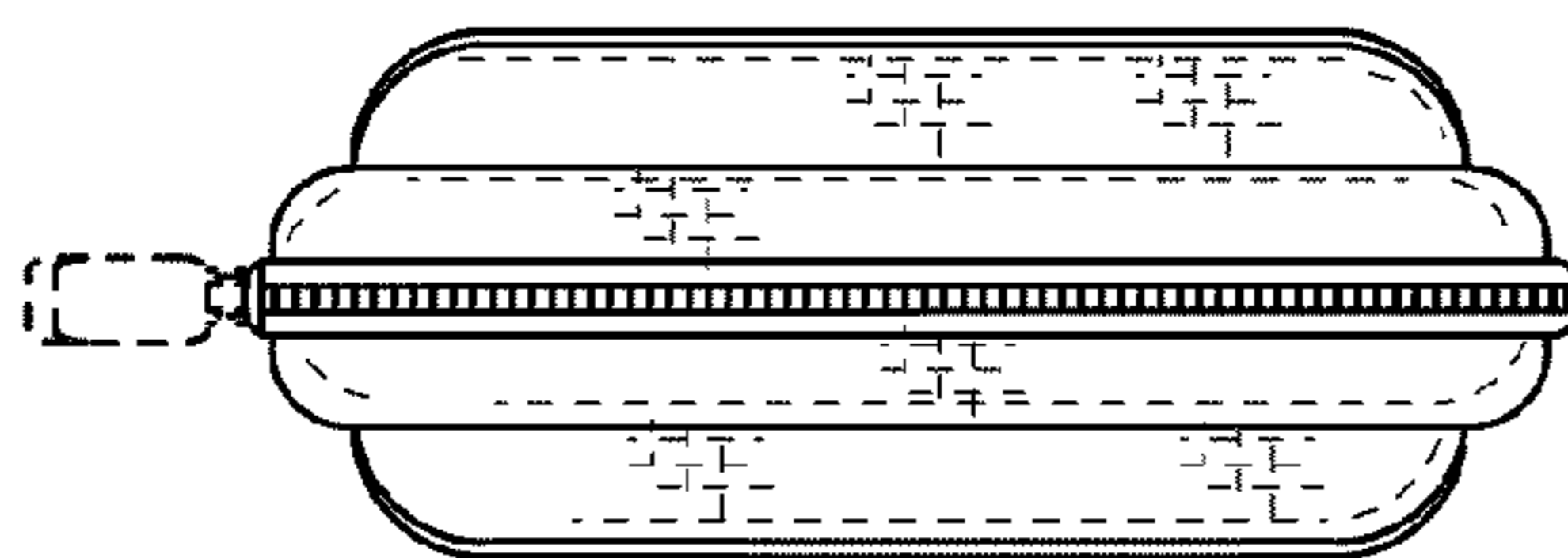


Fig. 5

Fig. 7

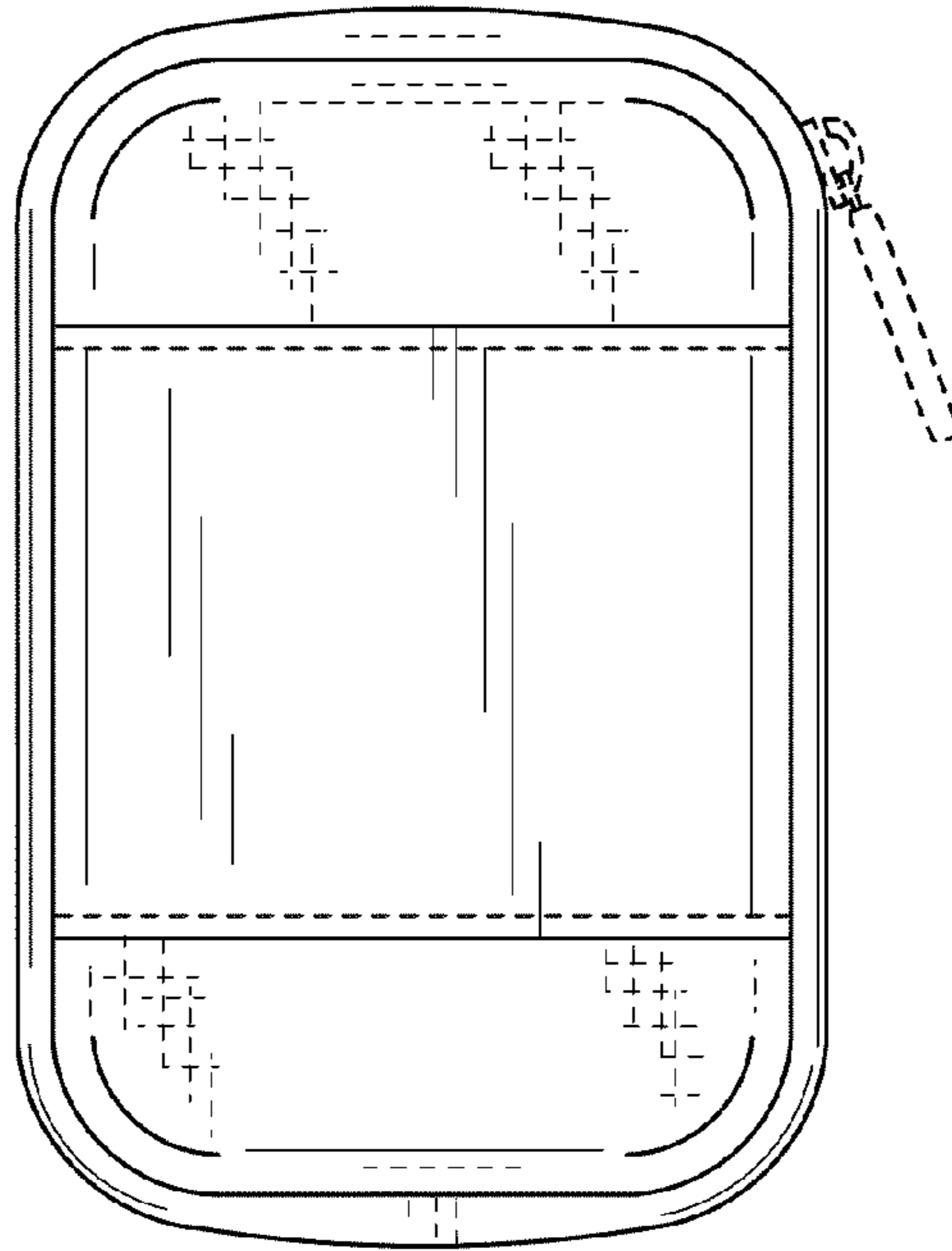


Fig. 8

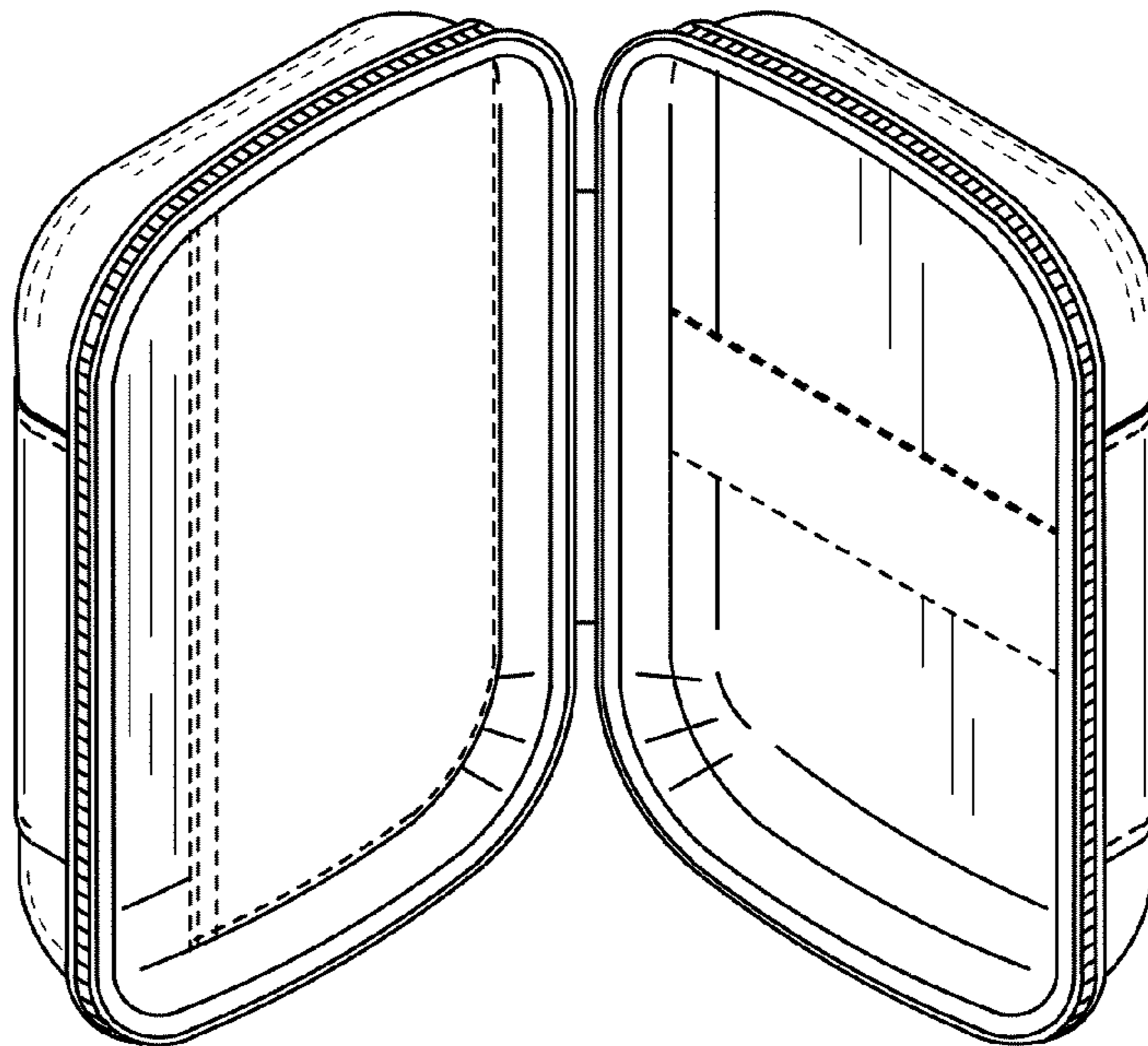


Fig. 9

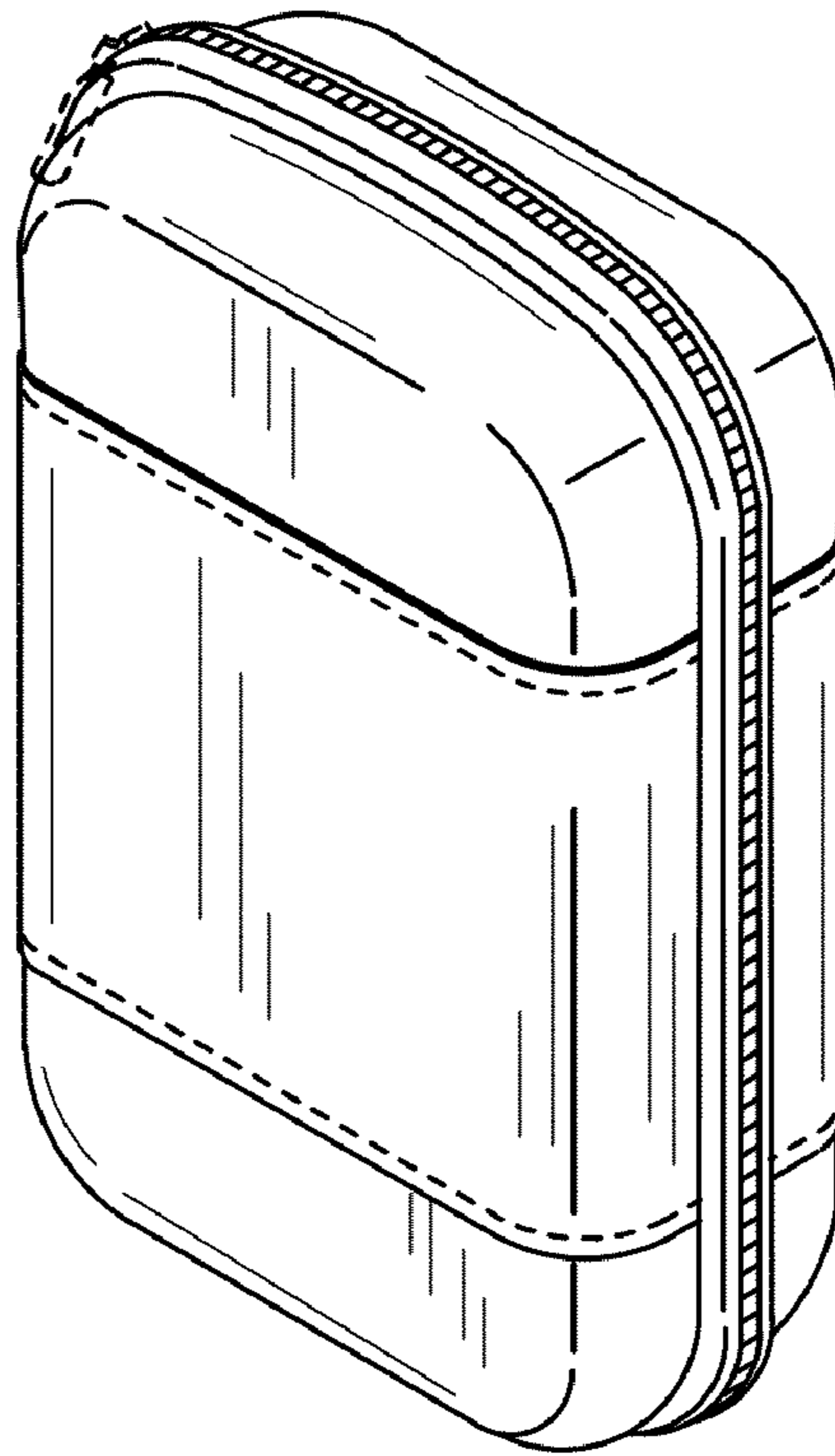


Fig. 10

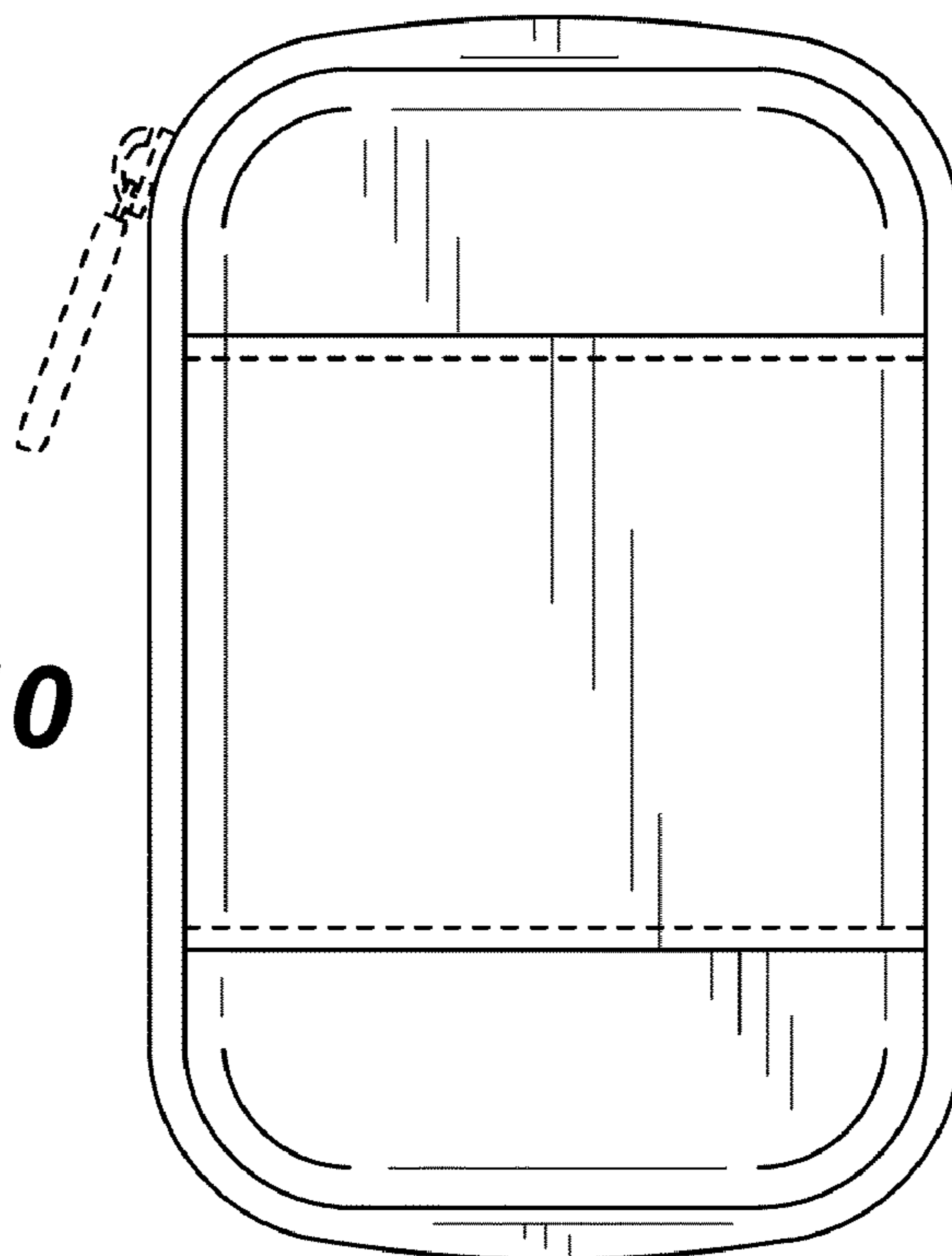


Fig. 11

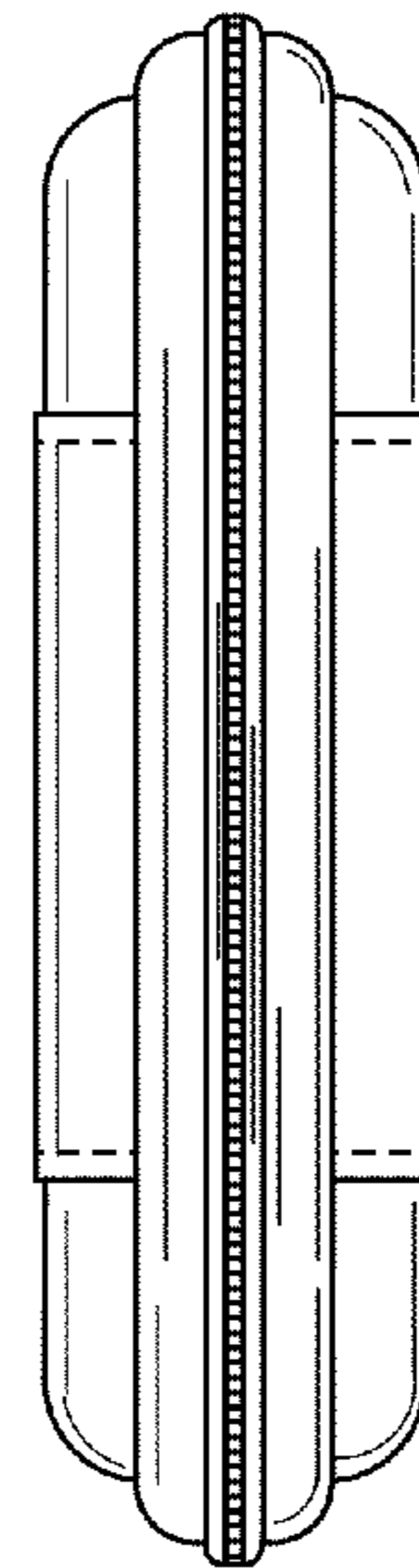
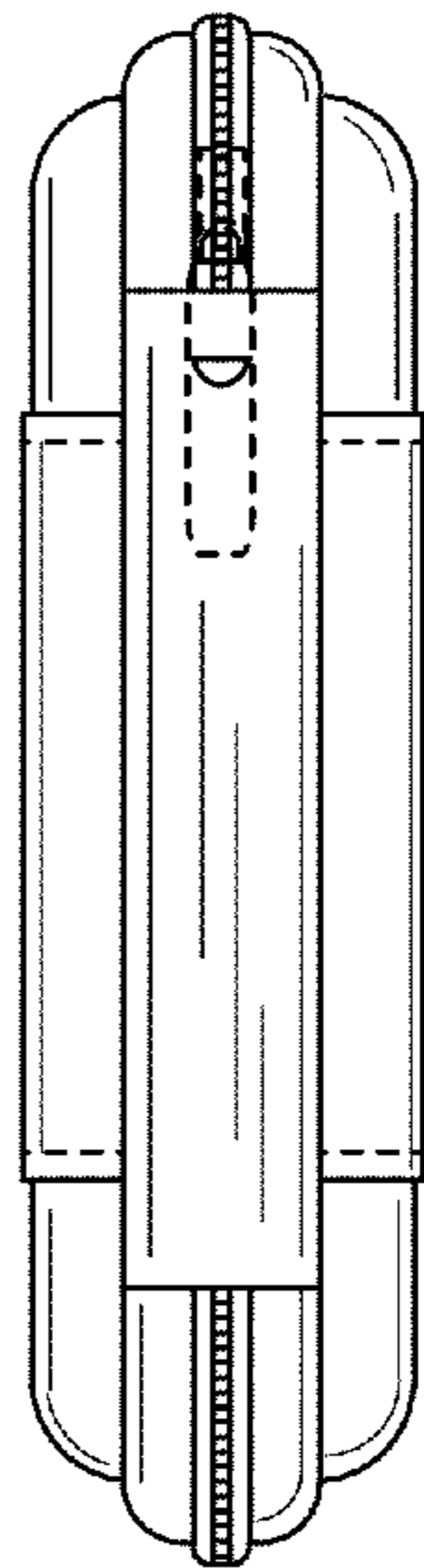


Fig. 12

Fig. 14

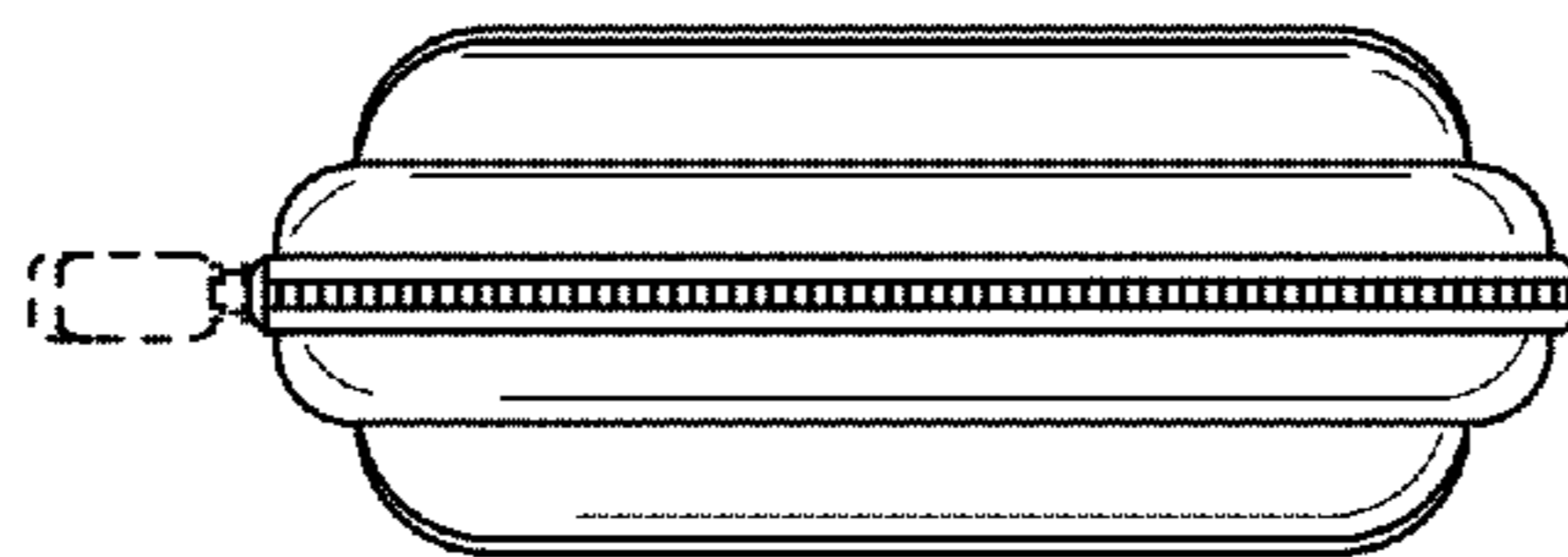


Fig. 13

Fig. 15

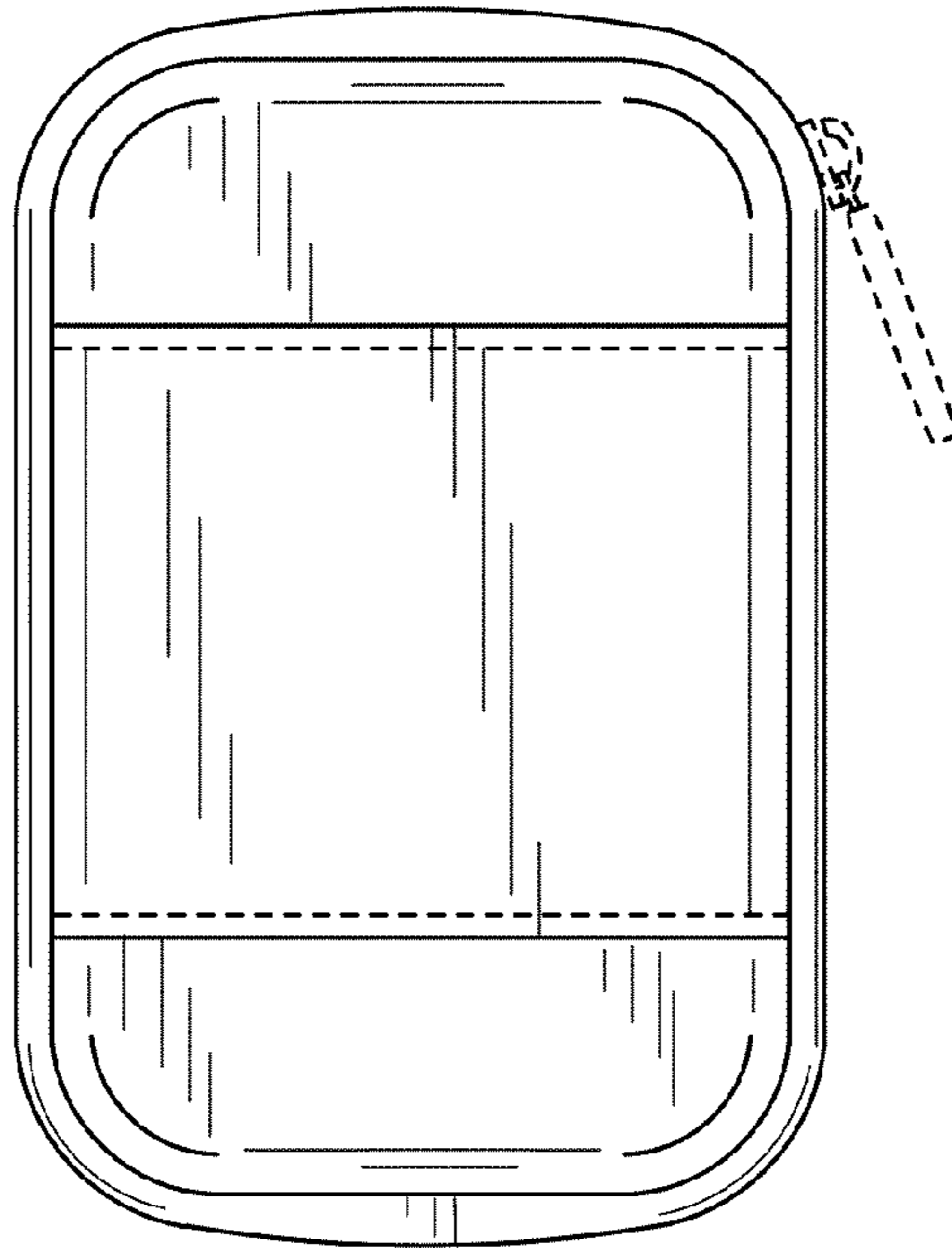


Fig. 16

