



US00D645249S

(12) **United States Design Patent**  
**Chang**

(10) **Patent No.:** **US D645,249 S**

(45) **Date of Patent:** **\*\* Sep. 20, 2011**

(54) **TOOL CABINET FRAME**

(76) Inventor: **Ting-Yu Chang**, Taichung (TW)

(\*\*) Term: **14 Years**

(21) Appl. No.: **29/383,738**

(22) Filed: **Jan. 21, 2011**

(51) **LOC (9) Cl.** ..... **03-01**

(52) **U.S. Cl.** ..... **D3/284; D3/905; D6/445**

(58) **Field of Classification Search** ..... D3/254,  
D3/260, 273, 276, 280, 283–291, 302, 301,  
D3/303, 905; 220/523, 524, 527; 206/349,  
206/372–379; 190/109, 111, 115, 107, 126,  
190/903; D9/445, 492

See application file for complete search history.

(56) **References Cited**

**U.S. PATENT DOCUMENTS**

D258,175 S *	2/1981	Hazeltine	.....	D3/284
D281,837 S *	12/1985	Lin	.....	D3/284
D318,175 S *	7/1991	Venanzini	.....	D3/284
D333,568 S *	3/1993	Dickinson	.....	D3/286
D517,805 S *	3/2006	Hosking	.....	D3/295
D611,273 S *	3/2010	Kohagen et al.	.....	D3/905
2007/0068835 A1 *	3/2007	Buie, II	.....	206/373

2010/0108549 A1 *	5/2010	Eggers et al.	.....	206/349
2010/0276317 A1 *	11/2010	Grela et al.	.....	206/349
2010/0282629 A1 *	11/2010	Grela	.....	206/372

\* cited by examiner

*Primary Examiner* — Jennifer Rivard

(74) *Attorney, Agent, or Firm* — Wang Law Firm, Inc.; Li K. Wang

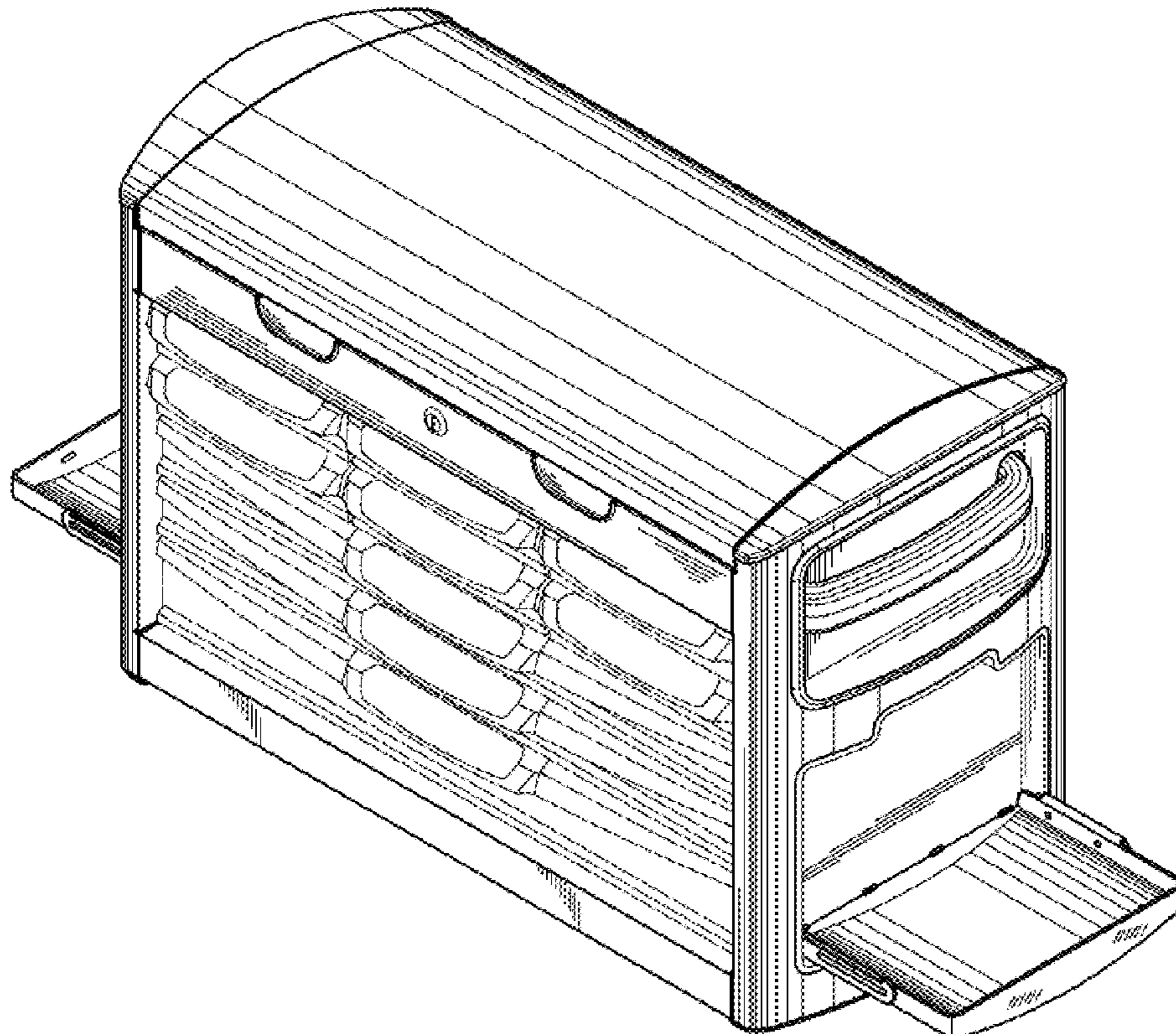
(57) **CLAIM**

The ornamental design for a tool cabinet frame, as shown and described.

**DESCRIPTION**

FIG. 1 is a perspective view of a tool cabinet frame showing my new design;  
 FIG. 2 is a front elevational view thereof;  
 FIG. 3 is a rear elevational view thereof;  
 FIG. 4 is a left side view thereof;  
 FIG. 5 is a right side view thereof;  
 FIG. 6 is a top plan view thereof;  
 FIG. 7 is a bottom plan view thereof; and,  
 FIG. 8 is an environmental perspective view showing a tool cabinet frame in use.  
 The drawers are shown in broken lines for illustrative purposes only and form no part of the claimed design.

**1 Claim, 8 Drawing Sheets**



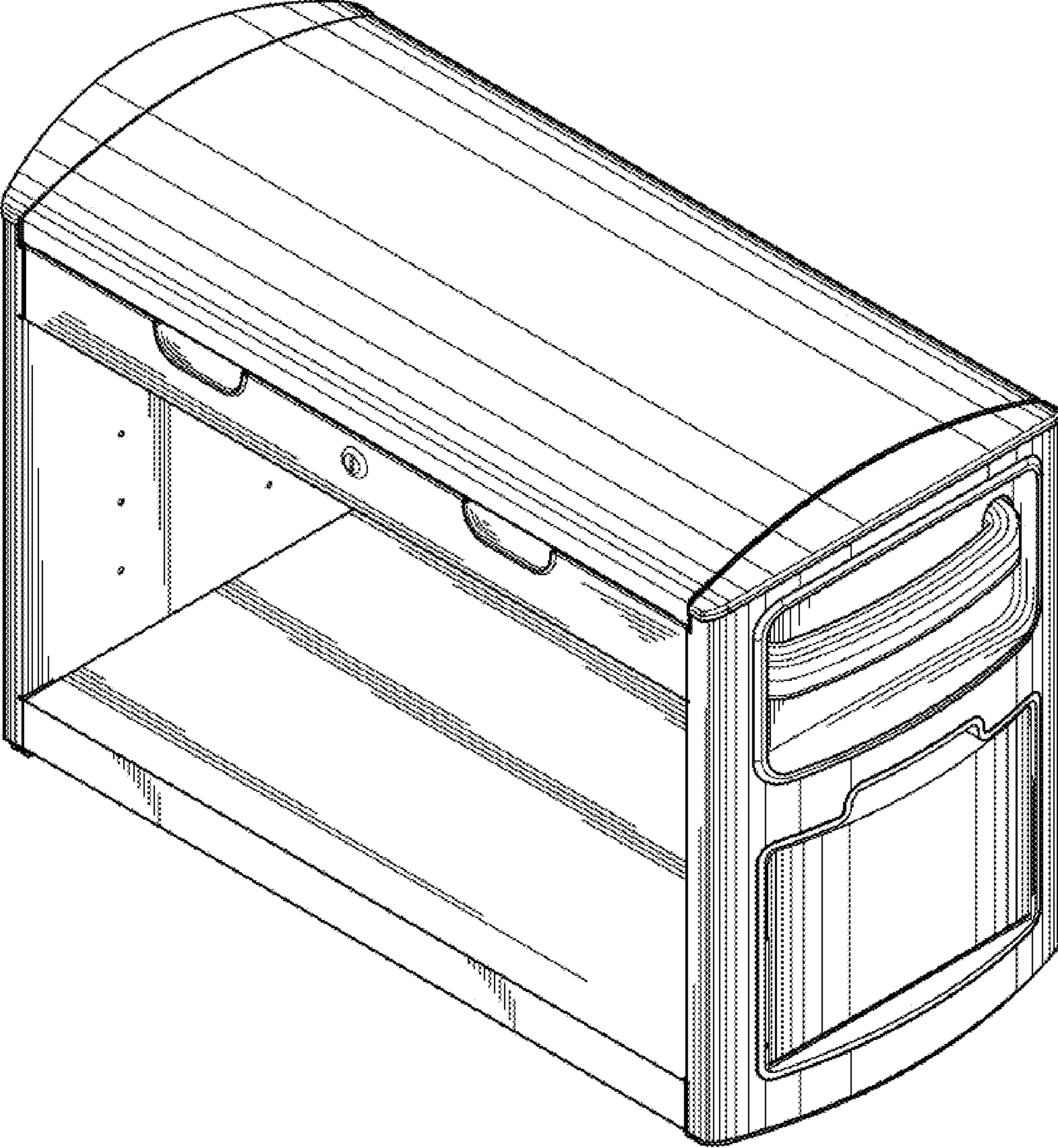


FIG. 1

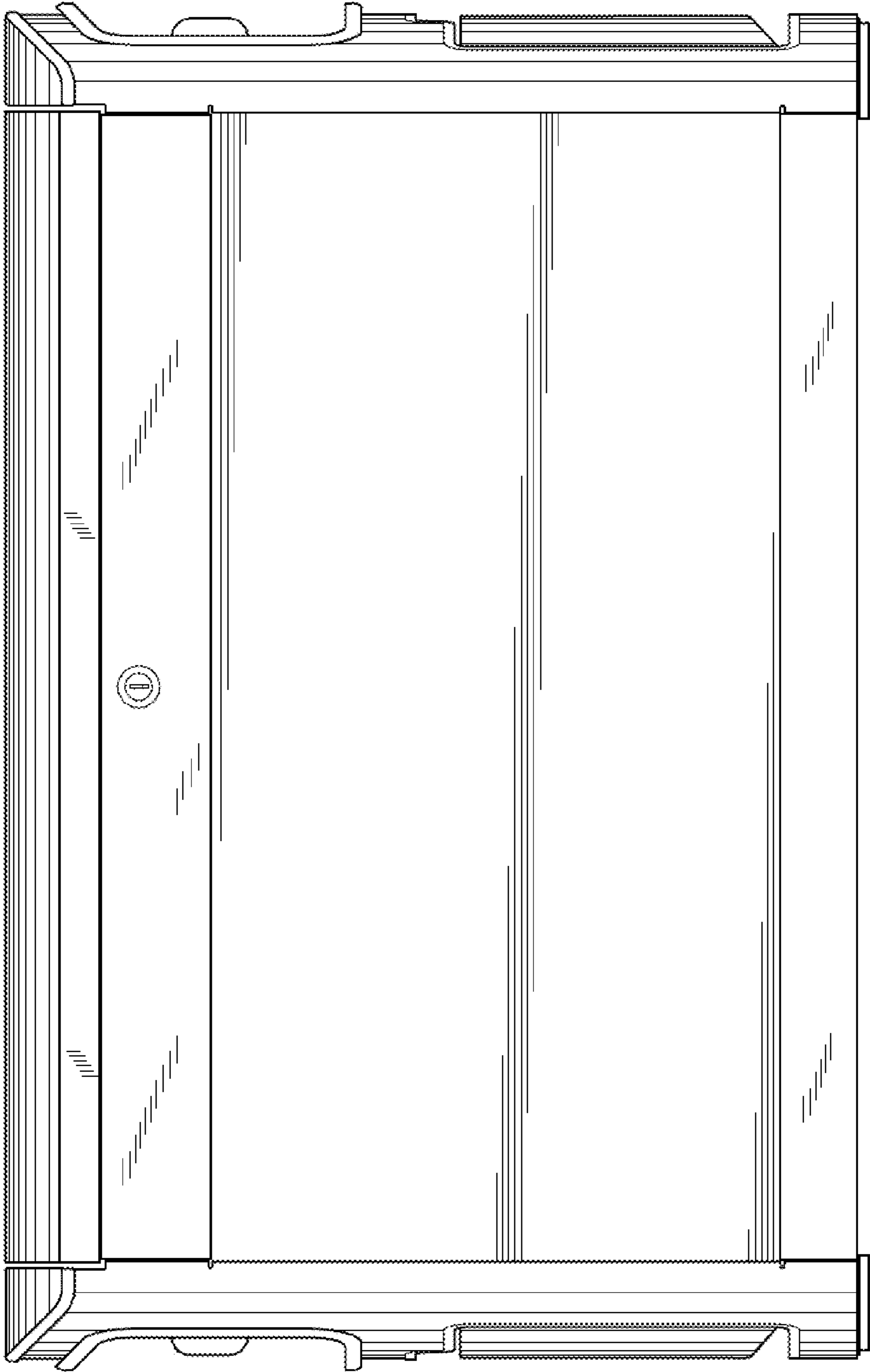


FIG. 2

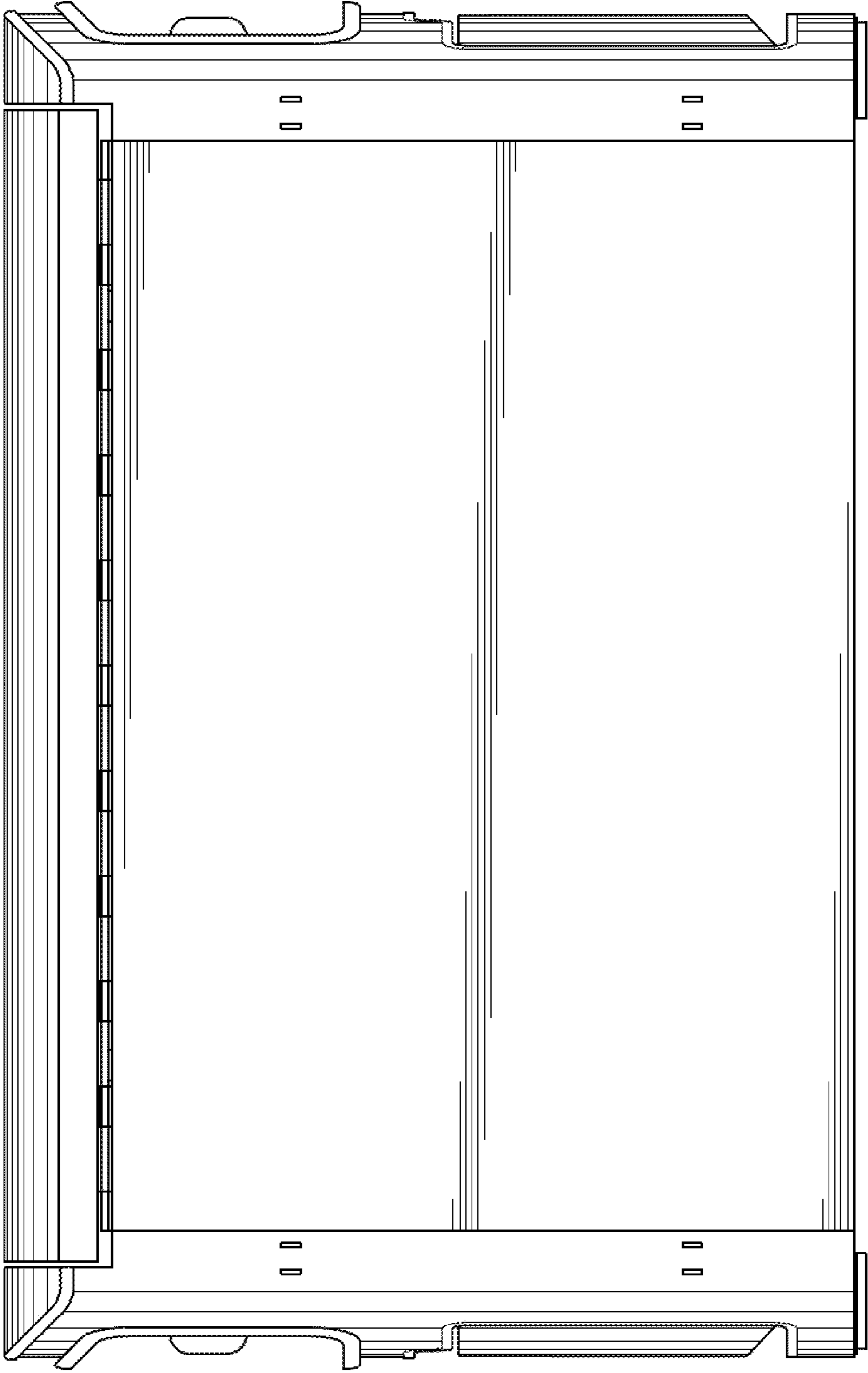


FIG. 3

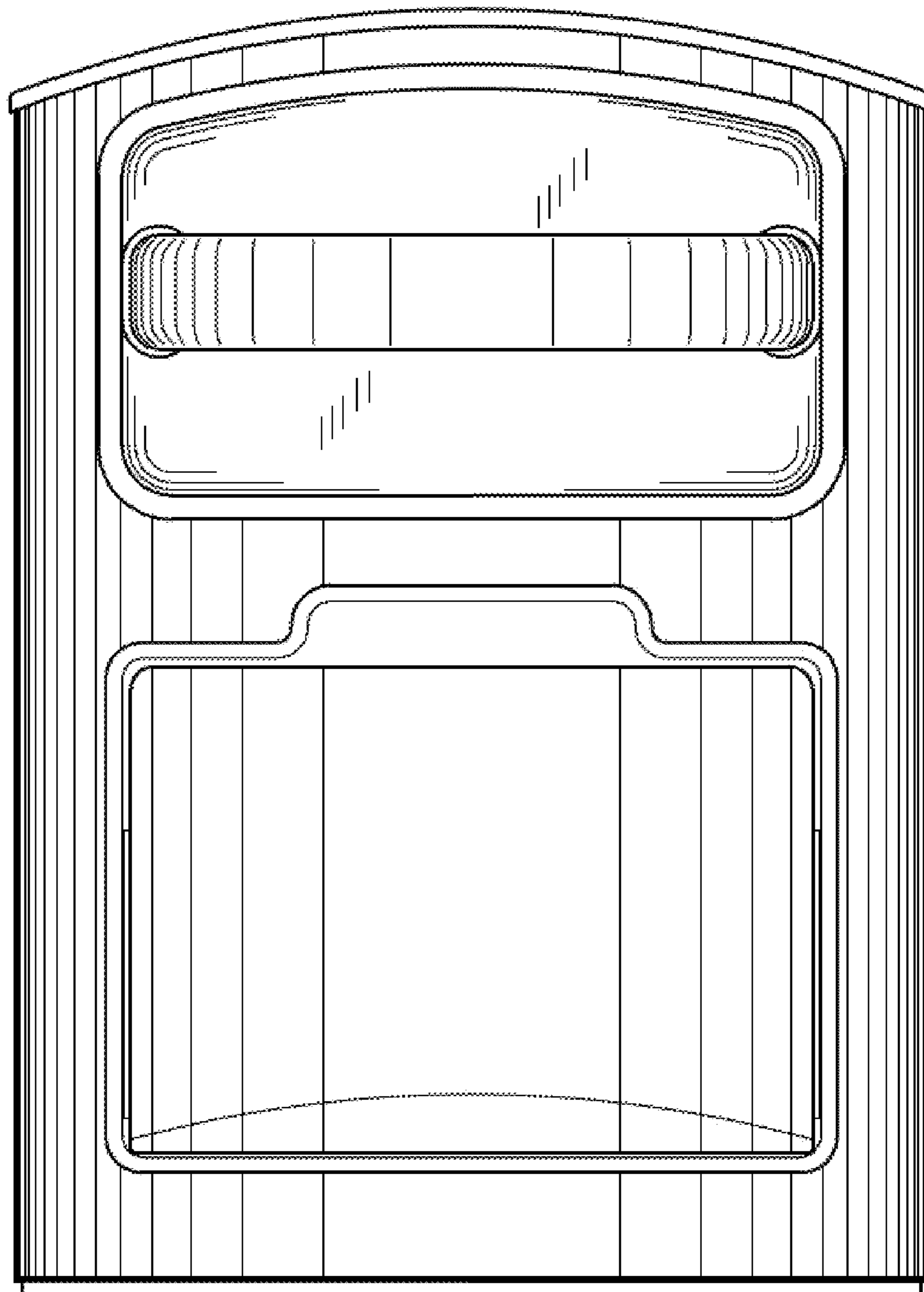


FIG. 4

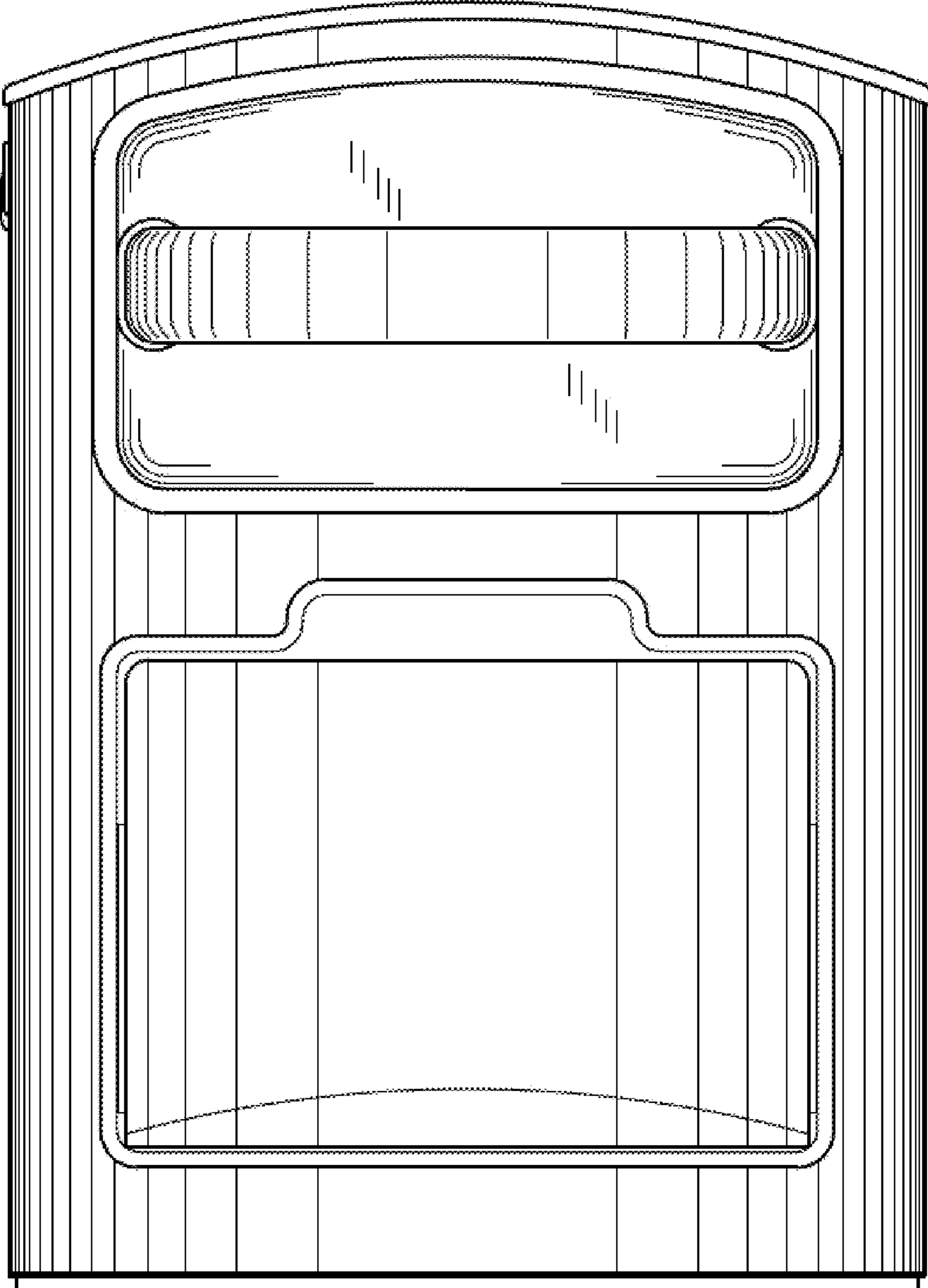


FIG. 5

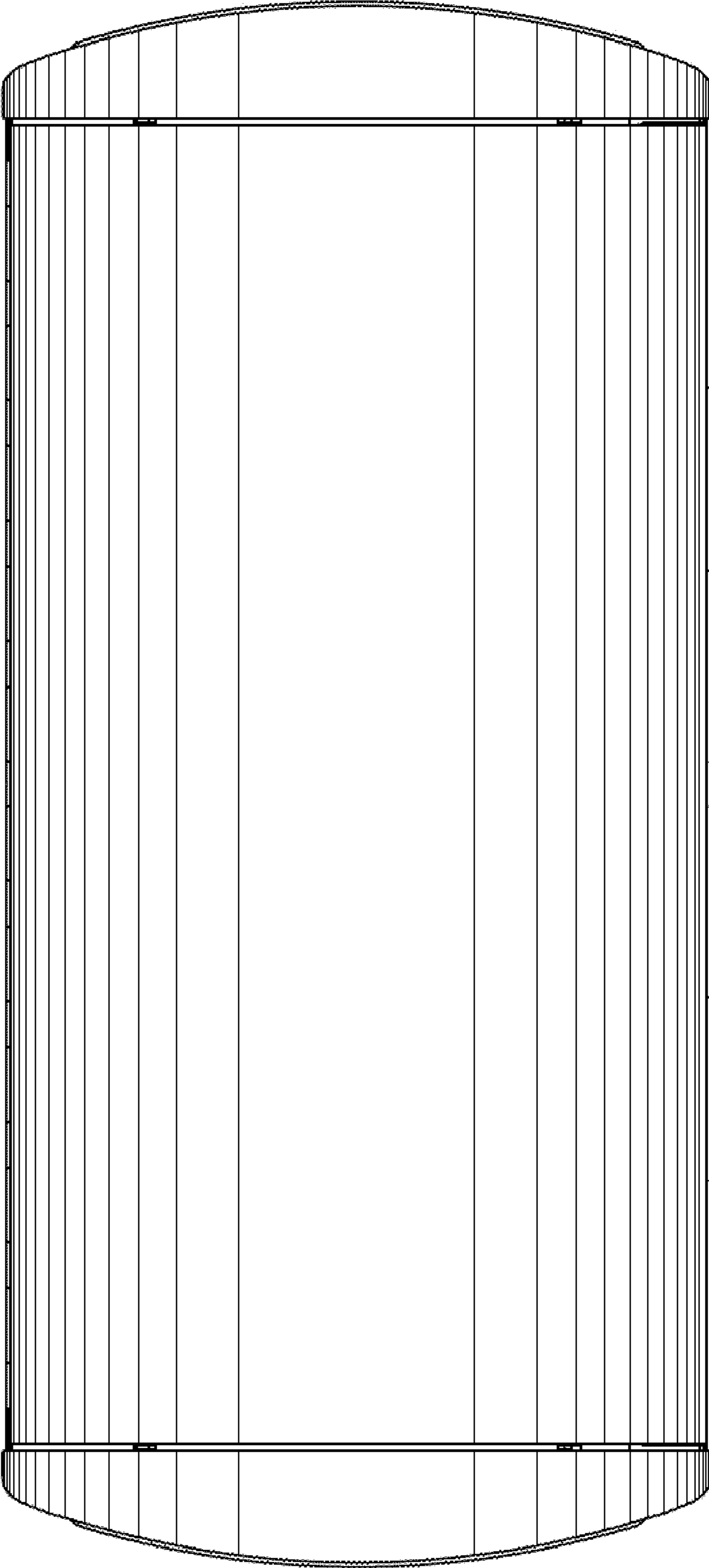


FIG. 6

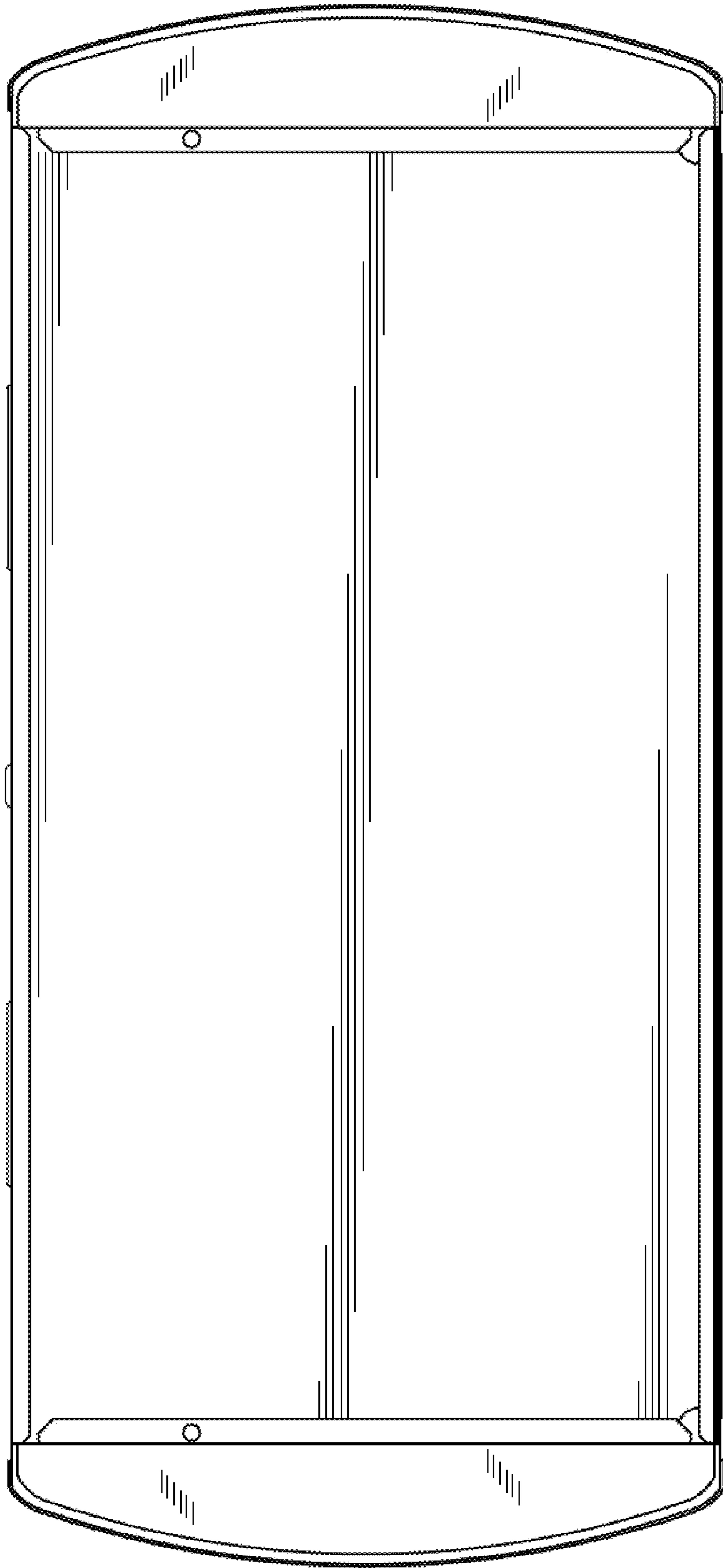


FIG. 7



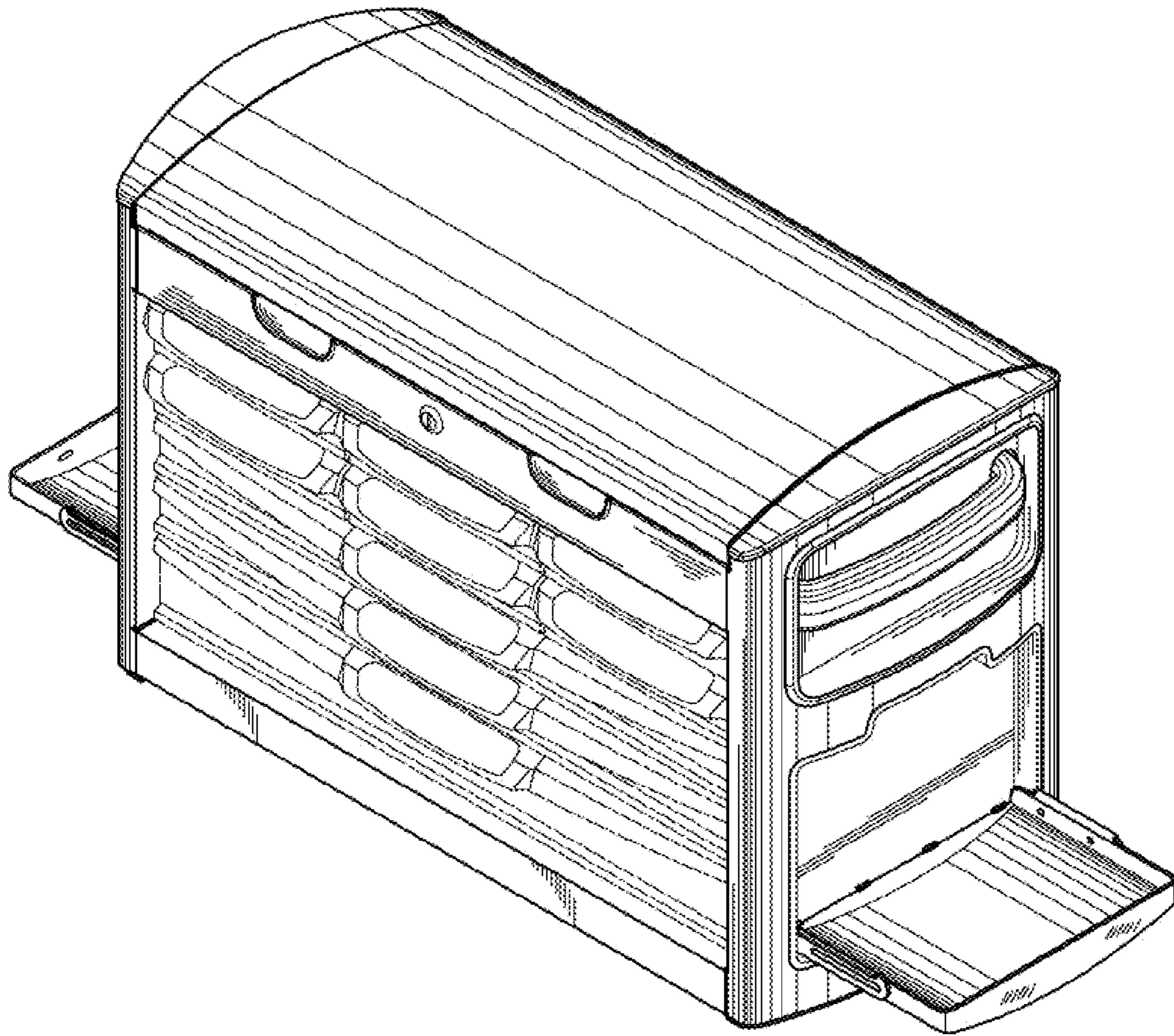


FIG. 8