



US00D645248S

(12) **United States Design Patent**
Osiecki et al.

(10) **Patent No.:** **US D645,248 S**

(45) **Date of Patent:** **** Sep. 20, 2011**

(54) **ARCHIVE BOX**

(75) Inventors: **Scott W. Osiecki**, Skaneateles, NY (US);
Todd B. Abernethy, Skaneateles, NY (US)

(73) Assignee: **John D. Brush & Co., Inc.**, Rochester, NY (US)

(**) Term: **14 Years**

(21) Appl. No.: **29/365,937**

(22) Filed: **Jul. 16, 2010**

(51) **LOC (9) Cl.** **03-01**

(52) **U.S. Cl.** **D3/276; D3/302**

(58) **Field of Classification Search** D3/254,
D3/260, 273, 276, 280, 283-291, 302, 301,
D3/303, 905; 220/523, 524, 527, 4.27; 206/349,
206/372-379, 508, 511
See application file for complete search history.

(56) **References Cited**

U.S. PATENT DOCUMENTS

4,523,692	A *	6/1985	Lemkin	206/508
5,042,674	A *	8/1991	Ramsay et al.	220/4.27
6,431,394	B2 *	8/2002	Frankenberg	206/508
D480,872	S *	10/2003	Welsh et al.	D3/302
D510,802	S *	10/2005	Sagol	D3/273
D513,870	S *	1/2006	Rosine et al.	D3/273
D519,734	S *	5/2006	Richardson et al.	D3/294
D543,030	S *	5/2007	Schafer	D3/272

D565,297	S *	4/2008	Stevens et al.	D3/272
7,464,831	B2 *	12/2008	Aiken	206/508
D627,562	S	11/2010	Osiecki et al.		

OTHER PUBLICATIONS

Cleveland, Terri, P., et al, "System and Stacking Archive Boxes Including a Fire-Resistant Drywall Support Shell," U.S. Appl. No. 12/837,968, filed Jul. 16, 2010.

* cited by examiner

Primary Examiner — Jennifer Rivard

(74) *Attorney, Agent, or Firm* — Woods Oviatt Gilman LLP

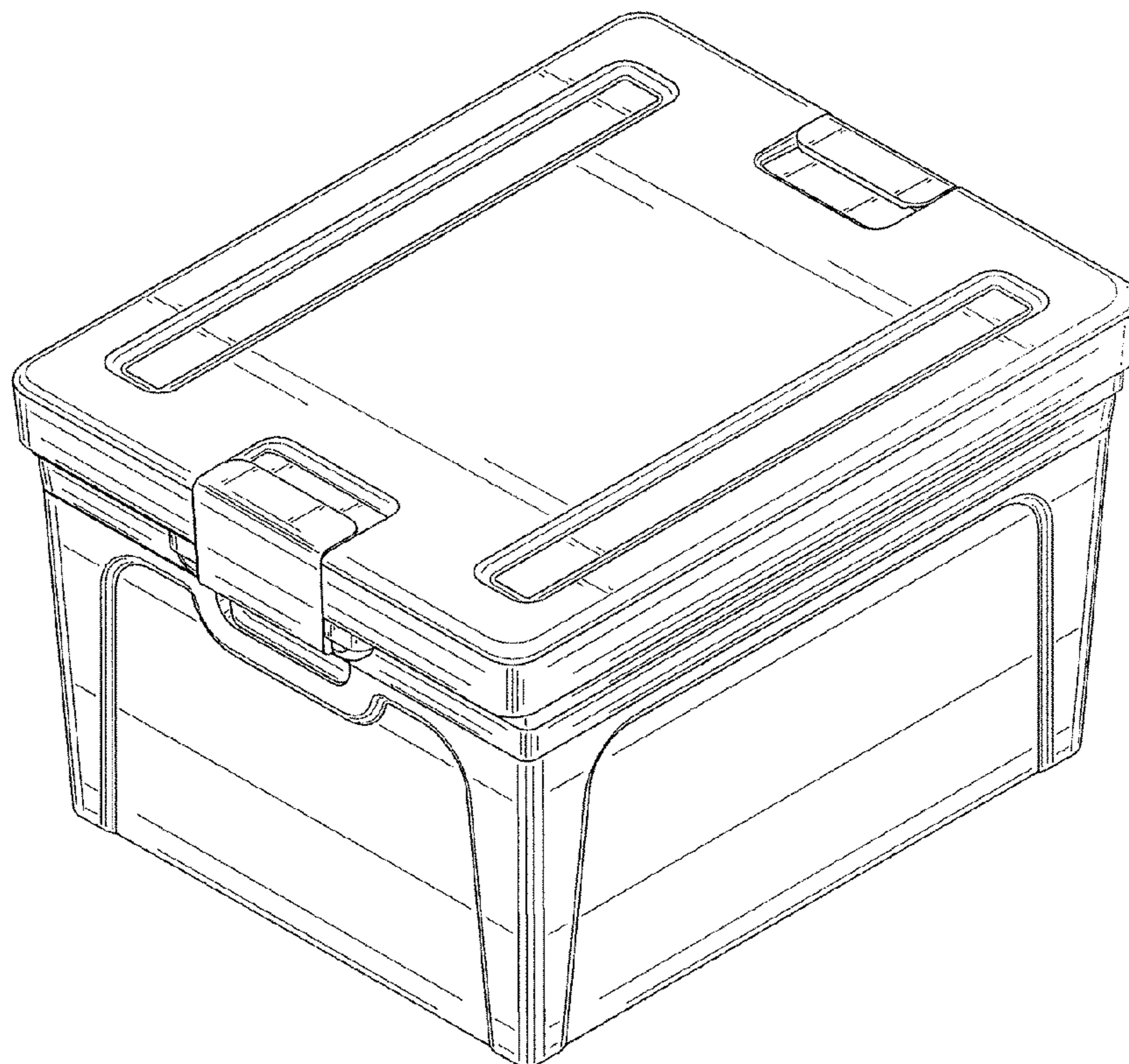
(57) **CLAIM**

The ornamental design for an archive box, as shown and described.

DESCRIPTION

FIG. 1 is a top perspective view of an archive box according to the present invention;
FIG. 2 is a front view of the archive box shown in FIG. 1, the back view being a mirror image;
FIG. 3 is a right side view of the archive box shown in FIG. 1, the left side view being a mirror image;
FIG. 4 is a top view of the archive box shown in FIG. 1;
FIG. 5 is a bottom view of the archive box shown in FIG. 1; and,
FIG. 6 is a bottom perspective view of the archive box shown in FIG. 1.

1 Claim, 3 Drawing Sheets



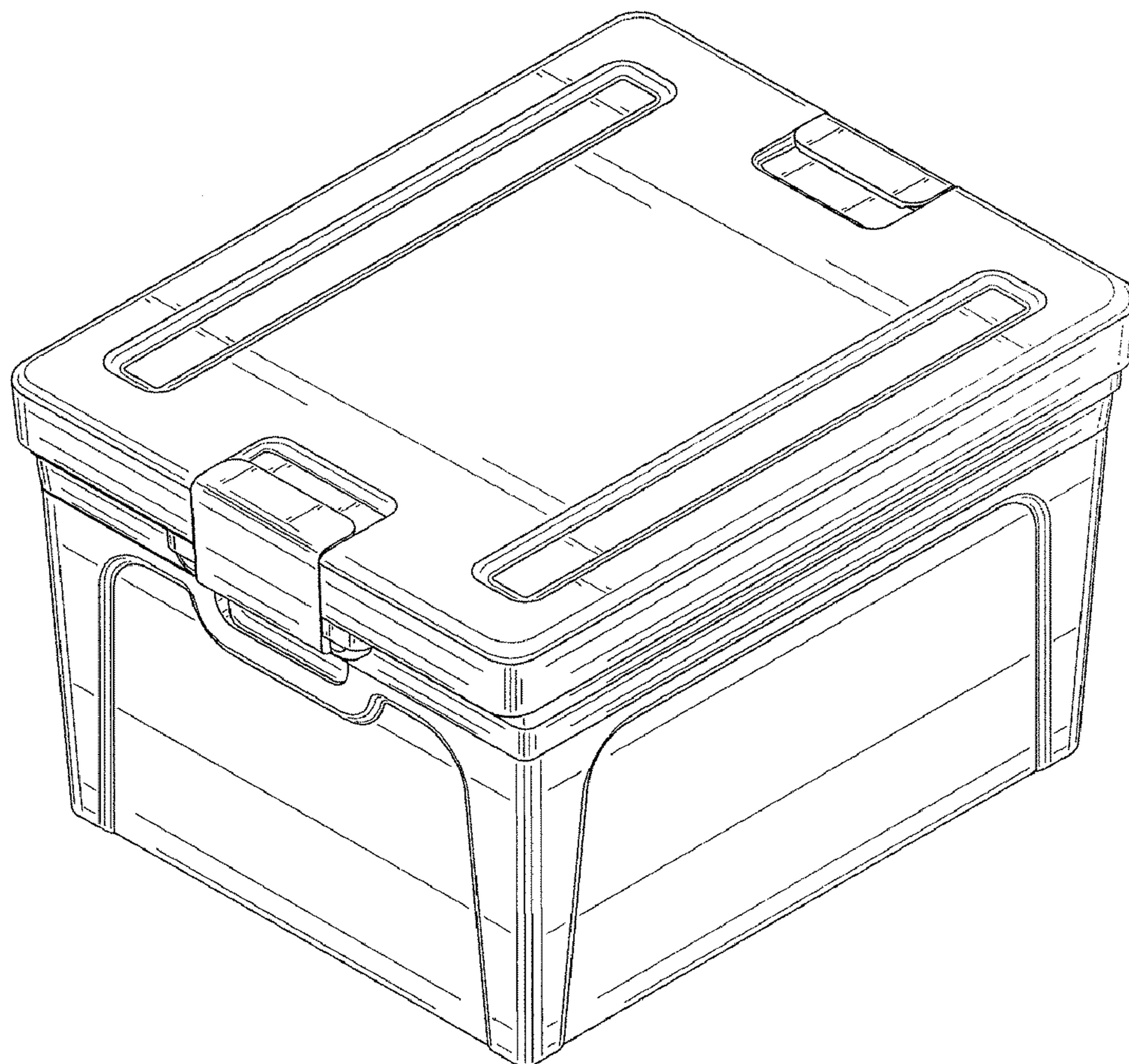


FIG. 1

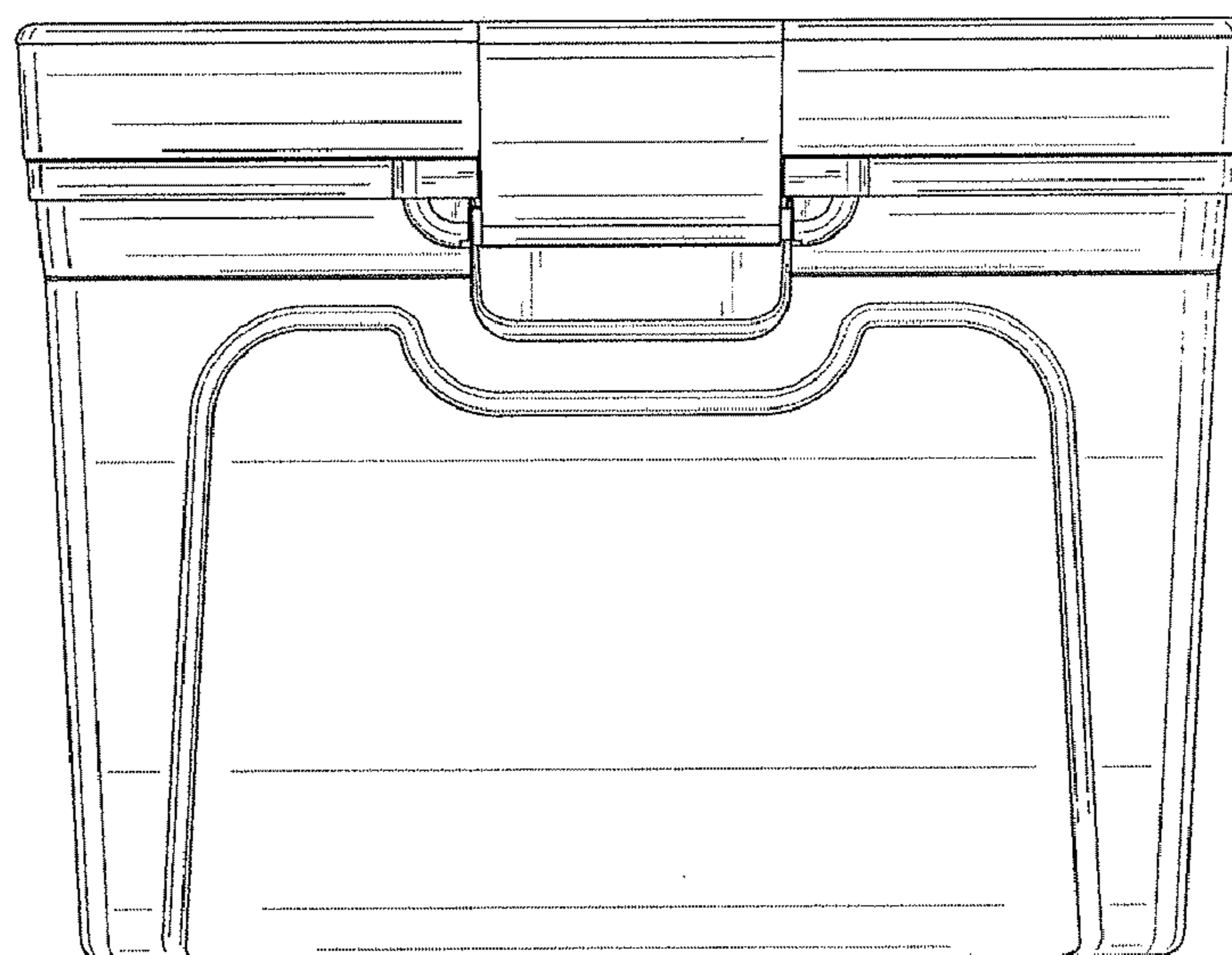


FIG. 2

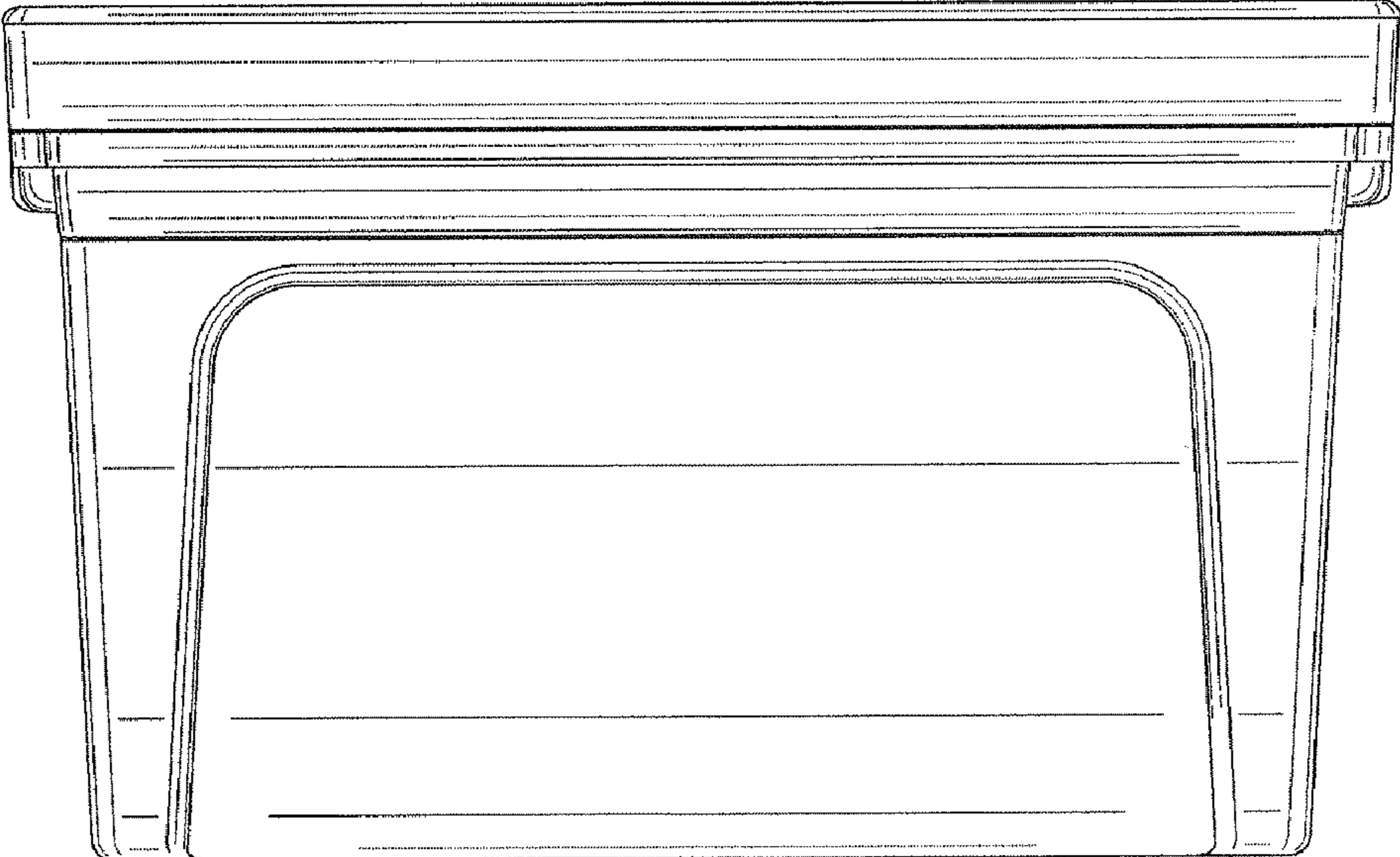


FIG. 3

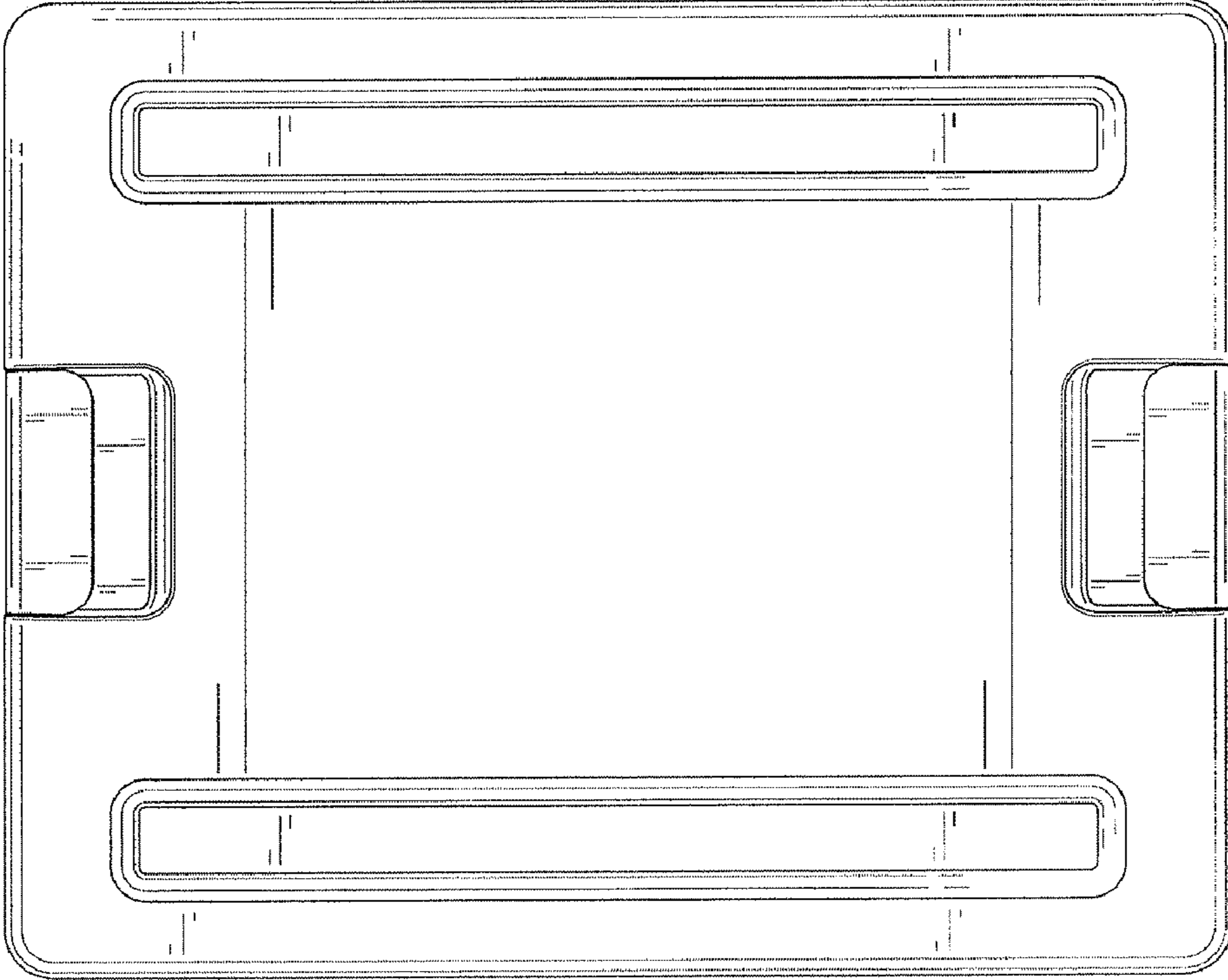


FIG. 4

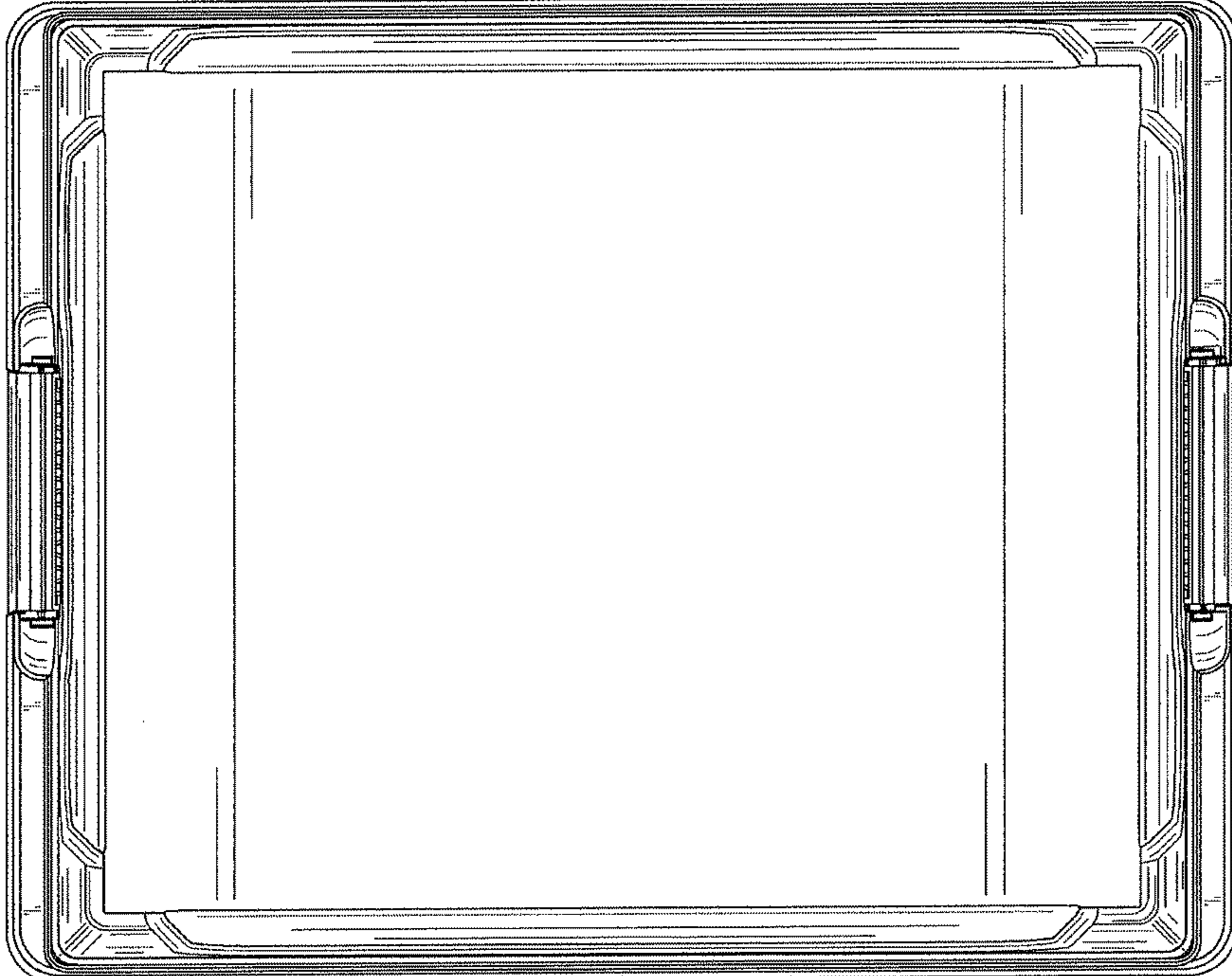


FIG. 5

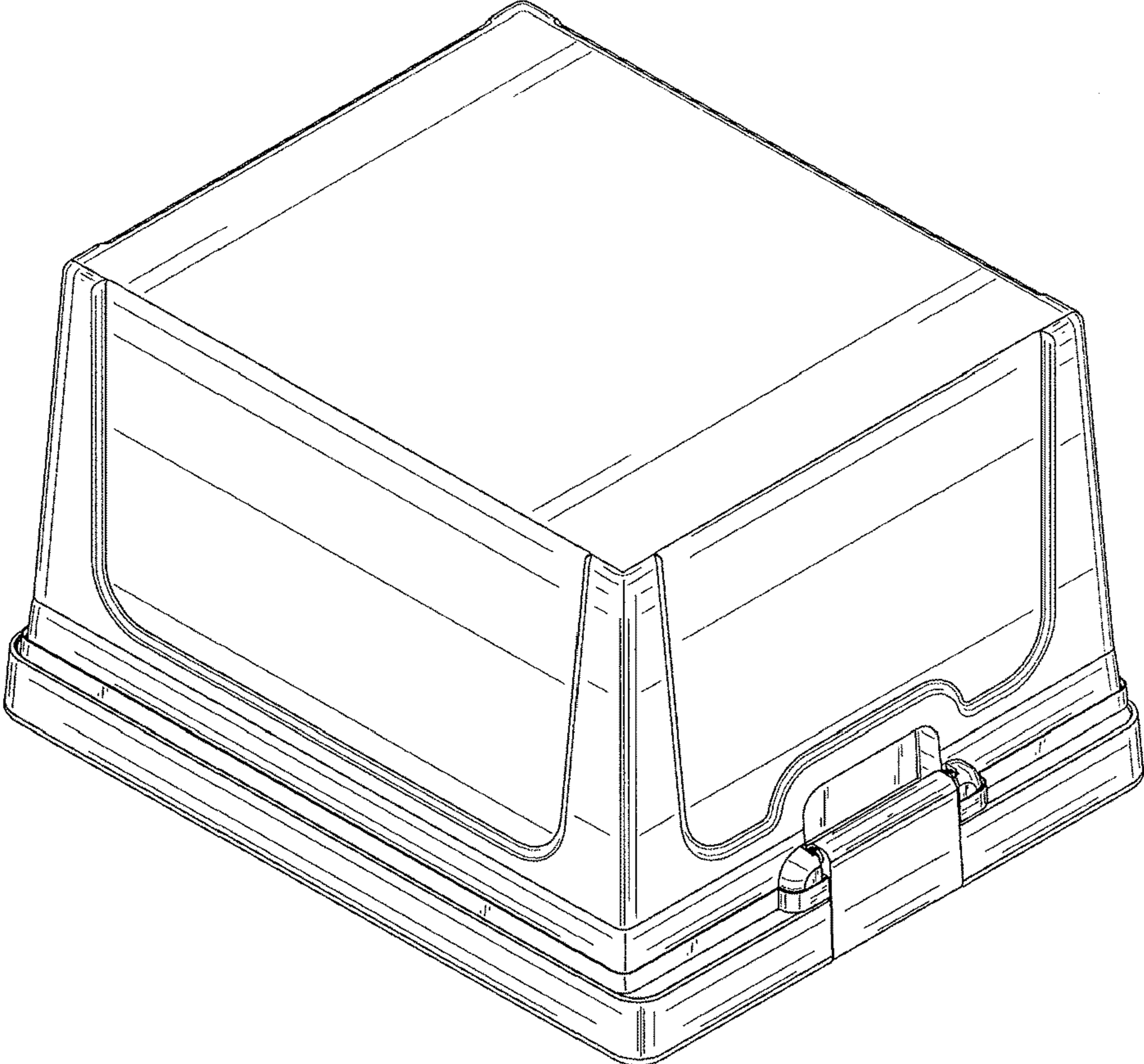


FIG. 6